



US00D437537S

(12) **United States Design Patent**
Carter, Jr.

(10) **Patent No.:** **US D437,537 S**

(45) **Date of Patent:** **** Feb. 13, 2001**

(54) **AIRCRAFT DEEP SOCKET EXTERNAL DRIVE TOOL**

(76) **Inventor:** **James V. Carter, Jr.**, 1251 Hampton Hall Dr., Atlanta, GA (US) 30319

(**) **Term:** **14 Years**

(21) **Appl. No.:** **29/122,528**

(22) **Filed:** **Apr. 28, 2000**

(51) **LOC (7) Cl.** **08-05**

(52) **U.S. Cl.** **D8/29**

(58) **Field of Search** D8/21-29, 14, D8/17; 81/121.1, 124.6, 124.5, 177.2, 177.85, 52, 119, 120, 436, 461

(56) **References Cited**

U.S. PATENT DOCUMENTS

D. 319,955	*	9/1991	Keller et al.	D8/21
D. 324,630	*	3/1992	Moeller	D8/21
D. 329,178	*	9/1992	Ackerman	D8/21
D. 338,380	*	8/1993	Hermanson	D8/29
D. 353,756	*	12/1994	Graves	D8/29

D. 378,655	*	4/1997	Anderson	D8/70
D. 410,367	*	6/1999	Applegate et al.	D8/27
4,836,059	*	6/1989	Arnold	81/121.1
5,257,557	*	11/1993	Batten	81/177.85
5,277,531	*	1/1994	Krivec	81/436

* cited by examiner

Primary Examiner—Prabhakar Deshmukh

(74) *Attorney, Agent, or Firm*—Rodgers & Rodgers

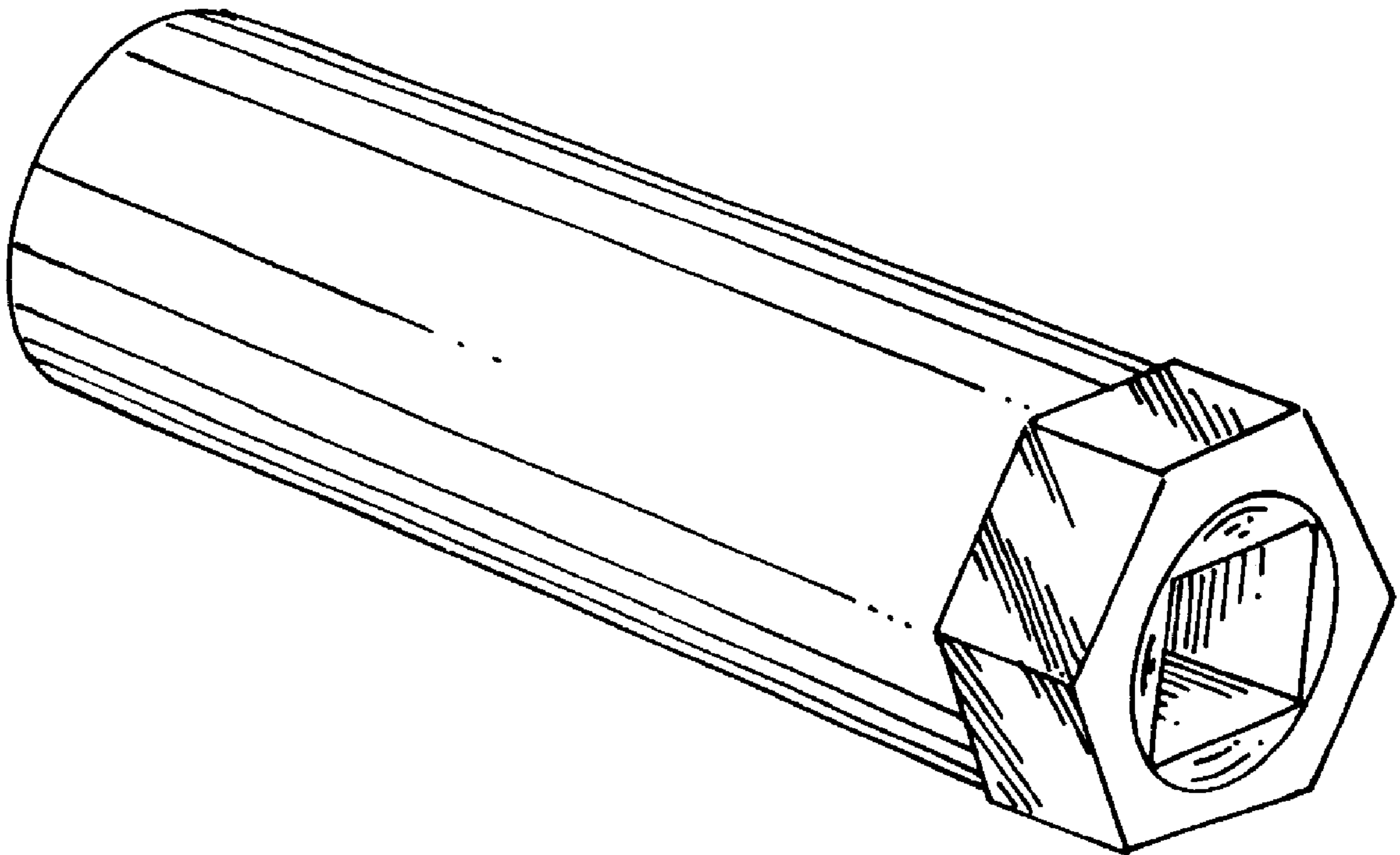
(57) **CLAIM**

The ornamental design for an aircraft deep socket external drive tool, as shown and described.

DESCRIPTION

FIG. 1 is a perspective view of an aircraft deep socket external drive tool showing my new design; FIG. 2 is a right-side elevational view thereof; FIG. 3 is a left-side elevational view thereof; FIG. 4 is a top plan view thereof, the bottom view being a mirror image thereof; and, FIG. 5 is a front elevational view thereof, the rear being a mirror image thereof.

1 Claim, 1 Drawing Sheet



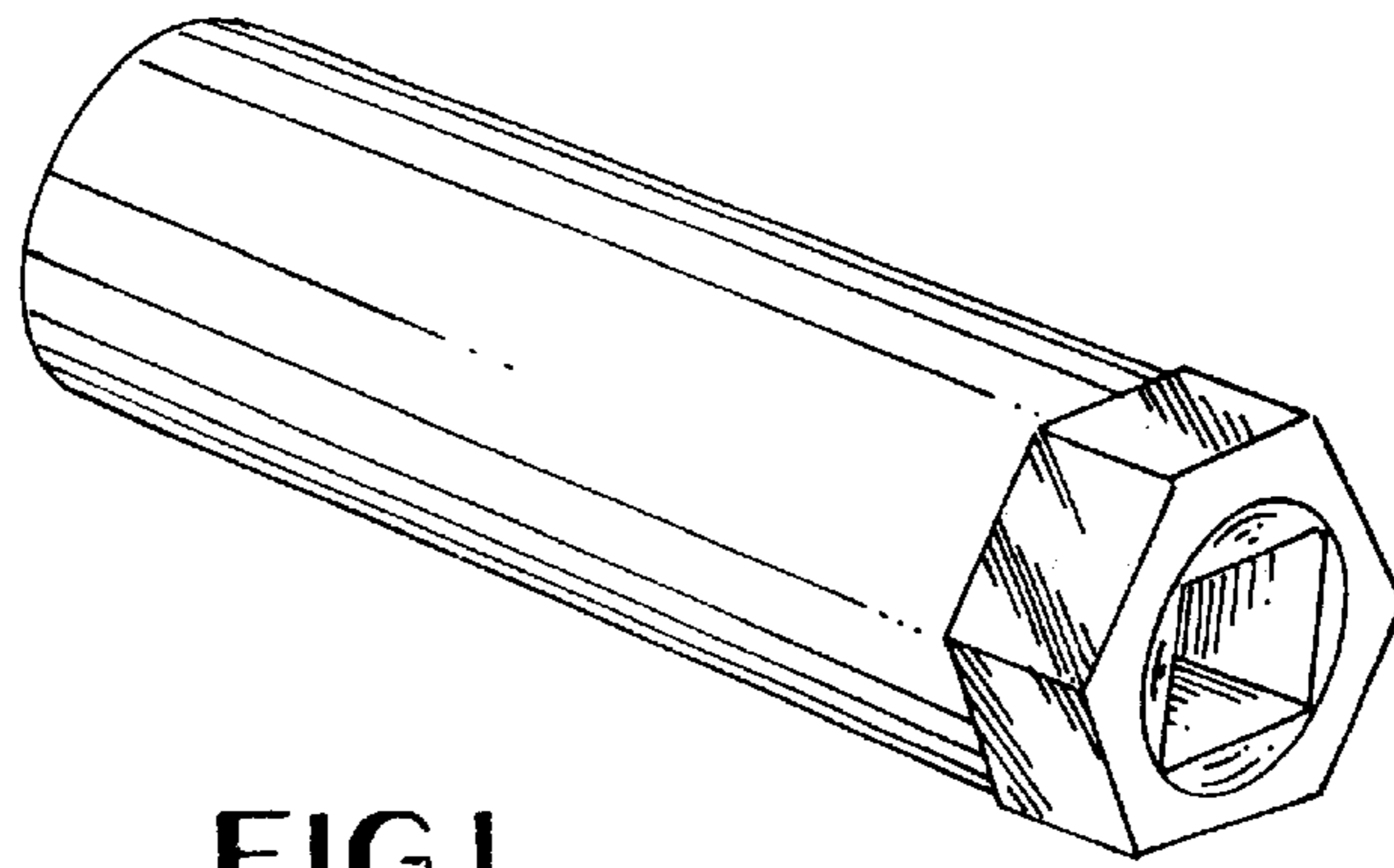


FIG. 1

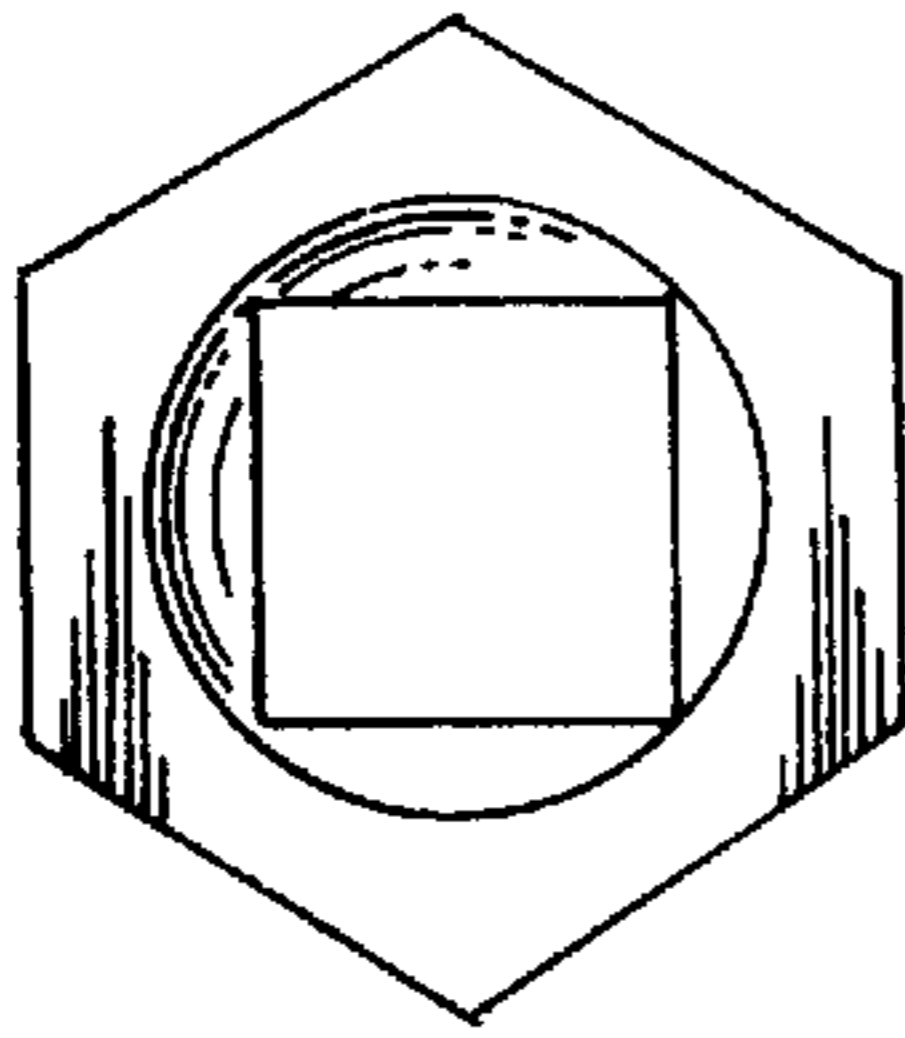


FIG. 2

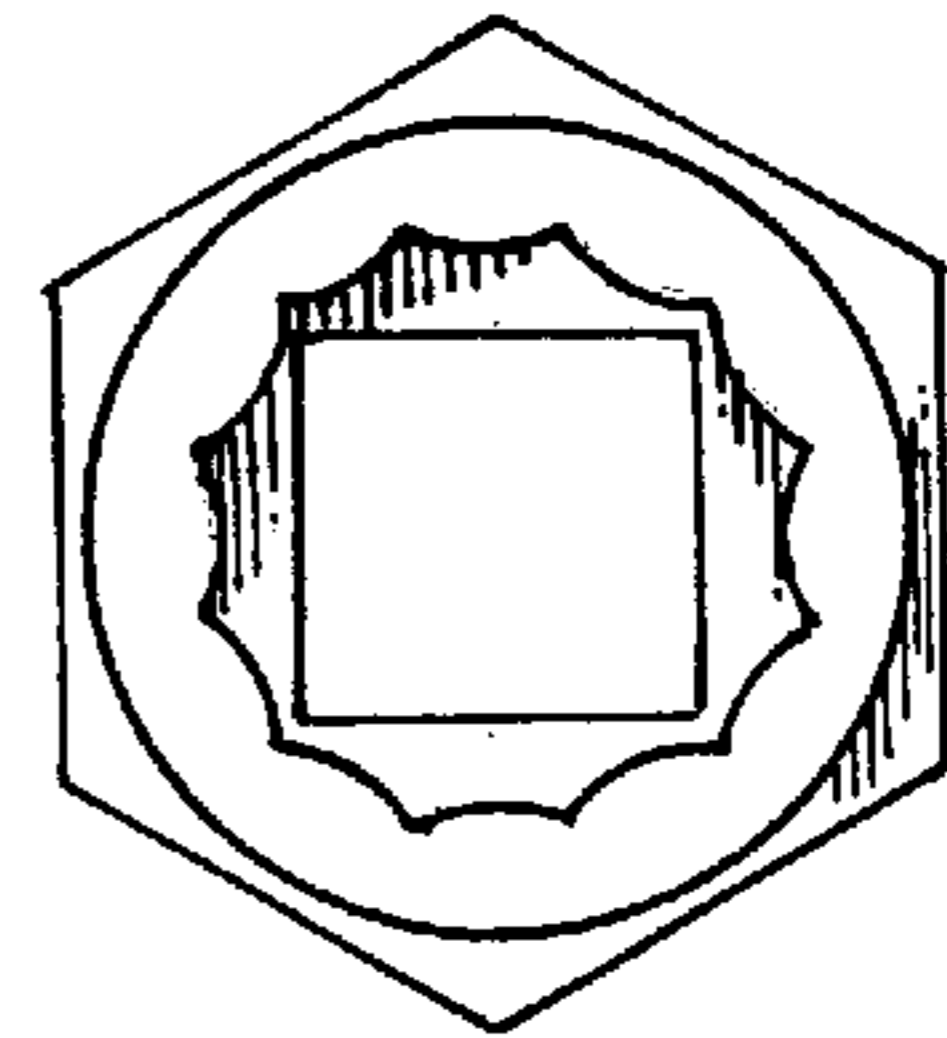


FIG. 3

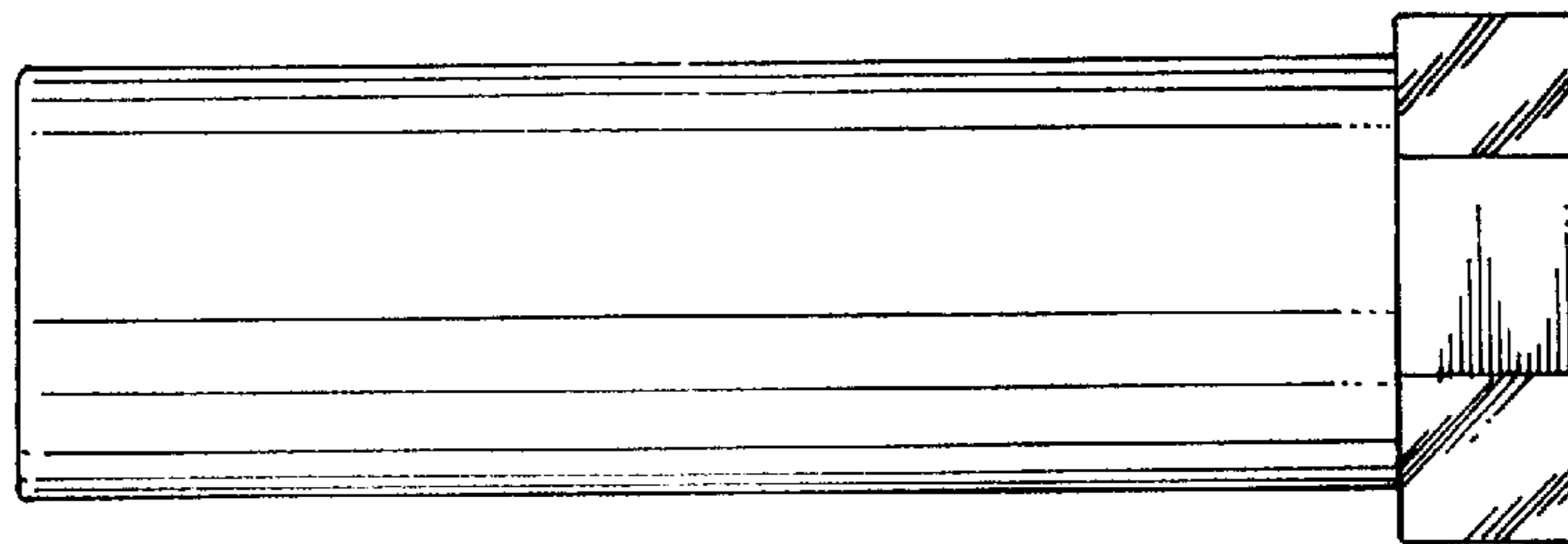


FIG. 4

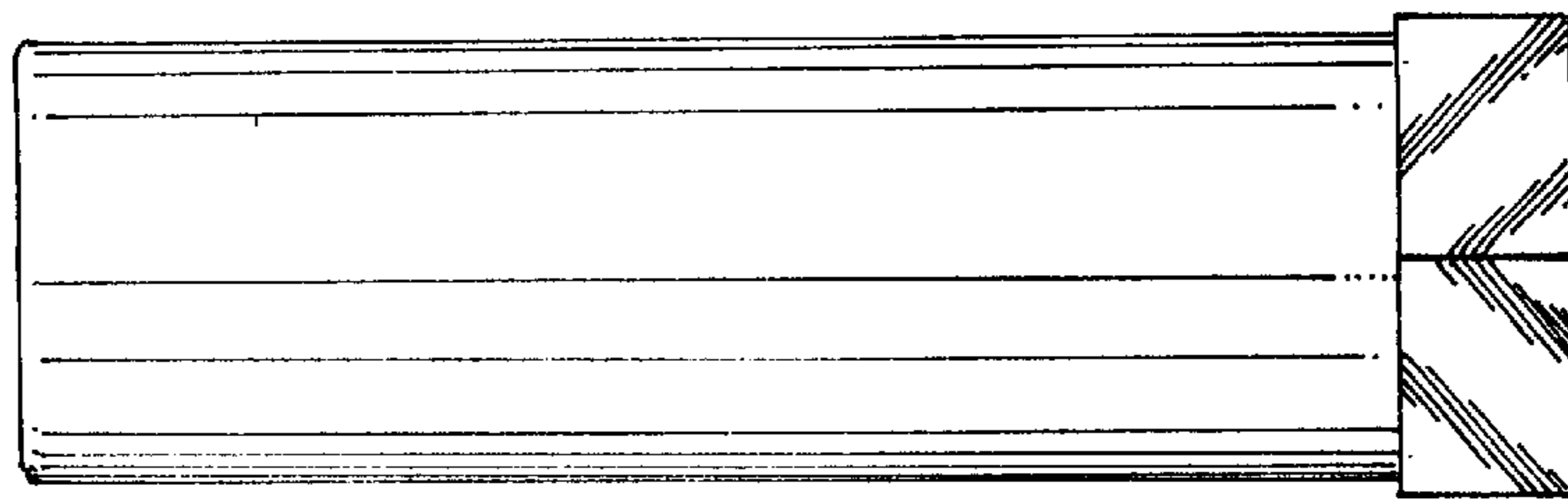


FIG. 5