



US00D437535S

(12) **United States Design Patent**
Boukhny et al.

(10) **Patent No.:** **US D437,535 S**

(45) **Date of Patent:** **** Feb. 13, 2001**

(54) **TIP WRENCH**

5,059,210 10/1991 Clark et al. .
5,115,699 5/1992 Mertens .
5,224,400 7/1993 Maleski .
5,511,451 4/1996 Steen et al. .

(75) Inventors: **Mikhail Boukhny**, Laguna Beach;
Grace C. Liao; **Michael D. Lockwood**,
both of Irvine; **Mel M. Oliveira**,
Huntington Beach, all of CA (US)

FOREIGN PATENT DOCUMENTS

(73) Assignee: **Alcon Universal Ltd.**, Hunenberg (CH)

0 455 180 A1 11/1991 (EP) .
WO 87/00788 2/1987 (WO) .
WO 97/17902 5/1997 (WO) .

(**) Term: **14 Years**

OTHER PUBLICATIONS

(21) Appl. No.: **29/110,385**

Advertisement for the Stealth Phaco Tip and Wrench (Hi-Line Medical), Fall 1992.

(22) Filed: **Sep. 3, 1999**

Advertisement for Reusable Wrench (Myco Industries, Inc.), Fall 1994.

(51) **LOC (7) Cl.** **08-05**

(52) **U.S. Cl.** **D8/21**

(58) **Field of Search** D8/21-29, 82,
D8/83, 84, 85, 86, 87, 107; 81/436, 437,
438, 439, 440, 176.1, 176.2, 52, DIG. 3,
55, 124.4, 121.1, 124.5, 124.2, 13; 16/110 R

* cited by examiner

Primary Examiner—Prabhakar Deshmukh

(74) *Attorney, Agent, or Firm*—Jeffrey S. Schira

(56) **References Cited**

(57) **CLAIM**

The ornamental design for a tip wrench, as shown and described.

U.S. PATENT DOCUMENTS

DESCRIPTION

D. 321,461	11/1991	Hamilton .	
D. 351,095	10/1994	Casica et al. .	
D. 353,315	* 12/1994	Romeo	D8/21
D. 359,669	* 6/1995	Splingaire	D8/29
D. 422,474	* 4/2000	Shiao	D8/21
D. 425,770	* 5/2000	Hsich	D8/29
2,598,060	* 5/1952	Kadesky	606/166
2,834,241	* 5/1958	Chowning	81/125
2,966,083	12/1960	Cheney .	
3,204,496	9/1965	Ingram .	
3,238,822	* 3/1966	Zuracki	81/3.8
3,398,612	8/1968	Batten .	
3,678,789	7/1972	Wilson .	
4,329,892	* 5/1982	Daigle	81/55
4,832,021	5/1989	Kuhl et al. .	
4,884,478	12/1989	Lieser .	
5,057,119	10/1991	Clark et al. .	

FIG. 1 is a perspective view of a tip wrench showing our new design;

FIG. 2 is a front elevational view thereof; the rear elevational view being a mirror image thereof;

FIG. 3 is a left side elevational view thereof; the right side elevational view being a mirror image thereof;

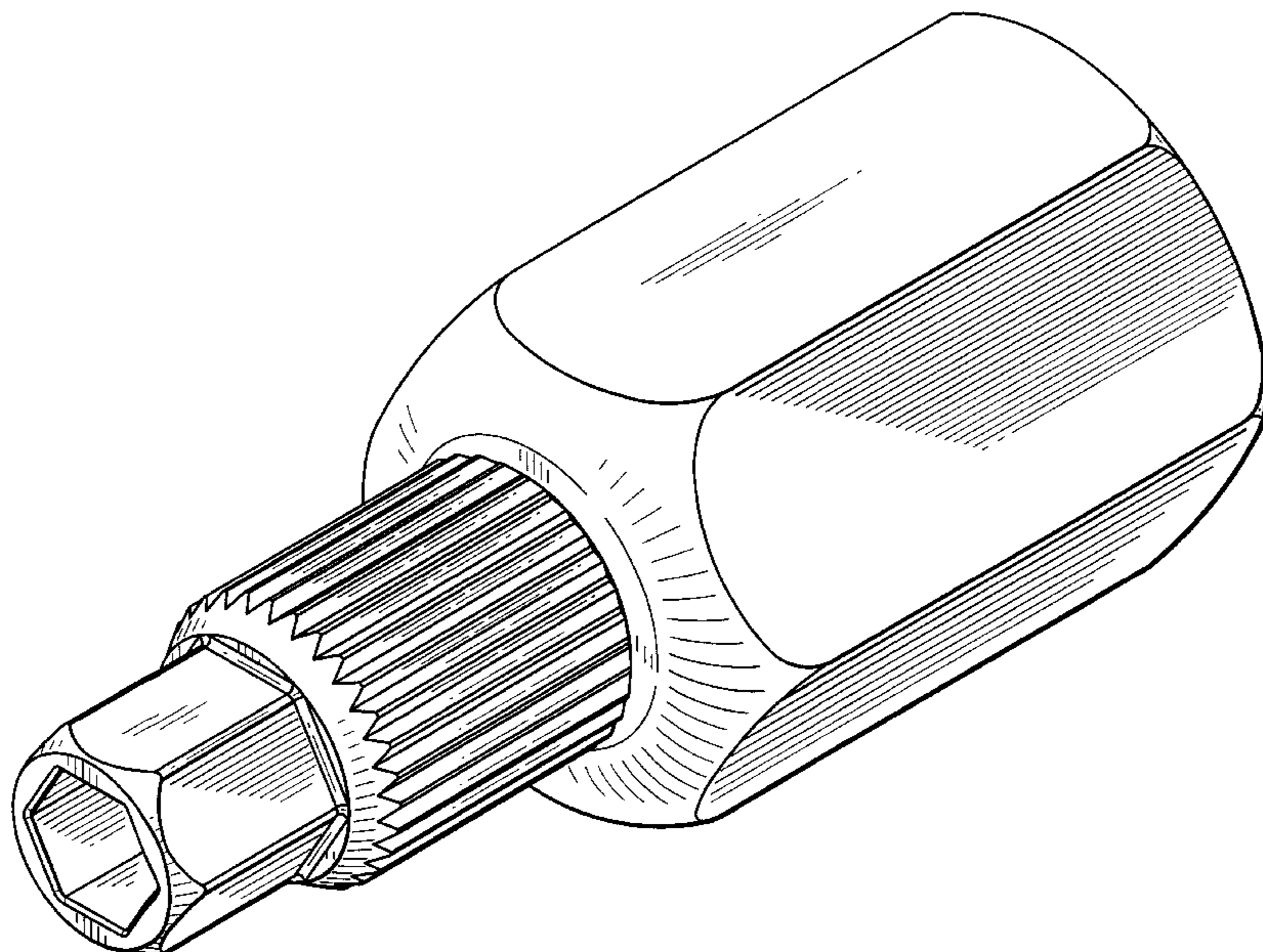
FIG. 4 is a bottom plan view thereof;

FIG. 5 is a top plan view thereof;

FIG. 6 is an exploded bottom, left, and front side perspective view thereof; and,

FIG. 7 is an exploded top, right, and rear side perspective view thereof.

1 Claim, 6 Drawing Sheets



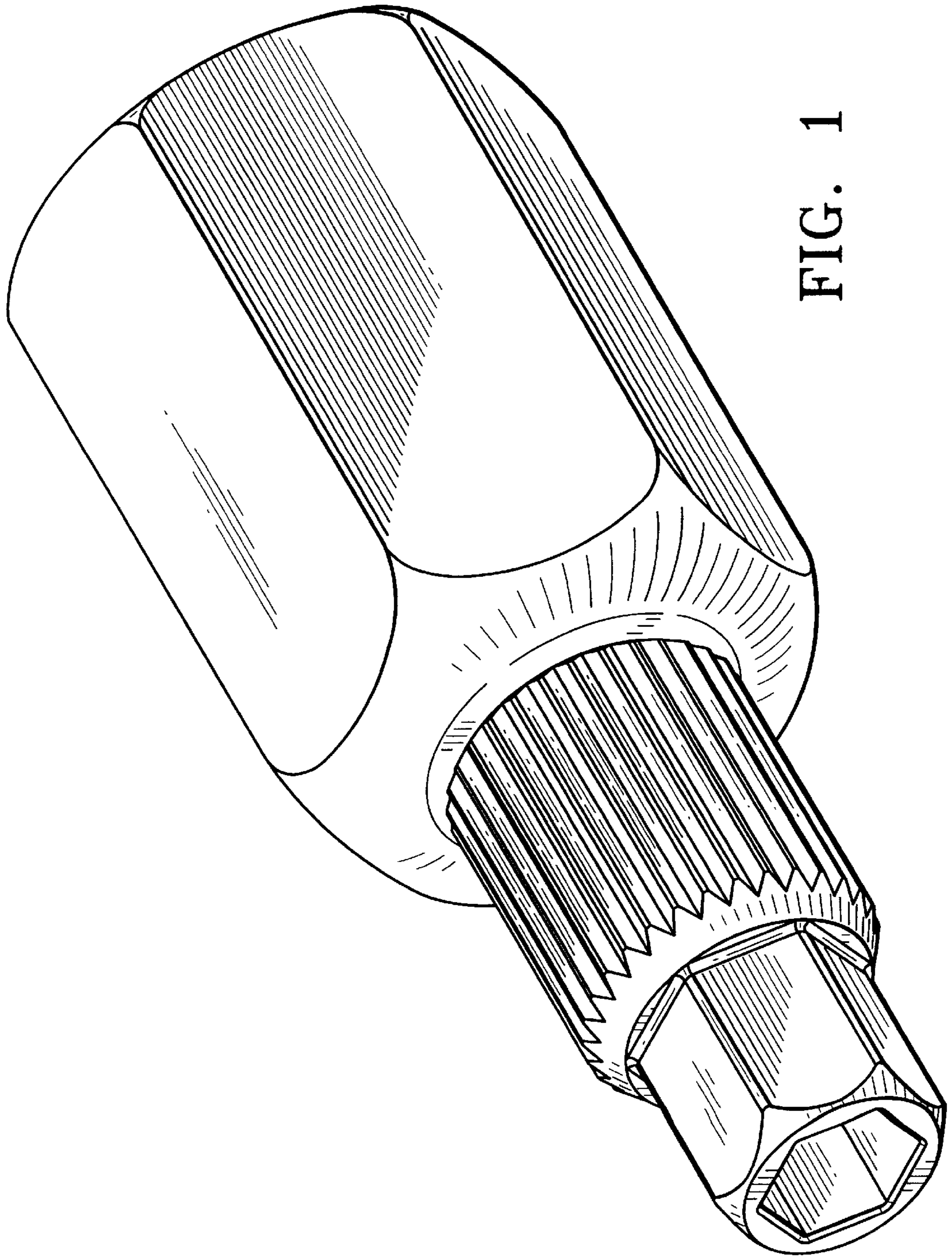


FIG. 1

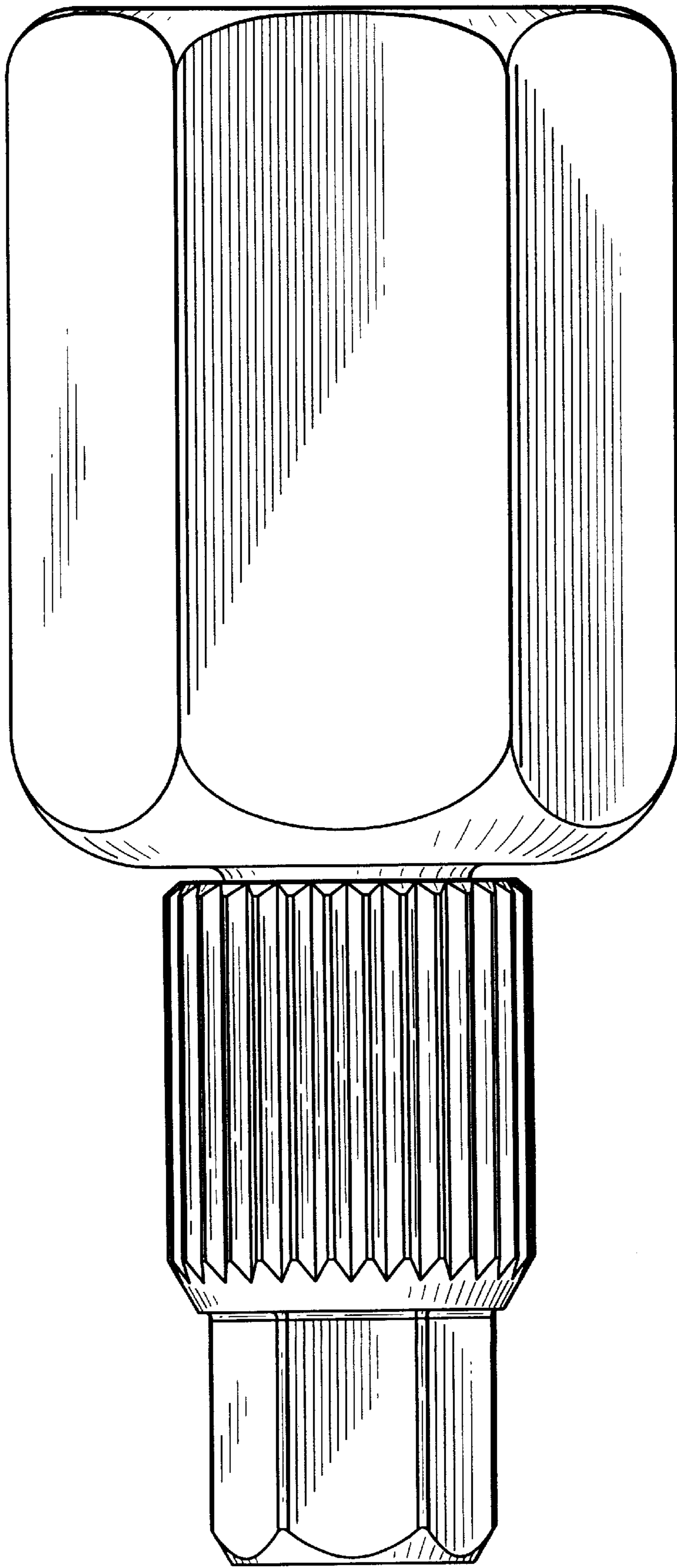


FIG. 2

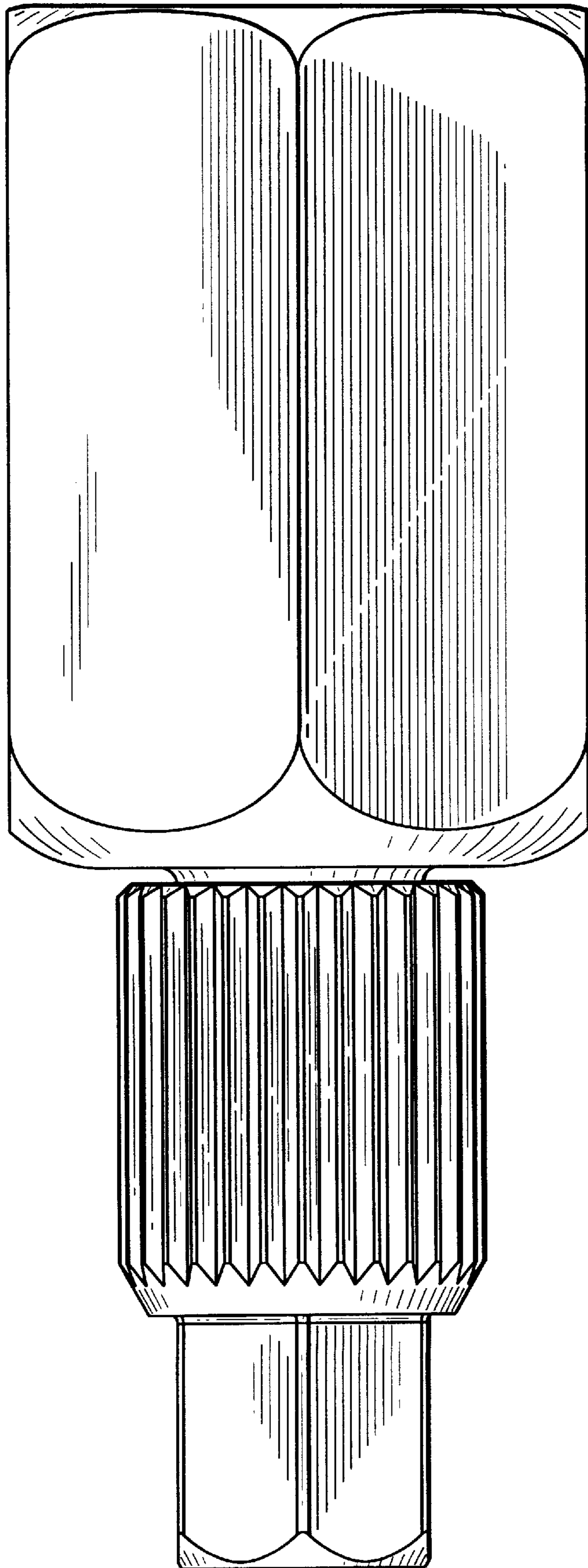


FIG. 3

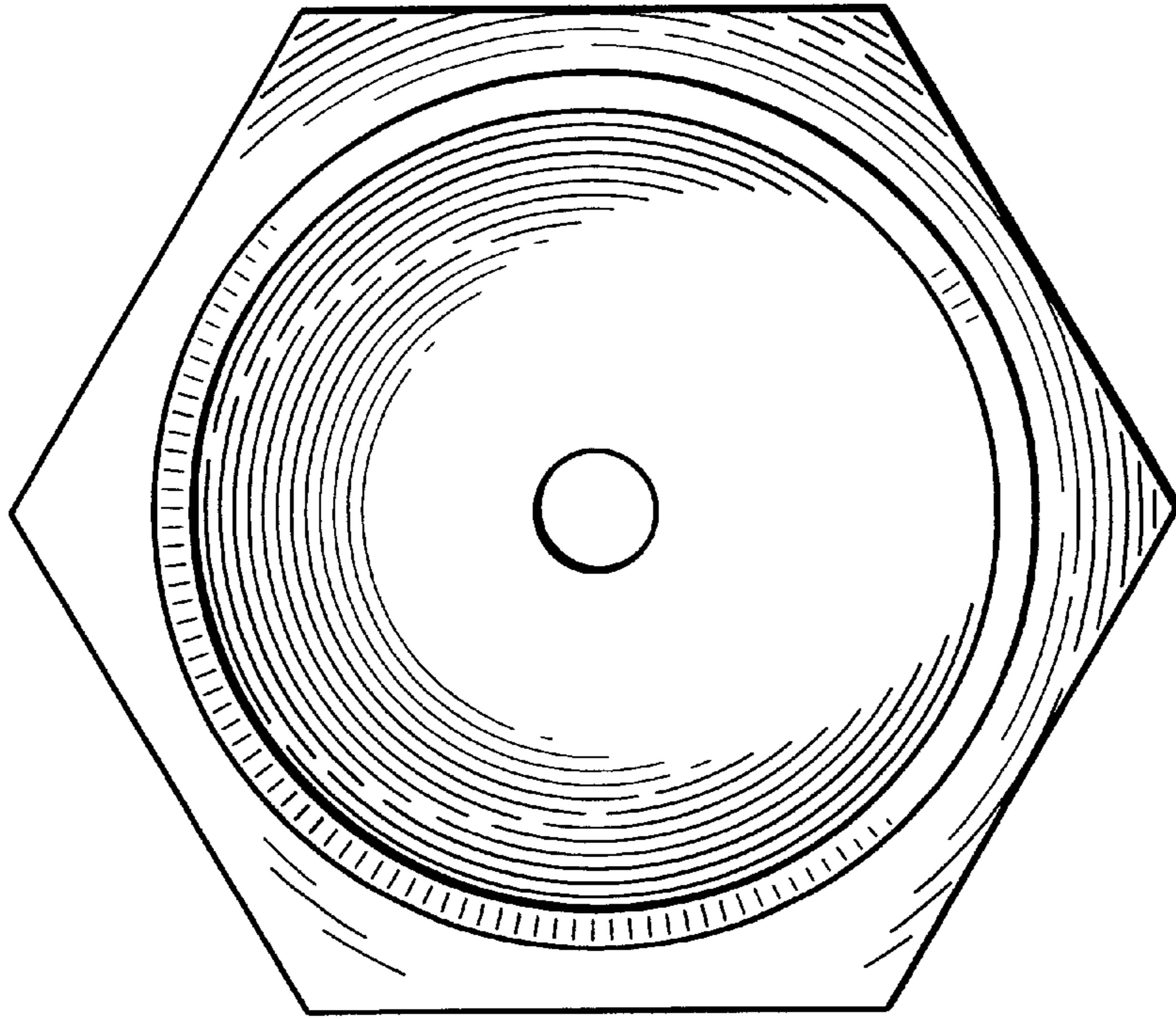


FIG. 5

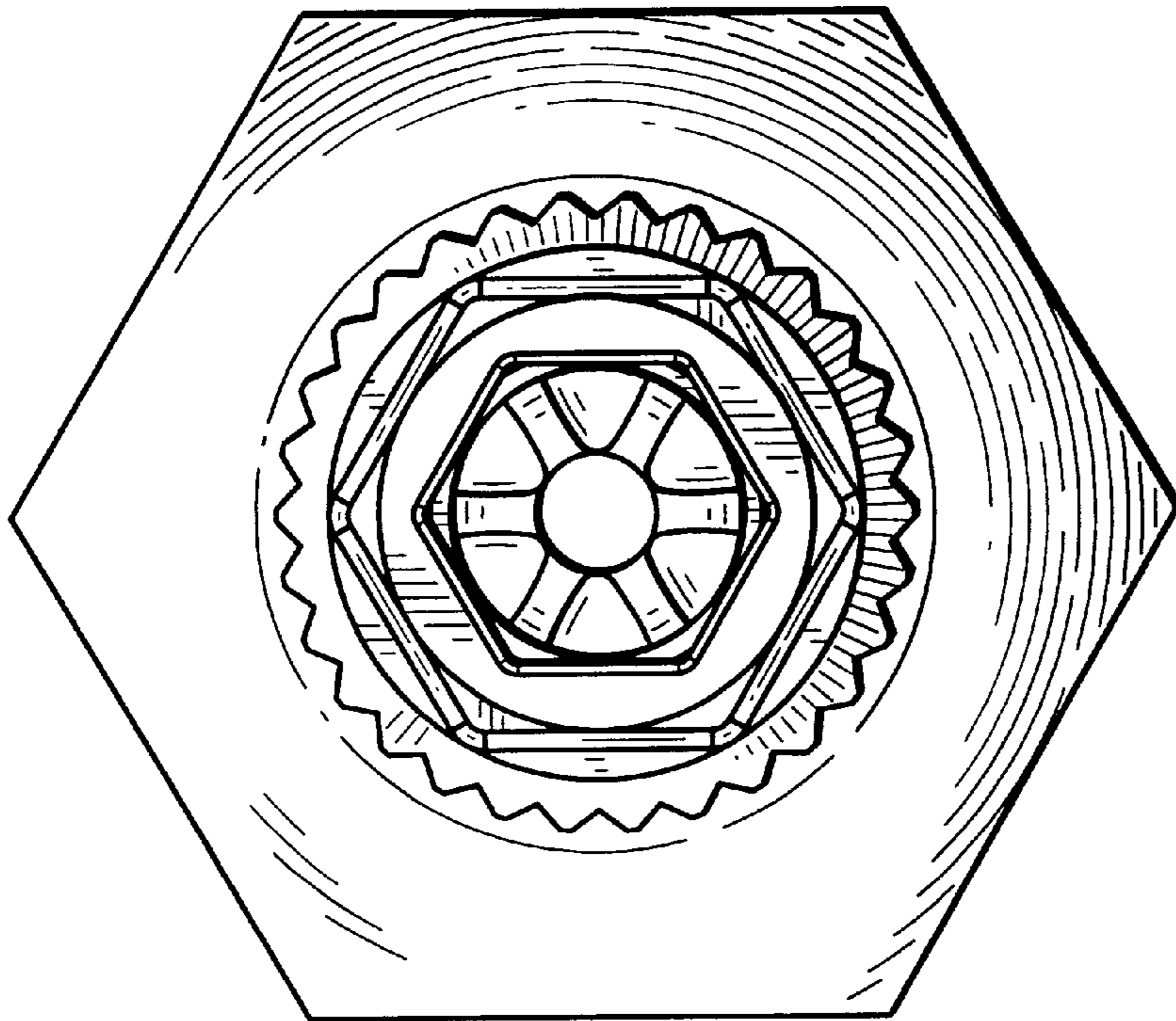


FIG. 4

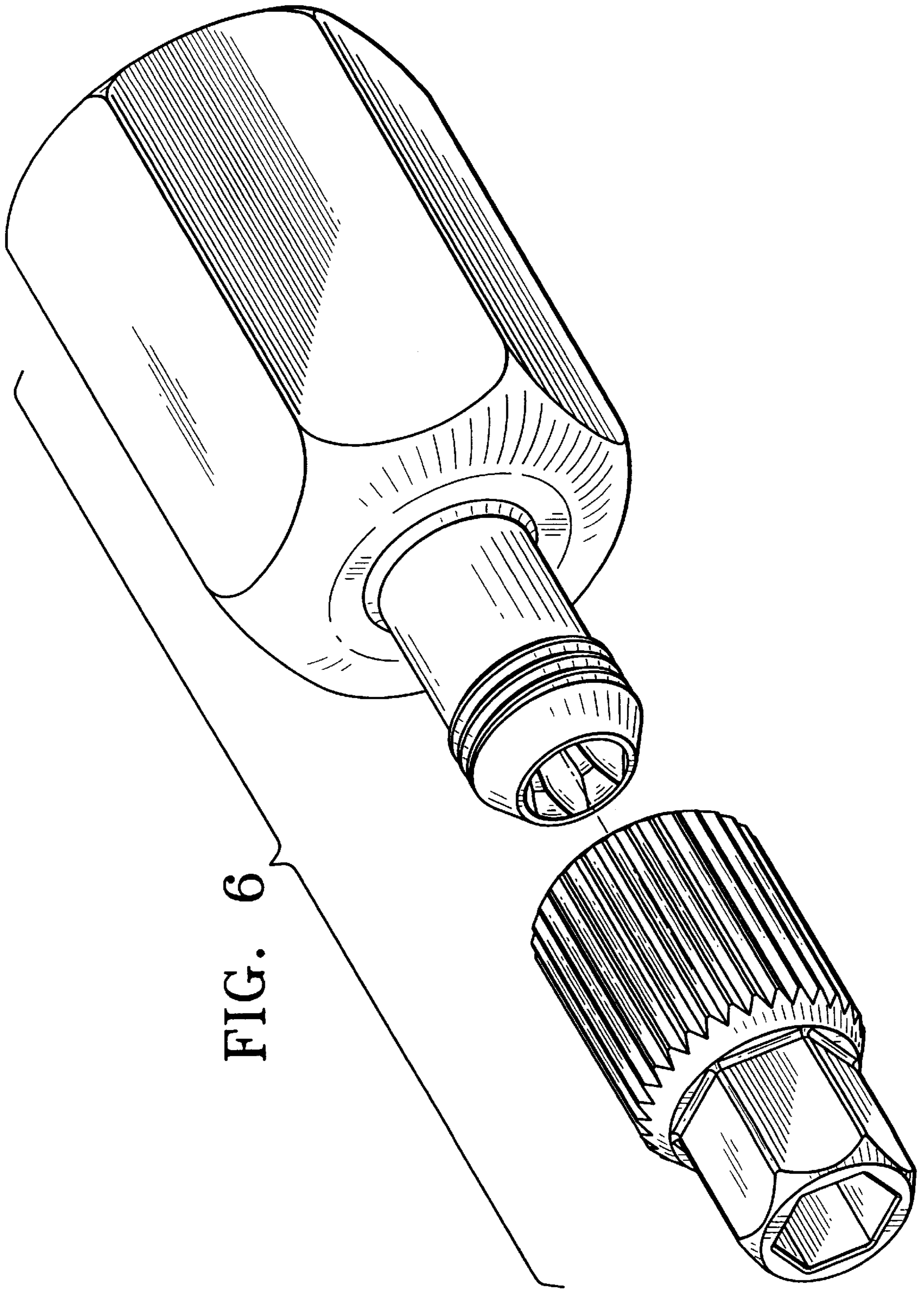


FIG. 6

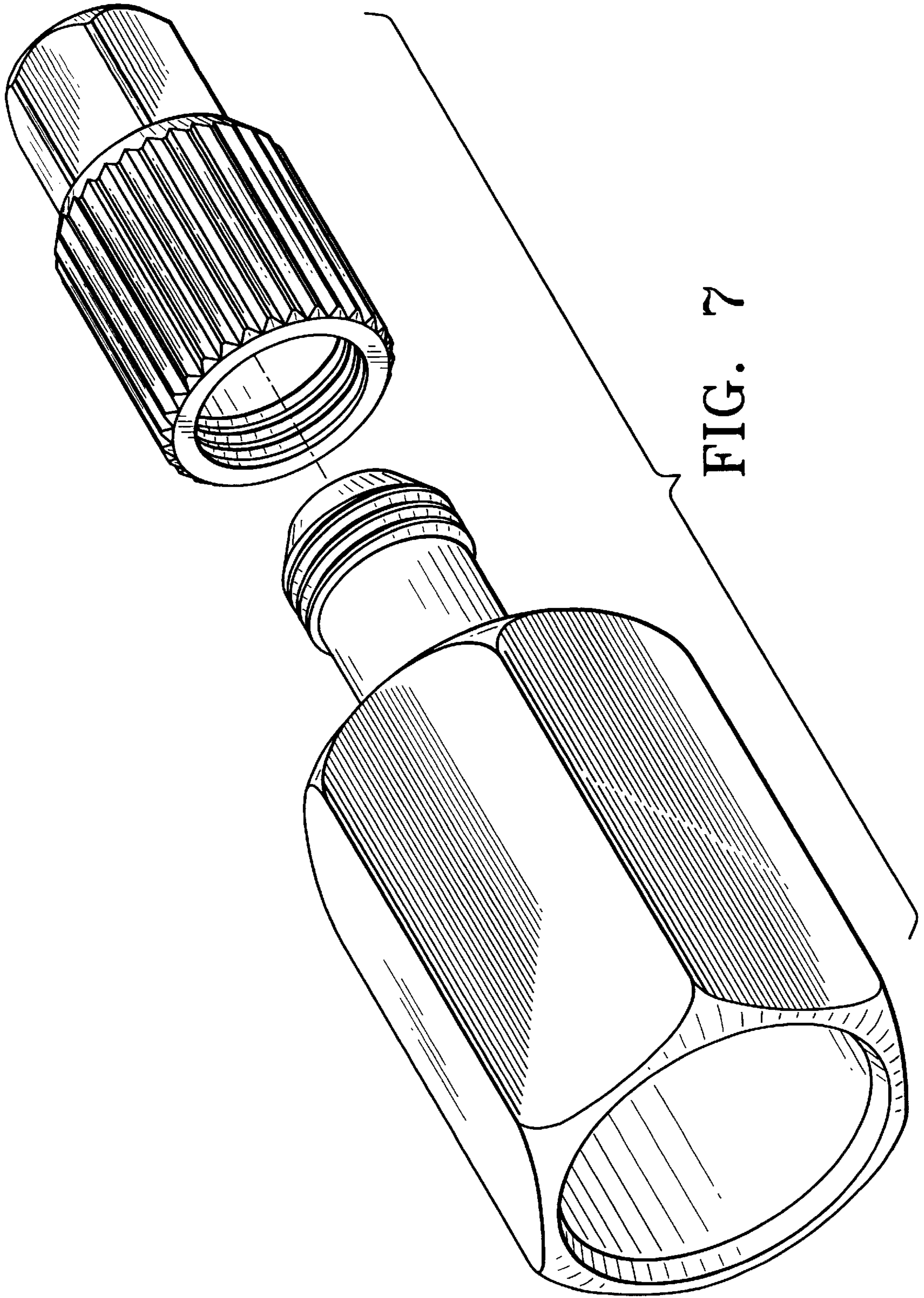


FIG. 7