



US00D437534S

(12) **United States Design Patent**
Gloden

(10) **Patent No.:** **US D437,534 S**

(45) **Date of Patent:** **** Feb. 13, 2001**

(54) **MANUAL LASER TONER CARTRIDGE
SPLITTER**

(75) **Inventor:** **Michael L. Gloden, Apex, NC (US)**

(73) **Assignee:** **Static Control Components, Inc.,
Sanford, NC (US)**

(**) **Term:** **14 Years**

(21) **Appl. No.:** **29/122,619**

(22) **Filed:** **May 1, 2000**

(51) **LOC (7) Cl.** **08-05**

(52) **U.S. Cl.** **D8/14; D8/16; D8/89**

(58) **Field of Search** **D8/14, 16, 88,
D8/89, 90; 83/870; 225/103; 76/31; 407/29.1;
279/102, 23.1, 450; 30/169**

(56) **References Cited**

U.S. PATENT DOCUMENTS

D. 195,362	*	6/1963	Geisler	D8/89
576,308		2/1897	Habrie	83/870
2,089,619	*	8/1937	Ripley	407/29.1
2,214,954	*	9/1940	Crater	407/29.1
2,460,513	*	2/1949	Le Fevre	407/29.1
2,685,901		8/1954	Putzer	83/870
2,809,846	*	10/1957	Whiteford	279/102
3,580,443		5/1971	Hennig et al.	225/96.5
4,816,877		3/1989	Keen	355/133

4,941,246	*	7/1990	Finnegan	407/29.15
5,110,646		5/1992	Prestel et al.	428/43
5,223,068		6/1993	Baley	156/250
5,339,596		8/1994	Cohen	53/136.3
5,400,573		3/1995	Crystal et al.	53/468
5,407,518		4/1995	Baley, Jr.	156/344
5,546,830		8/1996	Yuen	81/3.39
5,657,678		8/1997	Cohen	83/870

* cited by examiner

Primary Examiner—Philip S. Hyder

(74) *Attorney, Agent, or Firm*—William London

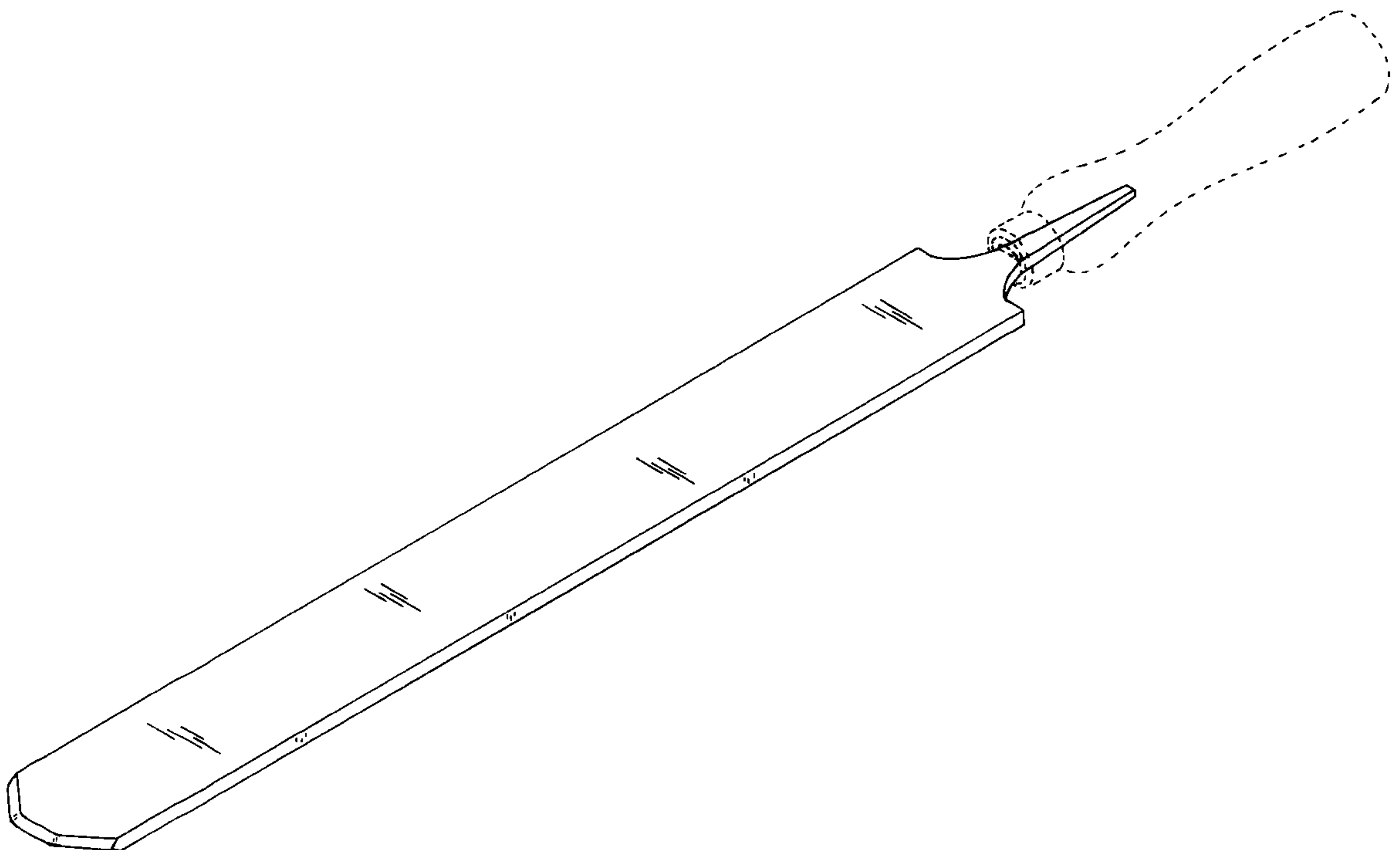
(57) **CLAIM**

The ornamental design for a manual laser toner cartridge splitter, as shown and described.

DESCRIPTION

FIG. 1 is a perspective view of a design for a manual laser toner cartridge splitter;
FIG. 2 is a top view of the design for a manual laser toner cartridge splitter, The bottom view is identical;
FIG. 3 is a front view of the design for a manual laser toner cartridge splitter; and,
FIG. 4 is a side view of the design for a manual laser toner cartridge splitter, The right side view is identical.
The broken line showing of the handle is for illustrative purposes only and forms no part of the claimed design.

1 Claim, 2 Drawing Sheets



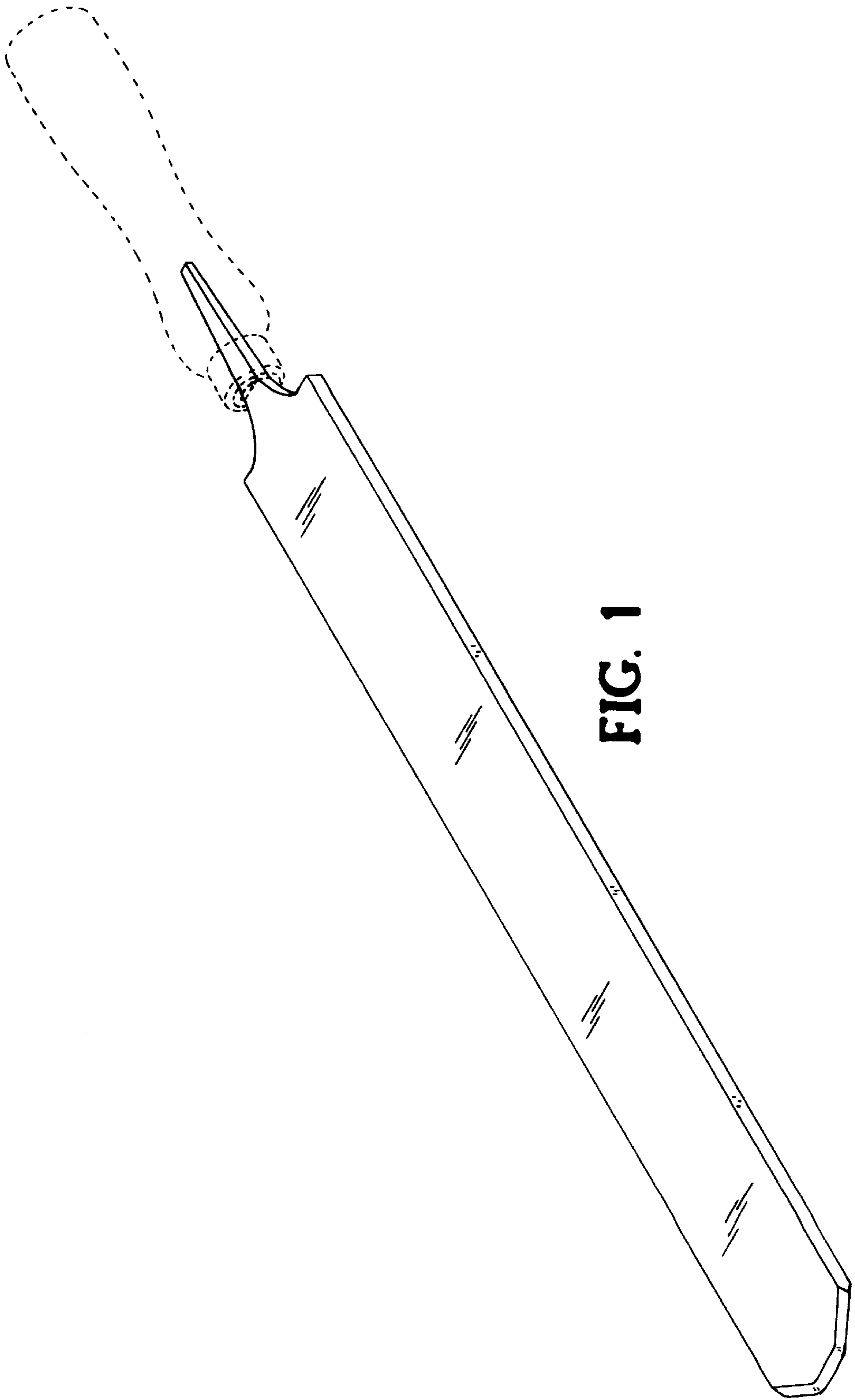


FIG. 1

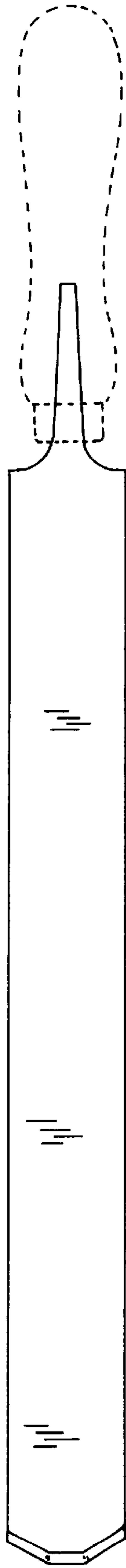


FIG. 2

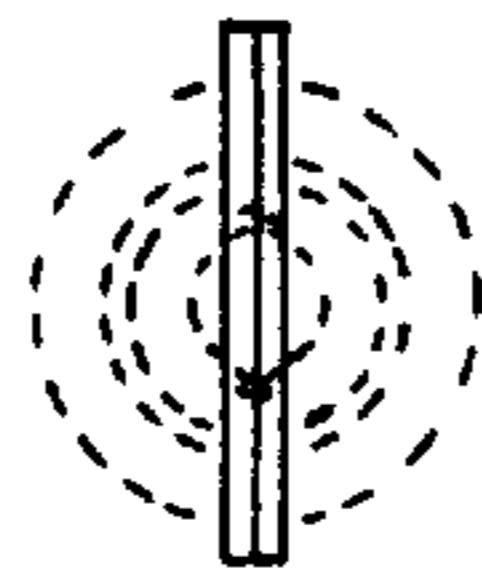


FIG. 3



FIG. 4