



US00D437533S

(12) **United States Design Patent**
South

(10) **Patent No.:** **US D437,533 S**

(45) **Date of Patent:** **** Feb. 13, 2001**

(54) **RAKE**

D. 397,592 * 9/1998 Widmer D8/13
D. 409,461 * 5/1999 Kiefer D8/13

(75) Inventor: **Robert E. South**, Warsaw, IN (US)

OTHER PUBLICATIONS

(73) Assignee: **Midwest Rake Company, LLC**,
Warsaw, IN (US)

Keller catalog; multi rakes; p. 14, Sep. 1986.*

(**) Term: **14 Years**

* cited by examiner

(21) Appl. No.: **29/100,770**

Primary Examiner—Robin V. Taylor

(22) Filed: **Feb. 18, 1999**

(74) *Attorney, Agent, or Firm*—Lundy and Associates

(51) **LOC (7) Cl.** **01-00**

(52) **U.S. Cl.** **D8/13**

(58) **Field of Search** D8/6, 11, 9; 294/49,
294/50.5, 52; 172/380, 378; 56/400.01,
400.05, 400.17, 400.21

(57) **CLAIM**

The ornamental design for a rake, as shown and described.

DESCRIPTION

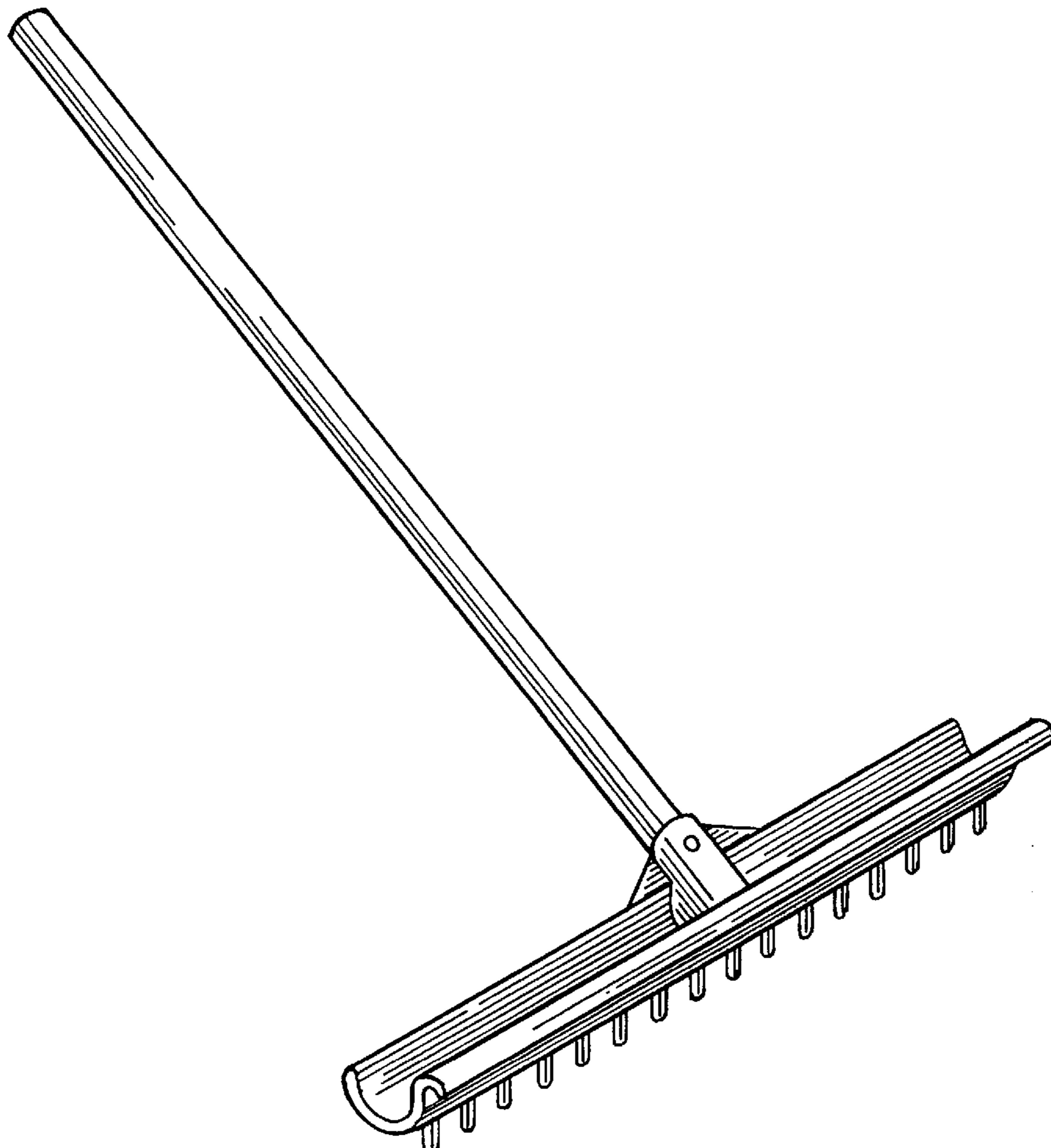
(56) **References Cited**

U.S. PATENT DOCUMENTS

- D. 282,621 * 2/1986 Nuorivaara D8/13
- D. 310,619 * 9/1990 Schade D8/13
- D. 385,161 * 10/1997 Grinde D8/13
- D. 392,854 * 3/1998 Gregory D8/13
- D. 393,191 * 4/1998 Latto D8/13

FIG. 1 is a perspective view of a rake showing my new design;
 FIG. 2 is a top plan view with the handle shown fragmented for ease of illustration;
 FIG. 3 is a bottom view thereof;
 FIG. 4 is an end view thereof;
 FIG. 5 is a front view thereof; and,
 FIG. 6 is a rear view thereof.

1 Claim, 3 Drawing Sheets



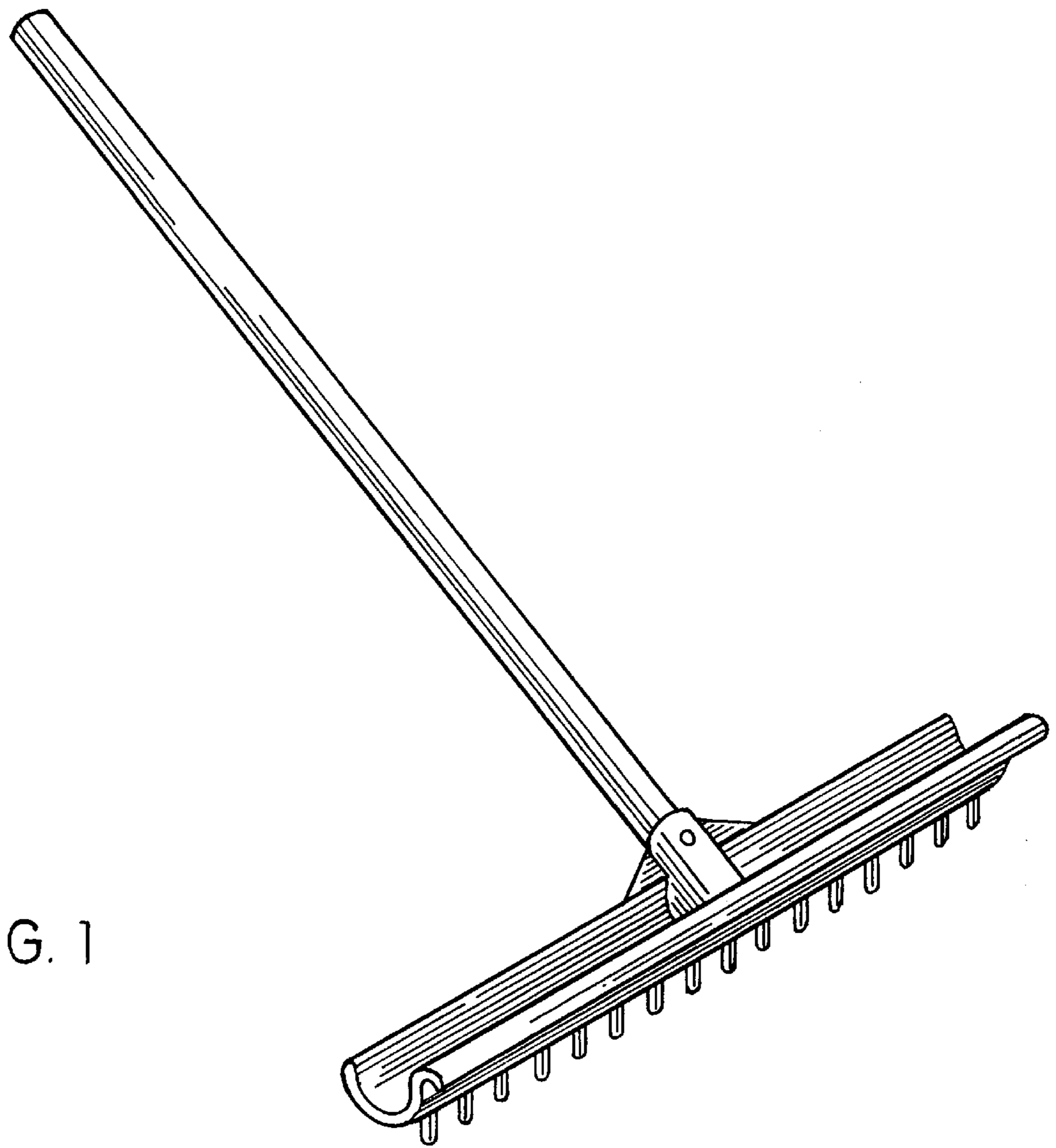


FIG. 1

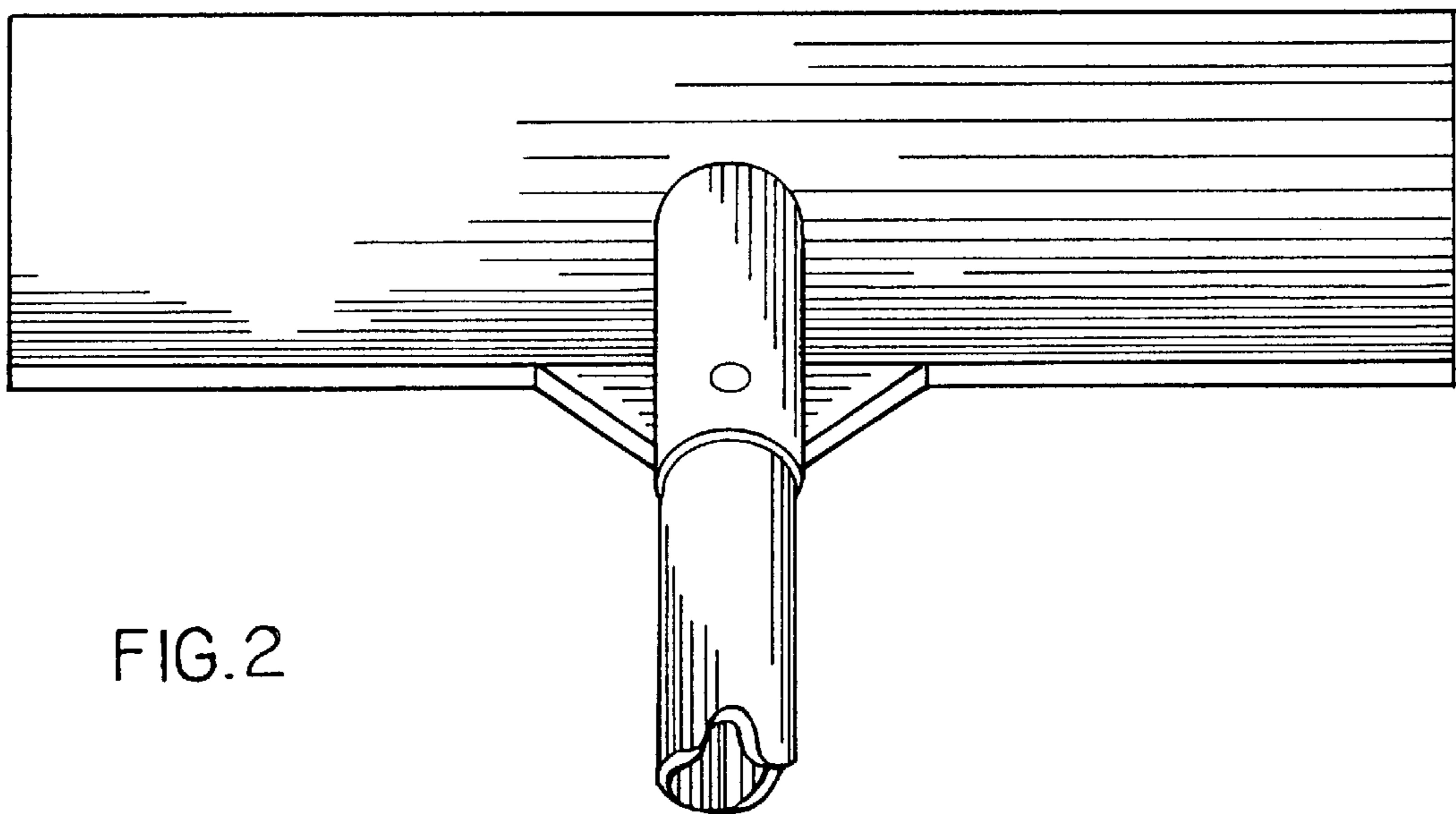


FIG. 2

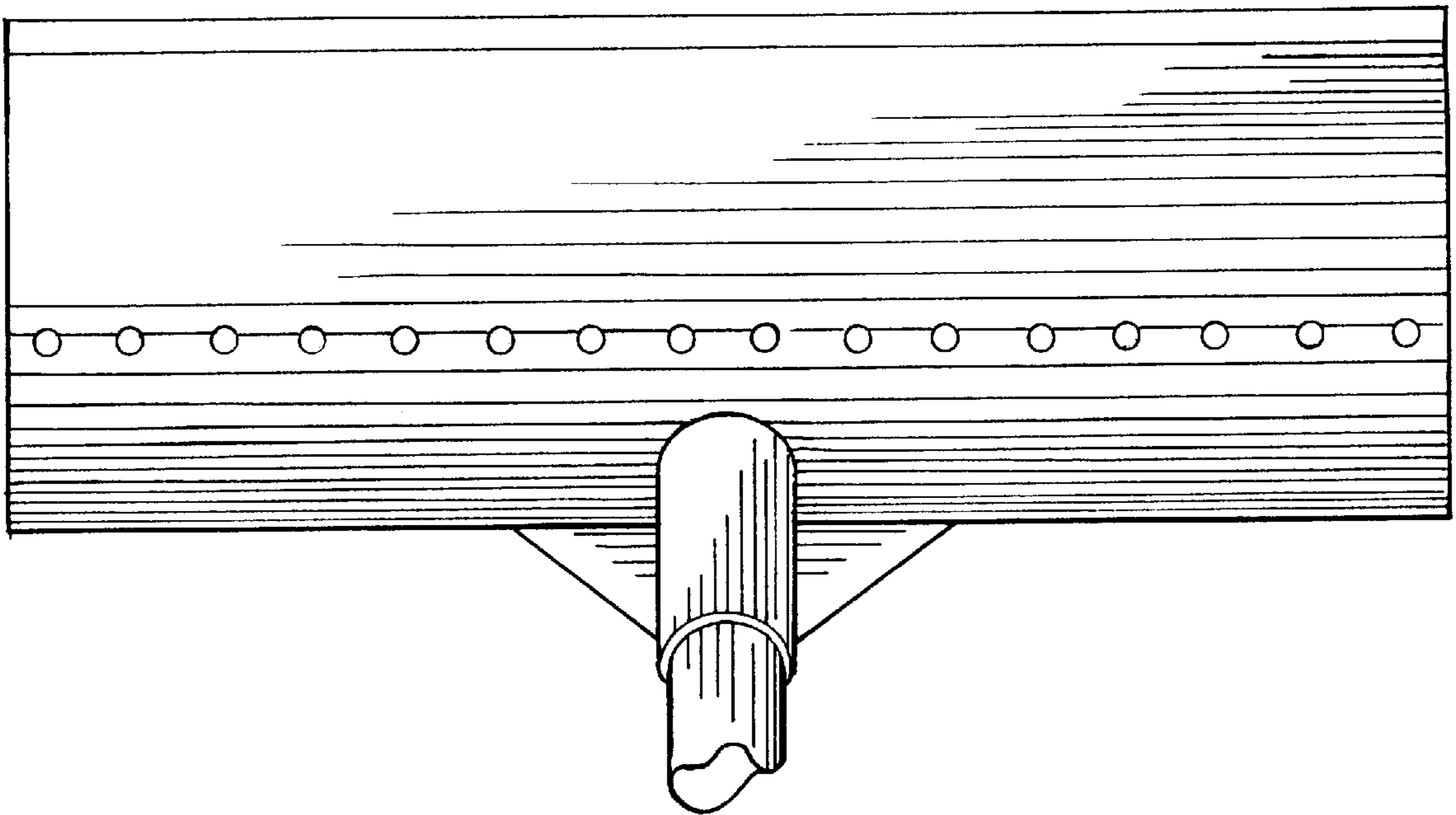


FIG. 3

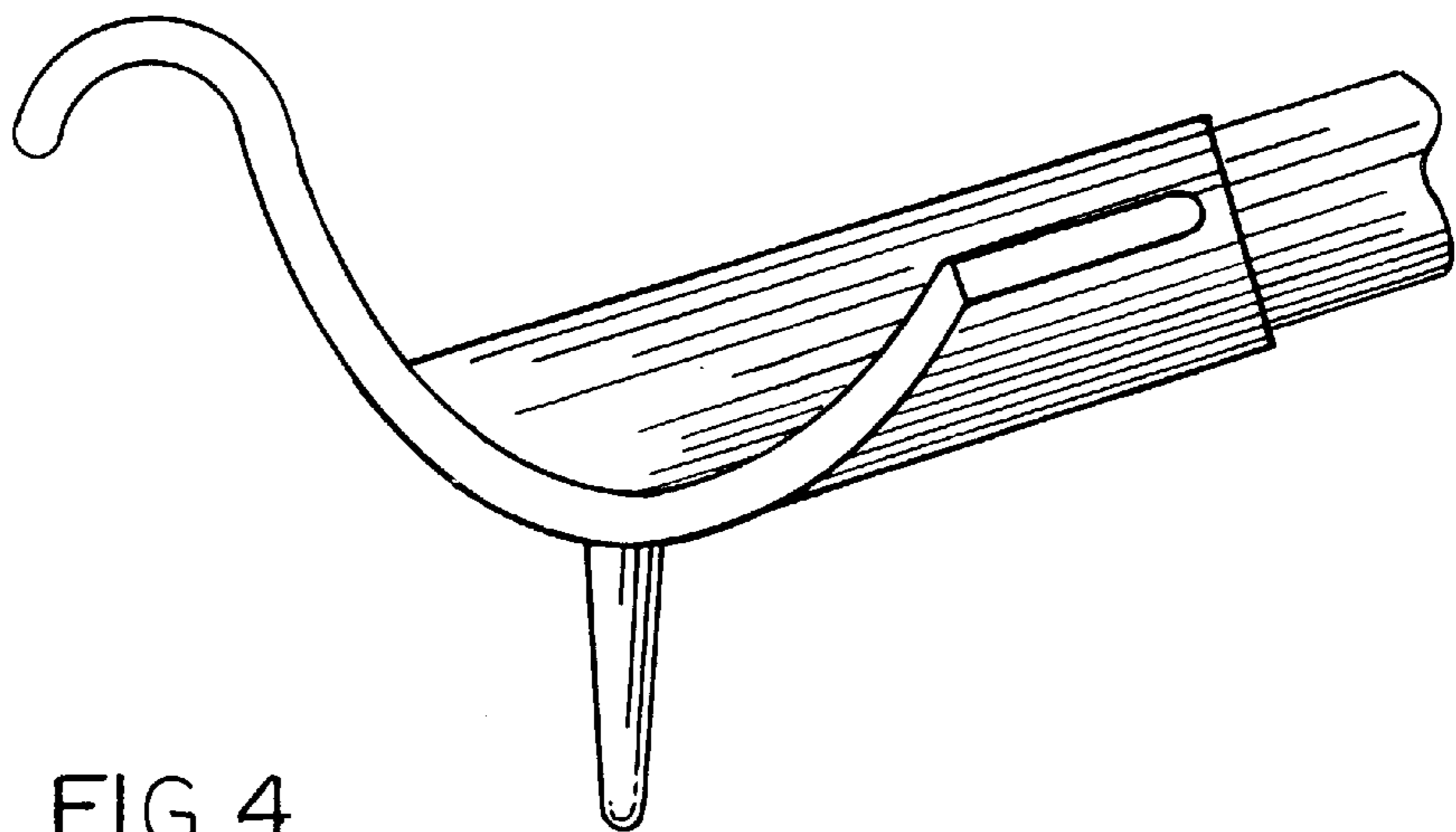


FIG. 4

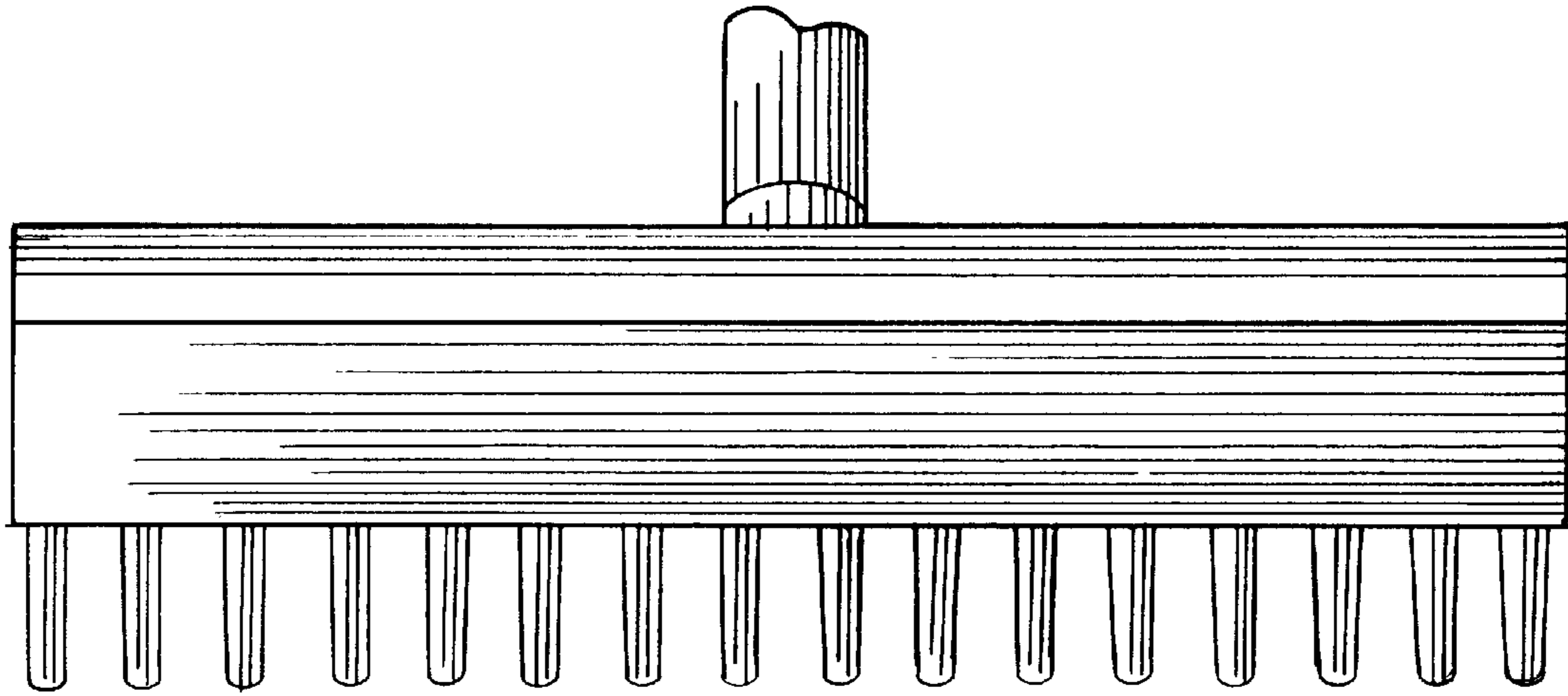


FIG. 5

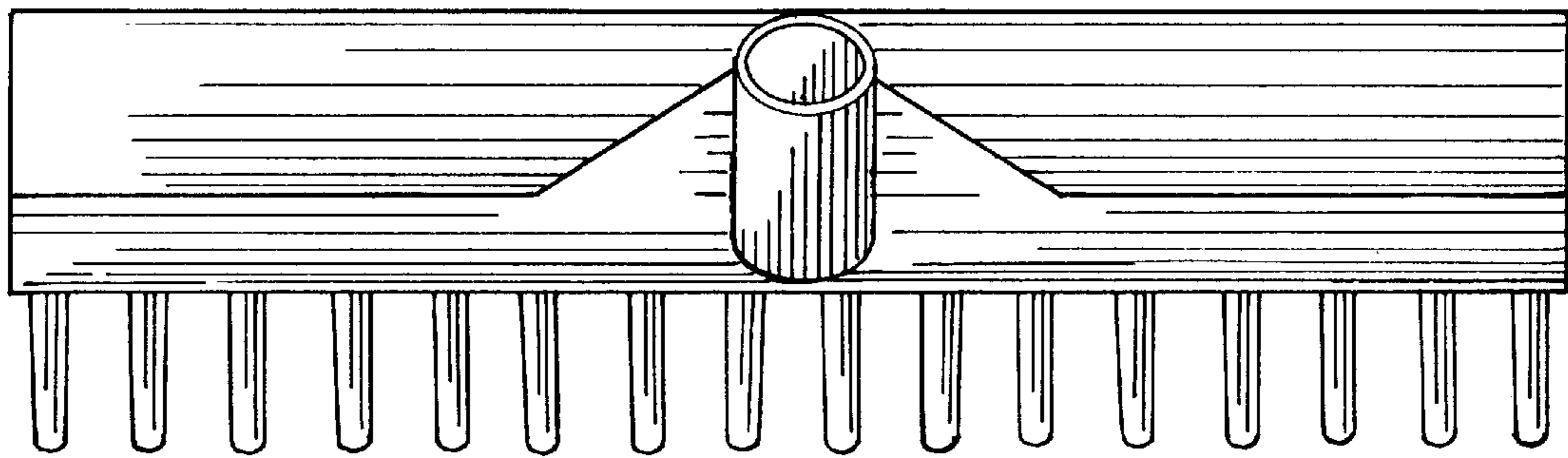


FIG. 6