



US00D437532S

(12) **United States Design Patent**
Petruzzelli

(10) **Patent No.:** **US D437,532 S**

(45) **Date of Patent:** **** Feb. 13, 2001**

(54) **SHOVEL**

(74) *Attorney, Agent, or Firm*—Notaro & Michalos PC

(76) **Inventor:** **Rocco Petruzzelli**, 2 Lady Godiva Way,
New City, NY (US) 10956

(57) **CLAIM**

The ornamental design for a shovel, as shown and described.

(**) **Term:** **14 Years**

DESCRIPTION

(21) **Appl. No.:** **29/103,024**

FIG. 1 is a rear, elevational view of a shovel showing my new design therefore;

(22) **Filed:** **Apr. 6, 1999**

FIG. 2 is a front, elevational view thereof;

(51) **LOC (7) Cl.** **08-01**

(52) **U.S. Cl.** **D8/10**

(58) **Field of Search** D8/1, 2, 7-13;
294/49, 50, 50.5, 52, 55.2, 57

FIG. 3 is a side elevational view thereof, the opposite side being identical;

FIG. 4 is a bottom end view thereof;

(56) **References Cited**

U.S. PATENT DOCUMENTS

D. 242,520	*	11/1976	Nollar	D8/10
D. 300,199	*	3/1989	Ipema	D8/10
D. 376,742	*	12/1996	Filowiak et al.	D8/13
5,348,360	*	9/1994	Mencarelli et al.	294/57
5,558,379	*	9/1996	Wehner	294/49
5,799,996	*	9/1998	Fredrickson	294/57

FIG. 5 is a top end view thereof;

FIG. 6 is a view similar to FIG. 1 of a second embodiment of my design;

FIG. 7 is a view similar to FIG. 2 of the second embodiment;

FIG. 8 is a view similar to FIG. 3 of the second embodiment;

FIG. 9 is a view similar to FIG. 4 of the second embodiment; and,

OTHER PUBLICATIONS

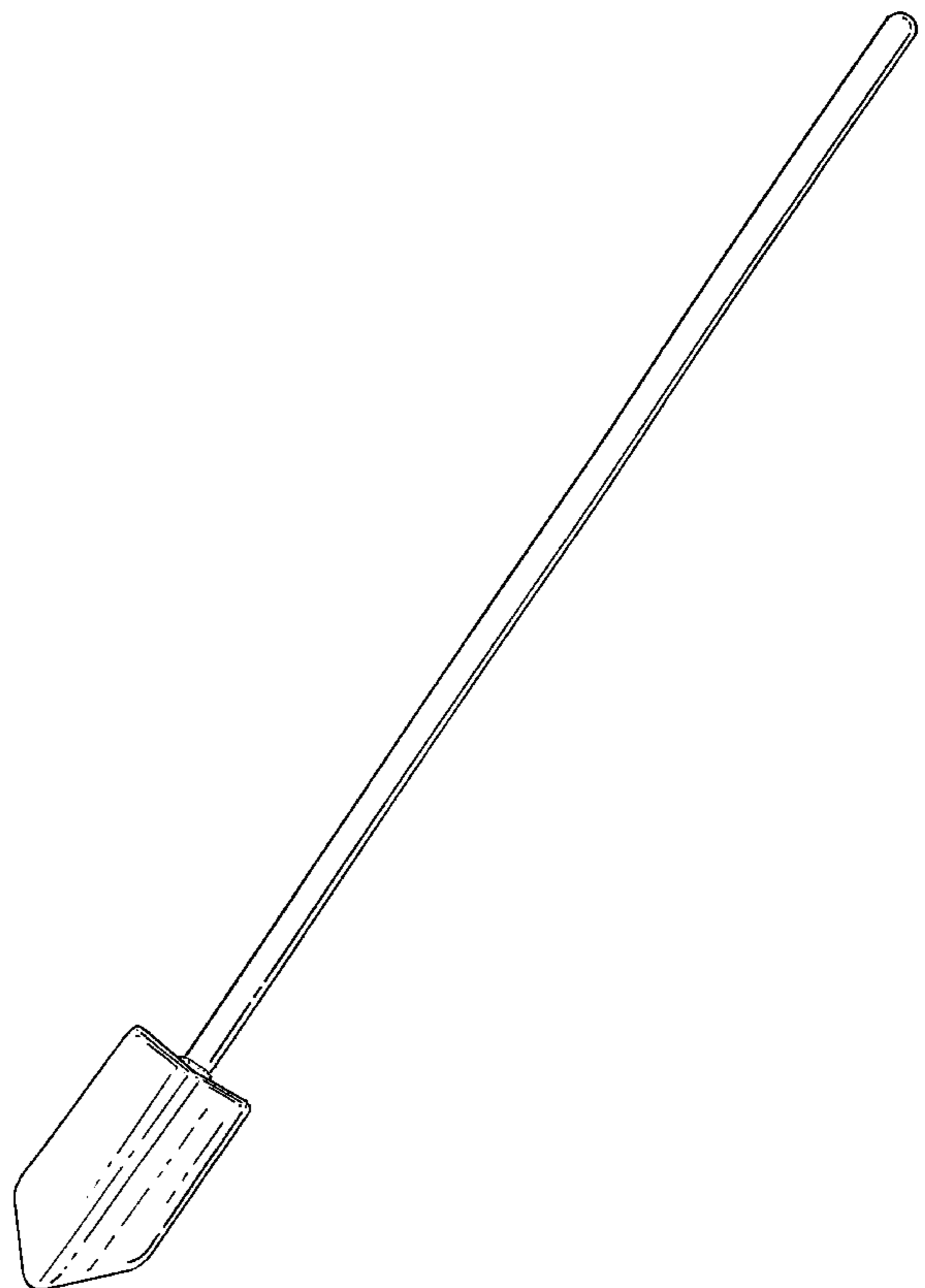
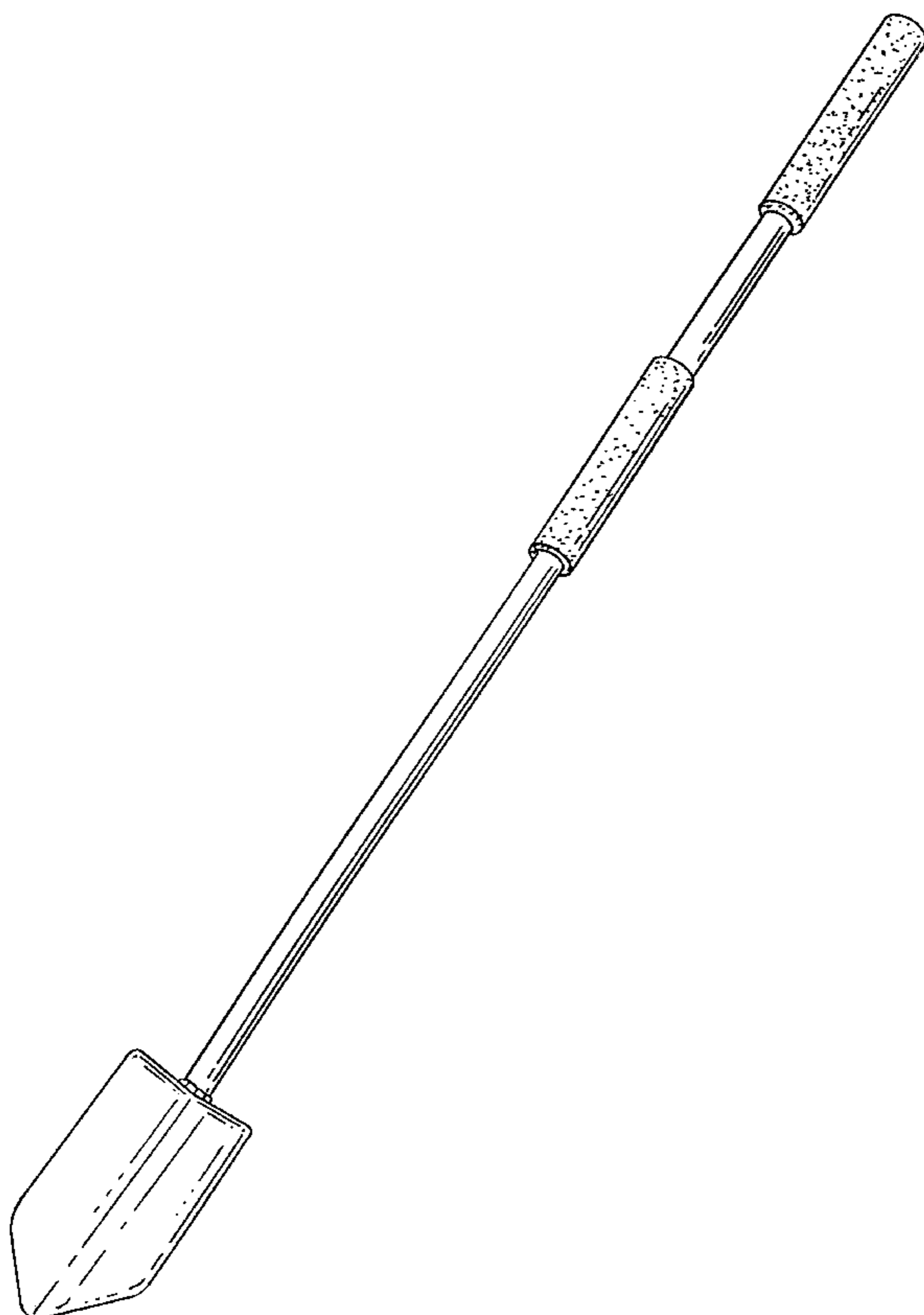
Green River Tools; item spade; p. 13, 1986.*

FIG. 10 is a view similar to FIG. 5 of the second embodiment.

* cited by examiner

Primary Examiner—Robin V. Taylor

1 Claim, 8 Drawing Sheets



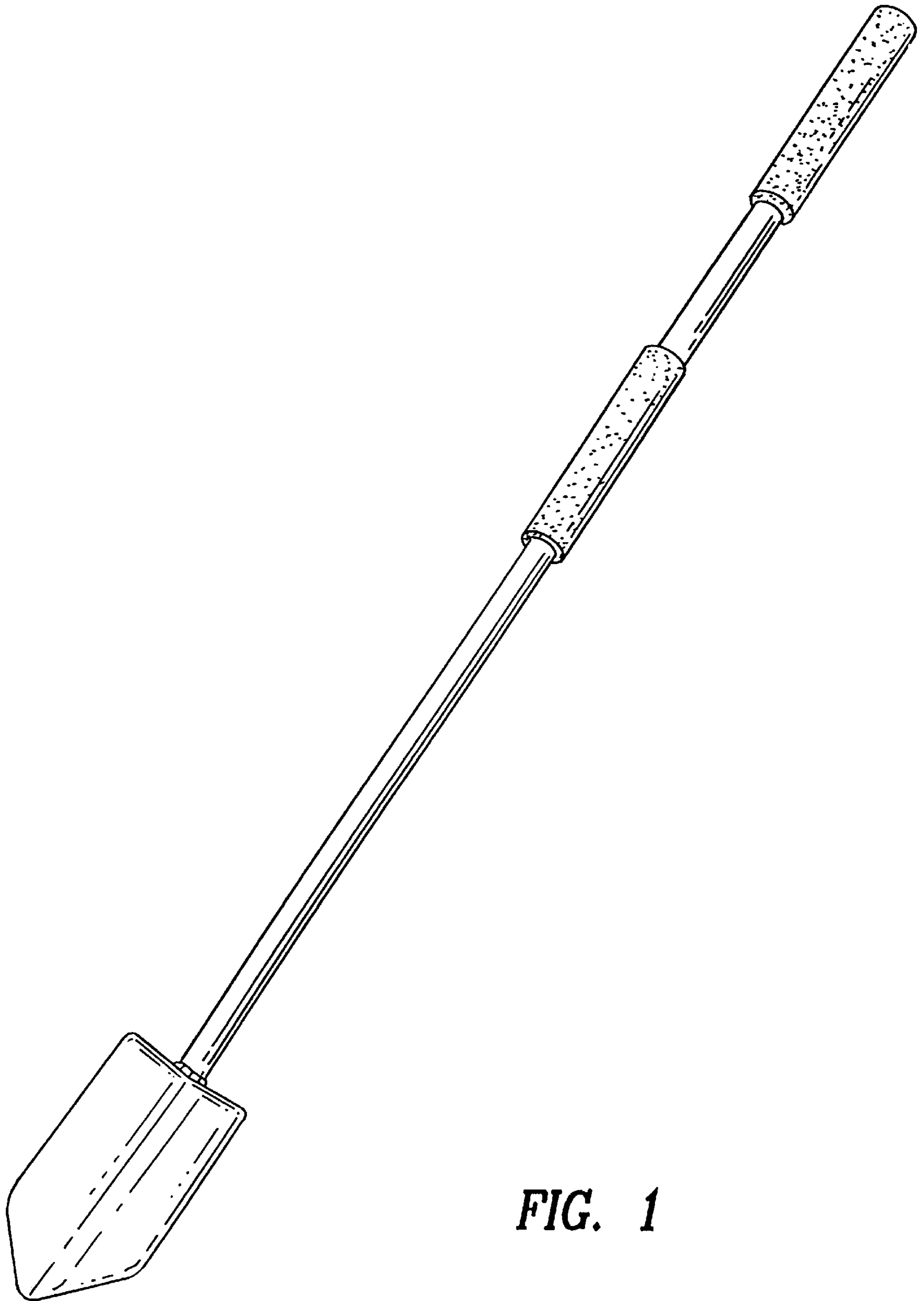


FIG. 1

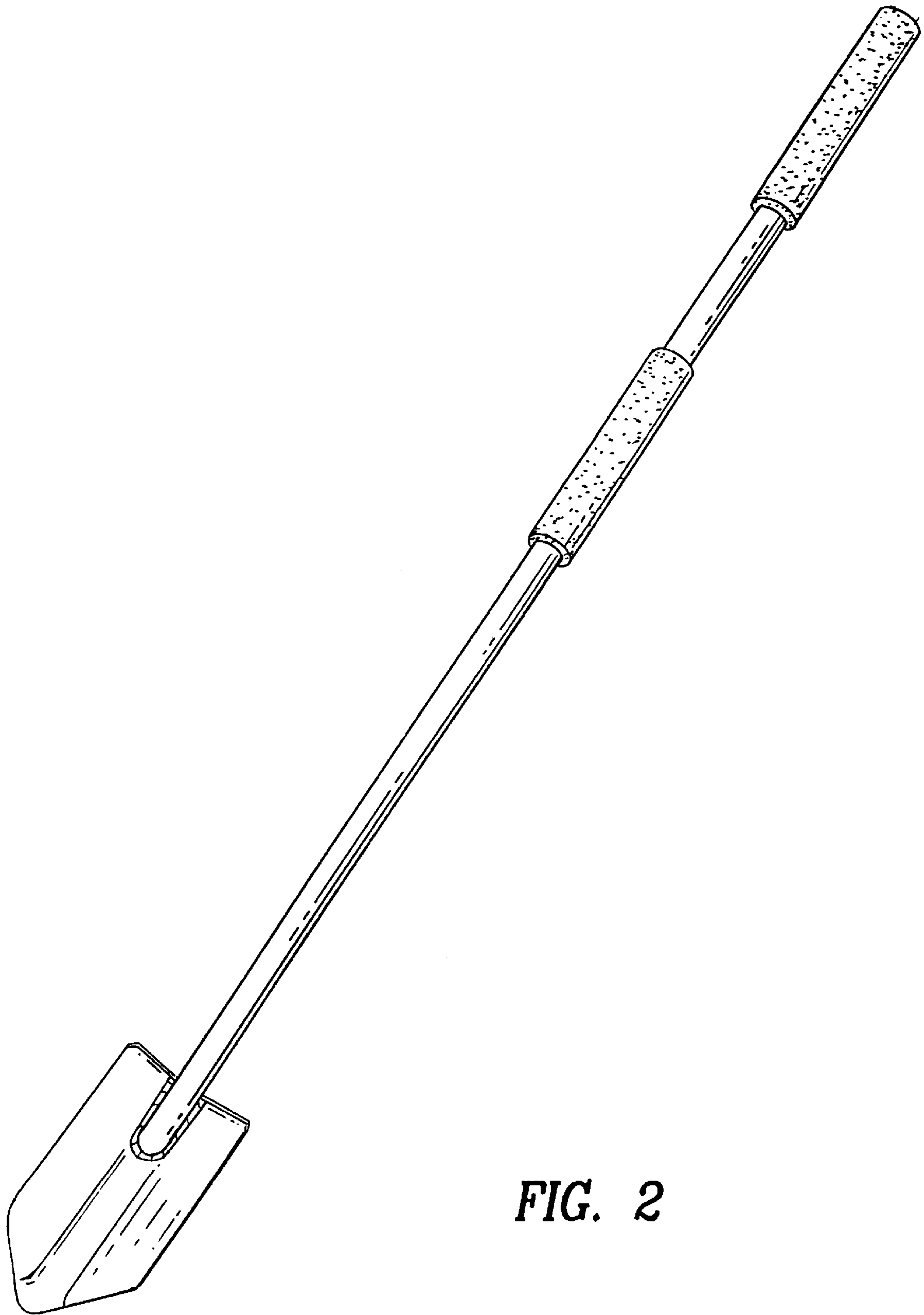


FIG. 2



FIG. 3

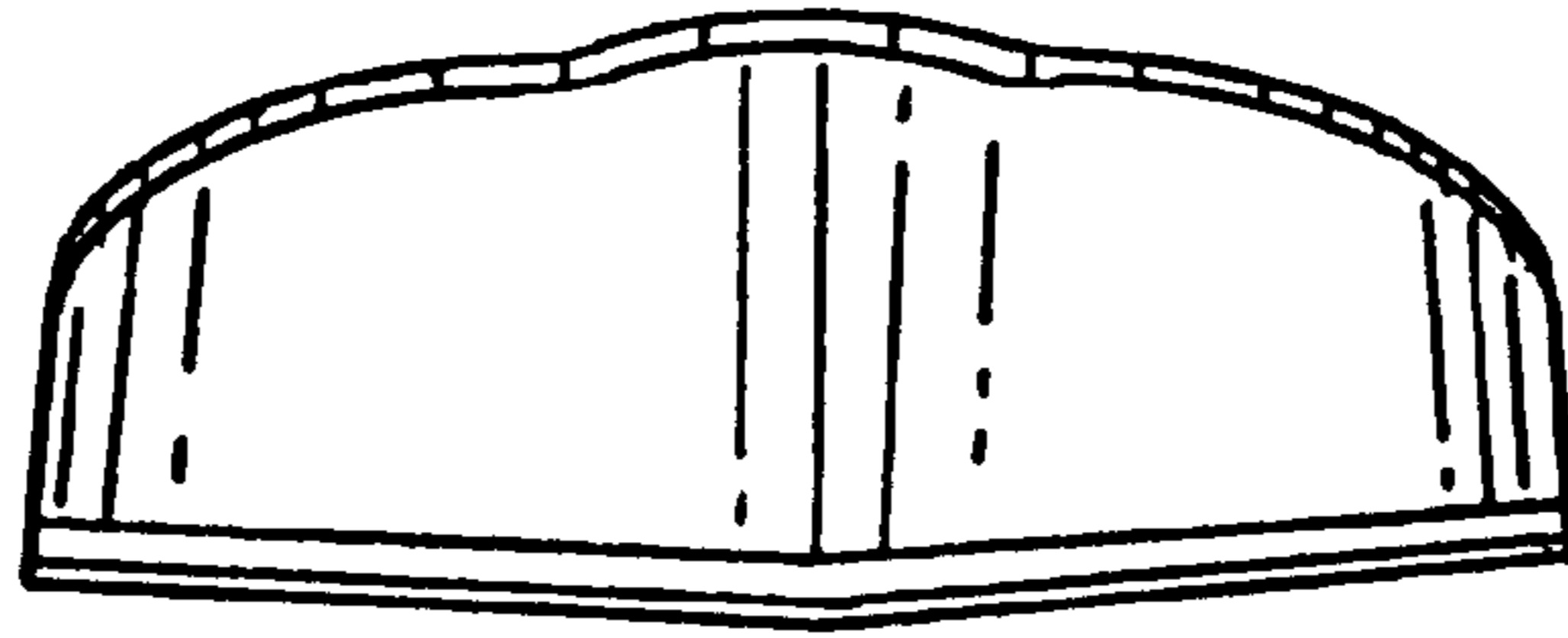


FIG. 4

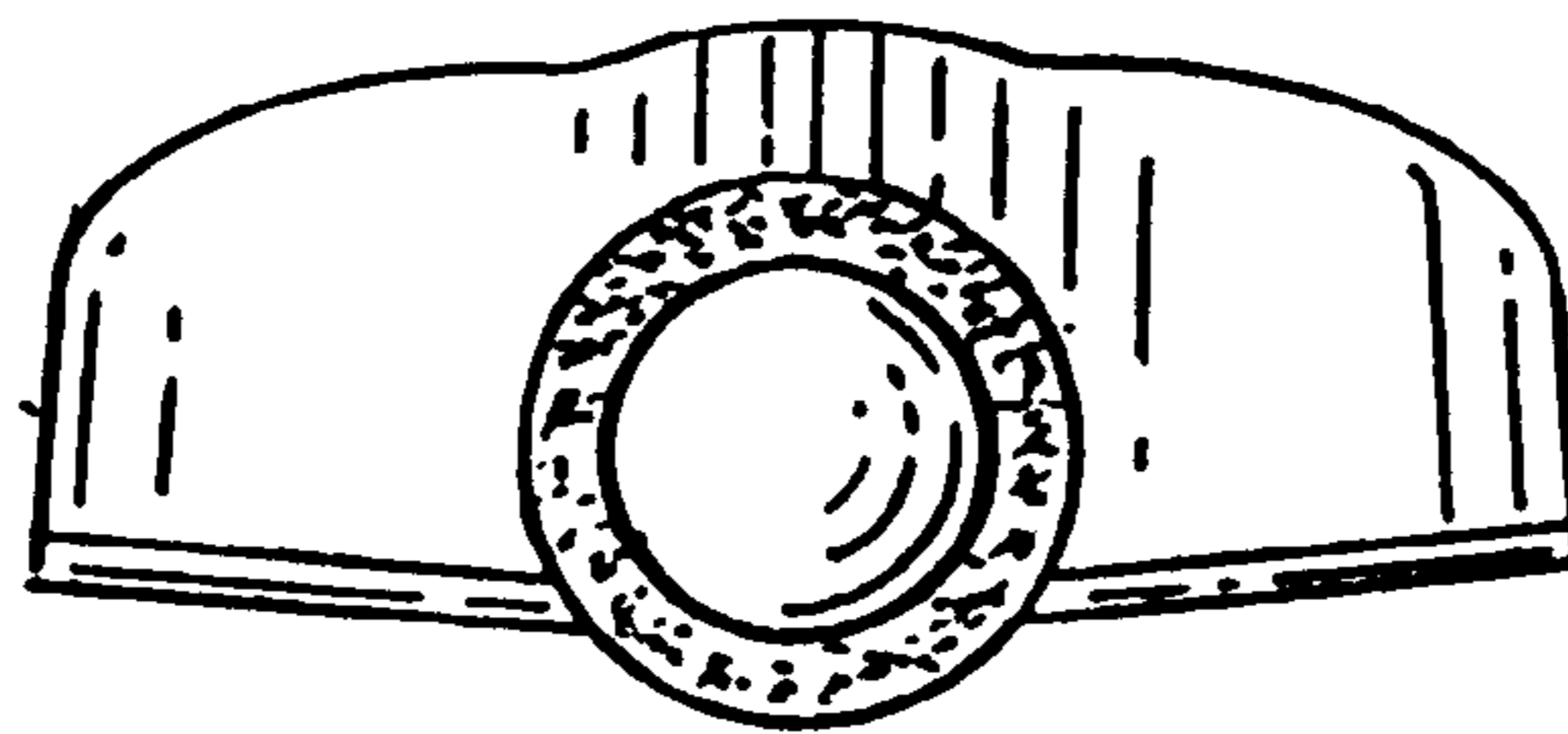


FIG. 5

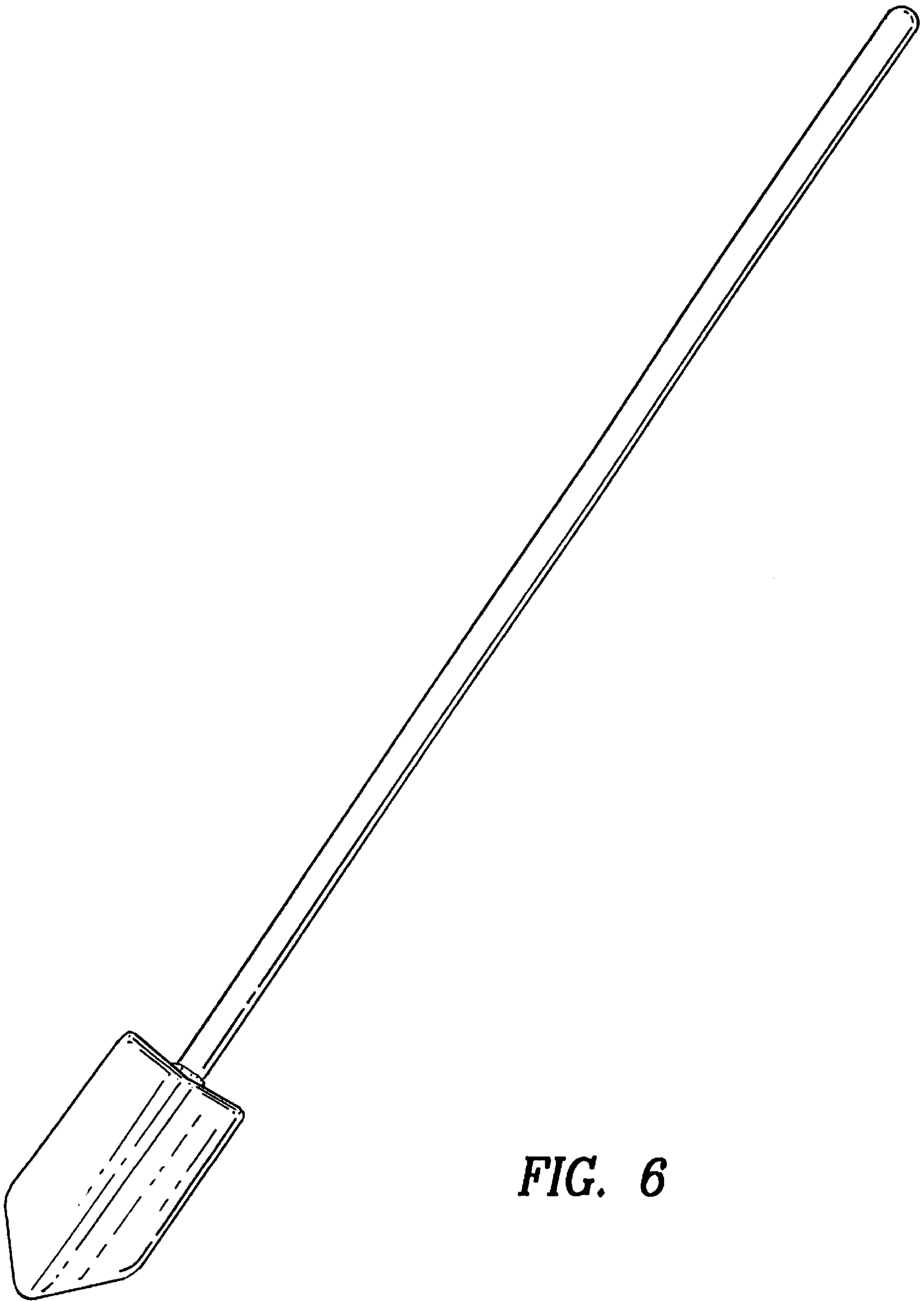


FIG. 6

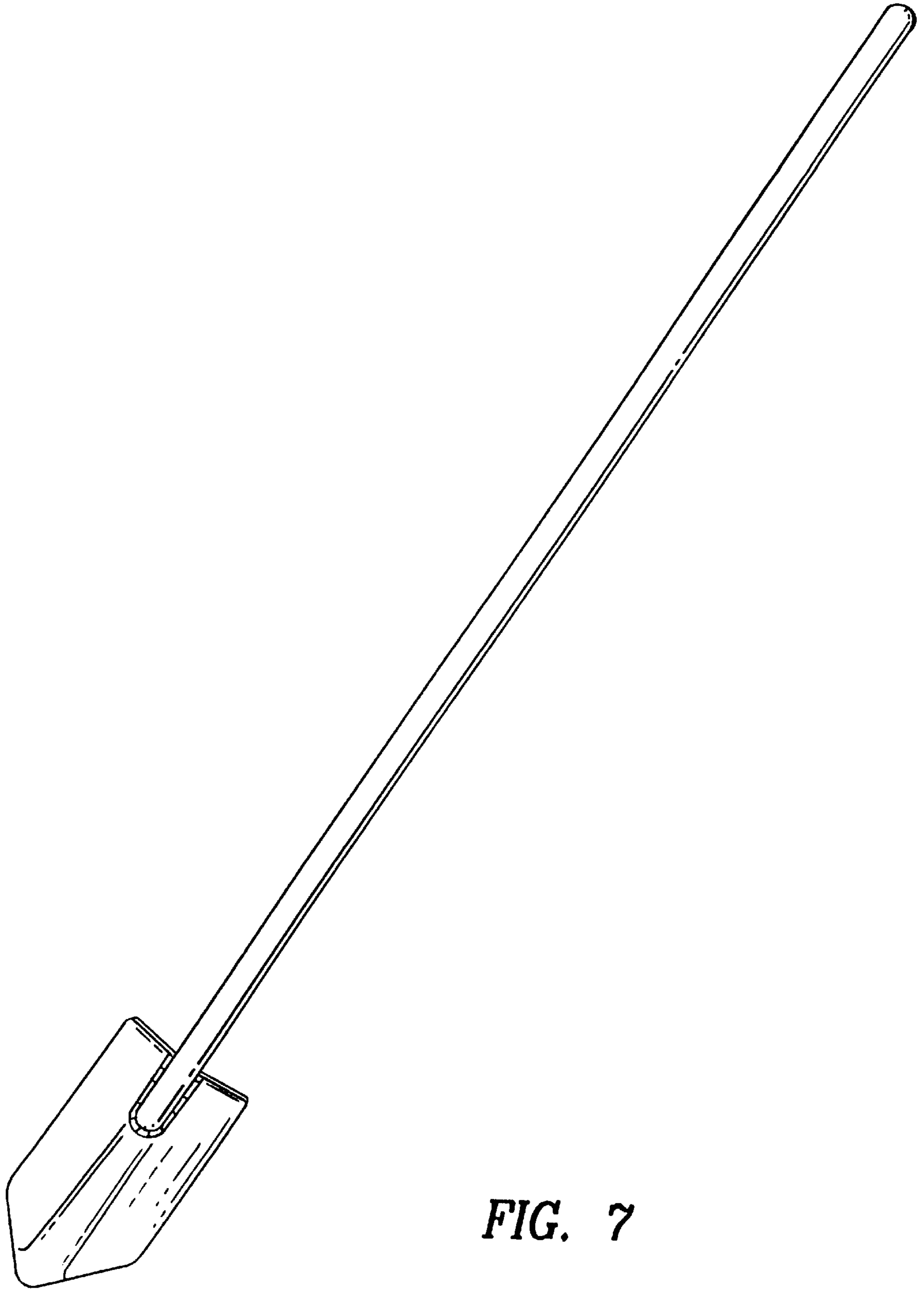


FIG. 7



FIG. 8

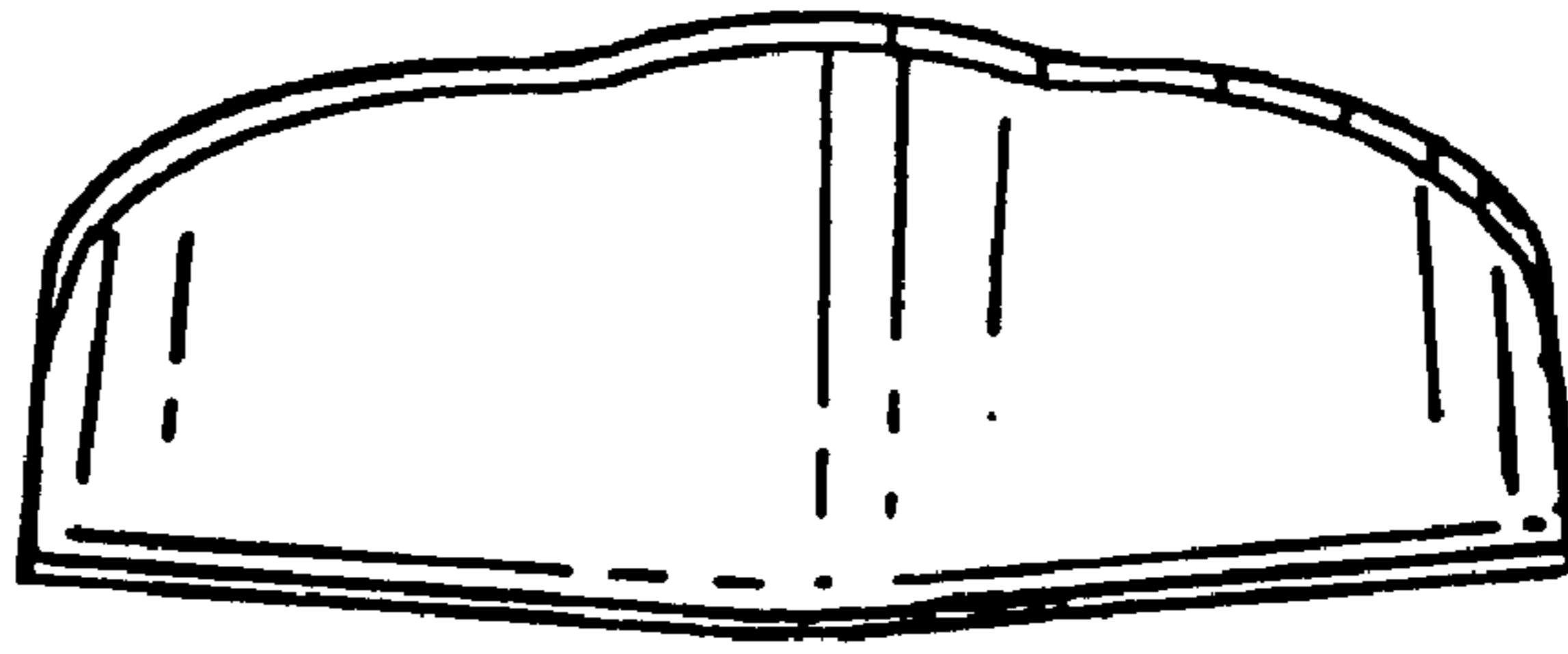


FIG. 9

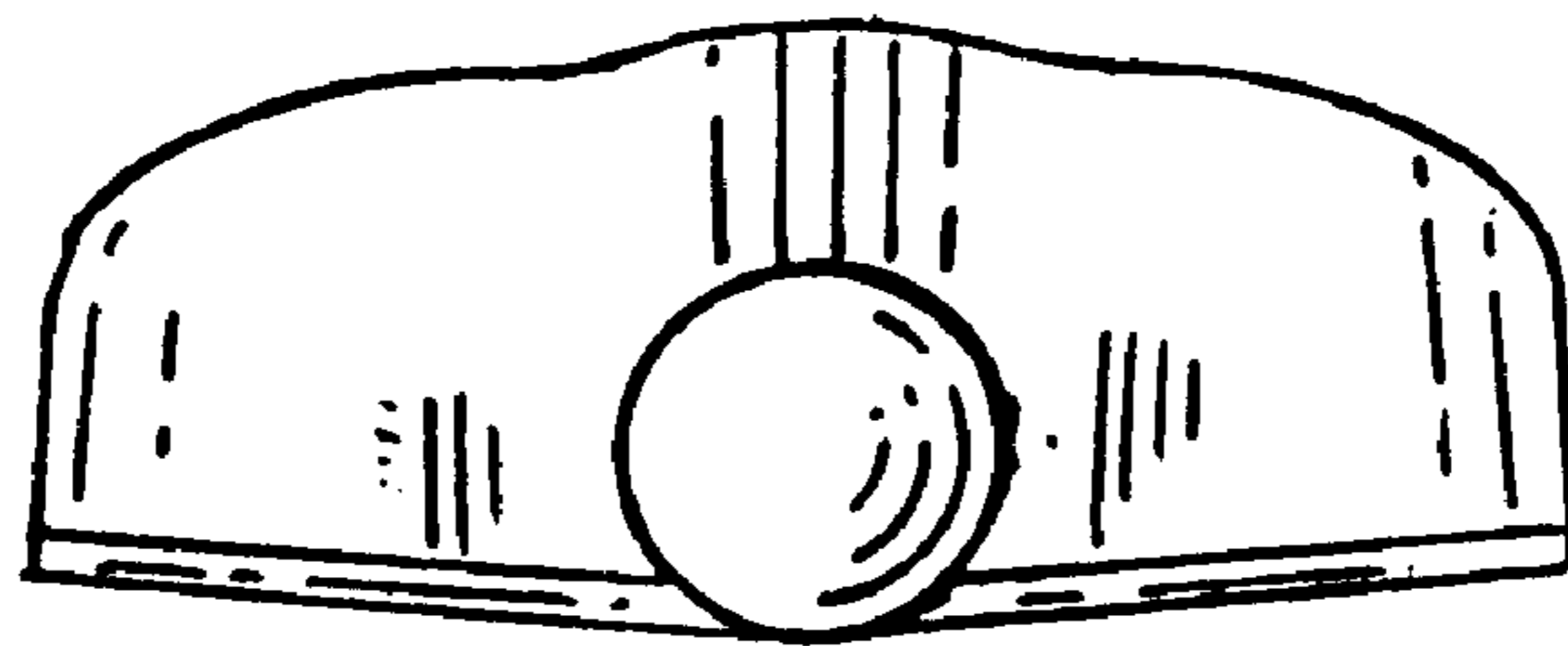


FIG. 10