



US00D437530S

(12) **United States Design Patent**  
**Niven**

(10) **Patent No.:** **US D437,530 S**

(45) **Date of Patent:** **\*\* Feb. 13, 2001**

(54) **POWDER DISPENSER**

D. 340,768 \* 10/1993 Jabour ..... D10/46.2 X

(75) Inventor: **Gregg D. Niven**, Salt Lake City, UT  
(US)

\* cited by examiner

(73) Assignee: **Evette Alldredge**, Salt Lake City, UT  
(US)

*Primary Examiner*—Terry A. Wallace

(74) *Attorney, Agent, or Firm*—Clayton, Howarth, &  
Cannon, P.C.

(\*\*) Term: **14 Years**

(57) **CLAIM**

(21) Appl. No.: **29/120,523**

I claim the ornamental design for a powder dispenser, as  
shown and described.

(22) Filed: **Mar. 20, 2000**

**DESCRIPTION**

(51) **LOC (7) Cl.** ..... **07-02**

(52) **U.S. Cl.** ..... **D7/691**

(58) **Field of Search** ..... D7/691, 692; D10/46.2,  
D10/46.3; 30/324–328; 73/426–429; 294/55

FIG. 1 is a perspective view thereof;

FIG. 2 is a side view thereof;

FIG. 3 is a front view thereof; and

FIG. 4 is a rear view thereof.

FIG. 5 is a top plan view thereof; and,

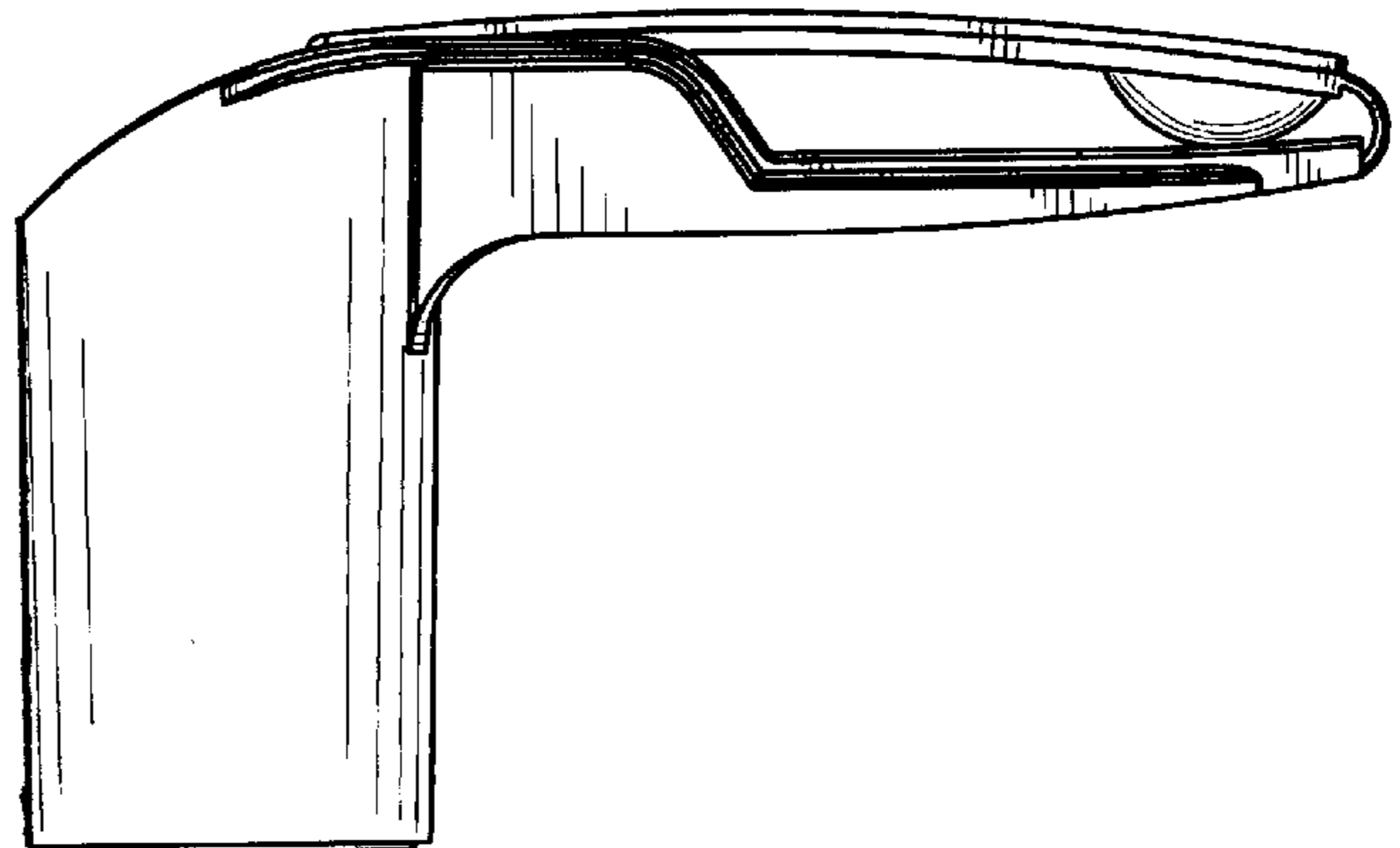
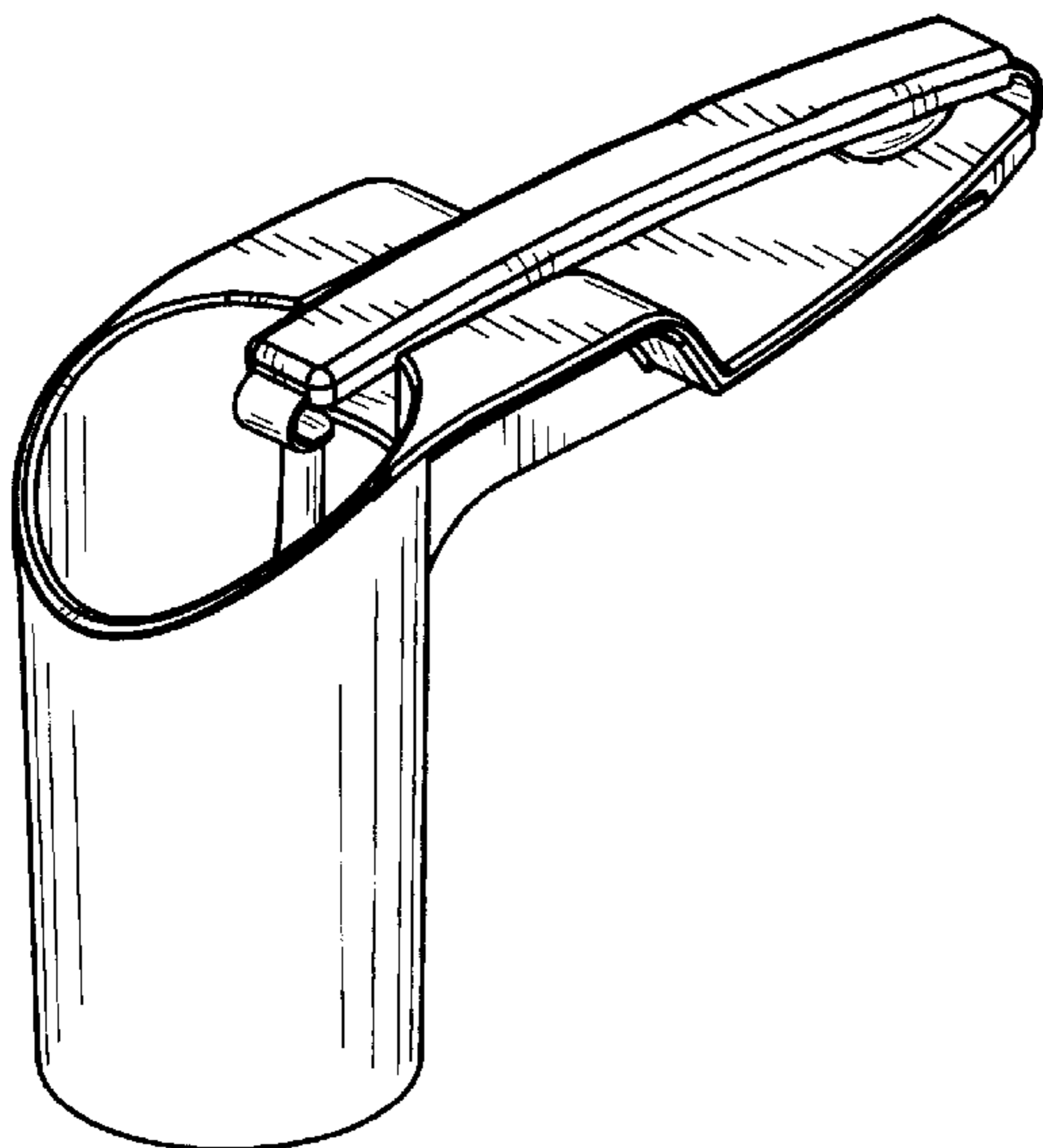
FIG. 6 is a bottom plan view thereof.

(56) **References Cited**

**U.S. PATENT DOCUMENTS**

D. 339,991 \* 10/1993 Mulry et al. .... D10/46.2

**1 Claim, 2 Drawing Sheets**



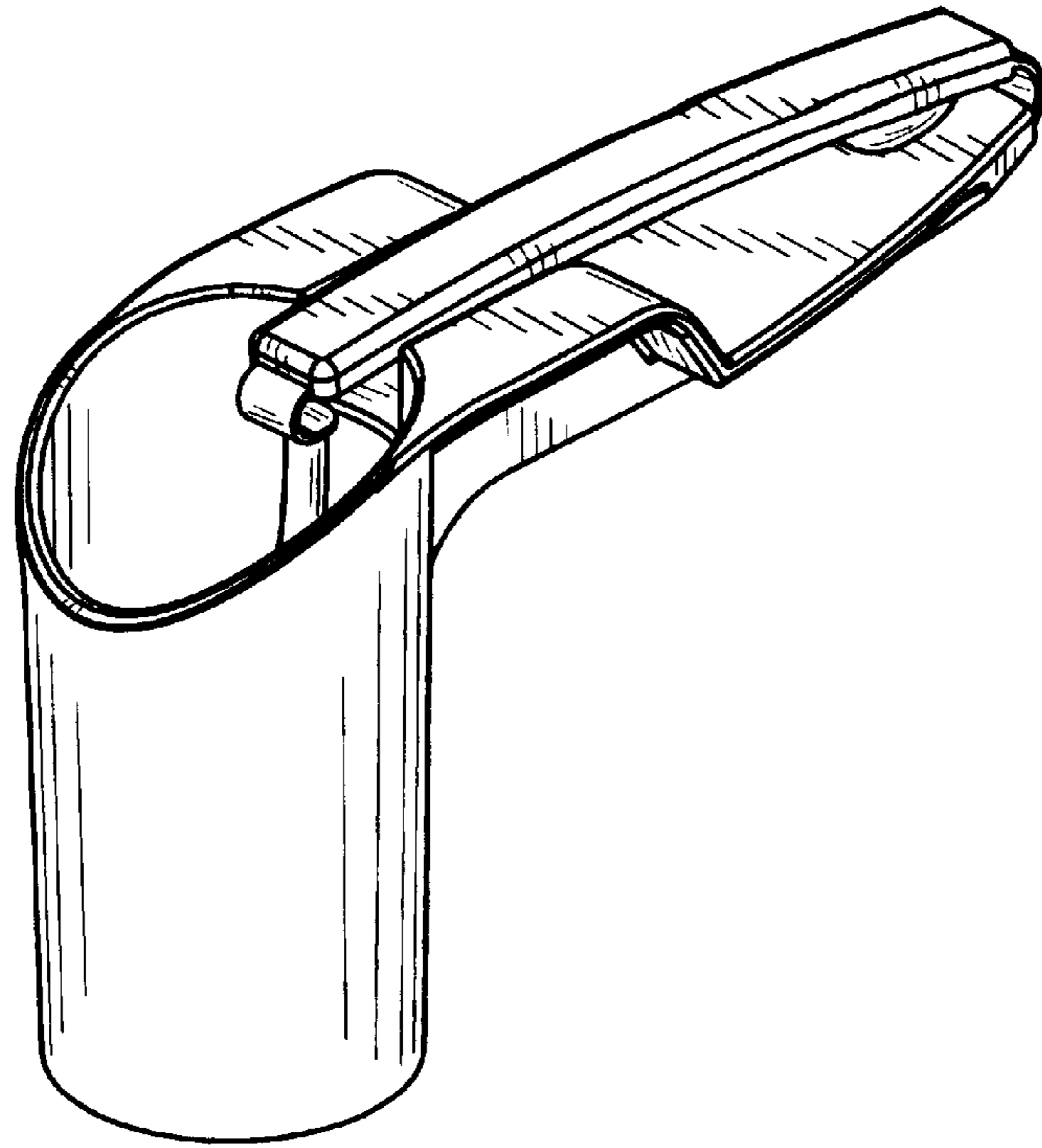


Fig. 1

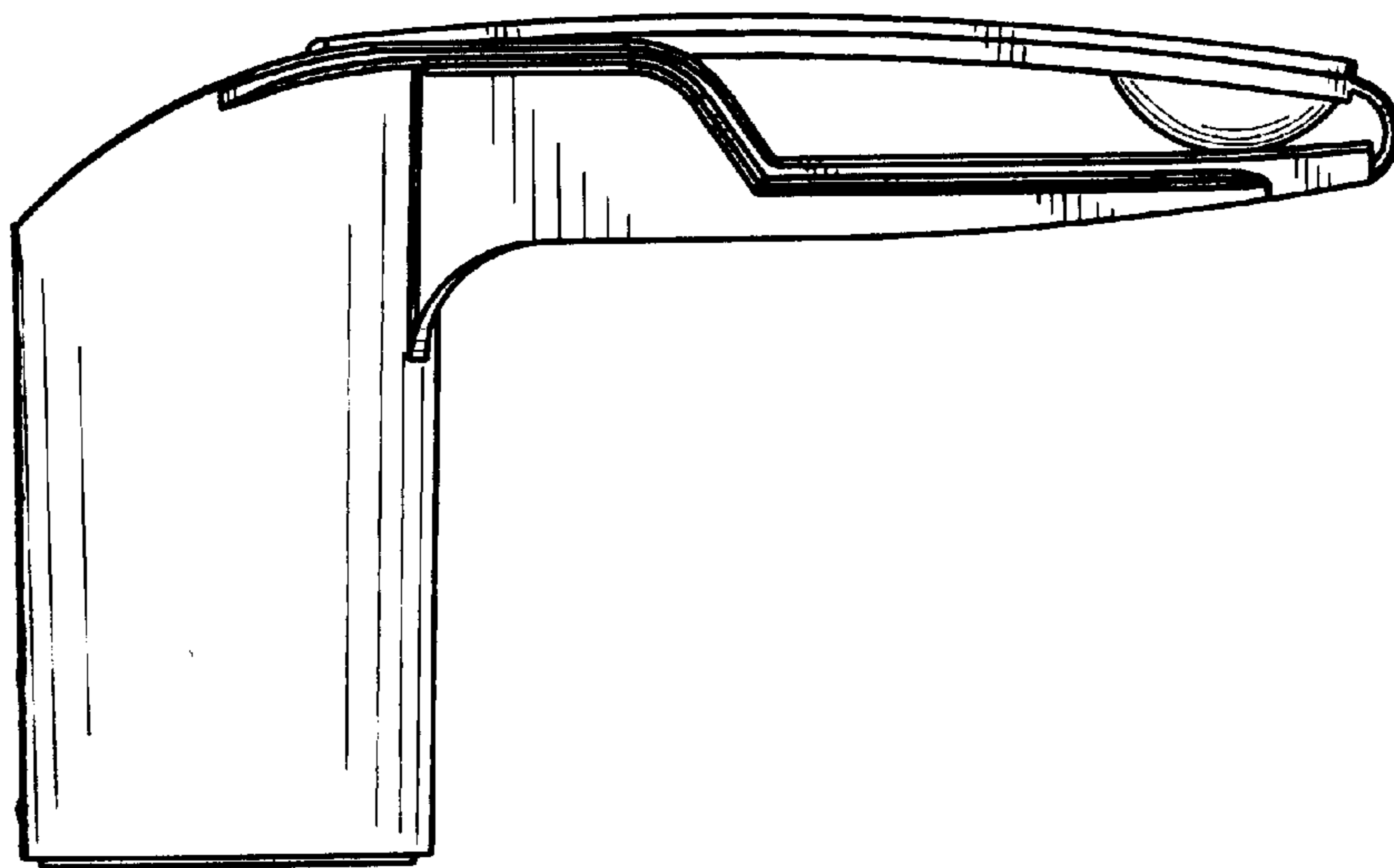


Fig. 2

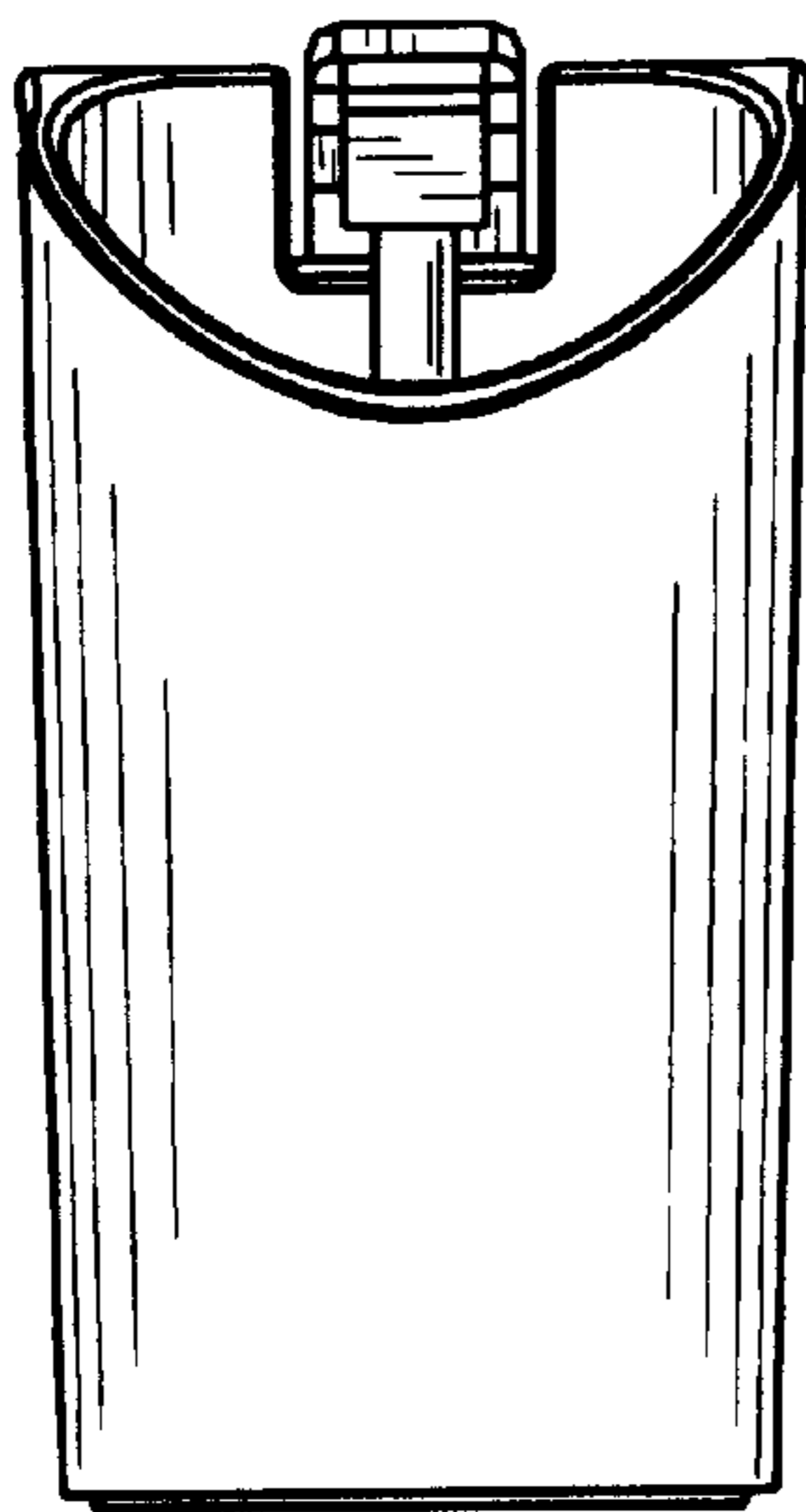


Fig. 3

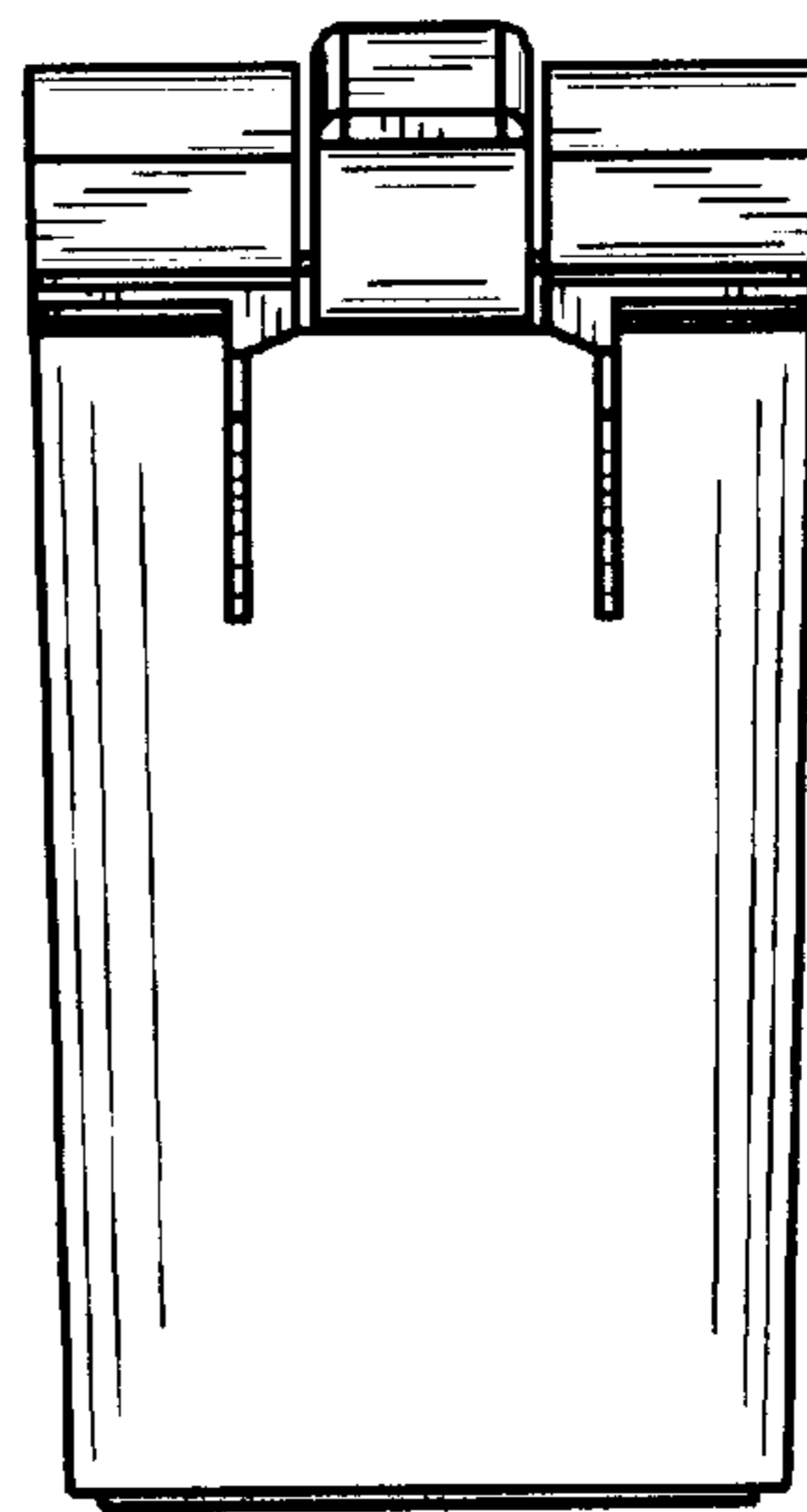


Fig. 4

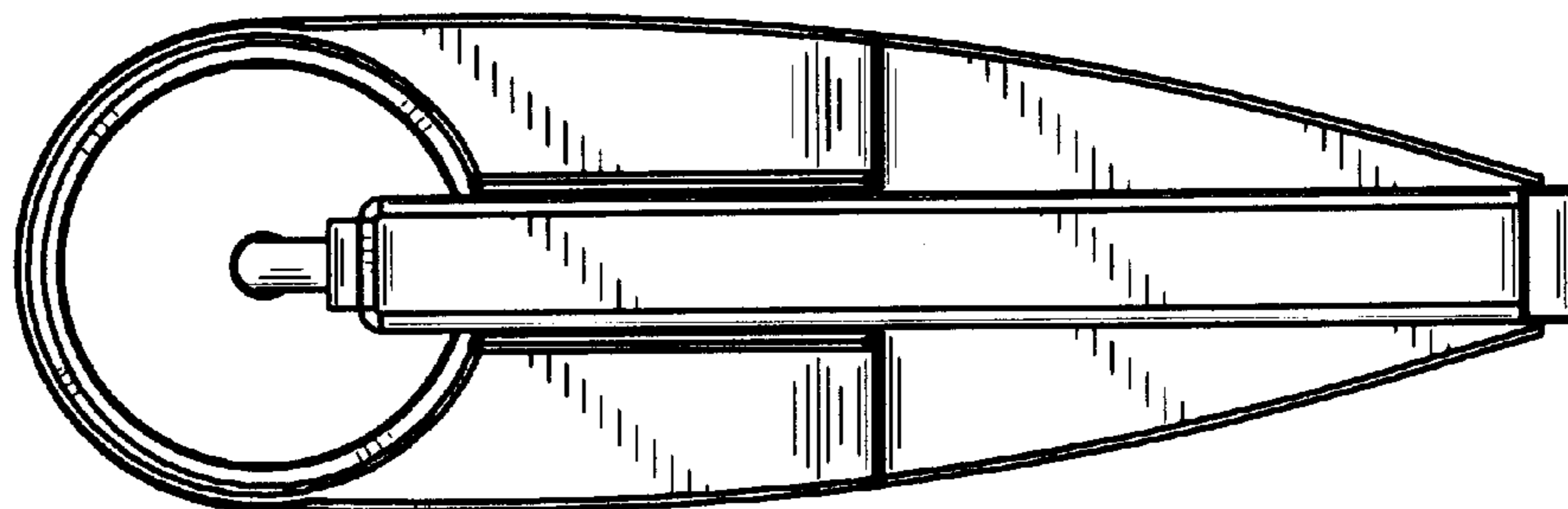


Fig. 5

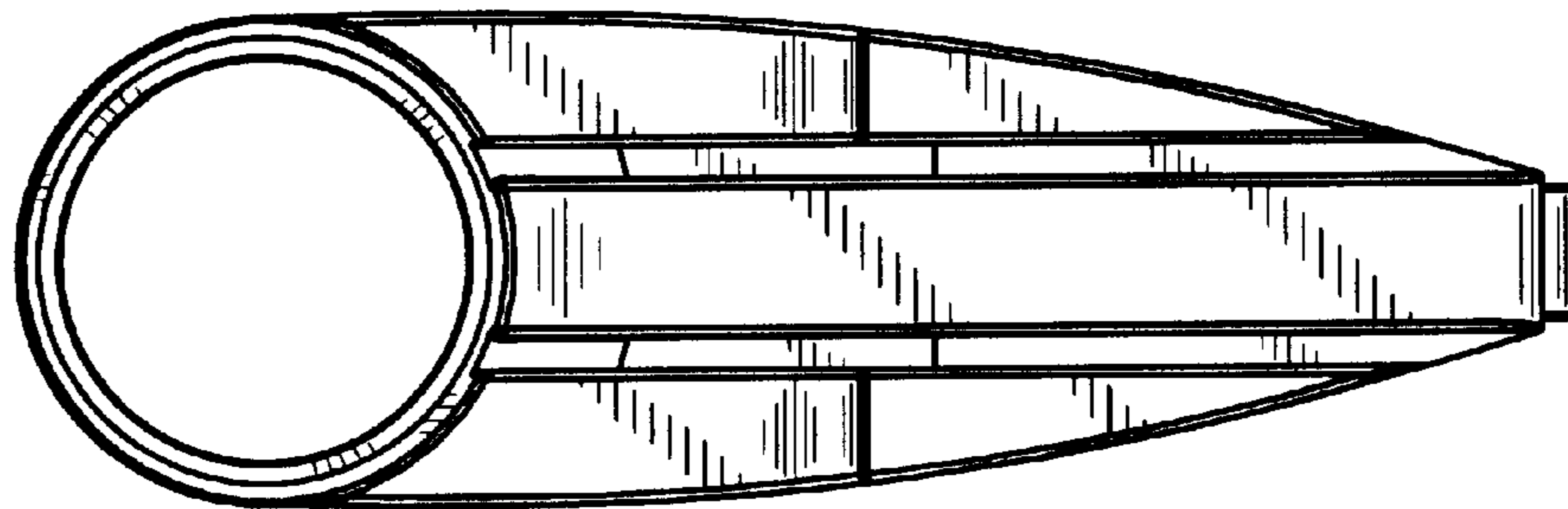


Fig. 6