



US00D437525S

(12) **United States Design Patent**
Strohmeyer

(10) **Patent No.:** **US D437,525 S**

(45) **Date of Patent:** **** Feb. 13, 2001**

(54) **DETACHABLE MERCHANDISER FOR A BEVERAGE DISPENSER**

(75) **Inventor:** **Darwin L. Strohmeyer**, Spring Branch, TX (US)

(73) **Assignee:** **Lancer Partnership, Ltd.**, San Antonio, TX (US)

(**) **Term:** **14 Years**

(21) **Appl. No.:** **29/104,723**
(22) **Filed:** **May 11, 1999**

(51) **LOC (7) Cl.** **07-01**
(52) **U.S. Cl.** **D7/397; D20/42**
(58) **Field of Search** D7/387, 397, 213, D7/300, 307, 311, 308; D20/10, 42, 40; D15/79; 222/129.1, 88, 146.6; 210/232, 466, 474

(56) **References Cited**

U.S. PATENT DOCUMENTS

- D. 231,502 * 4/1974 Allard D7/308
- D. 233,271 * 10/1974 Holcomb D7/308
- D. 284,159 * 6/1986 Crosby et al. D7/311
- D. 289,880 * 5/1987 Stembridge et al. D7/397
- D. 302,369 * 7/1989 Schechter et al. D7/308
- D. 304,413 * 11/1989 Schechter et al. D7/397
- D. 311,844 * 11/1990 Chase et al. D7/308
- D. 343,332 * 1/1994 Schroeder et al. D7/308
- D. 365,490 * 12/1995 Pomeroy D7/309
- D. 365,962 * 1/1996 Amundsen et al. D7/311
- D. 372,273 * 7/1996 Egan et al. D20/42

- D. 381,857 * 8/1997 Swaim D7/307
- D. 391,971 * 3/1998 Dorsey D15/79
- D. 400,753 * 11/1998 Pryor et al. D7/307
- D. 404,242 * 1/1999 Schroeder D7/307
- D. 406,610 * 3/1999 Mitchell et al. D20/42
- D. 408,206 * 4/1999 Stafford et al. D7/306
- D. 413,764 * 9/1999 Applegate et al. D7/397
- D. 424,538 * 5/2000 Hayashi et al. D14/113

* cited by examiner

Primary Examiner—M. N. Pandozzi

(74) *Attorney, Agent, or Firm*—Christopher L. Makay

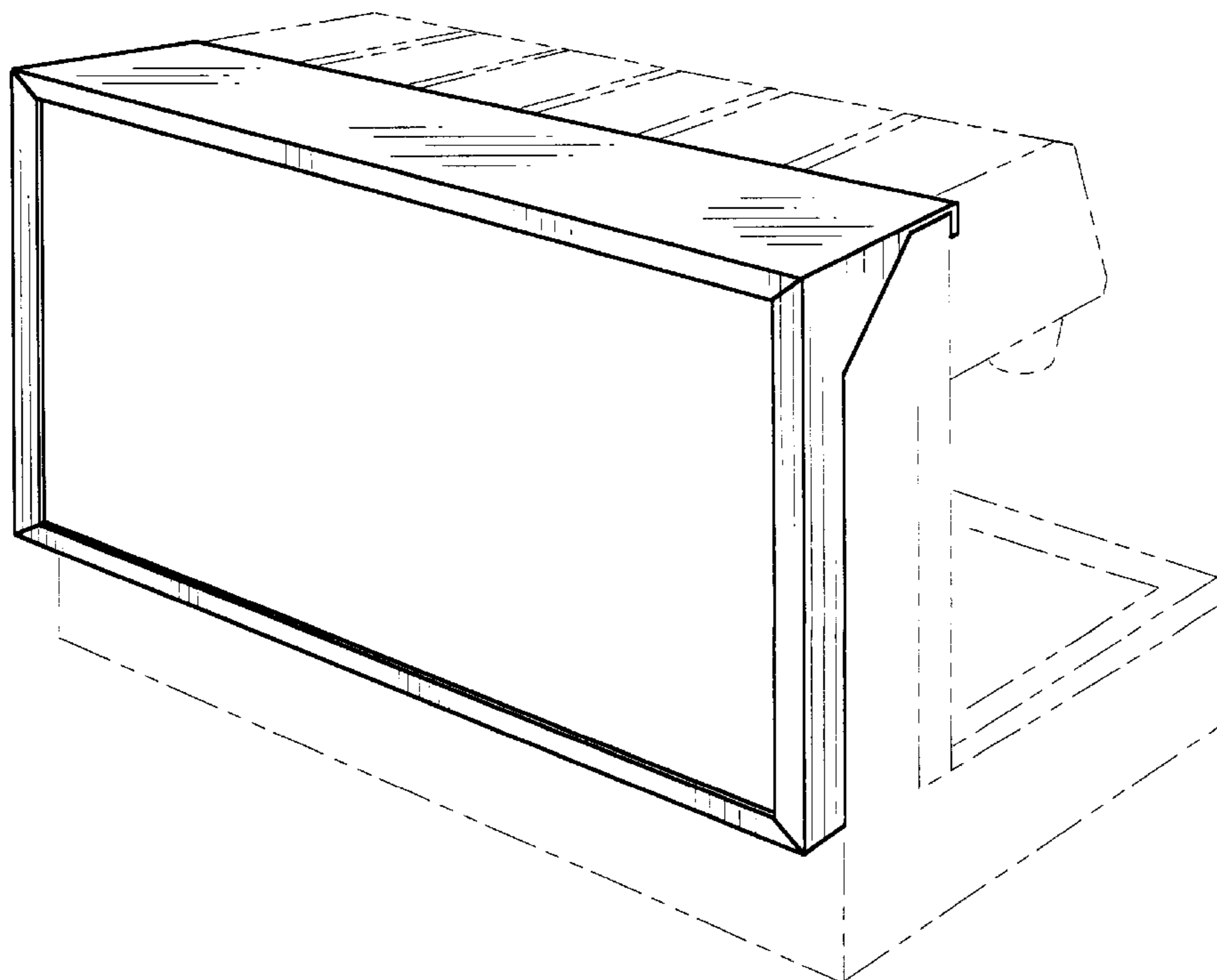
(57) **CLAIM**

The ornamental design for a detachable merchandiser for a beverage dispenser, as shown and described.

DESCRIPTION

FIG. 1 is a perspective view of the detachable merchandiser for a beverage dispenser.
 FIG. 2 is a top plan view thereof.
 FIG. 3 is a front elevation view thereof.
 FIG. 4 is a rear elevation view thereof.
 FIG. 5 is a bottom plan view thereof.
 FIG. 6 is a right side elevation view thereof.
 FIG. 7 is a left side elevation view thereof; and,
 FIG. 8 is a perspective view thereof illustrating the detachable merchandiser for a beverage dispenser mounted on a beverage dispenser.
 The broken line showing of a beverage dispenser in FIG. 8 is for illustrative purposes only and forms no part of the claimed design.

1 Claim, 4 Drawing Sheets



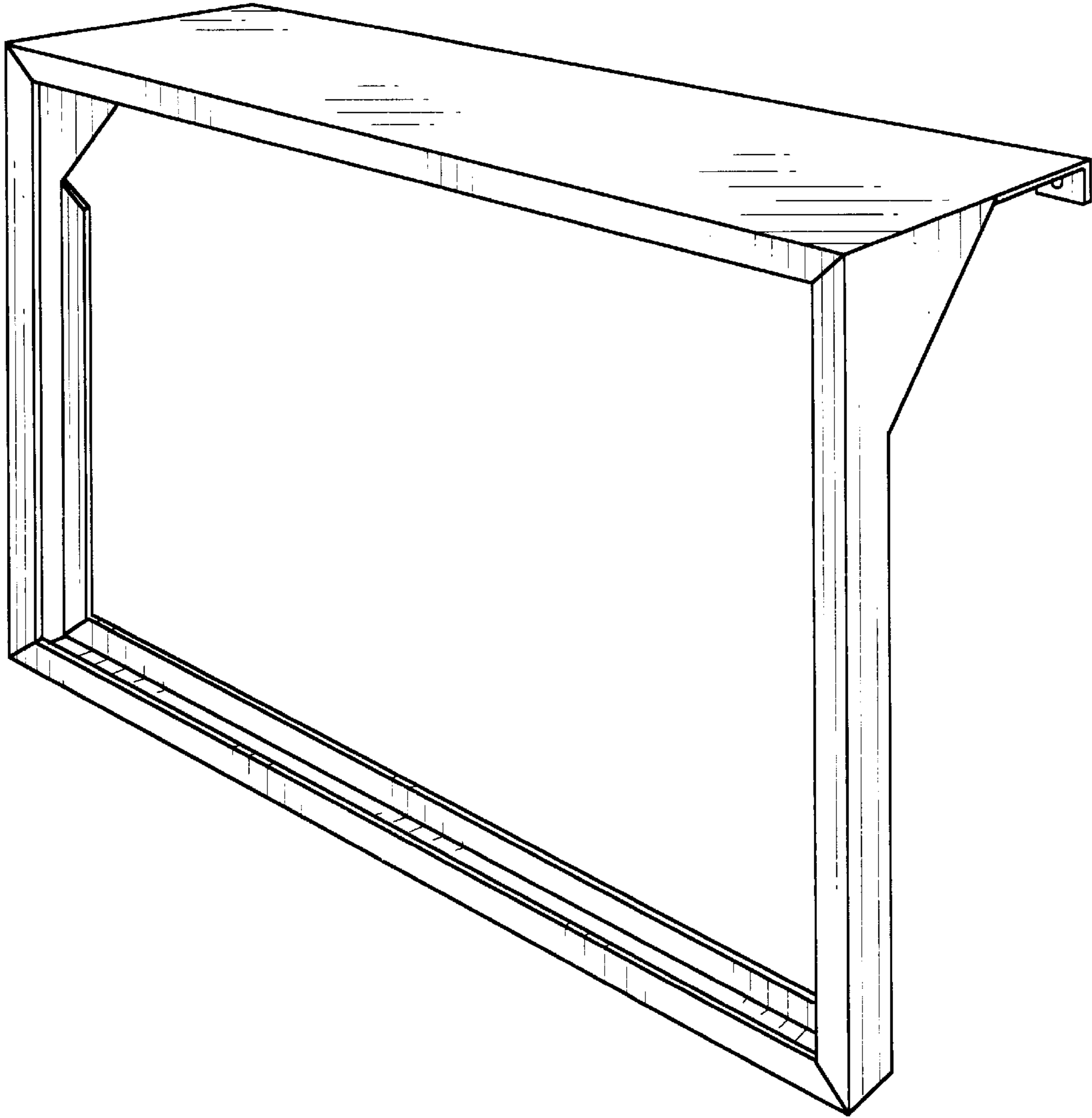


Fig. 1

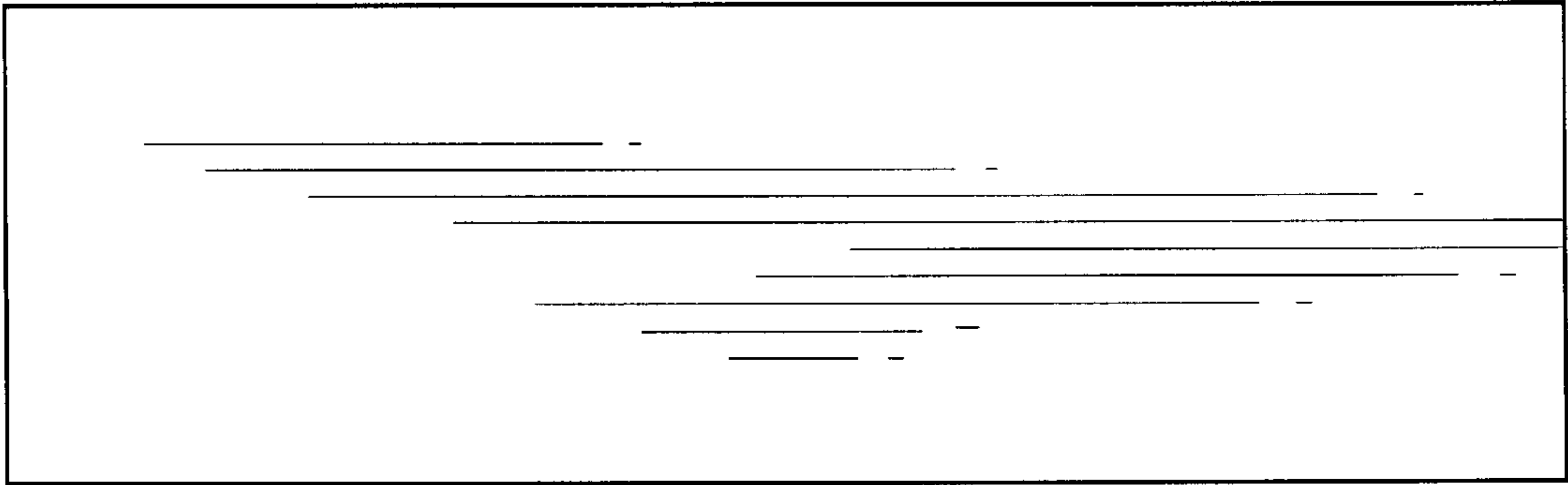


Fig. 2

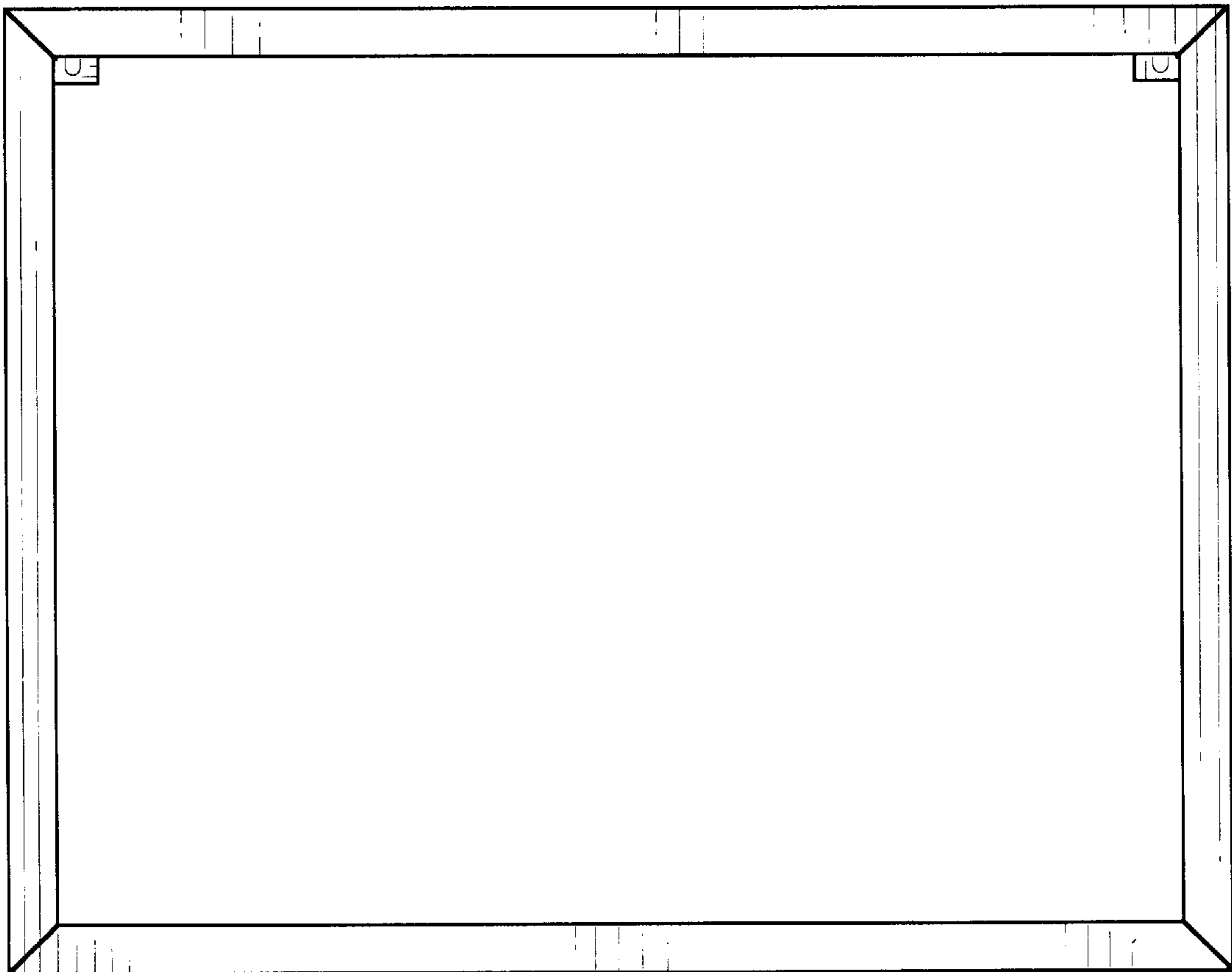


Fig. 3

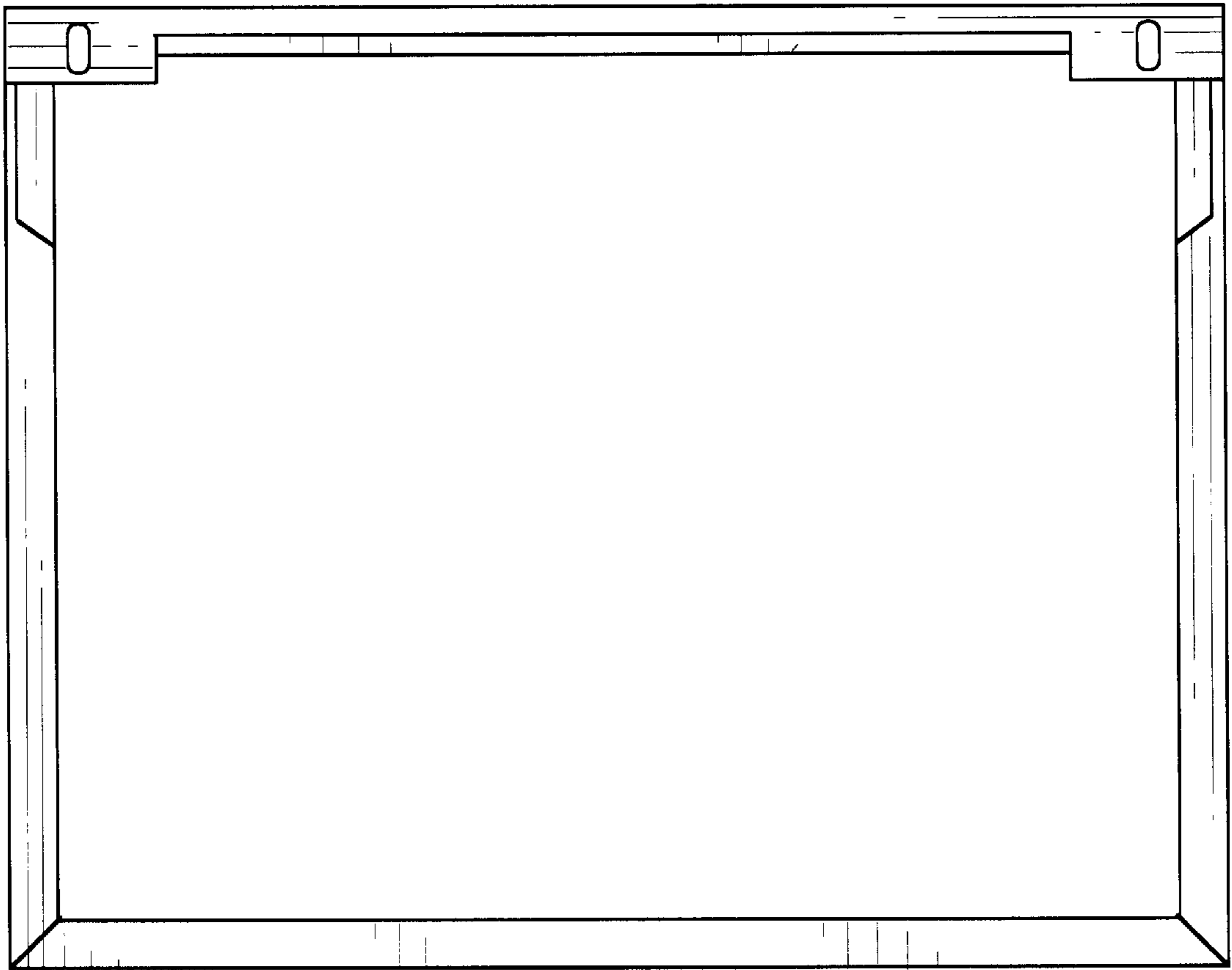


Fig. 4

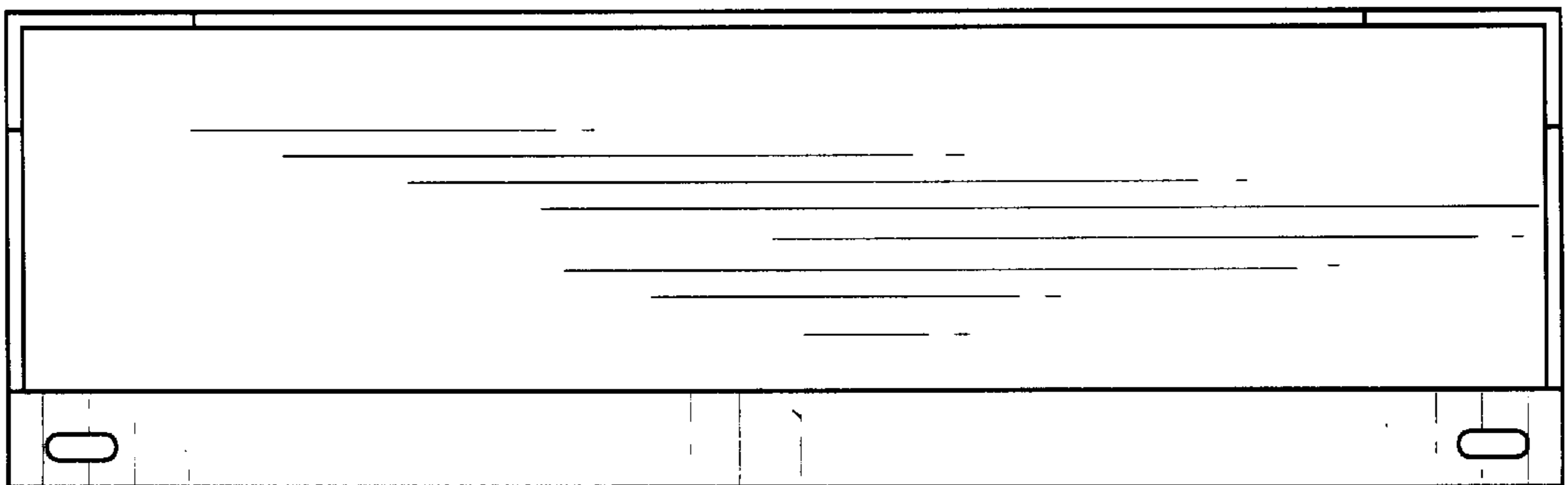


Fig. 5

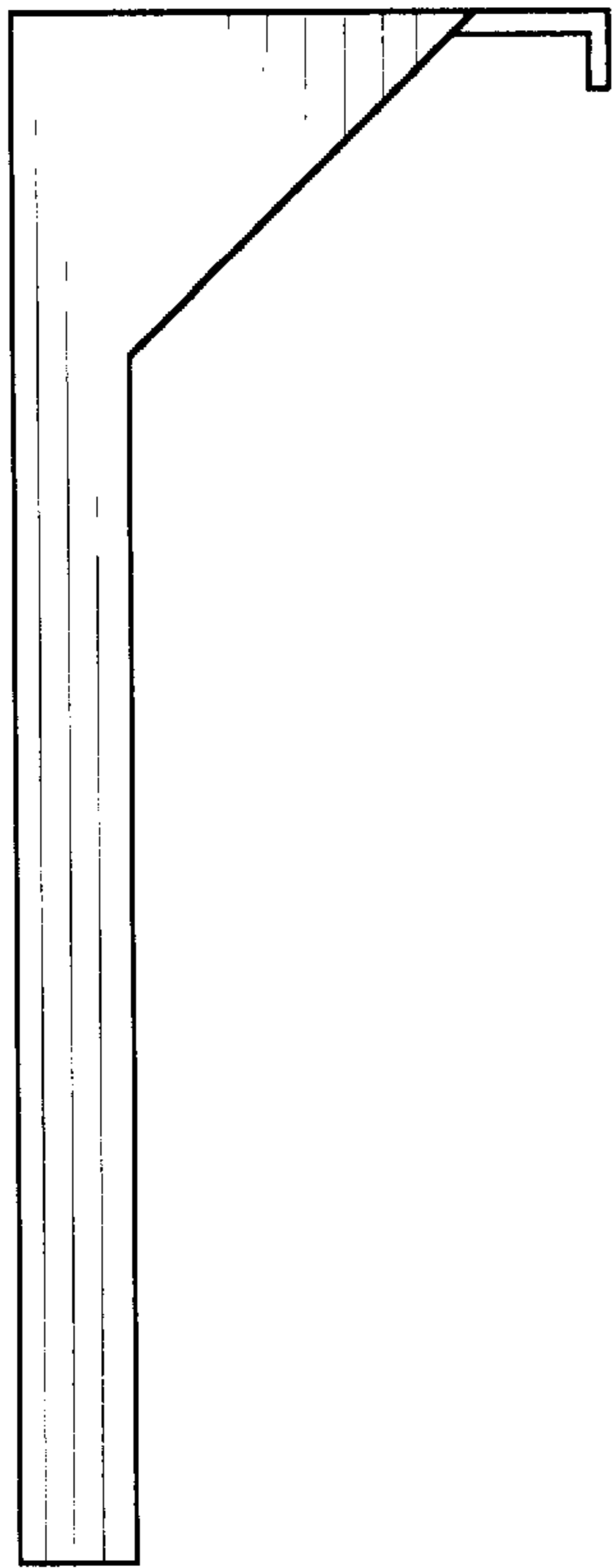


Fig. 6

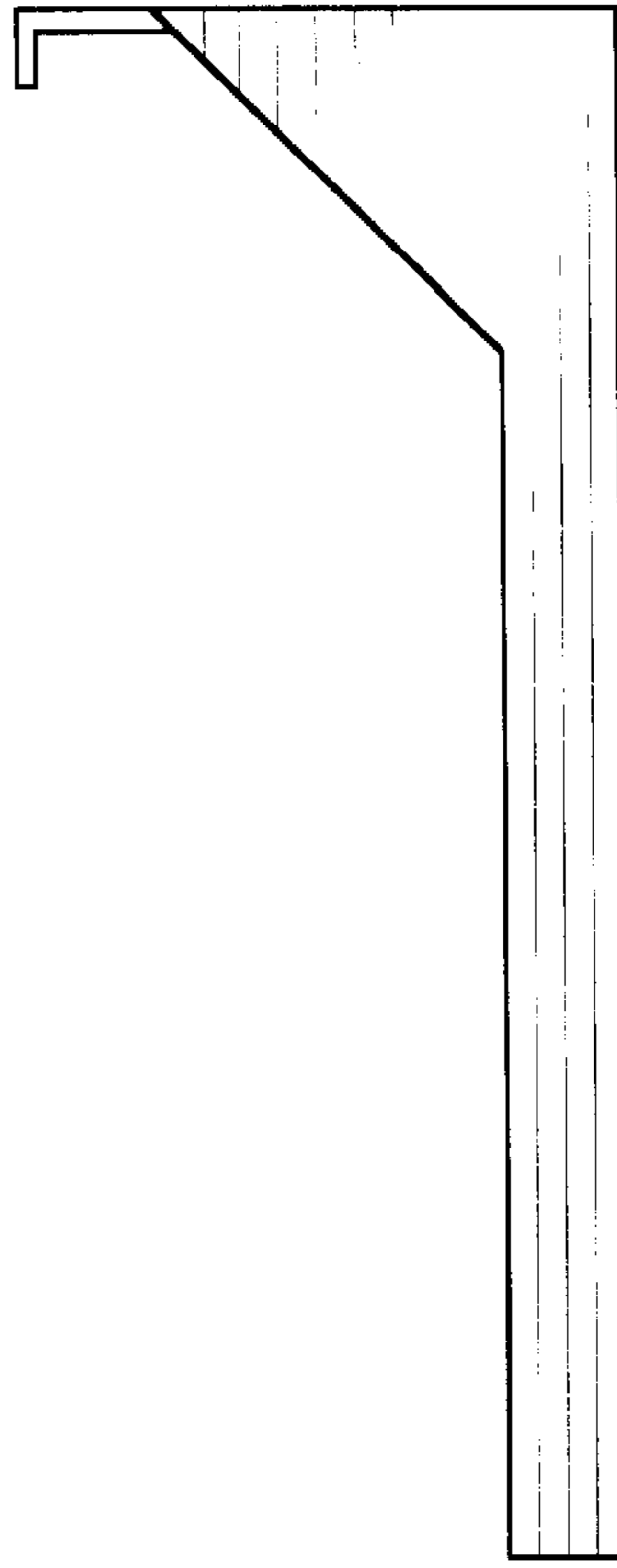


Fig. 7

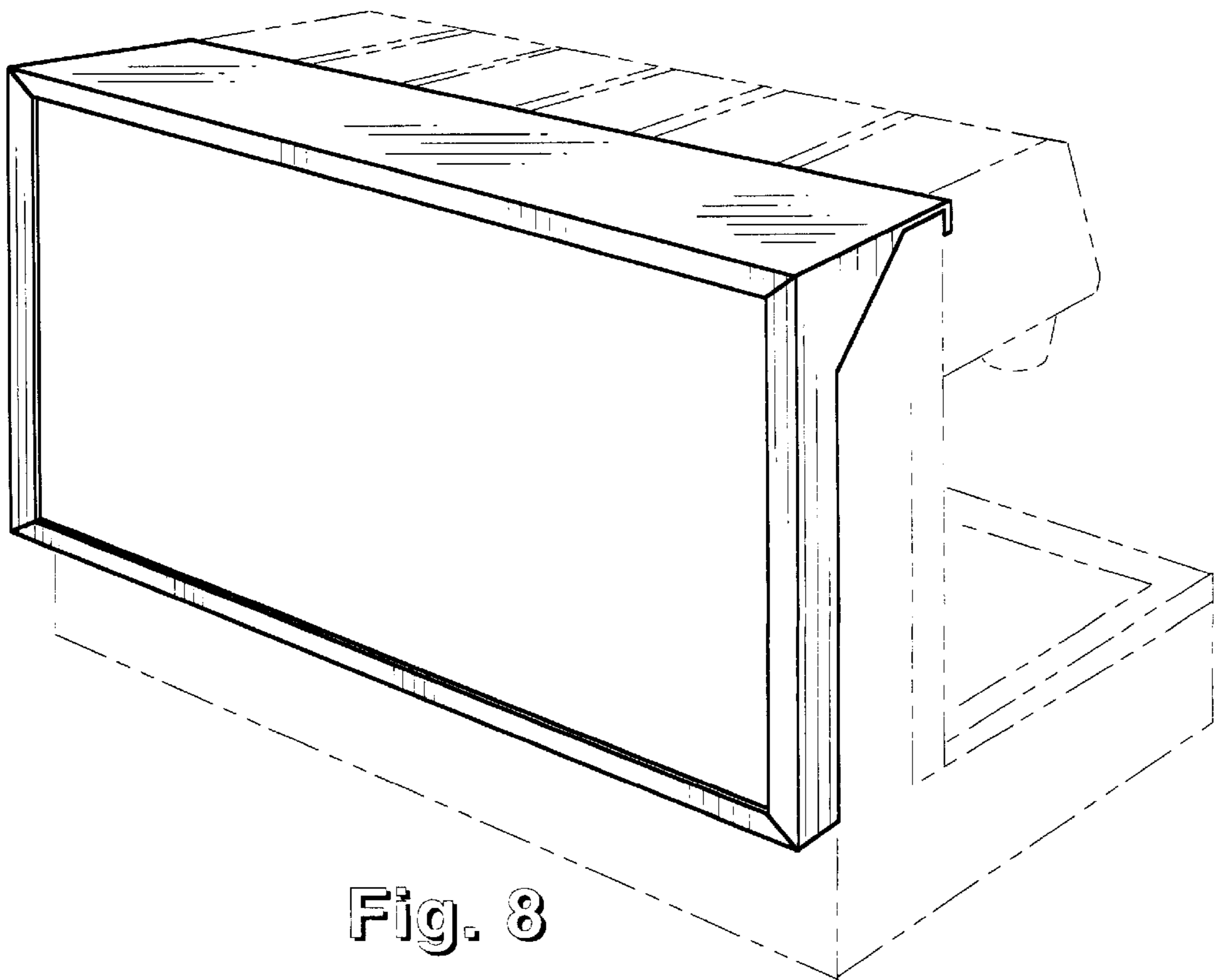


Fig. 8