



US00D437523S

(12) **United States Design Patent**
Glucksman et al.

(10) **Patent No.:** **US D437,523 S**

(45) **Date of Patent:** **** Feb. 13, 2001**

(54) **COFFEE GRINDER**

(75) Inventors: **Dov Z. Glucksman**, Wenham, MA
(US); **Samuel Kjellman**, Henniker, NH
(US)

(73) Assignee: **Appliance Development Corporation**,
Danvers, MA (US)

(**) Term: **14 Years**

(21) Appl. No.: **29/102,756**

(22) Filed: **Mar. 31, 1999**

(51) **LOC (7) Cl.** **31-00**

(52) **U.S. Cl.** **D7/373**

(58) **Field of Search** D7/372, 373, 374,
D7/383, 384, 665, 679; 241/168, 169, 169.1,
273.3, 277, 279, 280

(56) **References Cited**

U.S. PATENT DOCUMENTS

- D. 89,363 * 2/1933 Streckfuss D7/665
- D. 89,652 * 4/1933 Preston D7/665
- D. 179,948 * 3/1957 Madl D7/665
- D. 190,272 * 5/1961 Slagell D7/665
- D. 339,502 * 9/1993 Kamiyama D7/384
- D. 365,245 * 12/1995 Joergensen D7/373

- D. 366,595 * 1/1996 Dobson et al. D7/373
- 2,210,256 * 8/1940 Potocek D7/665 X
- 3,552,460 * 1/1971 Cooney 241/169.1

* cited by examiner

Primary Examiner—Robert M. Spear

(74) *Attorney, Agent, or Firm*—George A. Herbster;
Pearson & Pearson

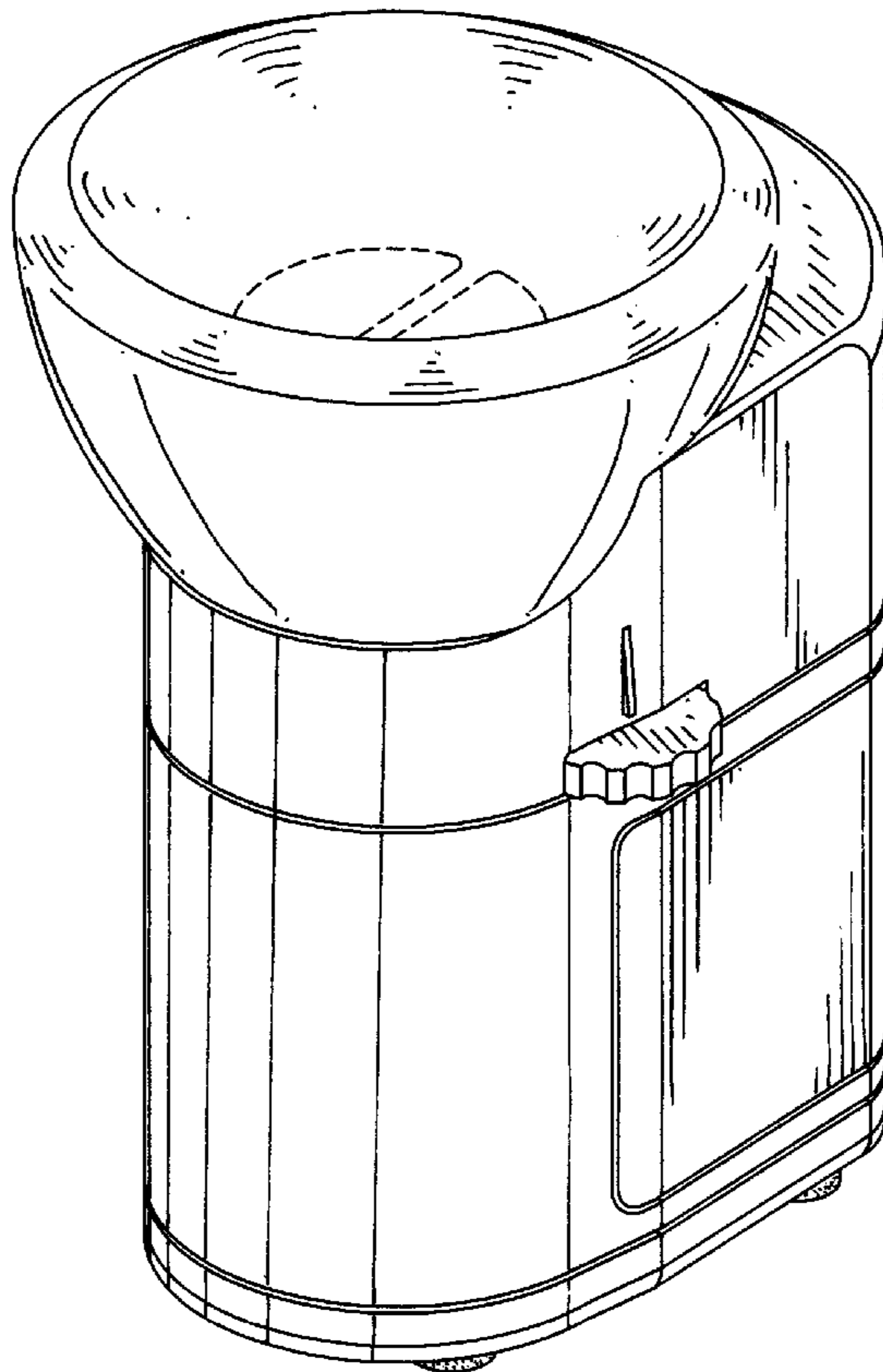
(57) **CLAIM**

The ornamental design for a coffee grinder, as shown and described.

DESCRIPTION

FIG. 1 is a perspective view of a coffee grinder showing our new design;
 FIG. 2 is a side elevational view of the coffee grinder taken from right side of the perspective view in FIG. 1;
 FIG. 3 is a side elevational view of the coffee grinder taken from the left side of the perspective view in FIG. 1;
 FIG. 4 is a top plan view of the coffee grinder;
 FIG. 5 is a bottom plan view of the coffee grinder;
 FIG. 6 is a front elevational view of the coffee grinder; and,
 FIG. 7 is a back elevational view of the coffee grinder.
 The broken lines in the drawings are for illustrative purposes only and form no part of the claimed design.

1 Claim, 4 Drawing Sheets



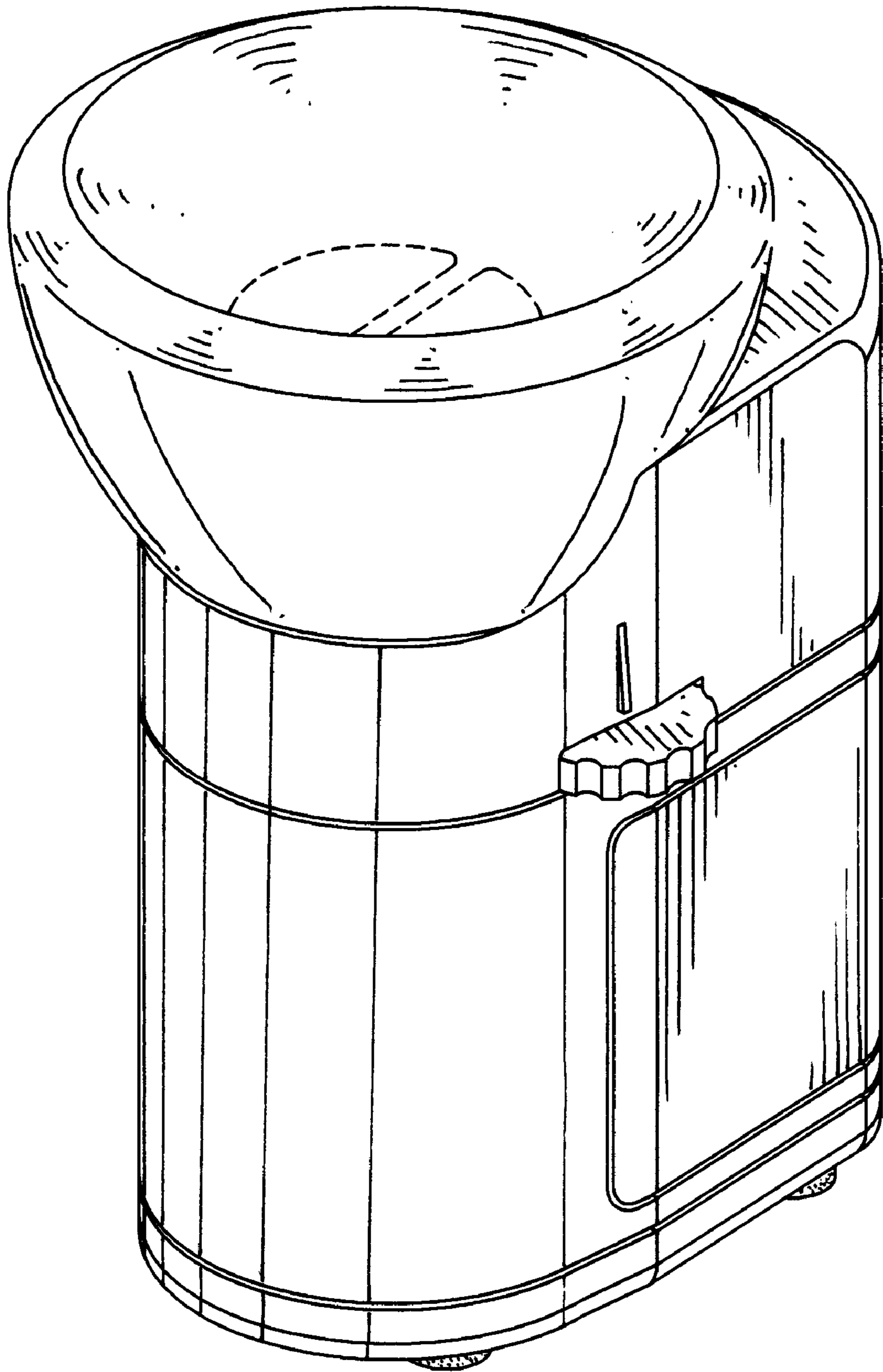


FIG. 1

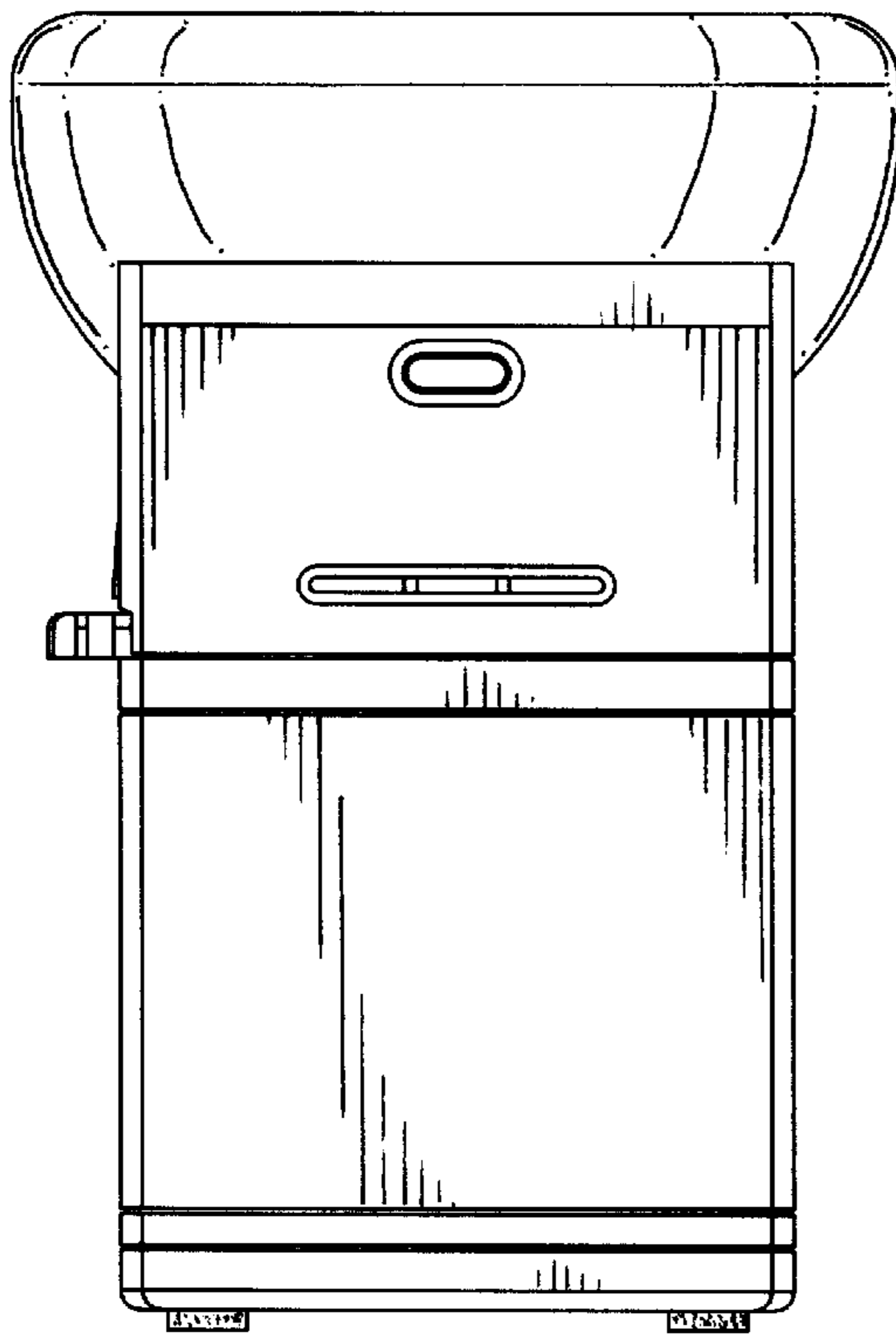


FIG. 2

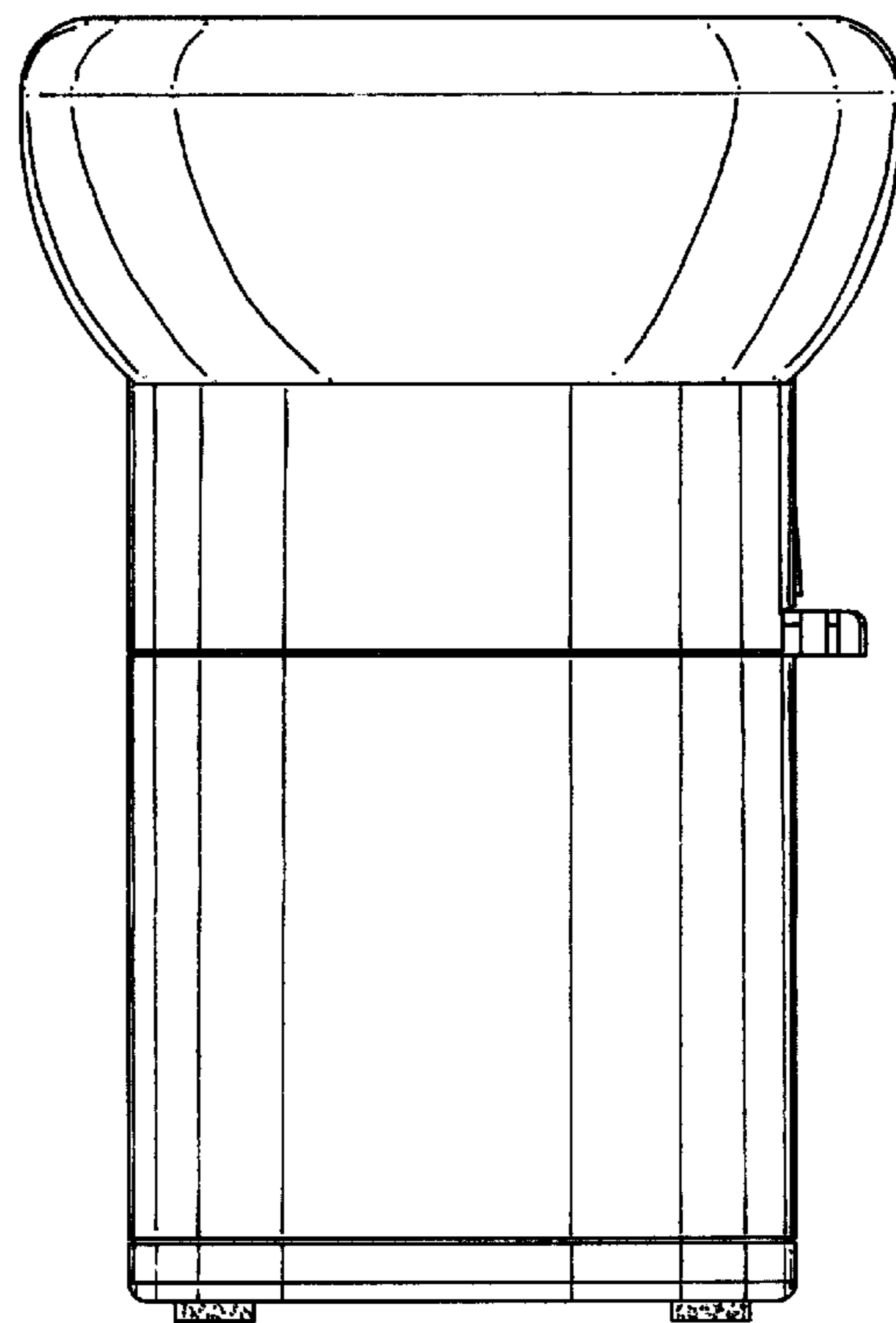


FIG. 3

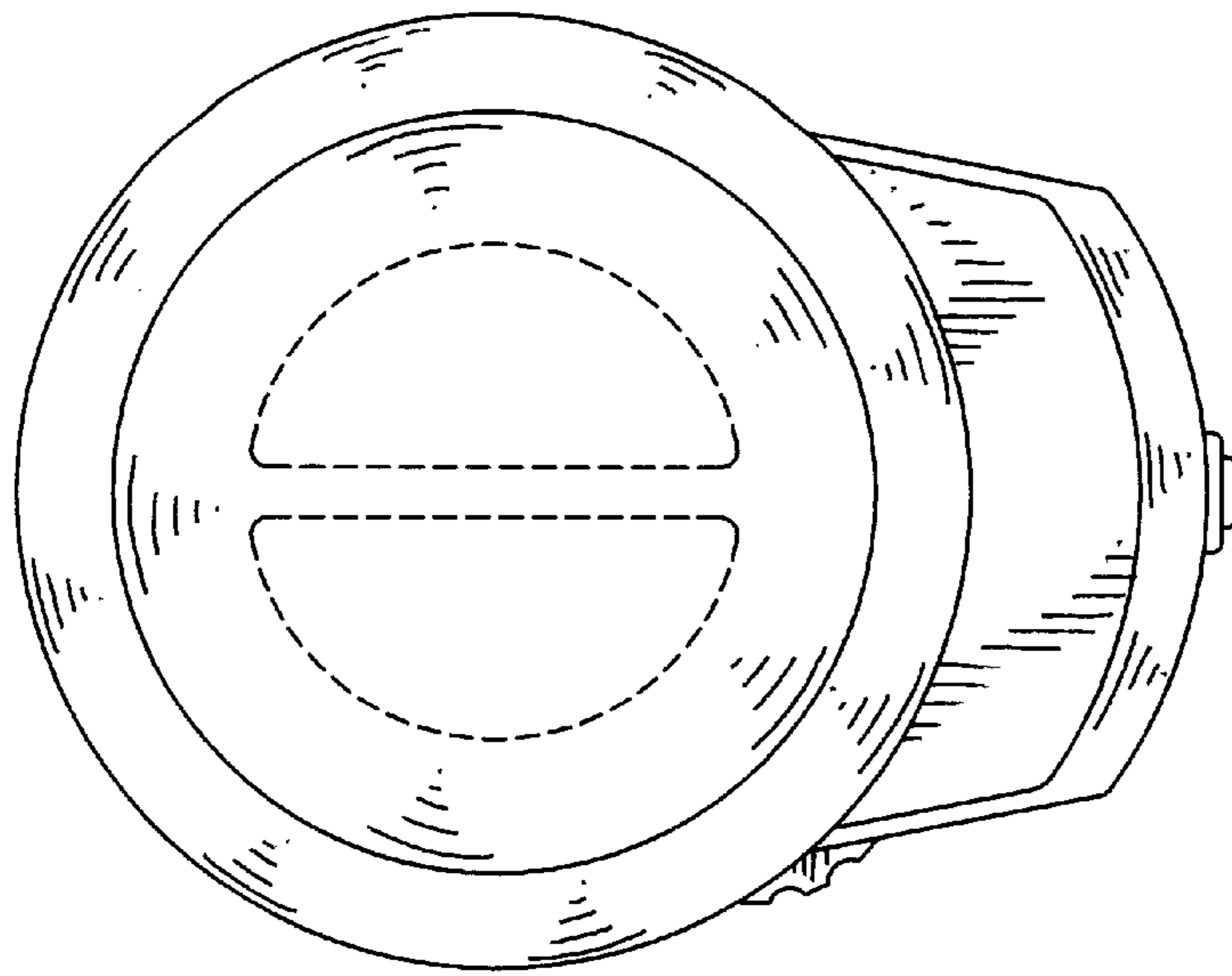


FIG. 4

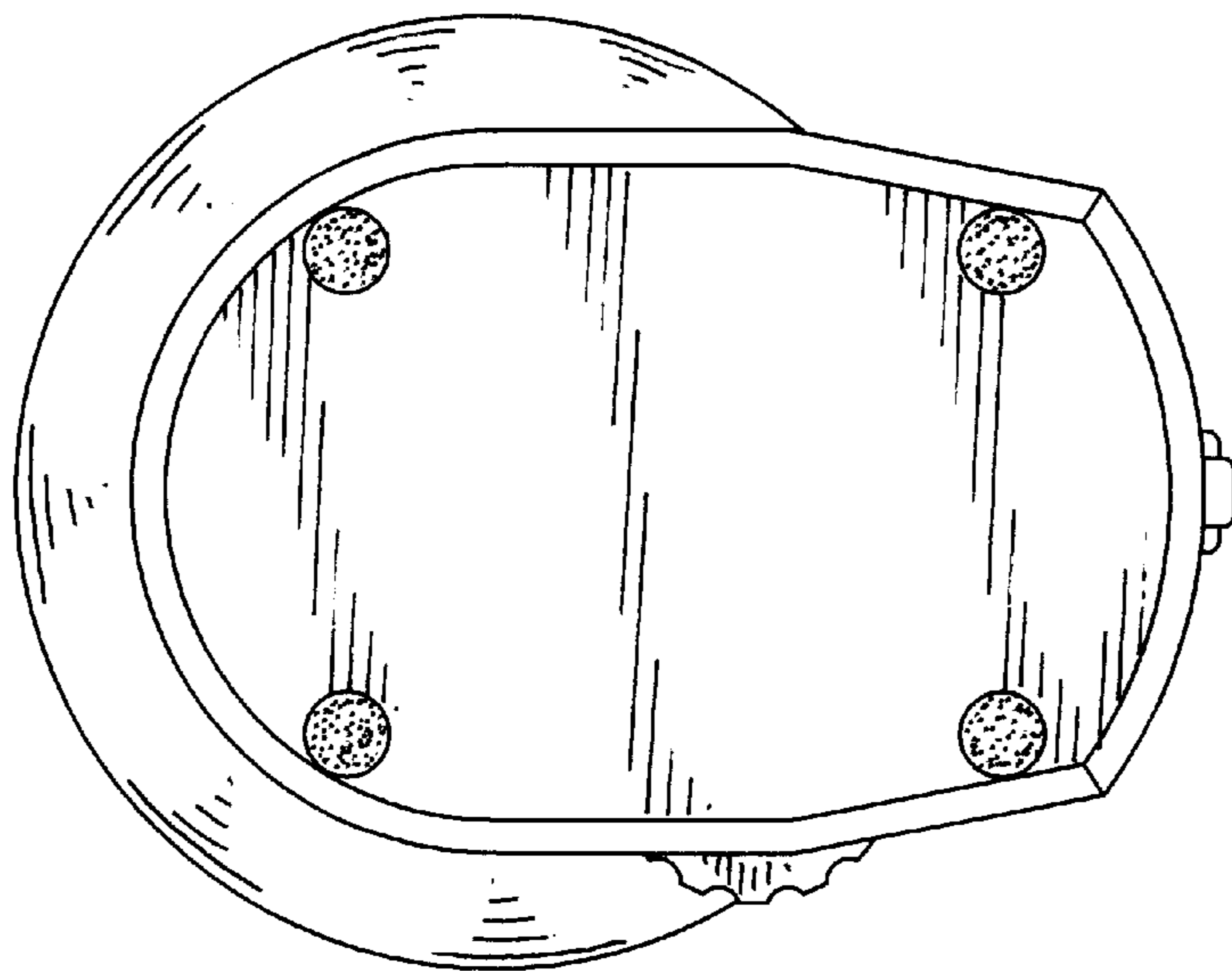


FIG. 5

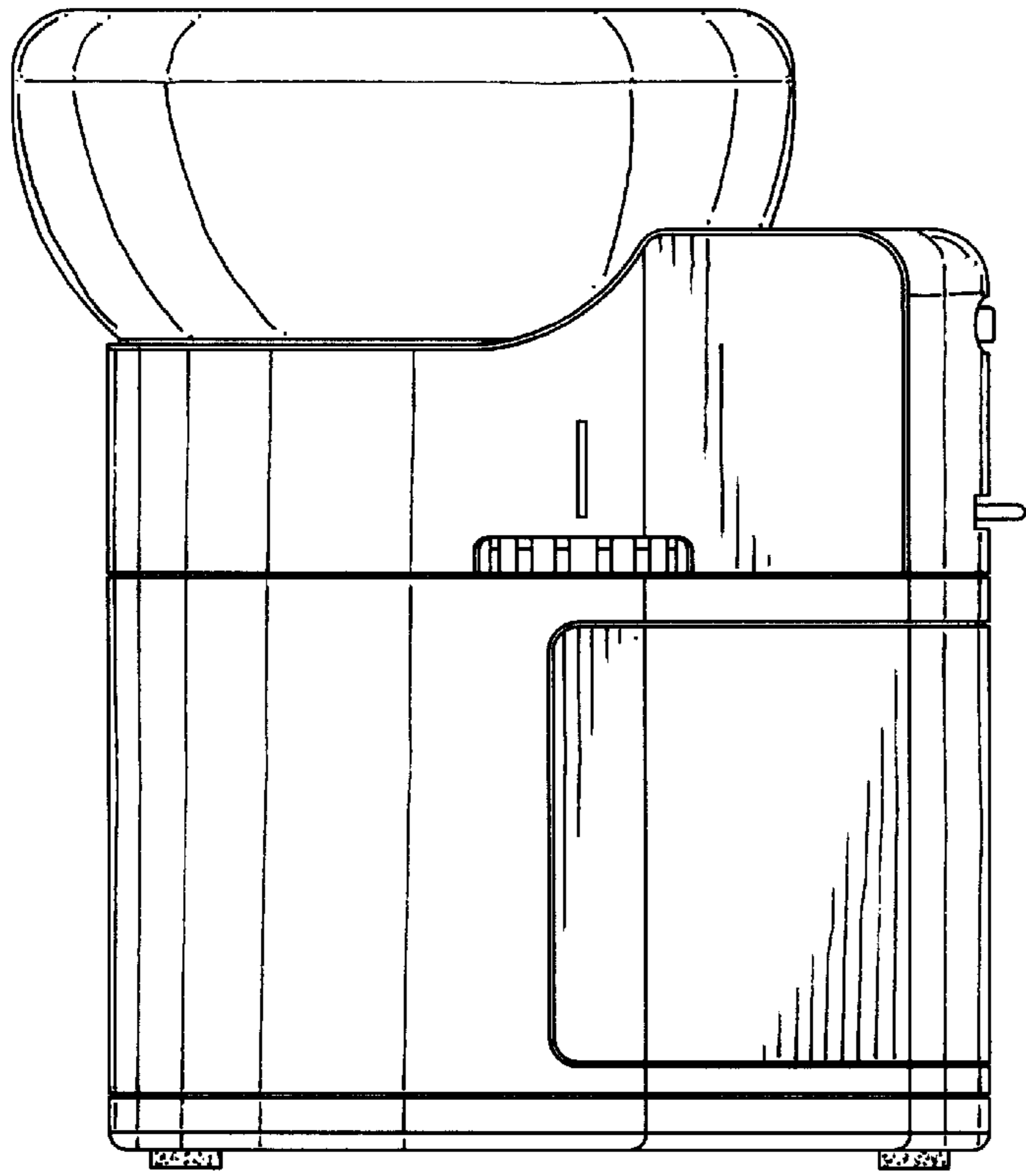


FIG. 6

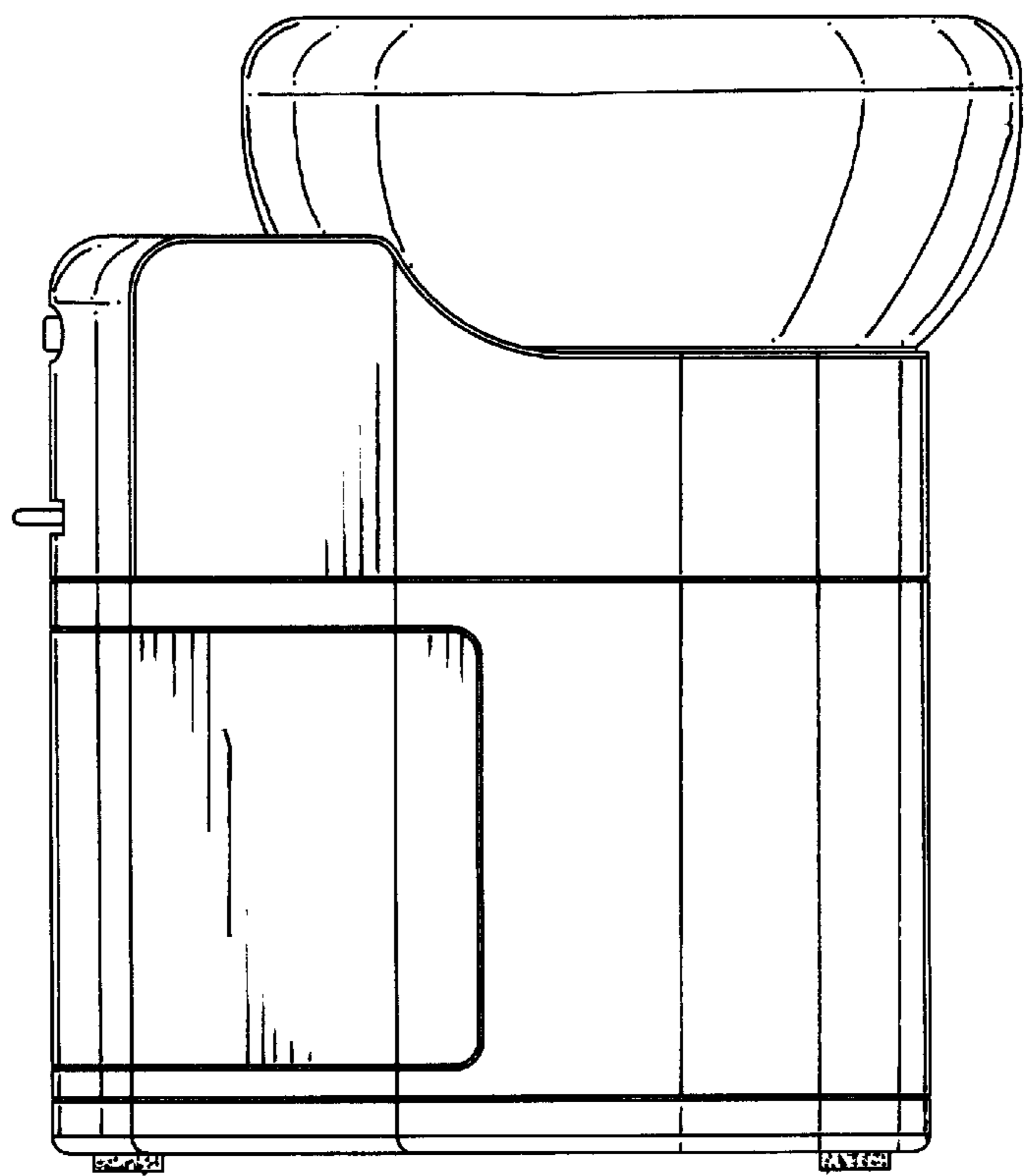


FIG. 7