



US00D437522S

(12) **United States Design Patent** (10) **Patent No.:** **US D437,522 S**  
**Measom** (45) **Date of Patent:** **\*\* Feb. 13, 2001**

(54) **DUTCH OVEN**

(75) Inventor: **S. Ty Measom**, Logan, UT (US)

(73) Assignee: **Dutro Company**, Emeryville, CA (US)

(\*\*) Term: **14 Years**

(21) Appl. No.: **29/124,045**

(22) Filed: **May 30, 2000**

(51) **LOC (7) Cl.** ..... **07-02**

(52) **U.S. Cl.** ..... **D7/354**

(58) **Field of Search** ..... D7/323, 354-361;  
99/324, 340, 412, 417, 467; 220/4.21, 573.1

(56) **References Cited**

**U.S. PATENT DOCUMENTS**

63,772 *	4/1867	Whitney	99/410
77,884 *	5/1868	Isham	99/340
D. 91,487 *	2/1934	Johnson	D7/356
106,457 *	8/1870	Berry	99/417
D. 125,447 *	2/1941	Jones, Jr. et al.	D7/355
554,996 *	2/1896	Erlam	99/412
797,314 *	8/1905	Owens	220/4.21
5,988,050 *	11/1999	Foster, Jr.	99/467

\* cited by examiner

*Primary Examiner*—Caron D. Veynar

(74) *Attorney, Agent, or Firm*—Harris Zimmerman

(57) **CLAIM**

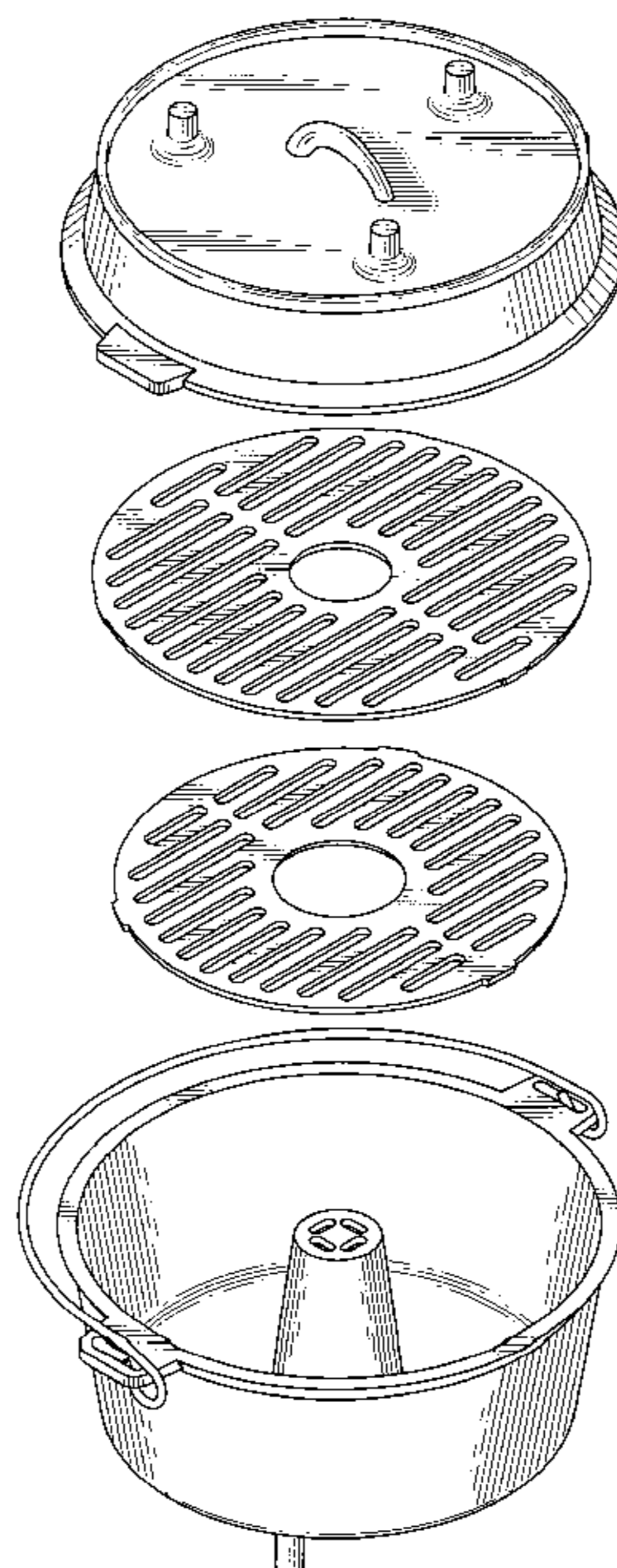
The ornamental design for a dutch oven, as shown and described.

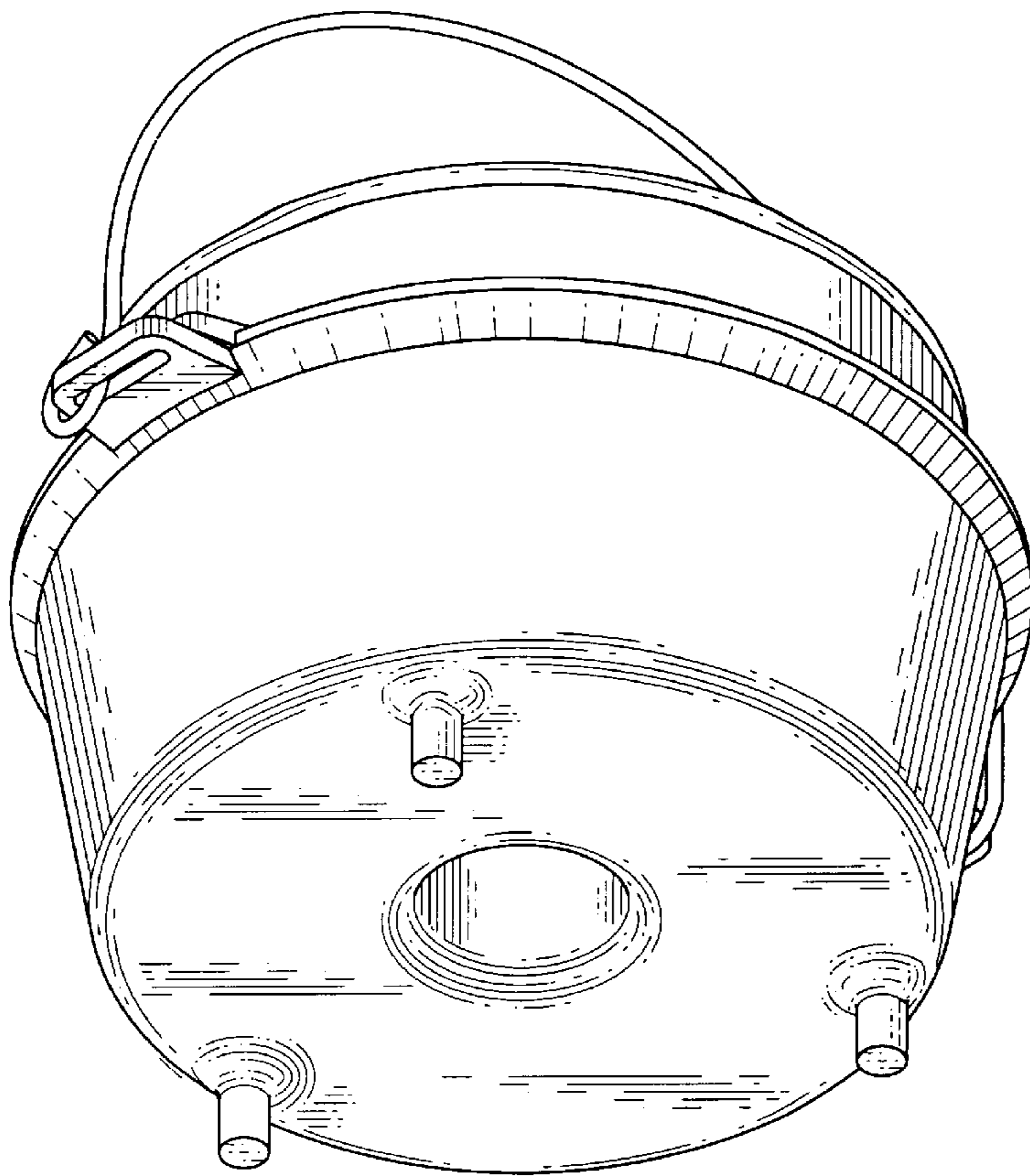
**DESCRIPTION**

FIG. 1 is a bottom perspective view of a dutch oven showing my new design;

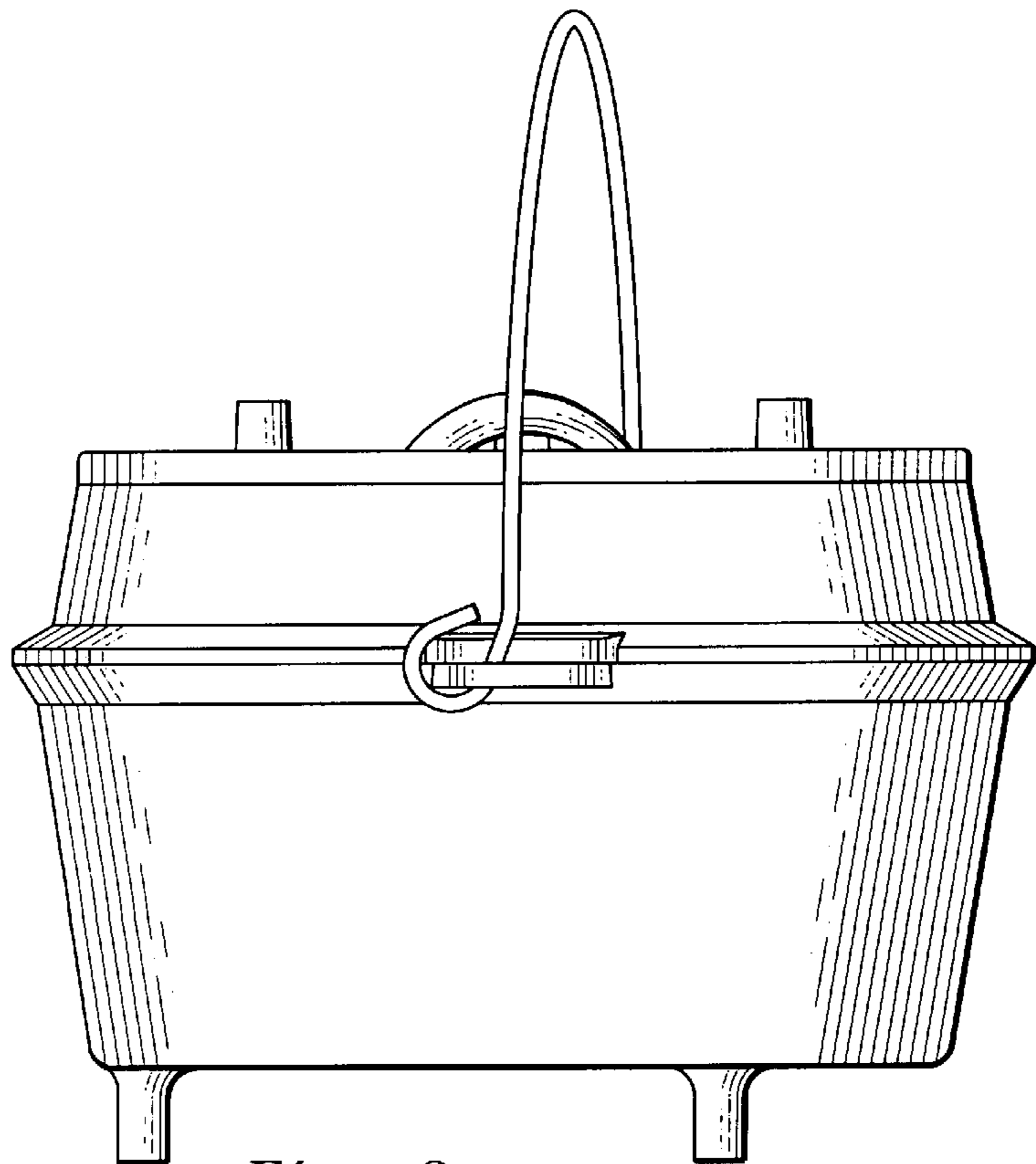
FIG. 2 is a left side view;  
 FIG. 3 is a top view;  
 FIG. 4 is a front view (the back view being a mirror image thereof);  
 FIG. 5 is a right side view;  
 FIG. 6 is a bottom view;  
 FIG. 7 is an exploded perspective view;  
 FIG. 8 is a rear view of the lid of the dutch oven shown separately for ease of illustration;  
 FIG. 9 is a bottom view of the lid of the dutch oven shown in FIG. 8;  
 FIG. 10 is a top view of the base kettle of the dutch oven shown separately for ease of illustration;  
 FIG. 11 is a top view of the lower insert grill shown separately for ease of illustration;  
 FIG. 12 is a front view of the lower insert grill shown in FIG. 11;  
 FIG. 13 is a side view of the lower insert grill shown in FIG. 11, the other side being a mirror image thereof;  
 FIG. 14 is a rear view of the lower insert grill shown in FIG. 11;  
 FIG. 15 is a bottom view of the lower insert grill shown in FIG. 11;  
 FIG. 16 is a top view of the upper insert grill shown separately for ease of illustration;  
 FIG. 17 is a front view of the upper insert grill shown in FIG. 16;  
 FIG. 18 is a side view of the upper insert grill shown in FIG. 16, the other side being a mirror image thereof;  
 FIG. 19 is a rear view of the upper insert grill shown in FIG. 16; and,  
 FIG. 20 is a bottom view of the upper insert grill shown in FIG. 16.

**1 Claim, 7 Drawing Sheets**

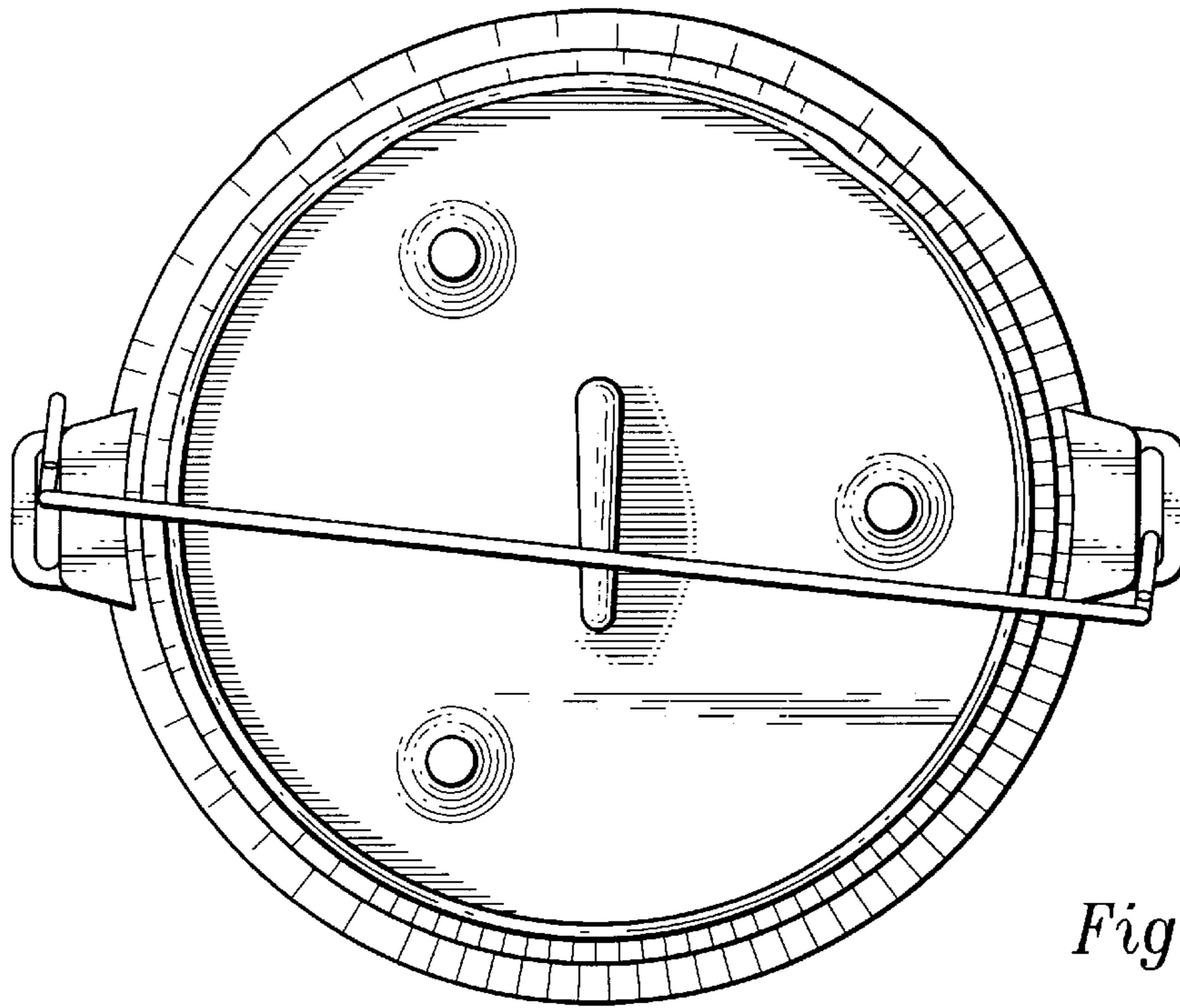




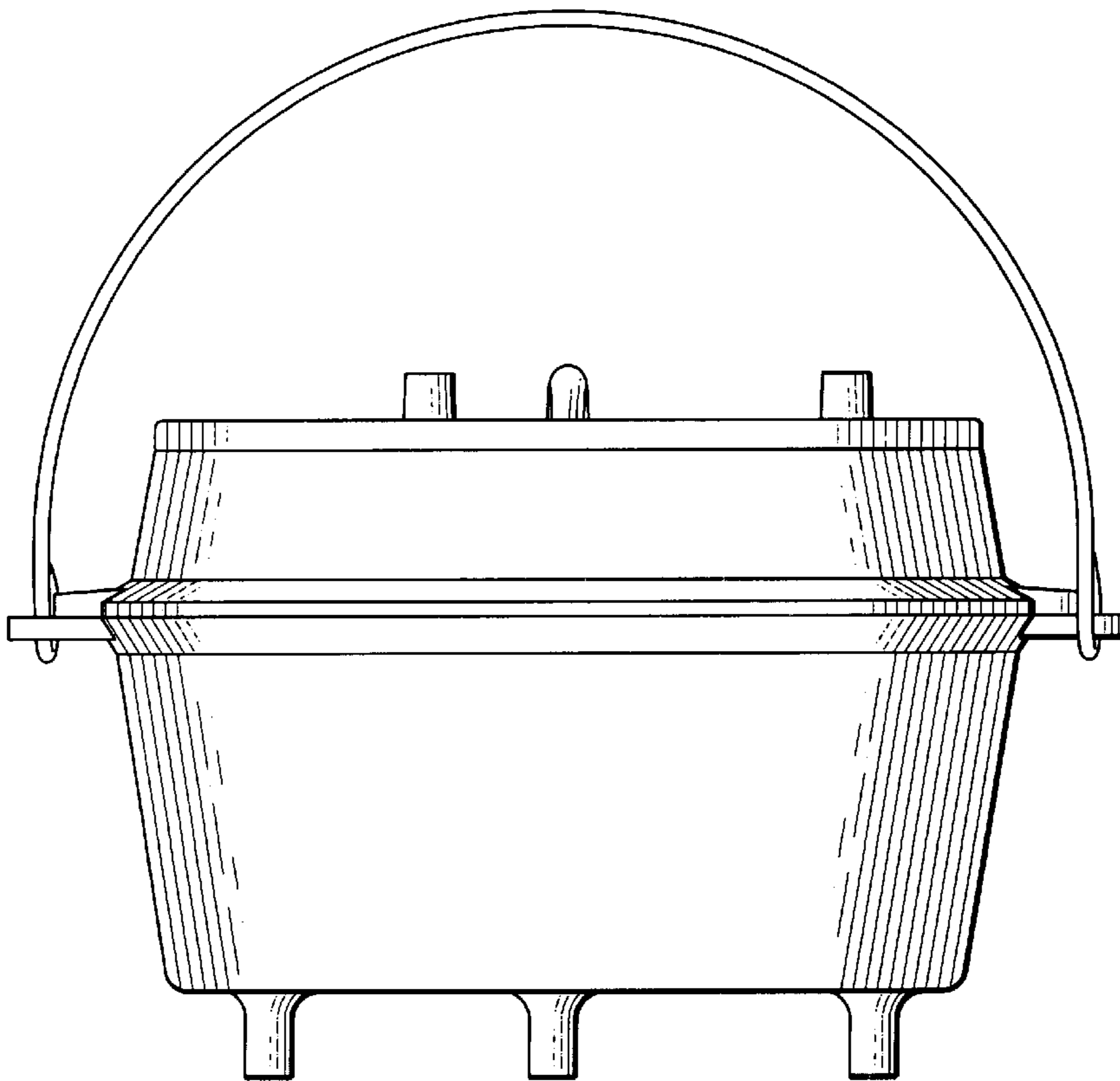
*Fig. 1*



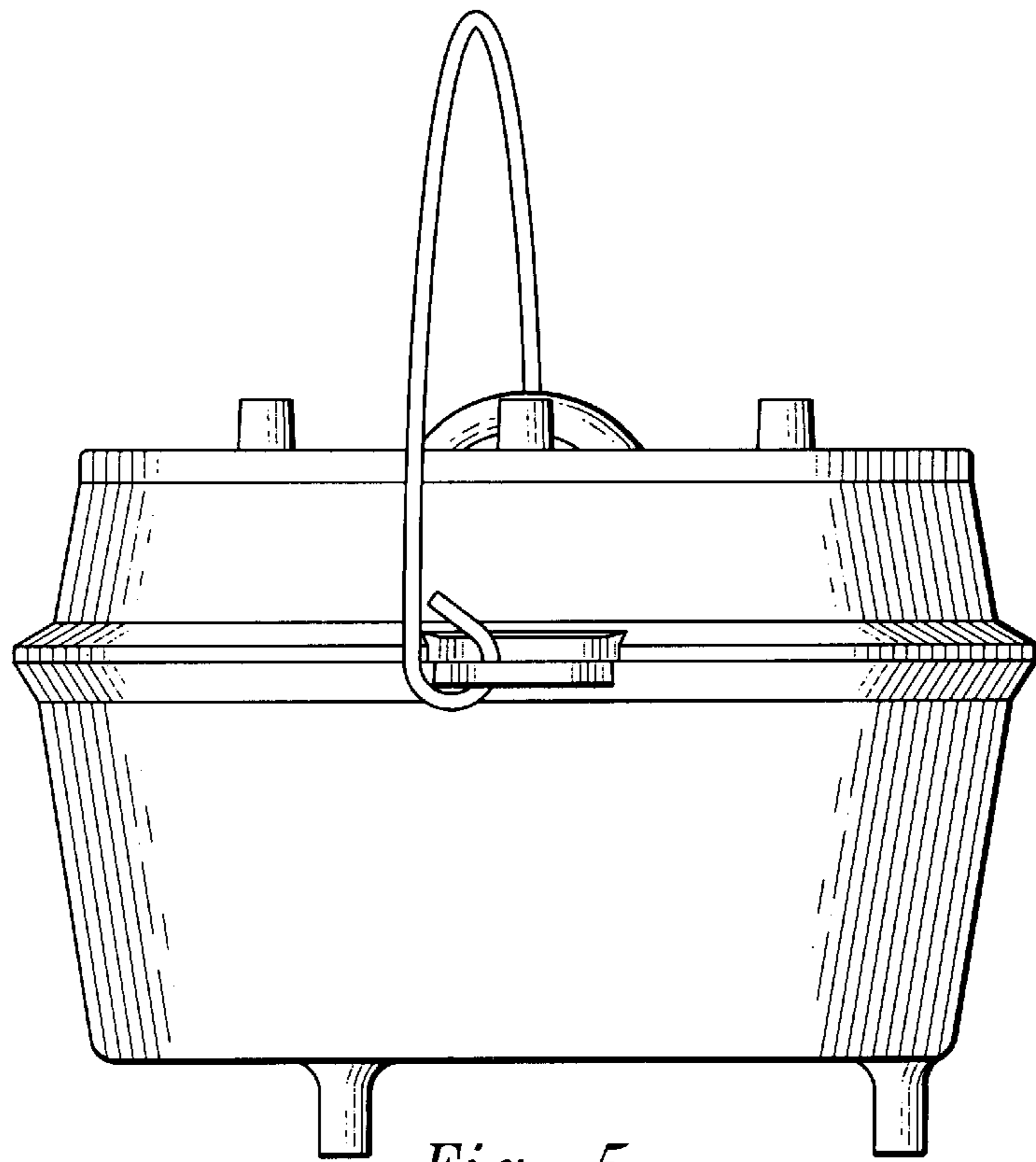
*Fig. 2*



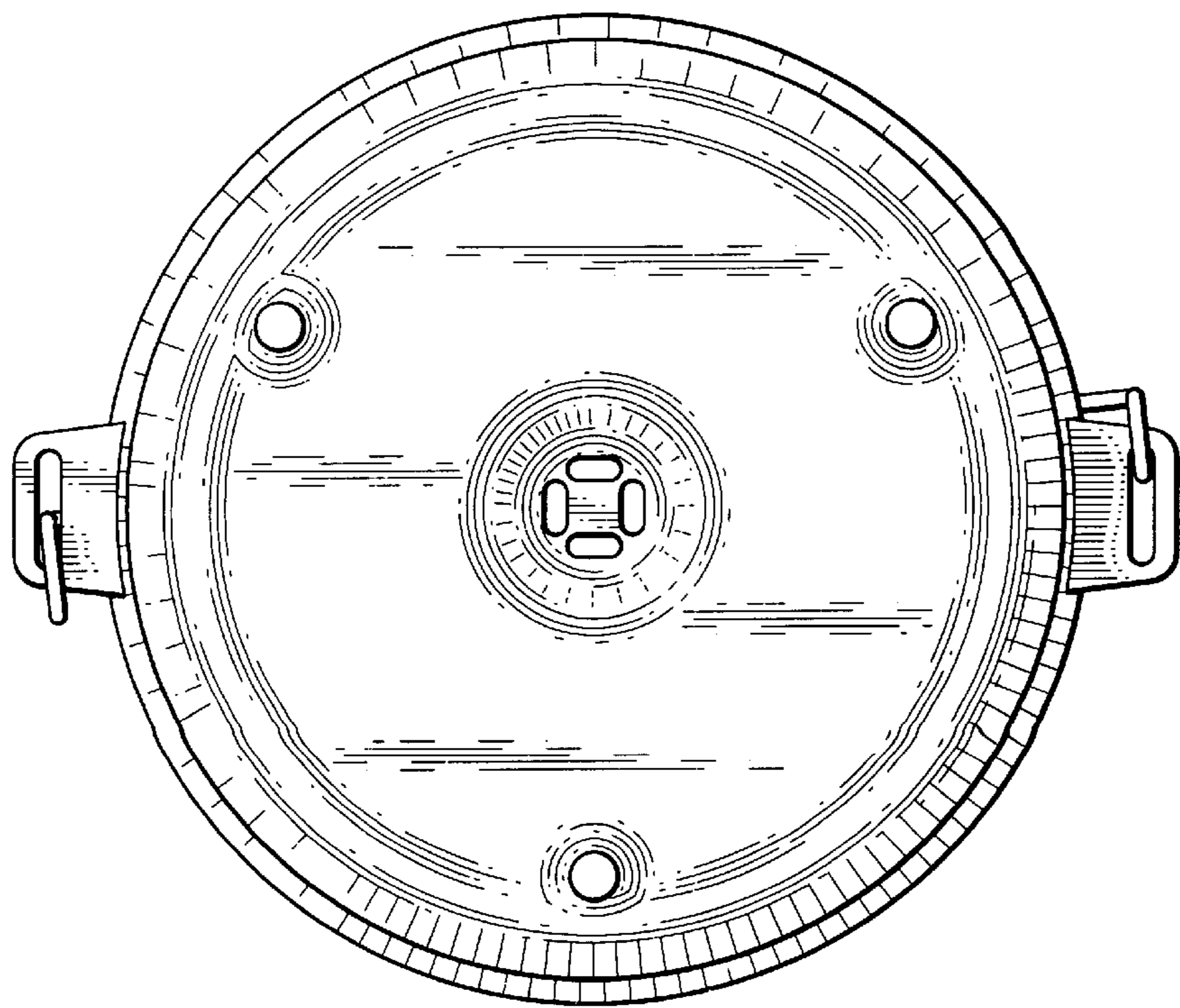
*Fig. 3*



*Fig. 4*

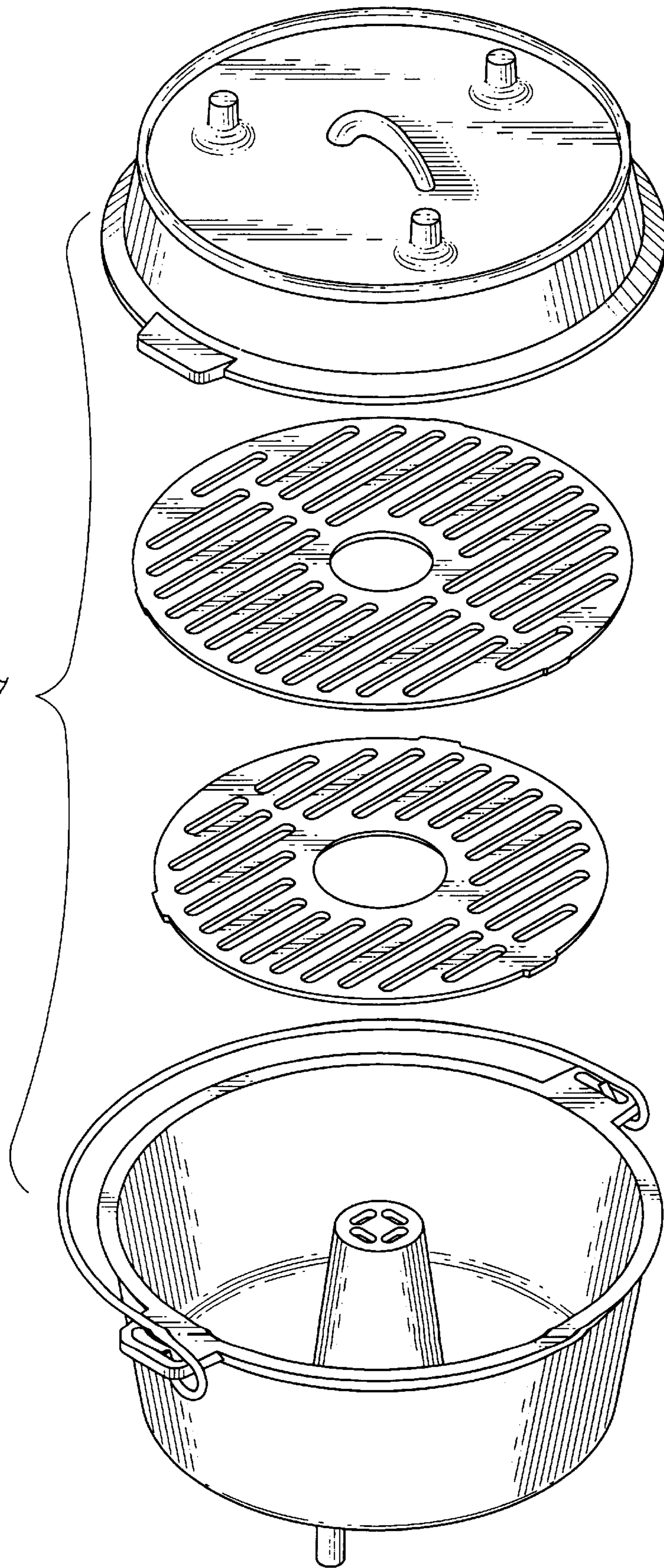


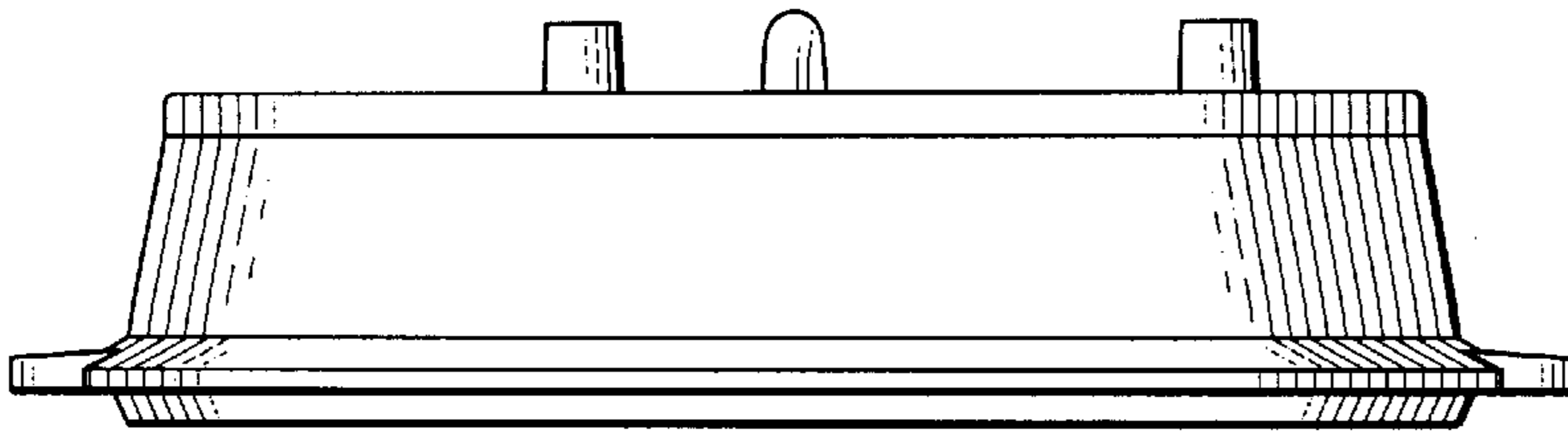
*Fig. 5*



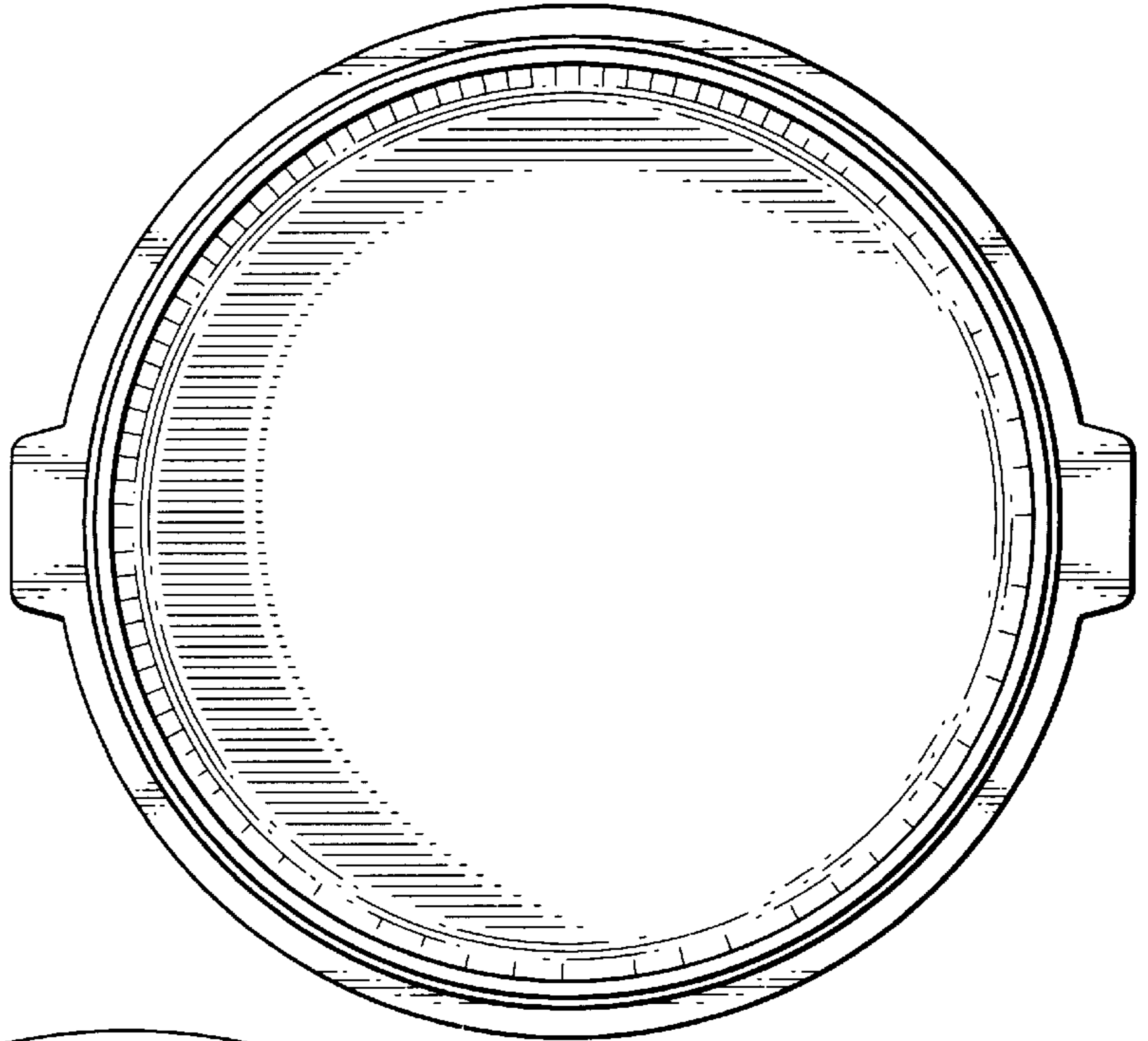
*Fig. 6*

Fig. 7

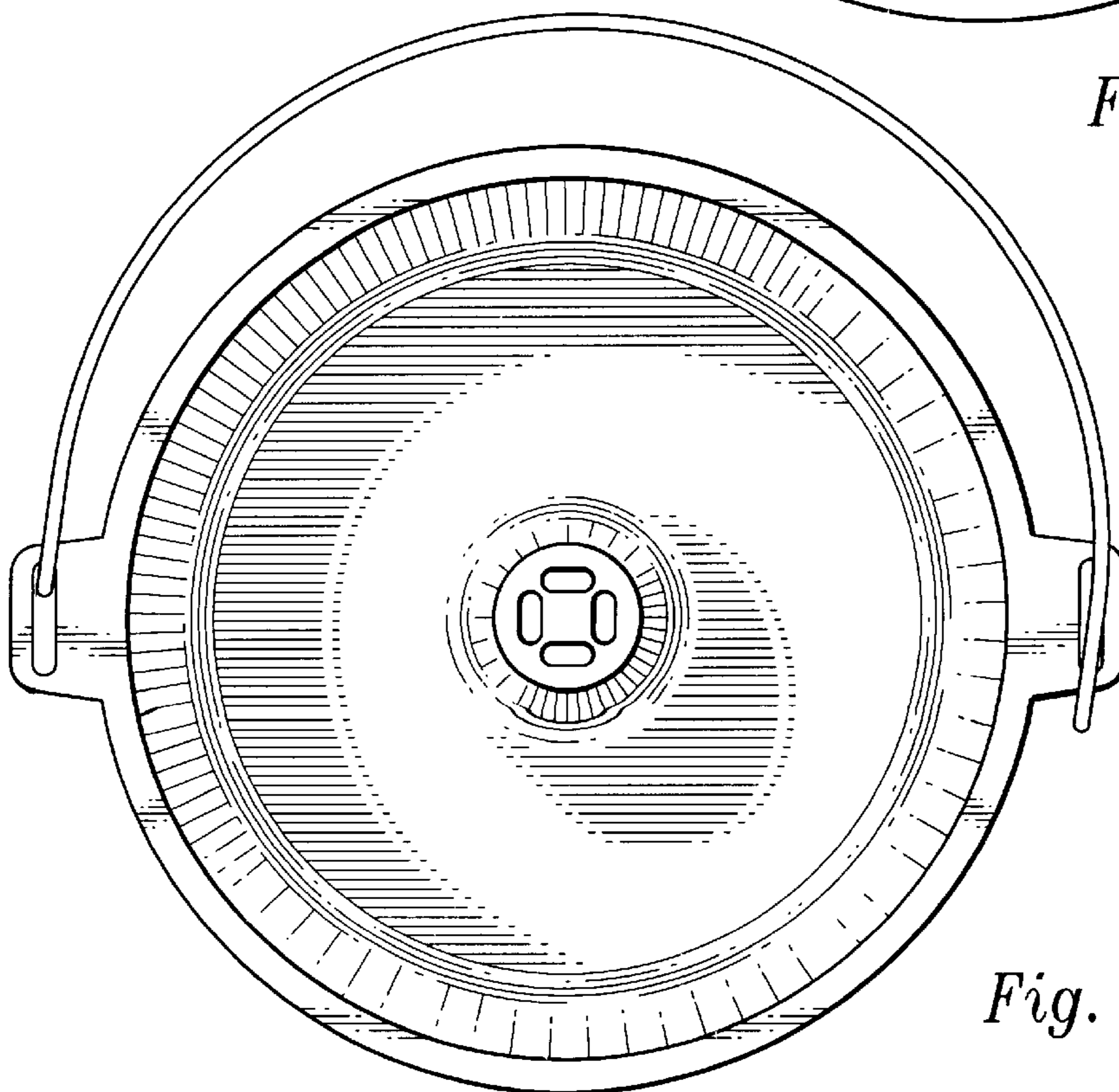




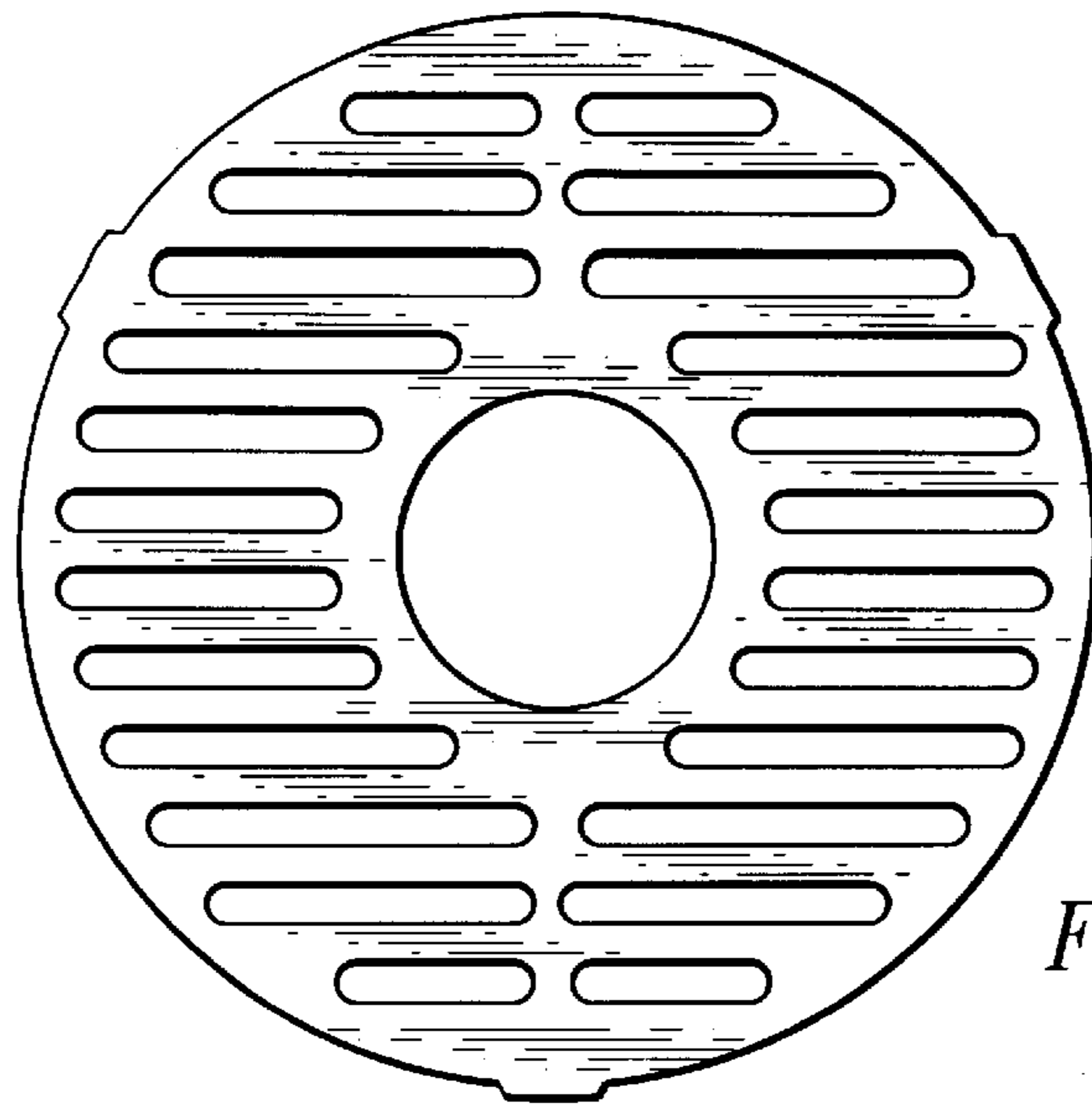
*Fig. 8*



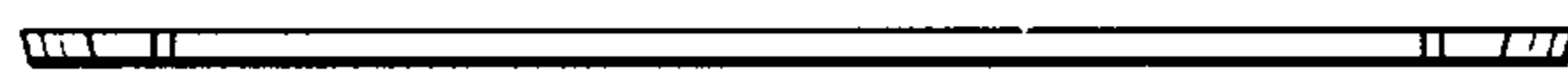
*Fig. 9*



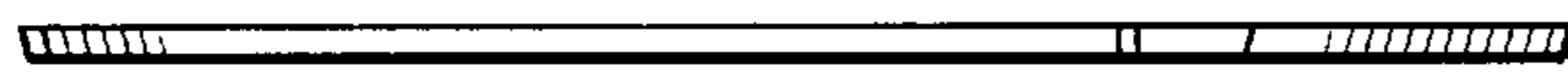
*Fig. 10*



*Fig. 11*



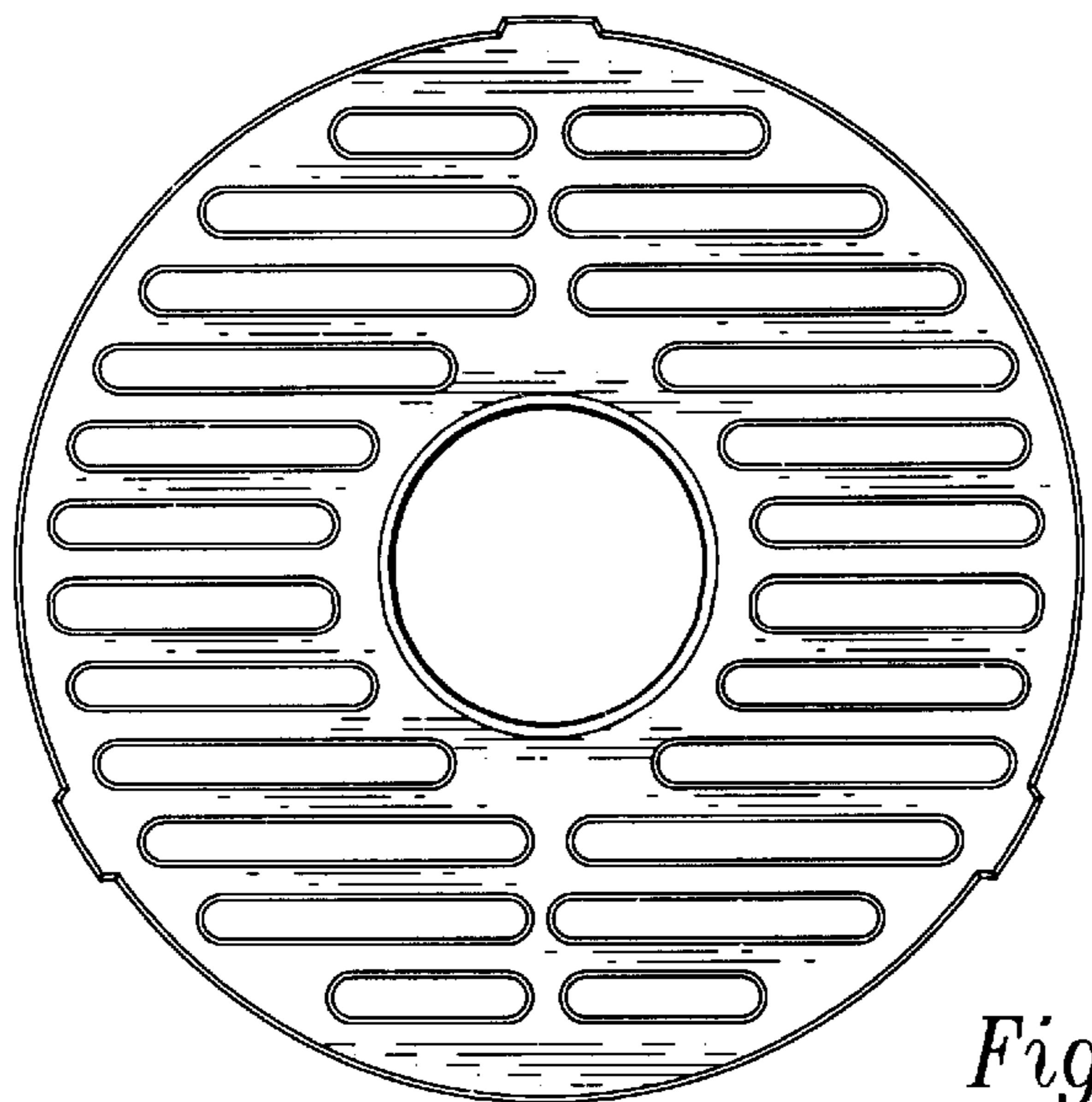
*Fig. 12*



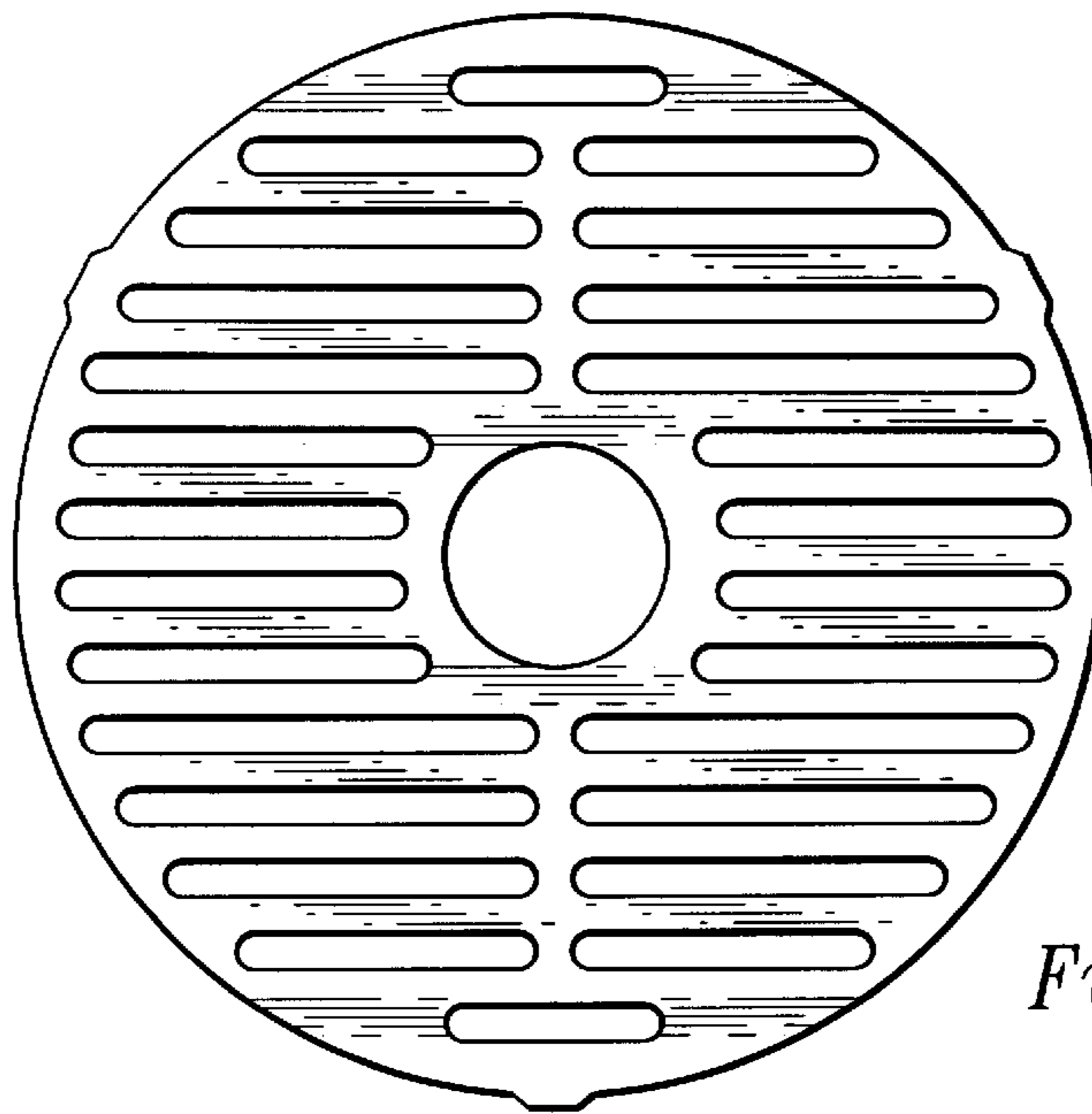
*Fig. 13*



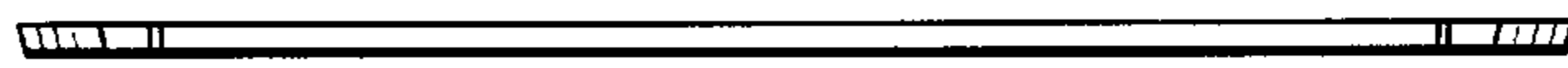
*Fig. 14*



*Fig. 15*



*Fig. 16*



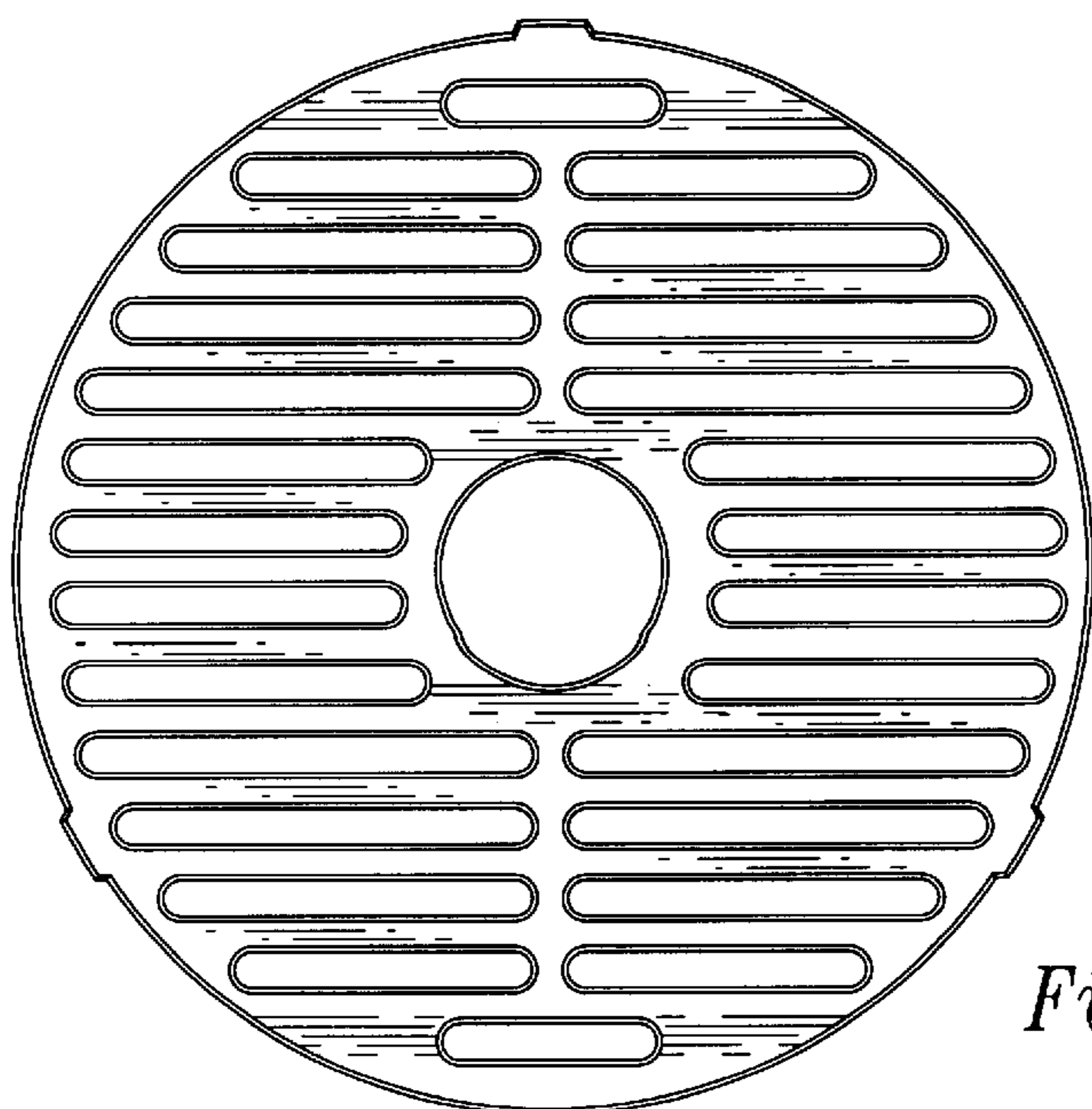
*Fig. 17*



*Fig. 18*



*Fig. 19*



*Fig. 20*