



US00D437520S

(12) **United States Design Patent**
Choi

(10) **Patent No.:** **US D437,520 S**

(45) **Date of Patent:** **** Feb. 13, 2001**

(54) **CASE FOR A MEDIA STORAGE DISK**

5,944,181 * 8/1999 Lau 206/308.1

5,988,376 * 11/1999 Lax 206/308.2

6,053,311 * 4/2000 Grobecker et al. 206/308.1

(75) **Inventor:** **King Yeung Choi, Hong Kong (HK)**

(73) **Assignee:** **Viva Magnetics Limited (HK)**

* cited by examiner

(**) **Term:** **14 Years**

Primary Examiner—Celia Murphy

(74) *Attorney, Agent, or Firm*—Cooper & Dunham LLP

(21) **Appl. No.:** **29/126,543**

(57) **CLAIM**

(22) **Filed:** **Jul. 18, 2000**

I claim the design of case for a media storage disk, as shown and described.

(51) **LOC (7) Cl.** **06-04**

DESCRIPTION

(52) **U.S. Cl.** **D6/632; D6/407; D6/634; D6/635**

(58) **Field of Search** D3/201; D6/407, D6/408, 626–635, 124; D14/26, 27; D19/32, 33, 74, 89; D27/340, 360; 40/626, 771, 775, 307; 150/149; 132/312; 206/307.1, 308.1, 308.3, 309, 311, 312, 313, 387.13, 396, 408, 232; 229/67.1, 68.1, 70–72

FIG. 1 is a top perspective view showing my new design for a case for a media storage disk;
FIG. 2 is a bottom perspective view;
FIG. 3 is a top plan view;
FIG. 4 is a bottom plan view;
FIG. 5 is a left side elevational view;
FIG. 6 is a right side elevational view;
FIG. 7 is a rear elevational view;
FIG. 8 is a front elevational view;
FIG. 9 is a perspective view showing the case in an open position;
FIG. 10 is a top plan view of FIG. 9; and,
FIG. 11 is a left side elevational view of FIG. 9, the right side being a mirror image.

(56) **References Cited**

U.S. PATENT DOCUMENTS

- D. 257,080 * 9/1980 Schmidt D6/632
- D. 297,385 * 8/1988 Bennett D6/631
- D. 420,240 * 2/2000 Sorenson et al. D6/632
- 5,477,960 * 12/1995 Chen 206/308.1
- 5,788,068 * 8/1998 Fraser et al. 206/310
- 5,887,713 * 3/1999 Smith et al. 206/308.1

1 Claim, 7 Drawing Sheets

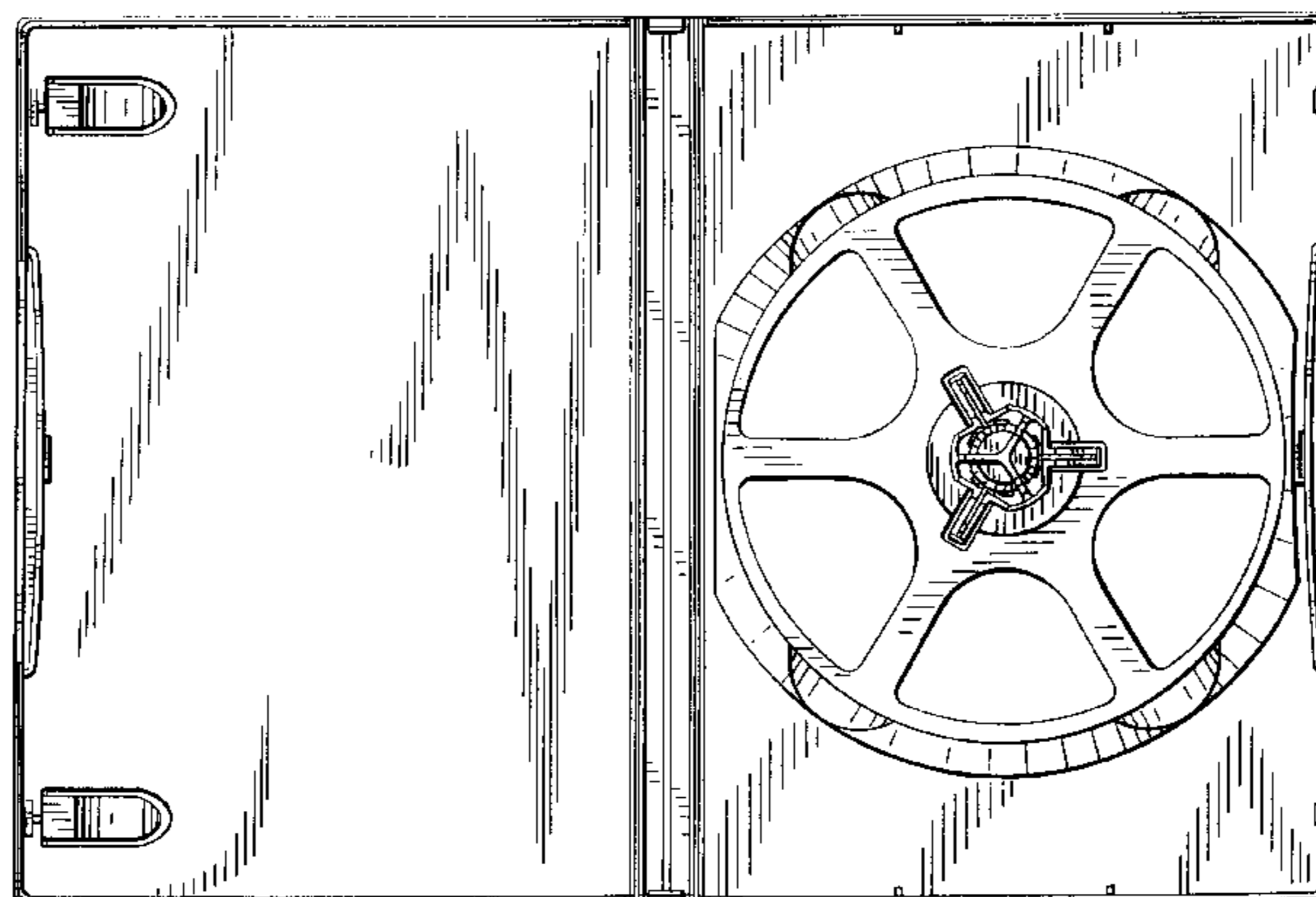
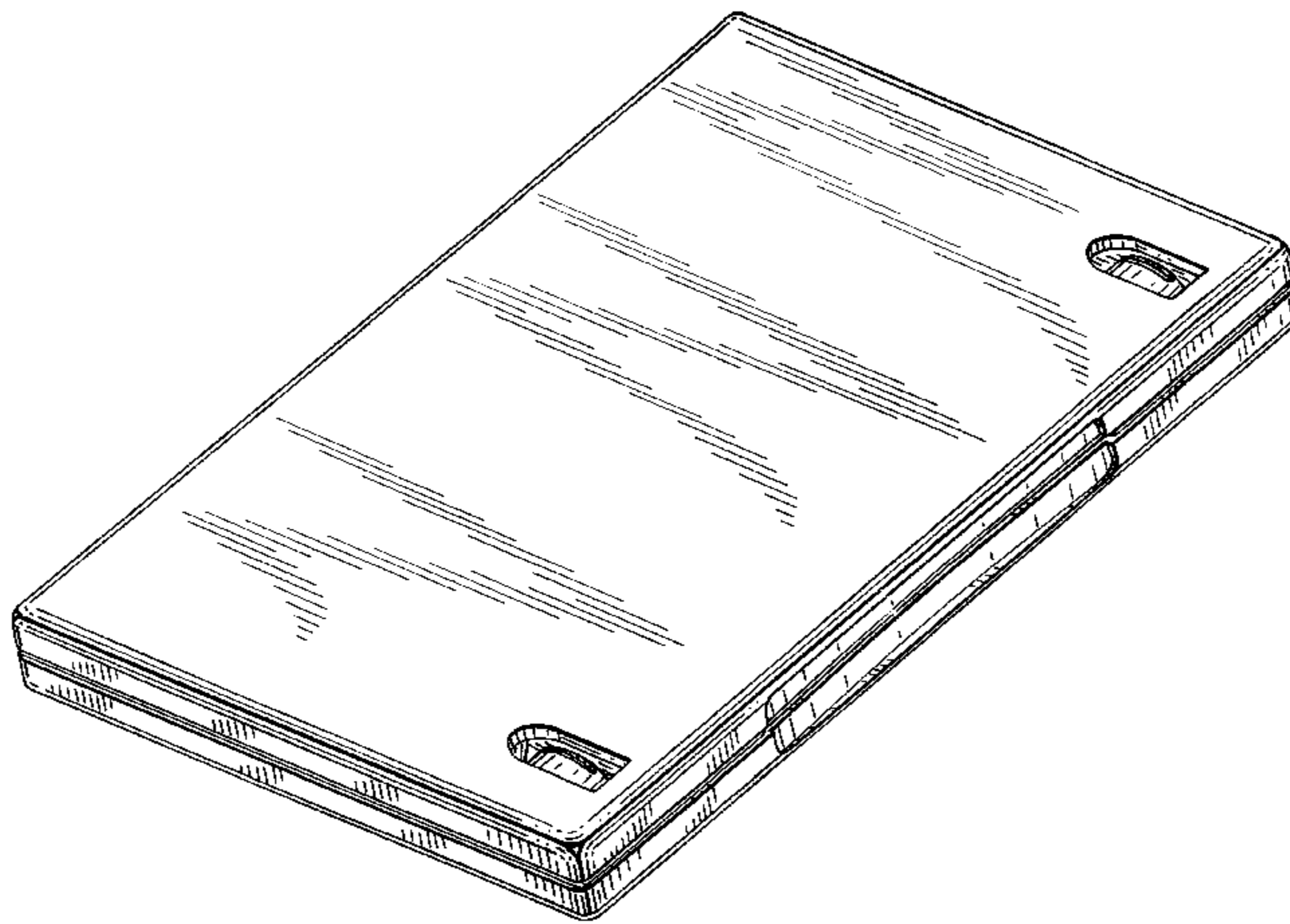


FIG. 1

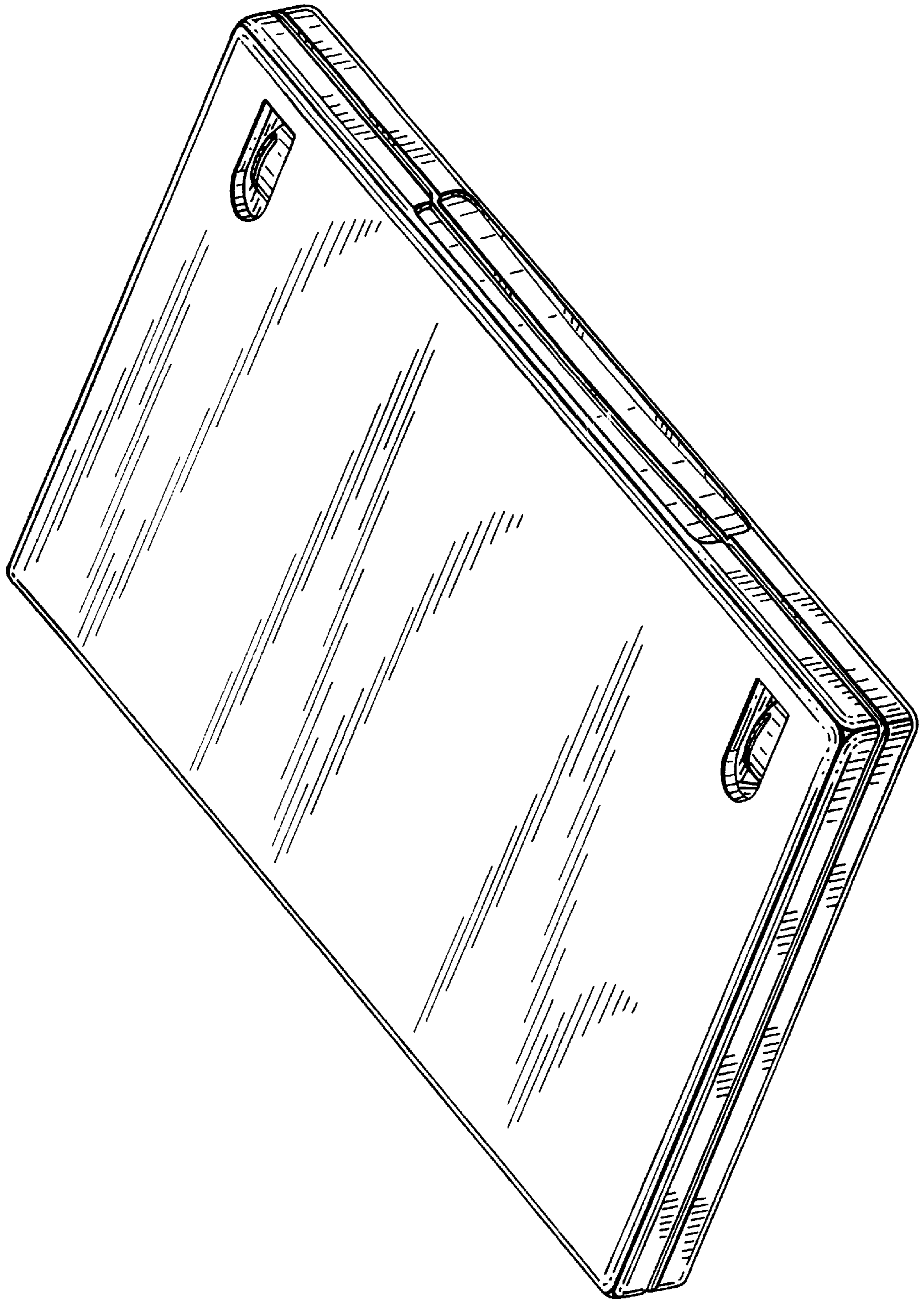


FIG. 2

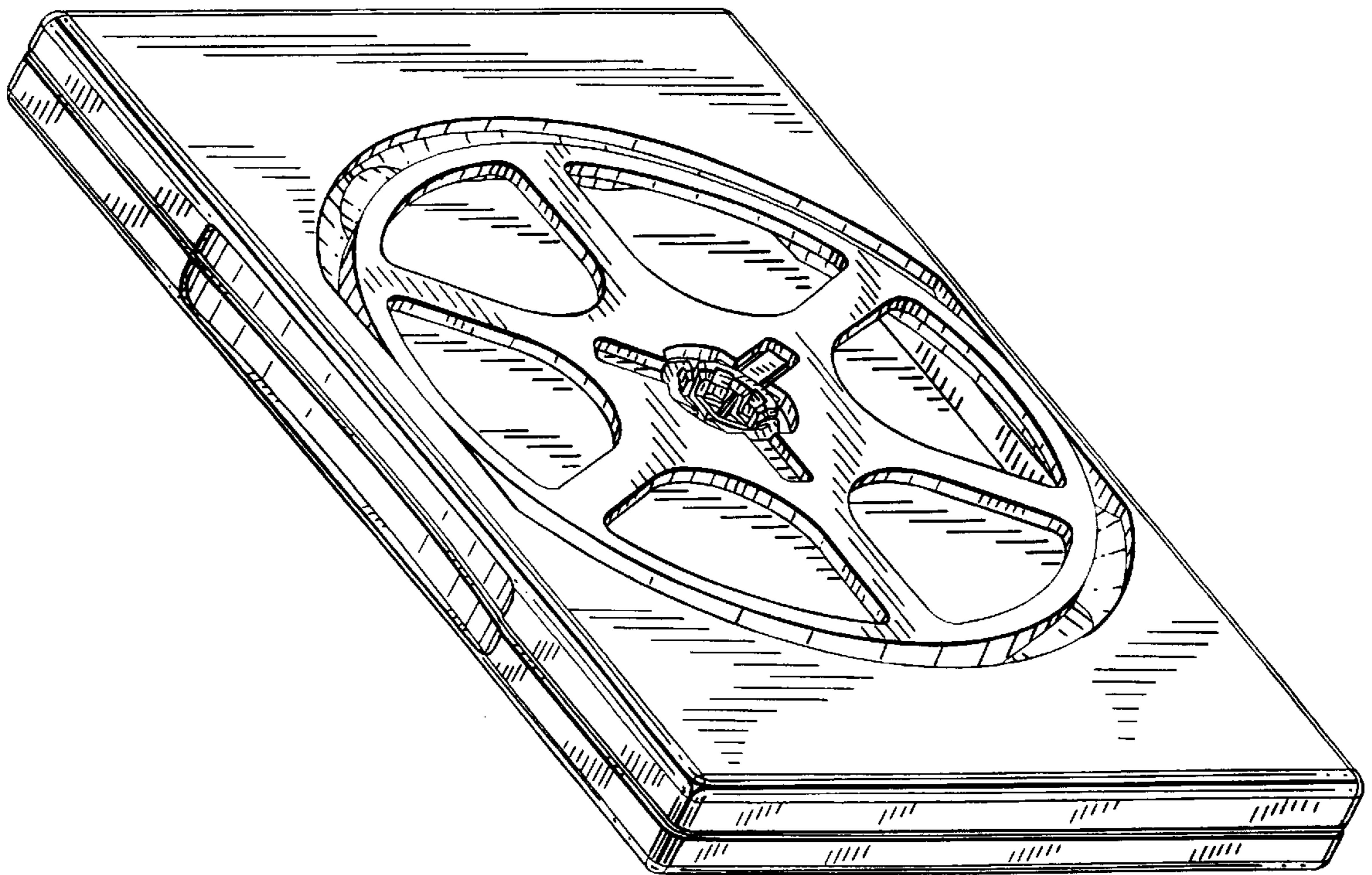


FIG. 3

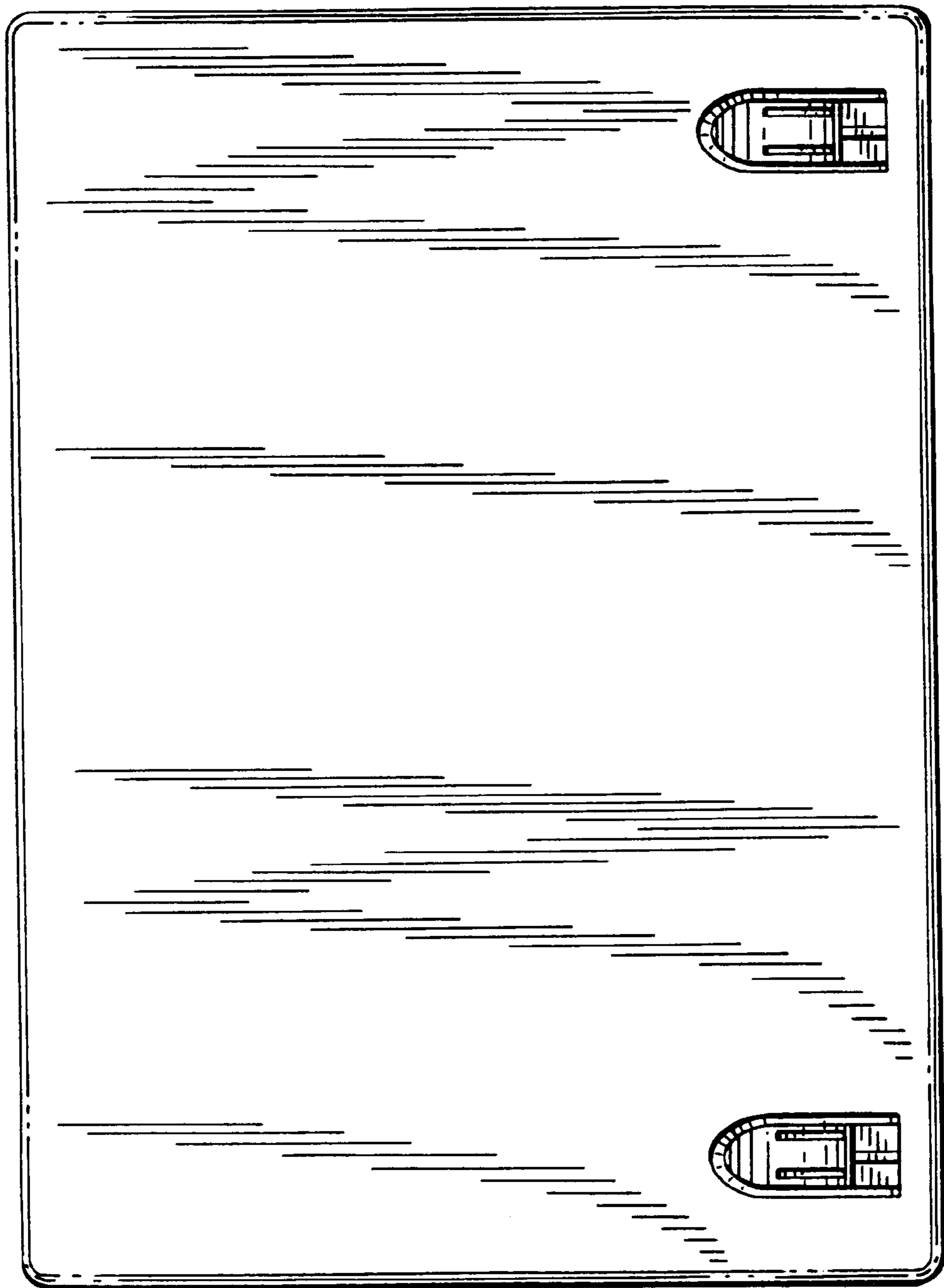


FIG. 4

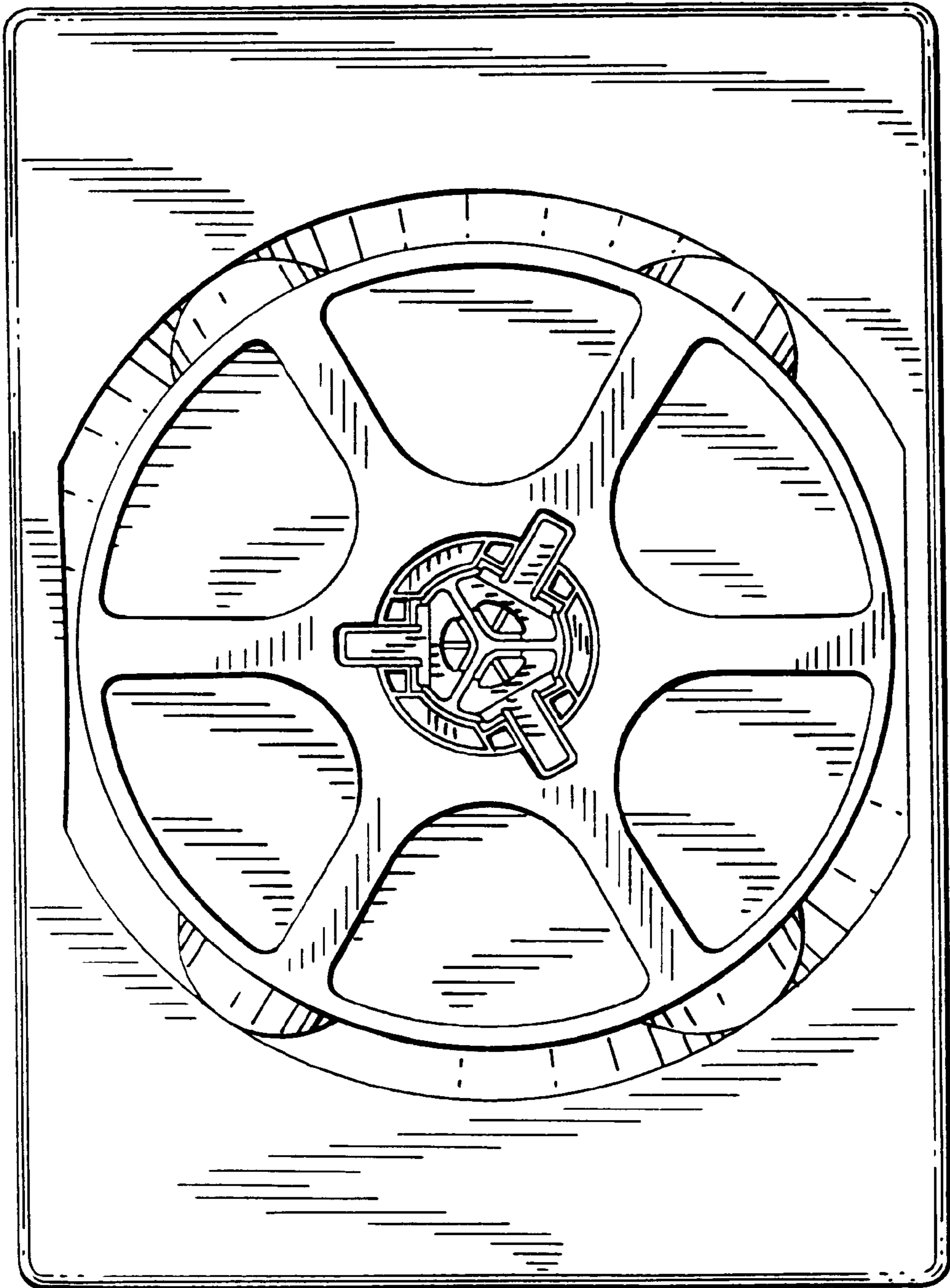


FIG.5

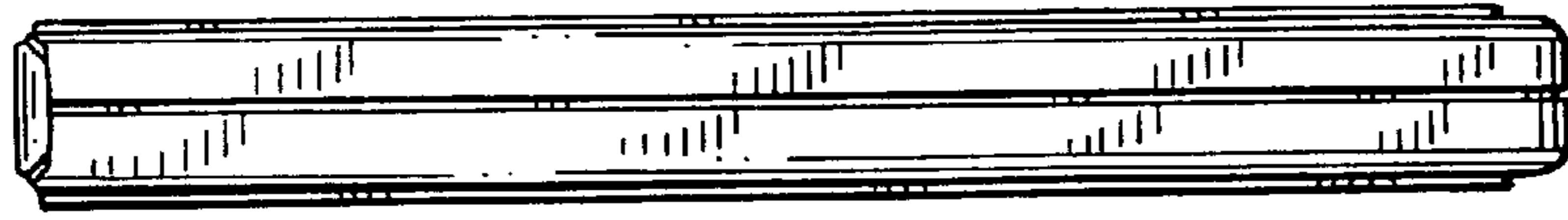


FIG.6

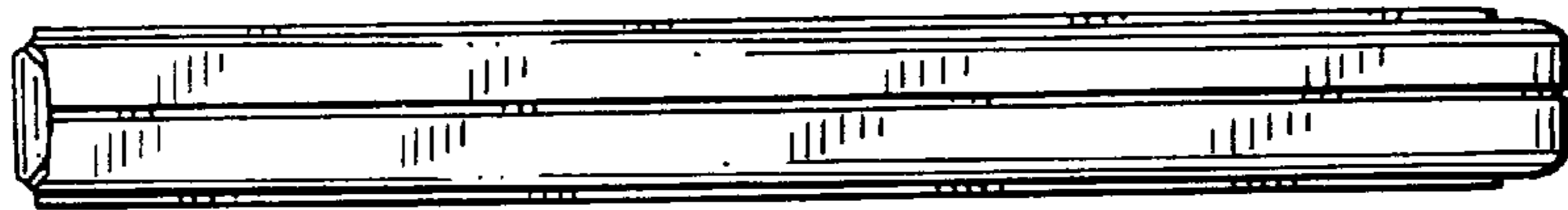


FIG.7

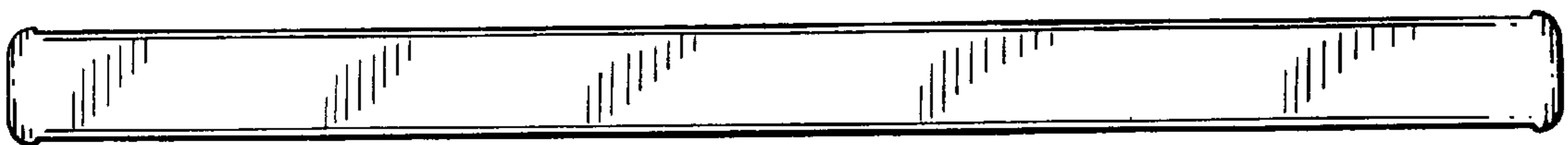


FIG.8

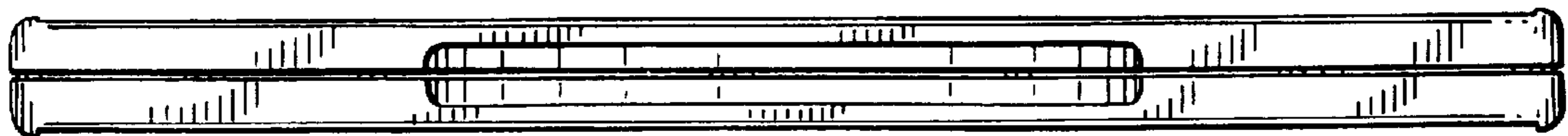
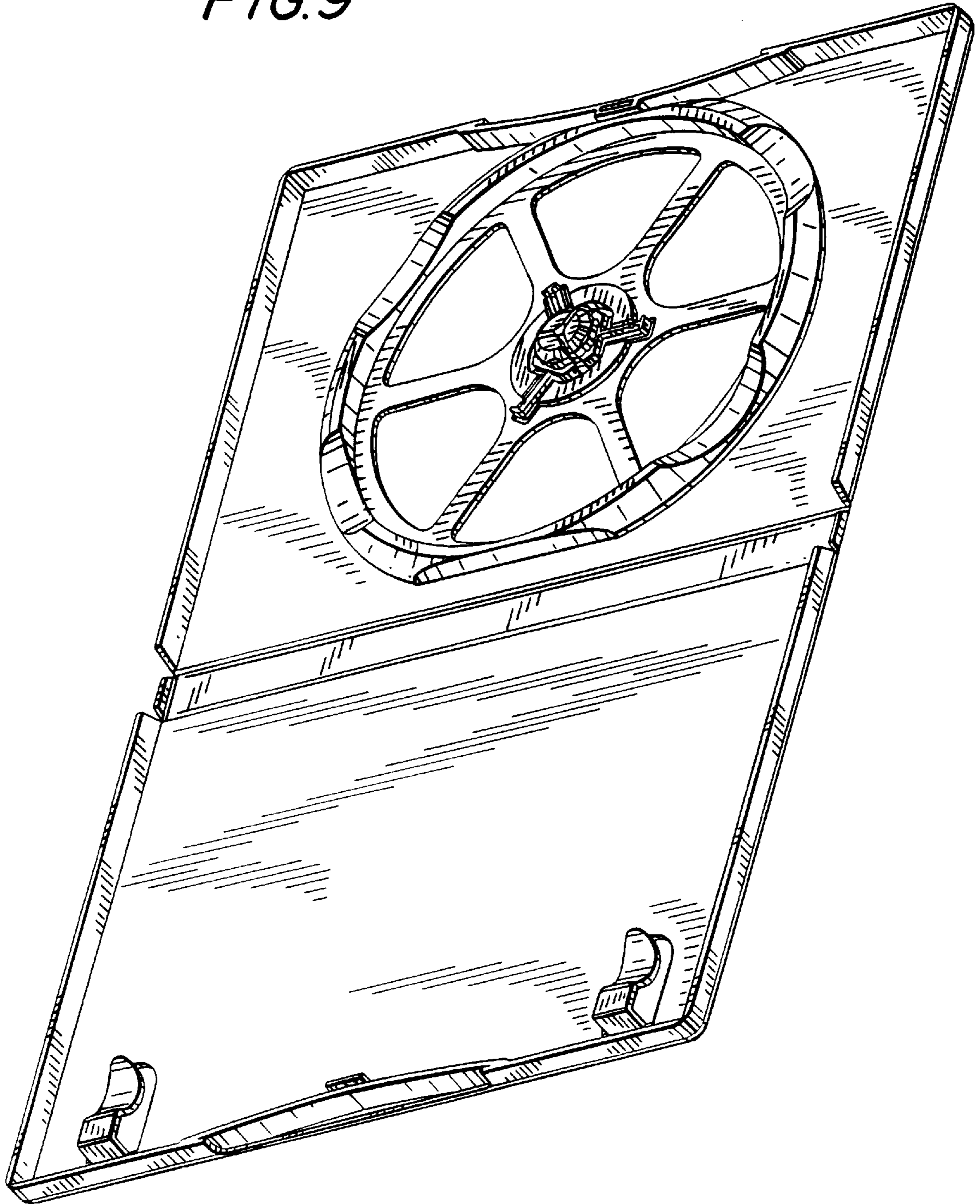


FIG. 9



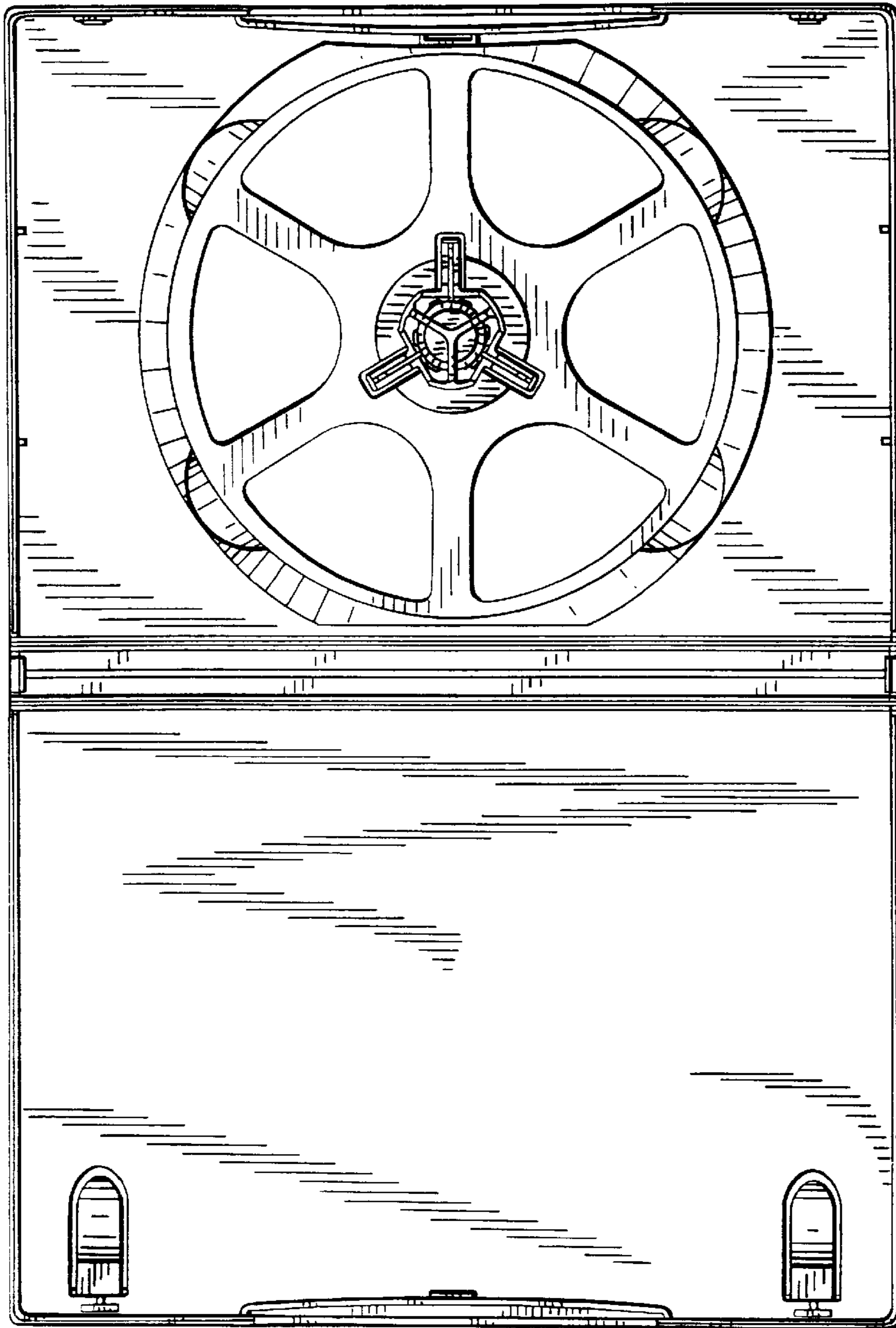


FIG. 10



FIG. 11