



US00D437519S

(12) **United States Design Patent**
Schulein

(10) **Patent No.:** **US D437,519 S**

(45) **Date of Patent:** **** Feb. 13, 2001**

(54) **DISPENSER**

(75) Inventor: **Rolf Gunter Schulein**, Singhofen (DE)

(73) Assignee: **Leifheit AG**, Nassau (DE)

(**) Term: **14 Years**

(21) Appl. No.: **29/125,986**

(22) Filed: **Jul. 6, 2000**

(30) **Foreign Application Priority Data**

Feb. 15, 2000 (DE) 4 00 01 773

(51) **LOC (7) Cl.** **20-02**

(52) **U.S. Cl.** **D6/520**

(58) **Field of Search** D6/518, 520, 522;
206/225, 389, 391; 211/86, 87, 89; 221/282;
242/560, 590, 595, 598; 312/34.8, 34.22,
34.23

(56) **References Cited**

U.S. PATENT DOCUMENTS

D. 201,912 * 8/1965 Simpkins D6/520

D. 219,168 * 11/1970 Chase D6/520
D. 321,104 * 10/1991 Schulein D6/520
3,737,087 * 6/1973 Rooklyn 312/34.23 X

* cited by examiner

Primary Examiner—Brian N. Vinson

(74) *Attorney, Agent, or Firm*—Frishauf, Holtz, Goodman,
Langer & Chick, P.C.

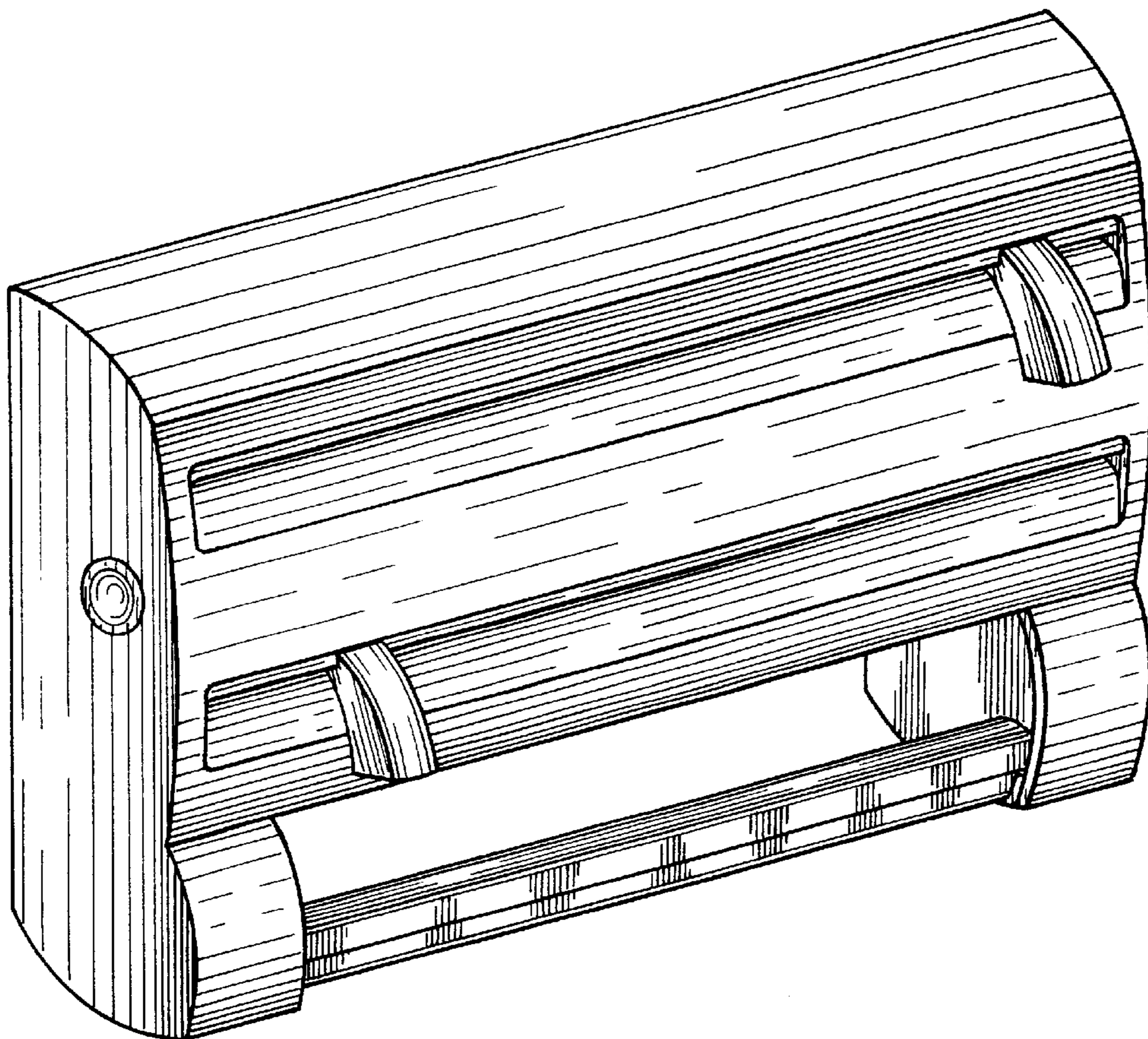
(57) **CLAIM**

The ornamental design for a dispenser, as shown and described.

DESCRIPTION

FIG. 1 is a front elevational view of a dispenser, showing my new design;
FIG. 2 is a left side elevational view thereof, the right side view being a mirror image thereof;
FIG. 3 is a top plan view thereof;
FIG. 4 is a bottom plan view thereof; and,
FIG. 5 is a top, front, left side perspective view thereof.
The rear view of the dispenser is not illustrated in the drawings and forms no part of the claimed design.

1 Claim, 2 Drawing Sheets



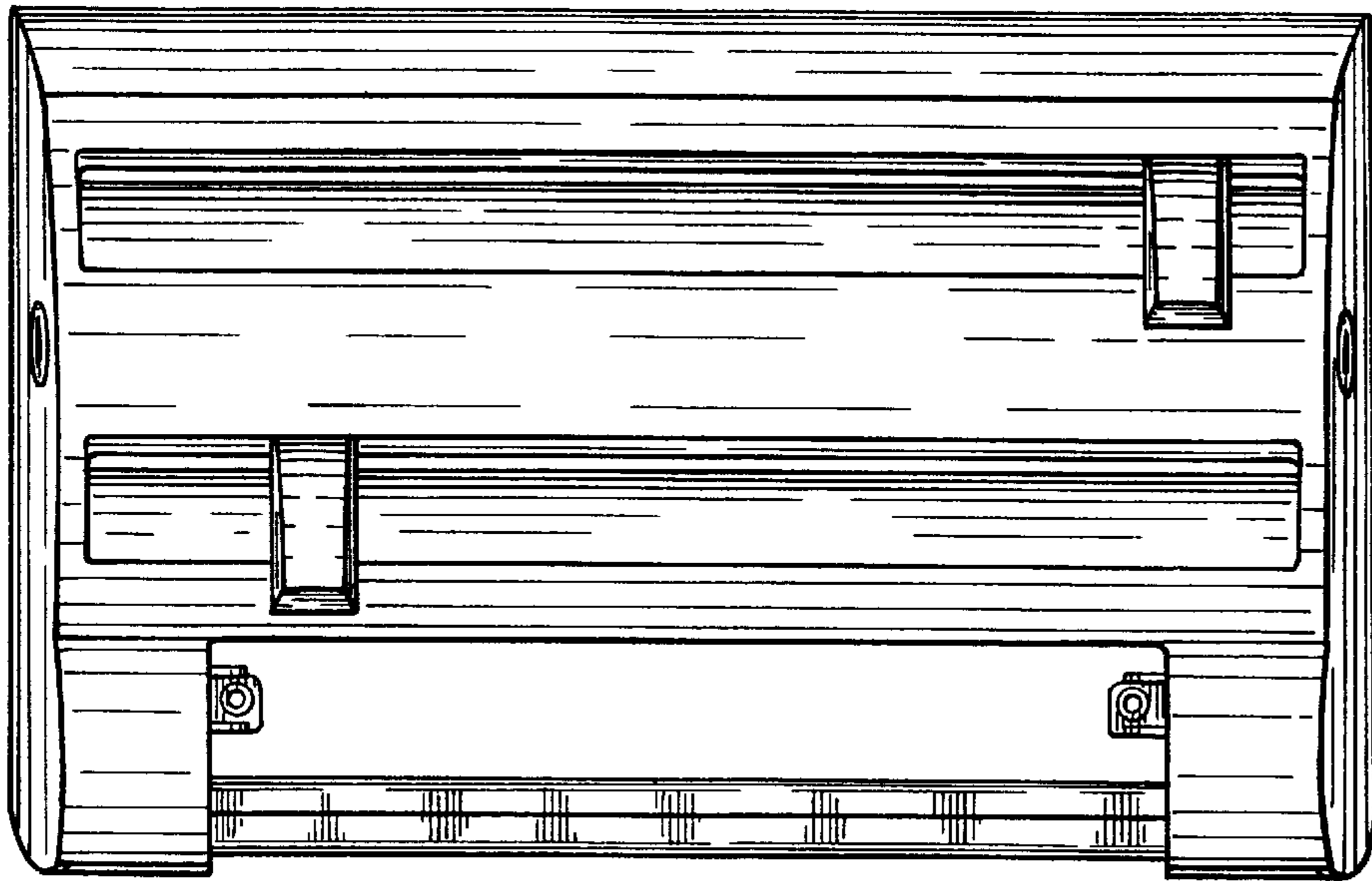


Fig. 1

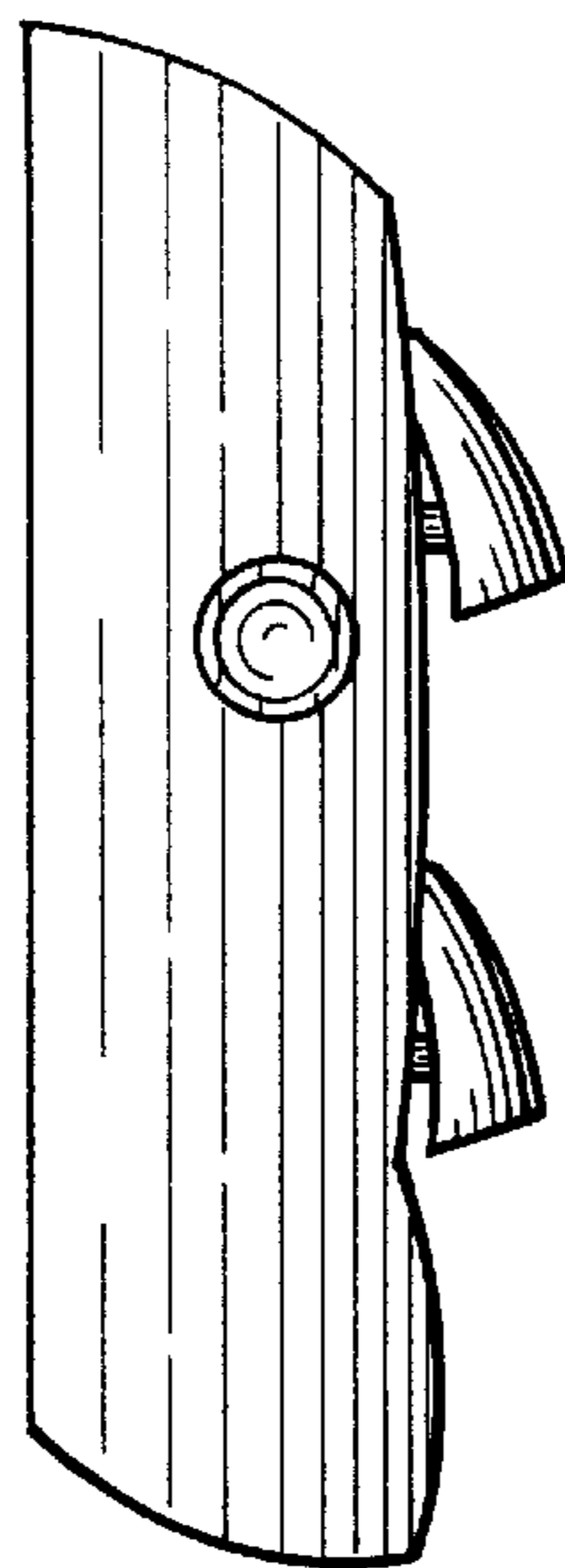


Fig. 2

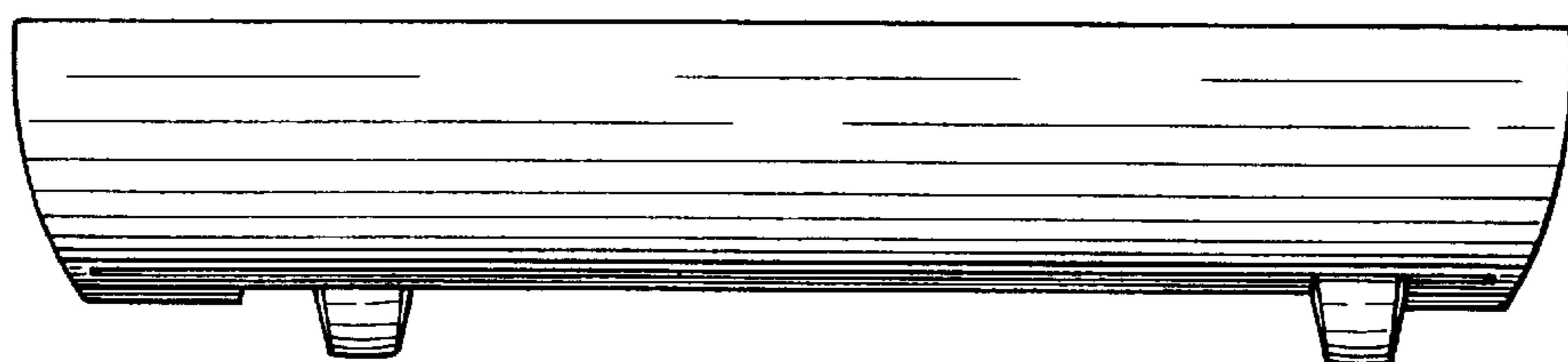


Fig. 3

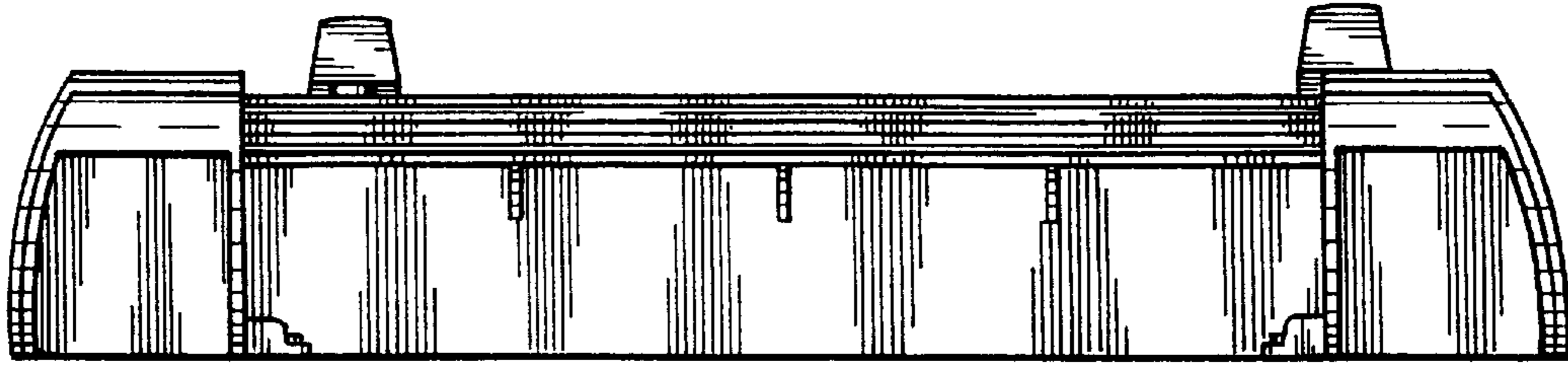


Fig. 4

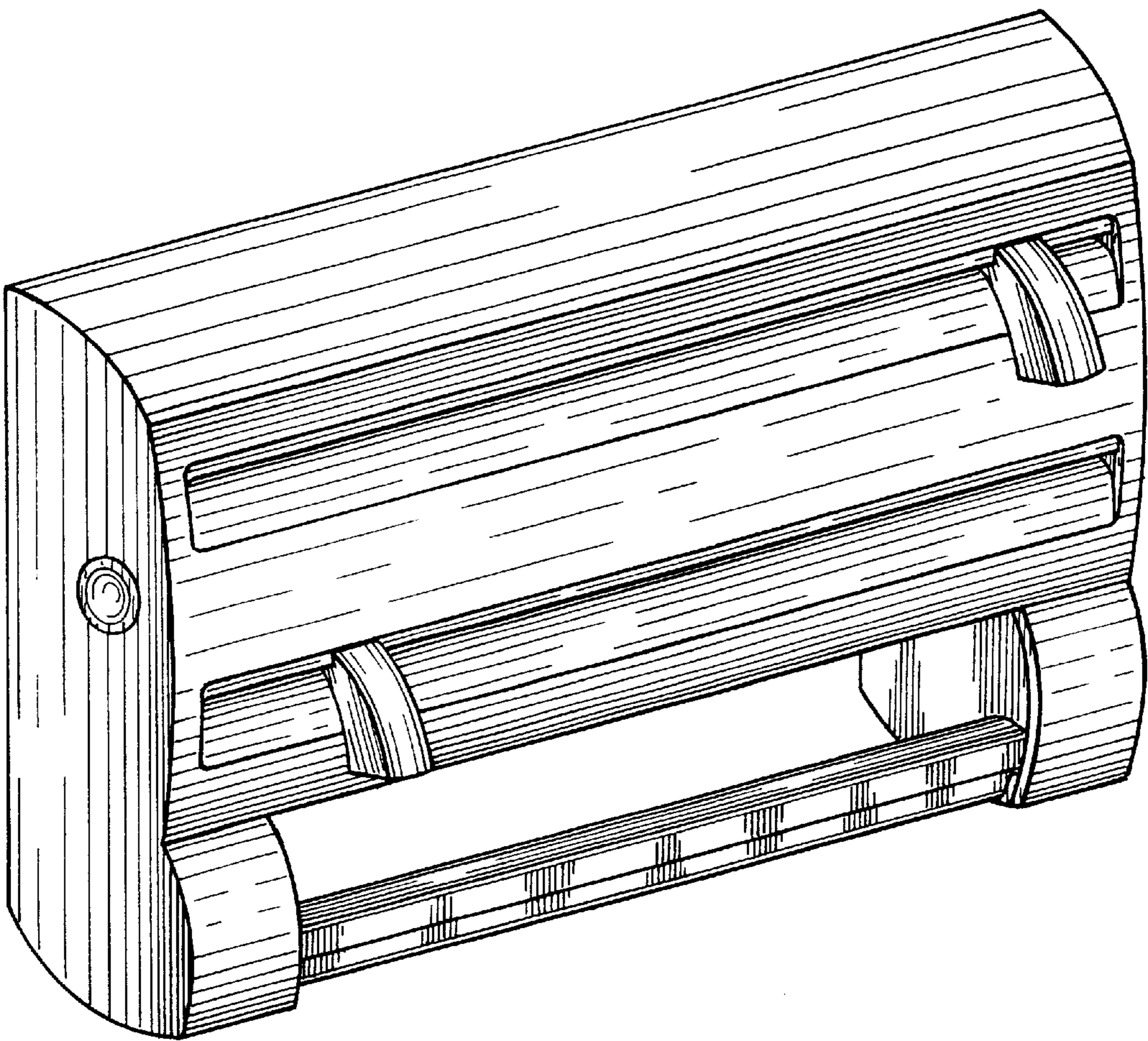


Fig. 5