



US00D437517S

(12) **United States Design Patent**  
**Murray**

(10) **Patent No.:** **US D437,517 S**

(45) **Date of Patent:** **\*\* Feb. 13, 2001**

(54) **TICKET DISPENSER**

(75) **Inventor:** **Phillips Ross Murray**, Port Moody (CA)

(73) **Assignee:** **Burrard Technologies Corporation**, Port Moody (CA)

(\*\*) **Term:** **14 Years**

(21) **Appl. No.:** **29/120,628**

(22) **Filed:** **Mar. 23, 2000**

(51) **LOC (7) Cl.** ..... **06-07**

(52) **U.S. Cl.** ..... **D6/515**

(58) **Field of Search** ..... D6/512, 515, 517;  
206/425, 812, 831; 211/13.1; 221/26, 208,  
255, 282, 284, 285, 296, 303, 305, 312 A;  
222/105, 129, 135, 173; 242/570; 225/6,  
32, 34, 39

(56) **References Cited**

**U.S. PATENT DOCUMENTS**

D. 328,543 \* 8/1992 Kringel et al. .... D6/515

D. 364,521 \* 11/1995 Yaniv ..... D6/515

D. 416,410 \* 11/1999 Emoff et al. .... D6/515

5,083,765 \* 1/1992 Kringel ..... 221/255 X

\* cited by examiner

*Primary Examiner*—Brian N. Vinson

(74) *Attorney, Agent, or Firm*—C. A. Rowley

(57) **CLAIM**

The ornamental design for the ticket dispenser, as shown and described.

**DESCRIPTION**

FIG. 1 is an frontal isometric illustration of the ticket dispenser;

FIG. 2 is a front elevation view of the ticket dispenser;

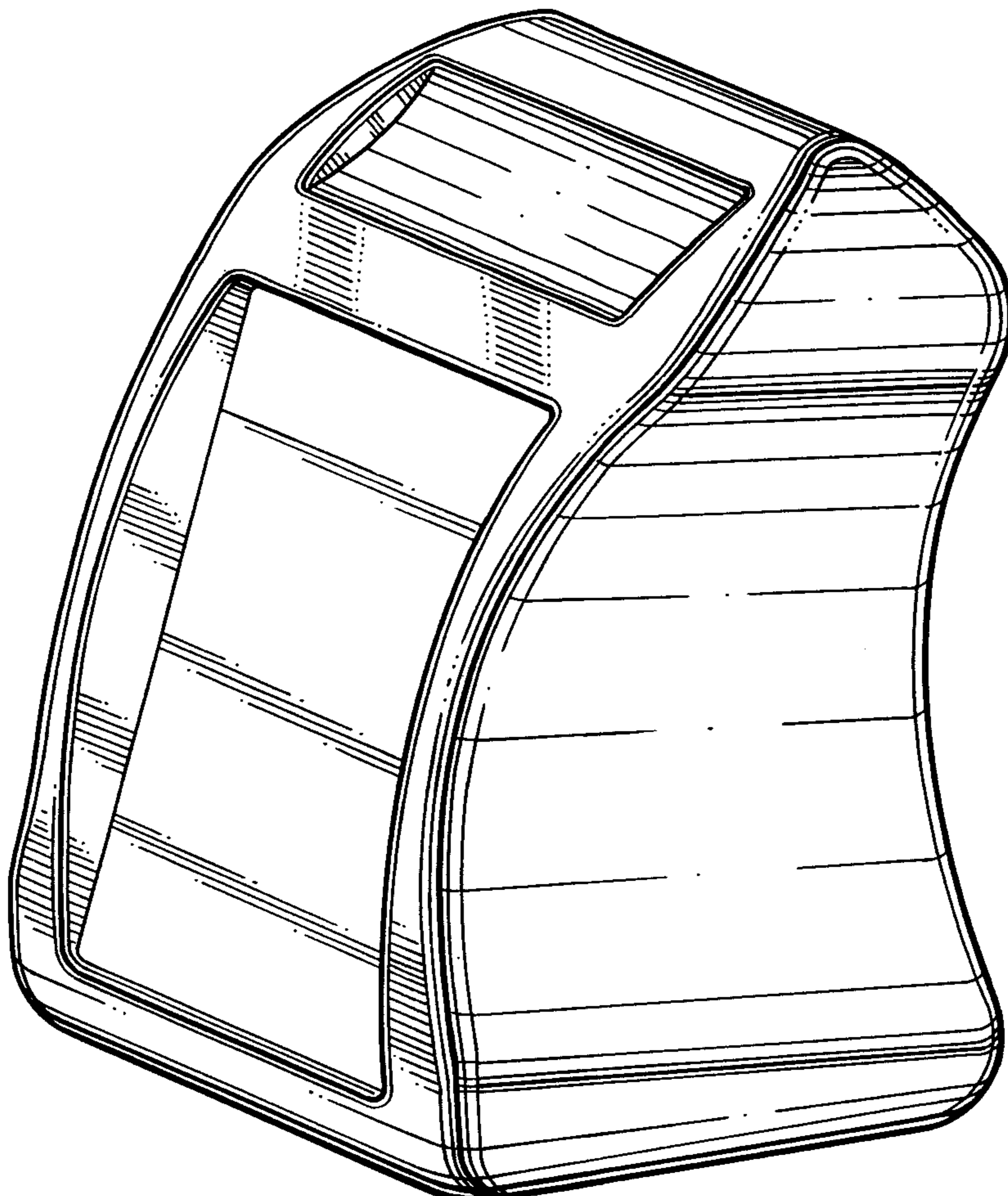
FIG. 3 is a top plan view of the ticket dispenser;

FIG. 4 is a bottom plan view of the ticket dispenser;

FIG. 5 is a rear elevation view of the ticket dispenser; and,

FIG. 6 is a side elevation view of the ticket dispenser (the opposite side of the ticket dispenser is the same).

**1 Claim, 6 Drawing Sheets**



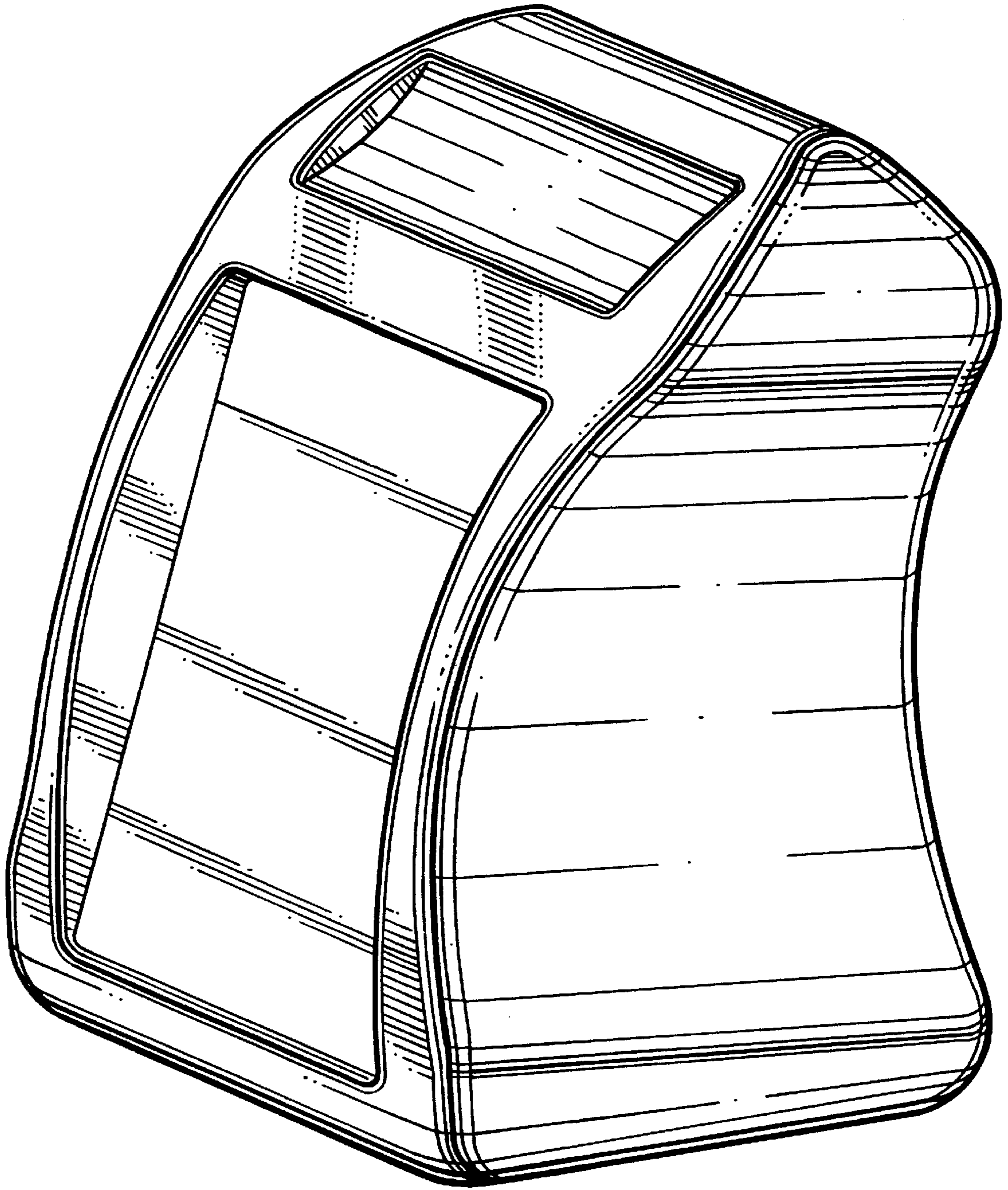


FIG. 1

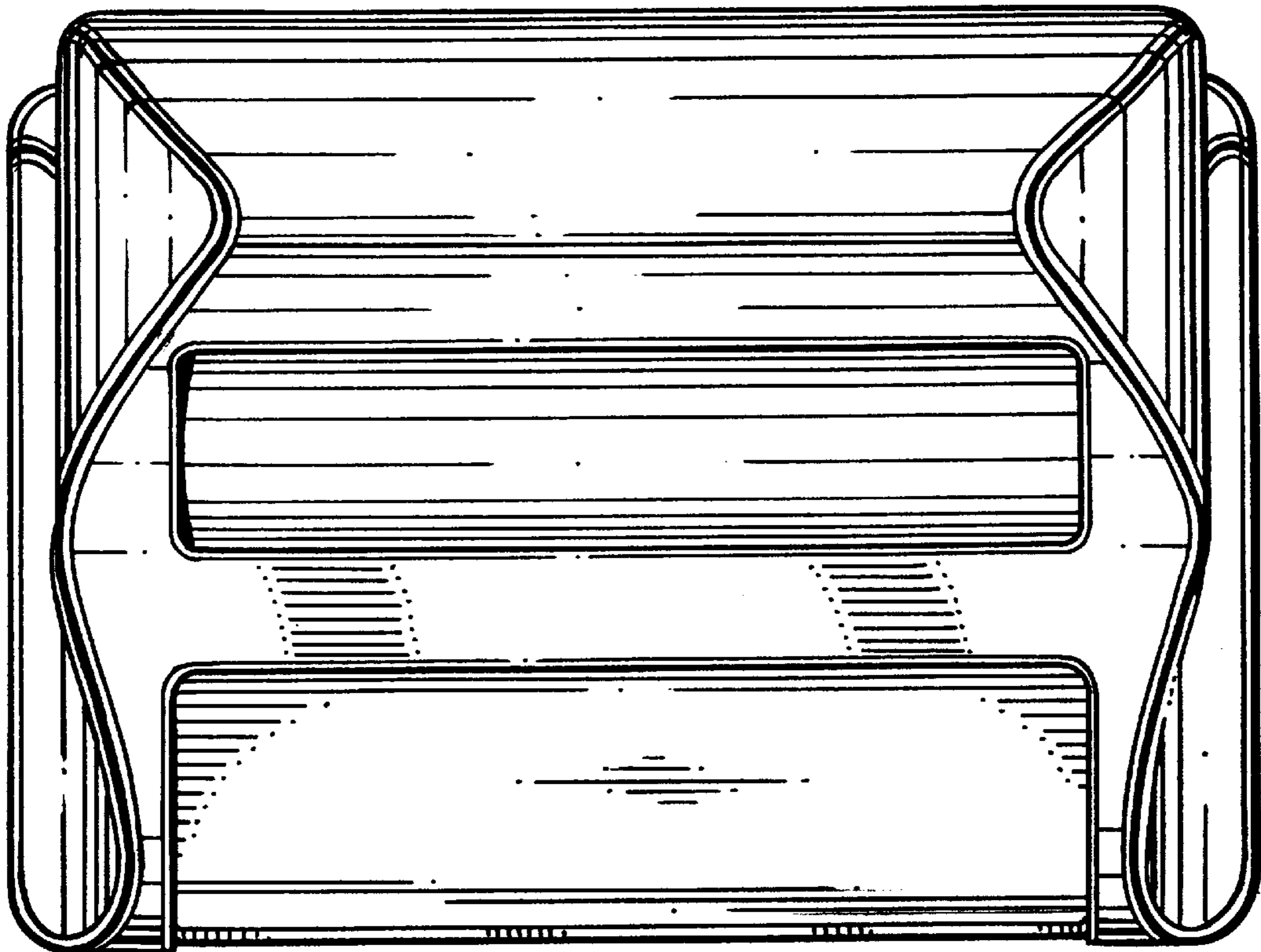


FIG. 2

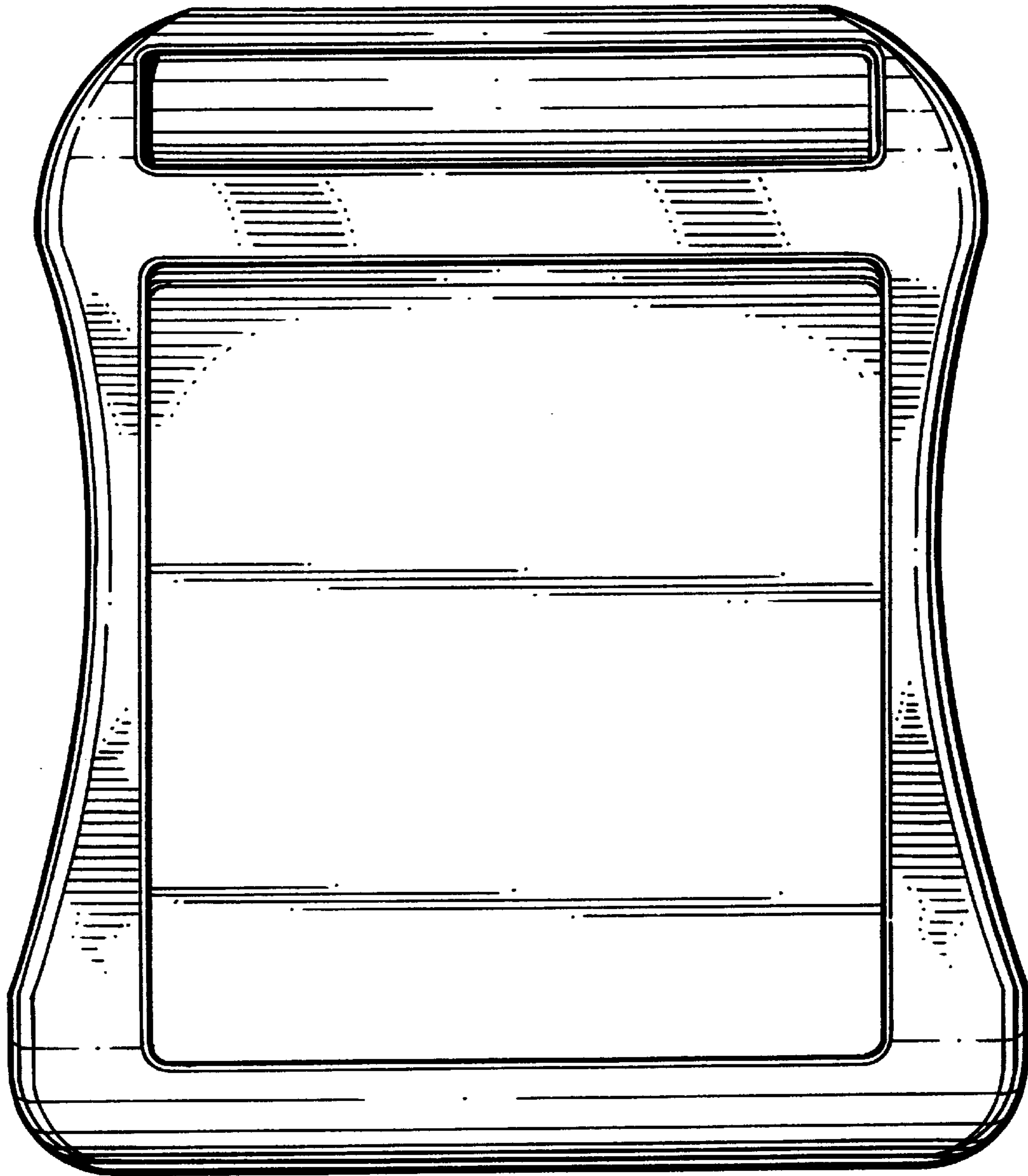


FIG. 3

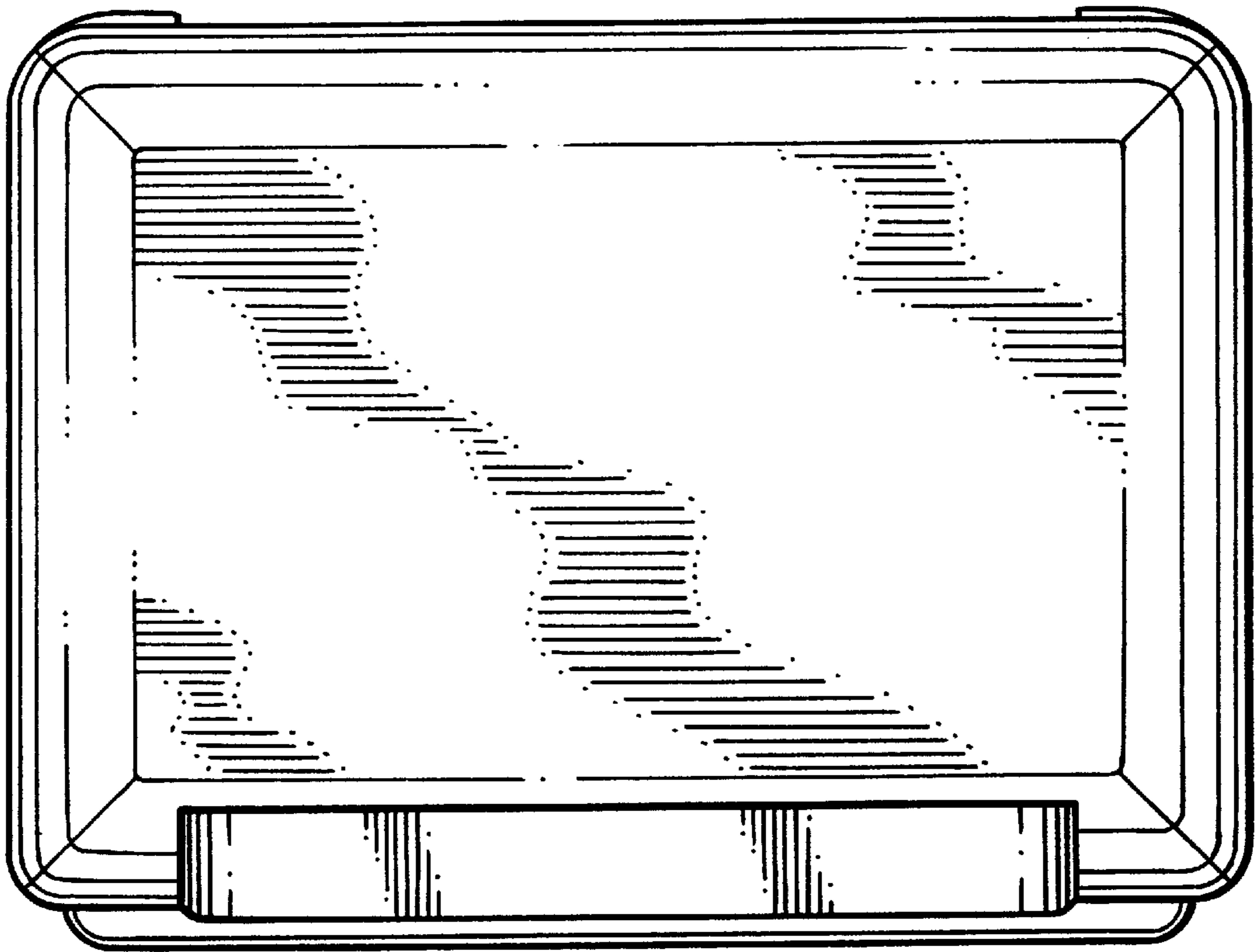


FIG. 4

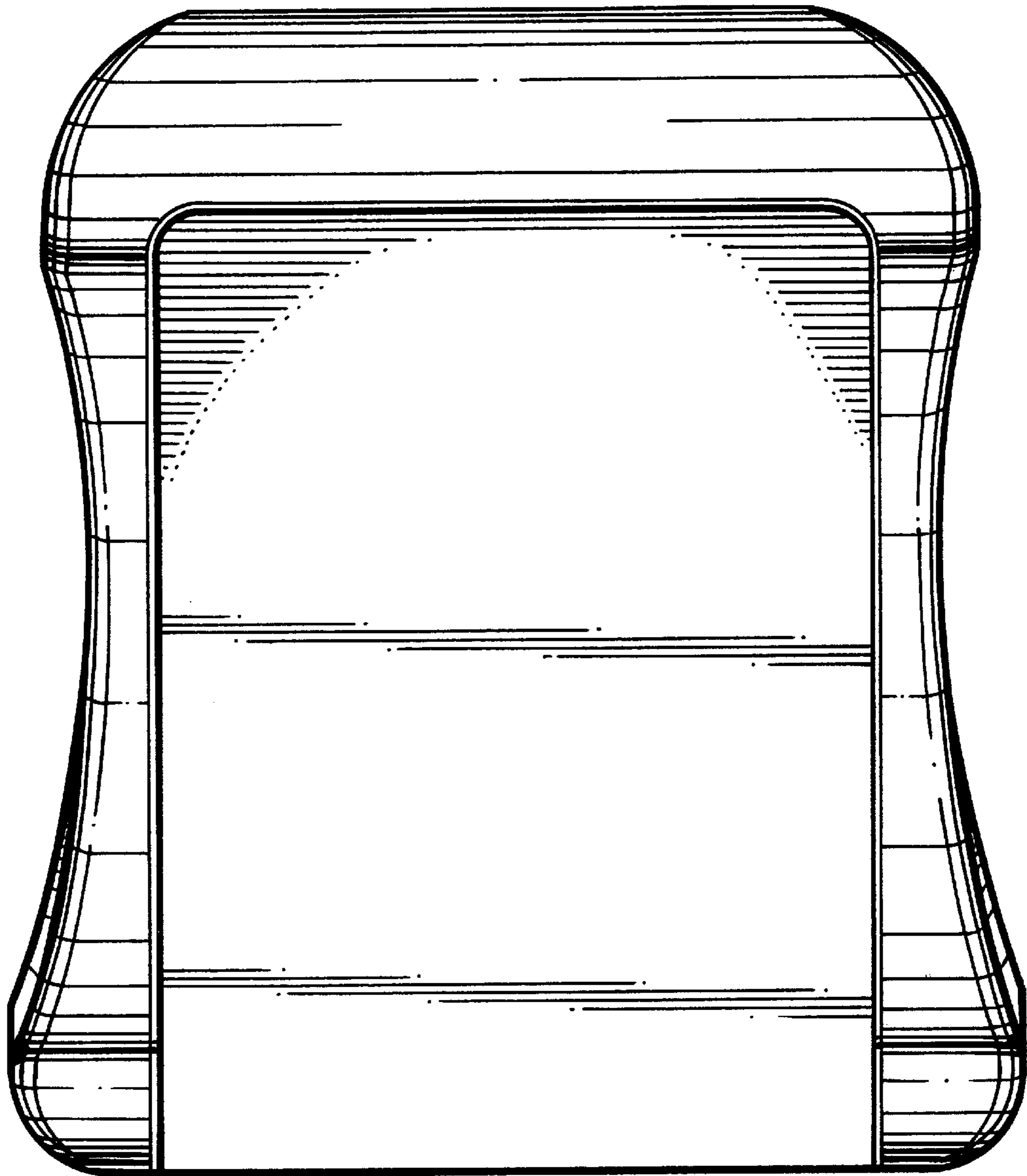


FIG. 5

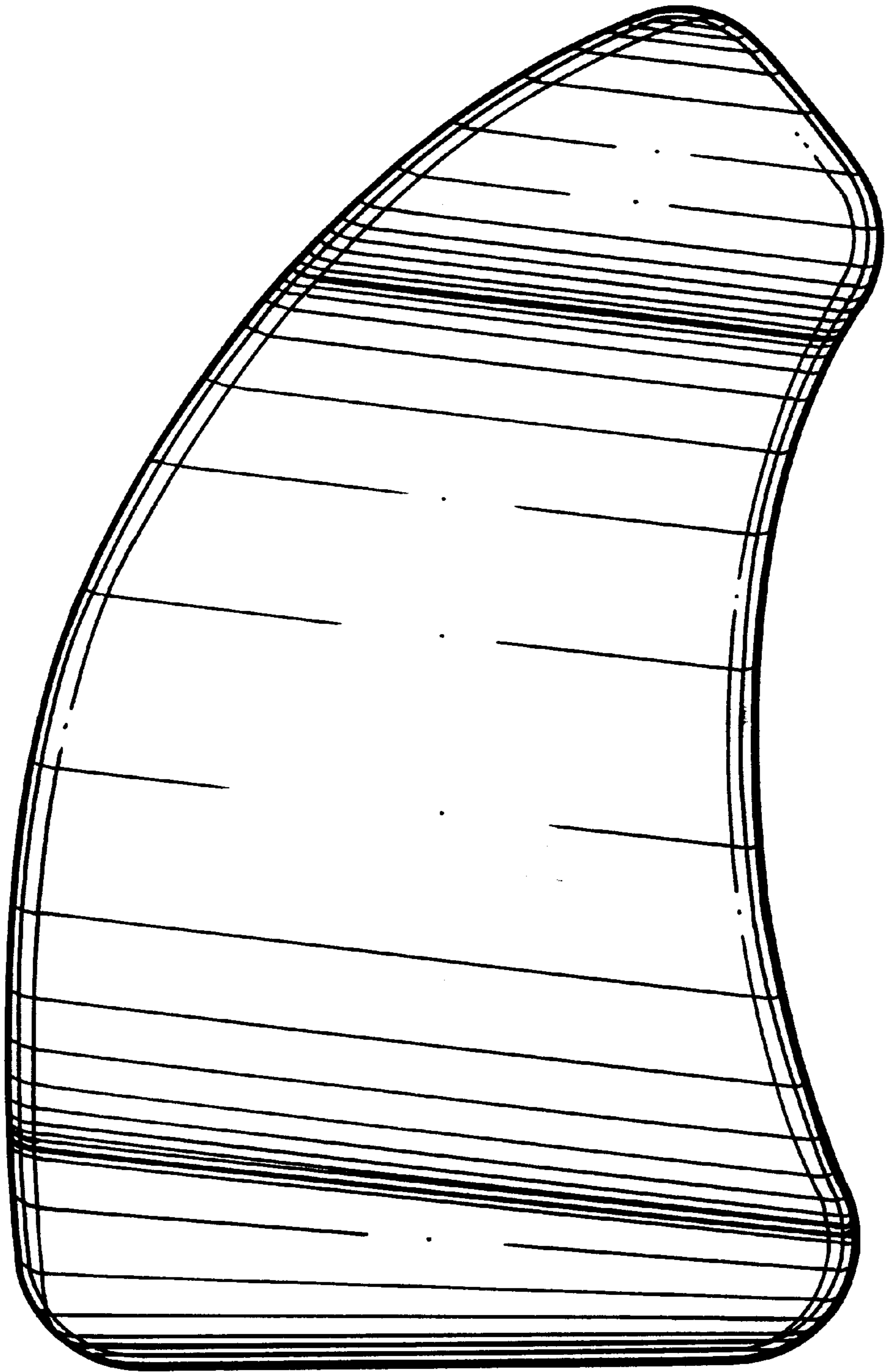


FIG. 6