



US00D437515S

(12) **United States Design Patent**
Remmers et al.

(10) **Patent No.:** **US D437,515 S**

(45) **Date of Patent:** **** Feb. 13, 2001**

(54) **WIRE SHELF**

(75) Inventors: **Lee Remmers; Doug Carter**, both of Ocala; **Craig Norman**, West Palm Beach; **Mark Daniels; Stephen Truitt**, both of Ocala, all of FL (US)

(73) Assignee: **Emerson Electric Co.**, St. Louis, MO (US)

(**) Term: **14 Years**

(21) Appl. No.: **29/098,872**

(22) Filed: **Jan. 7, 1999**

(51) **LOC (7) Cl.** **06-06**

(52) **U.S. Cl.** **D6/511; D6/566**

(58) **Field of Search** D6/396, 449, 458, D6/462, 463, 464, 465, 510, 511, 566; 108/59, 147.11; 211/85.3, 41.4, 49.1, 71.01, 85.31, 90.01, 90.03, 106, 119.003, 133.2, 133.5, 139, 153, 181.1, 183

(56) **References Cited**

U.S. PATENT DOCUMENTS

- D. 266,130 * 9/1982 Gimmi et al. D6/566
- D. 349,000 7/1994 Rogers et al. D6/491
- D. 352,195 11/1994 Rogers et al. D6/511

- D. 354,864 1/1995 Kokenge et al. D6/511
- 4,316,593 * 2/1982 Miner et al. 211/90 X
- 4,361,099 * 11/1982 Kokenge et al. 211/134 X
- 4,783,035 * 11/1988 Remmers 211/134 X
- 5,350,072 9/1994 Rogers et al. 211/123
- 5,405,026 4/1995 Lee et al. 211/123
- 5,836,461 11/1998 Kokenge et al. 211/153

* cited by examiner

Primary Examiner—Cathron Brooks

(74) *Attorney, Agent, or Firm*—Howrey Simon Arnold & White LLP

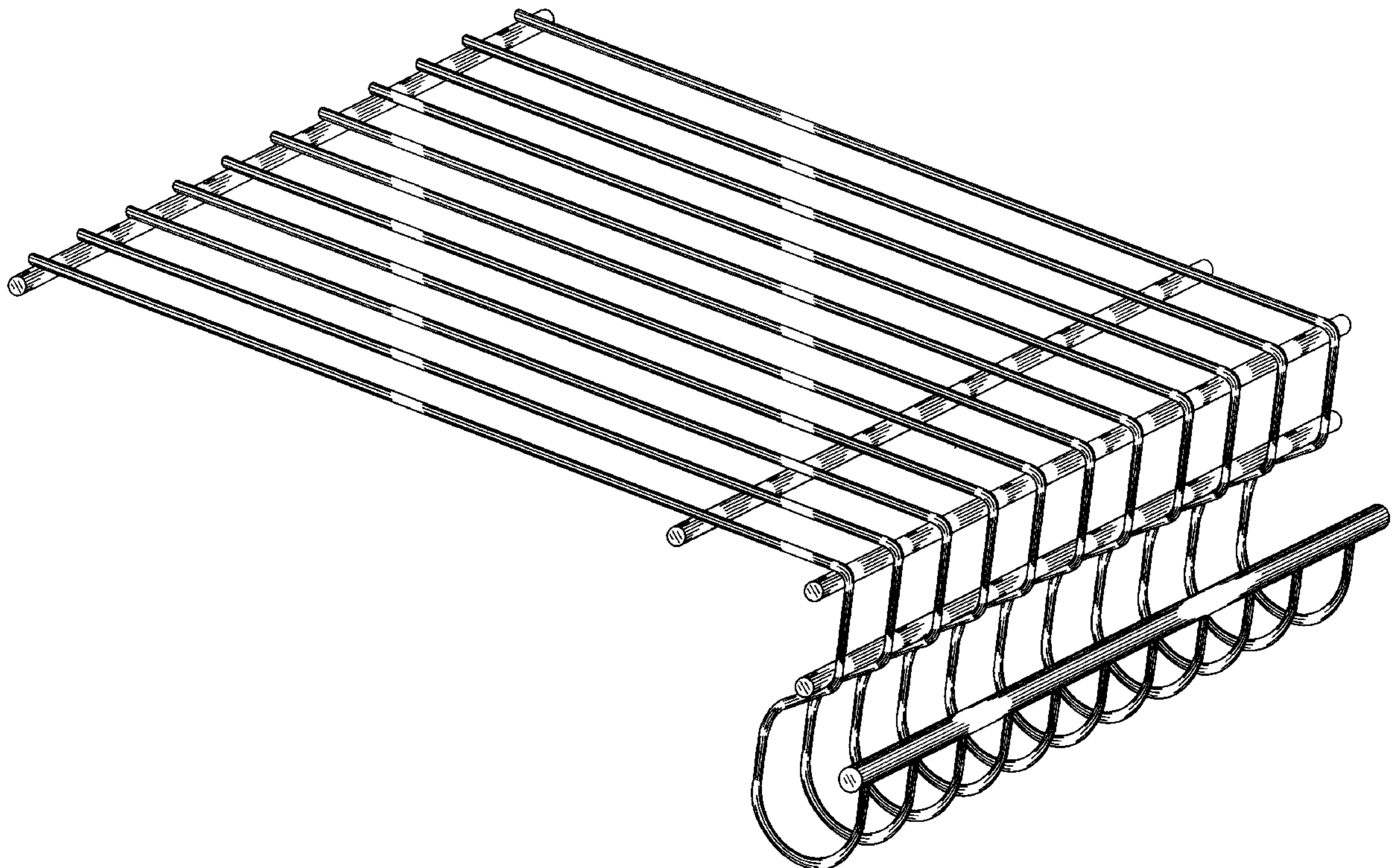
(57) **CLAIM**

The ornamental design for a wire shelf, as shown and described.

DESCRIPTION

FIG. 1 is a front perspective view of the wire shelf, showing our new design;
 FIG. 2 is an enlarged top plan view;
 FIG. 3 is an enlarged bottom plan view;
 FIG. 4 is an enlarged side elevation view, (the view of the side opposite that shown in FIG. 4 is identical to that of FIG. 4);
 FIG. 5 is a further enlarged front elevation view; and,
 FIG. 6 is a still further enlarged back elevation view.

1 Claim, 6 Drawing Sheets



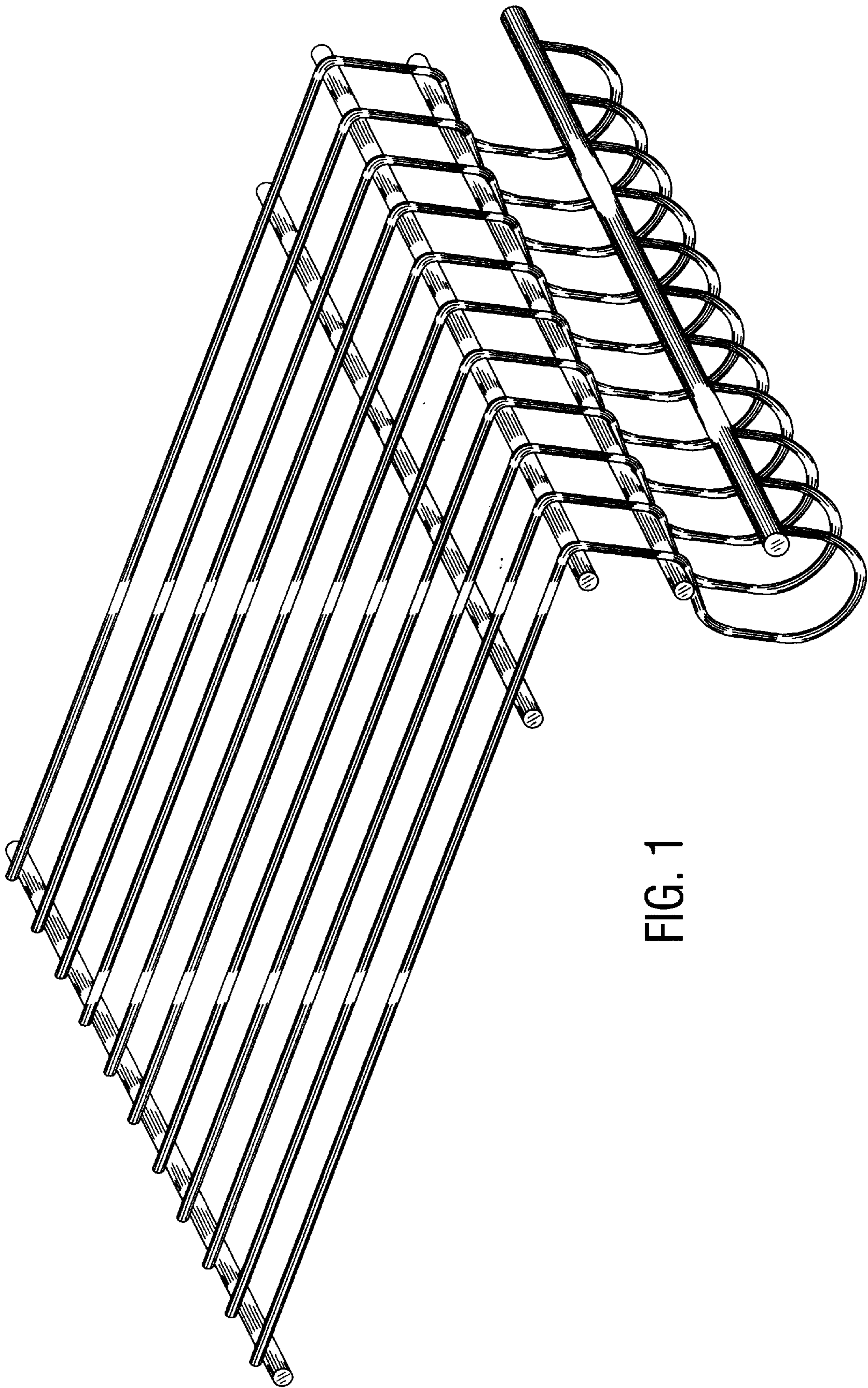


FIG. 1

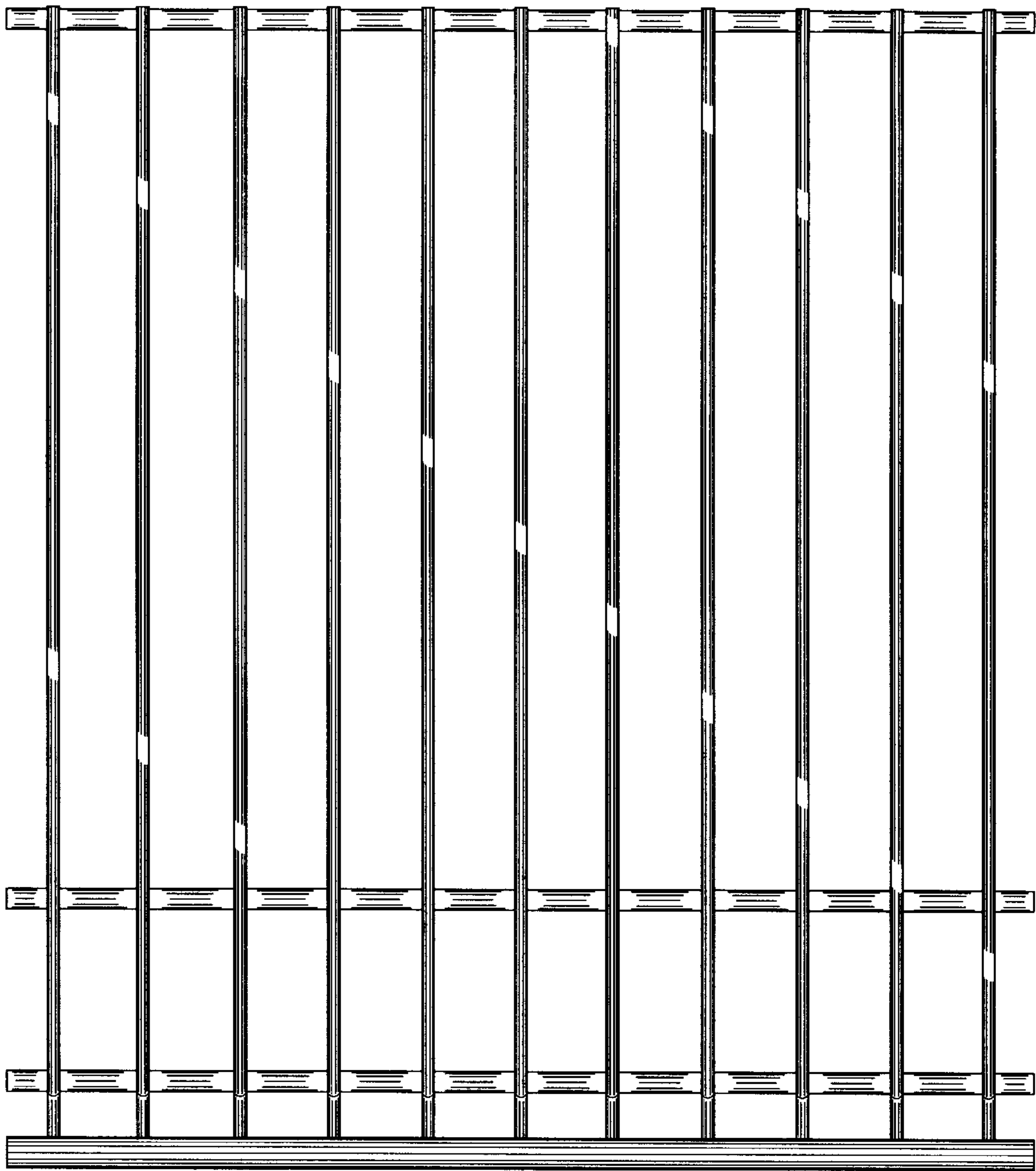


FIG. 2

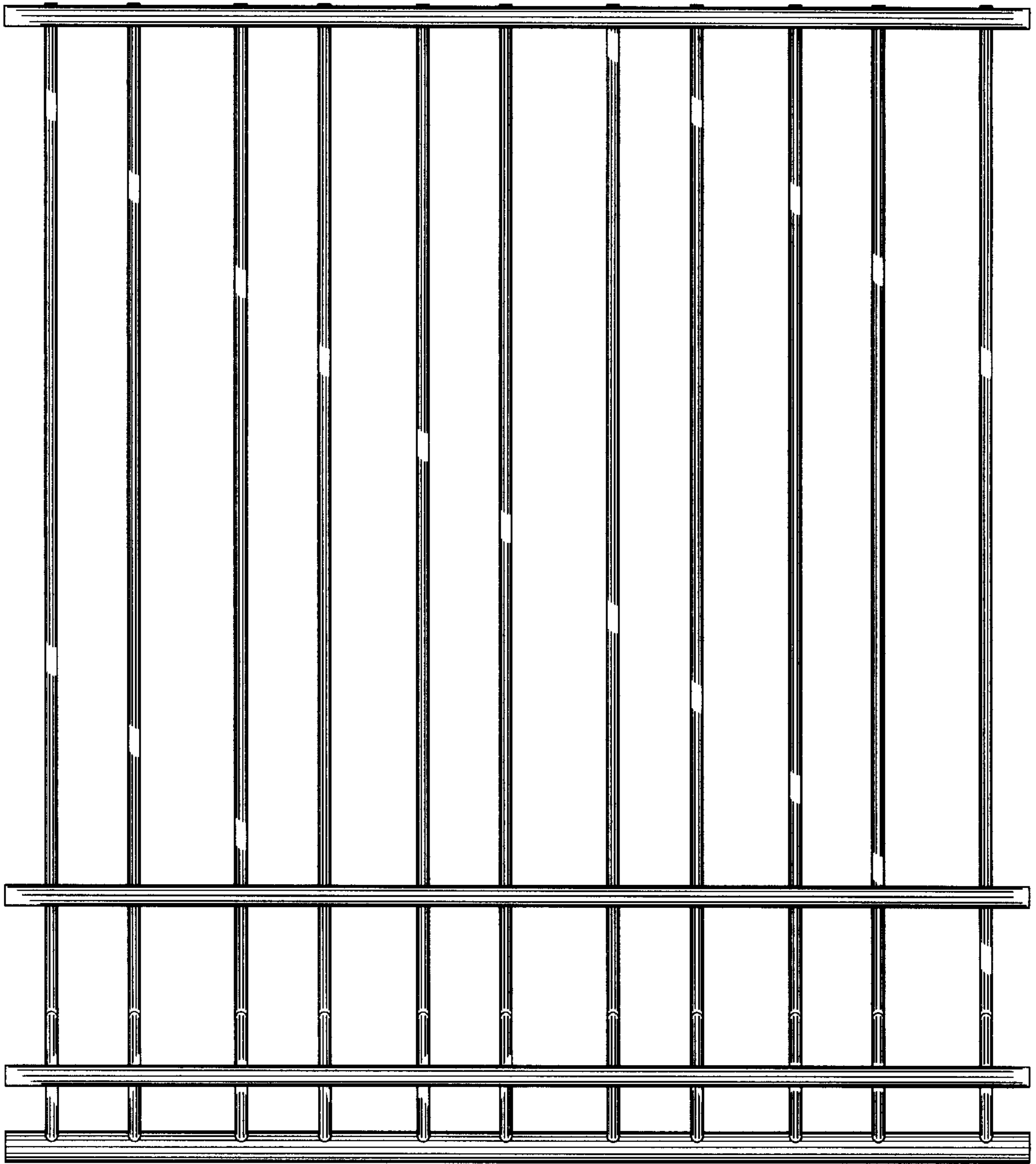


FIG. 3



FIG. 4

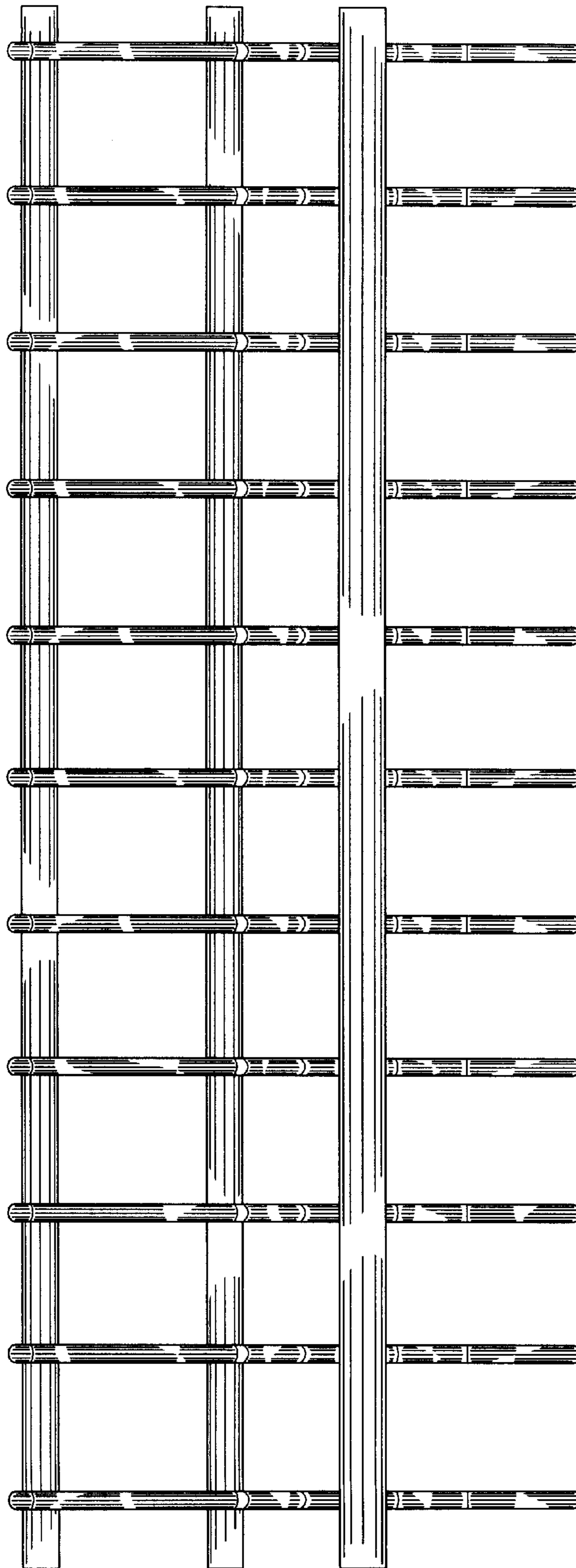


FIG. 5

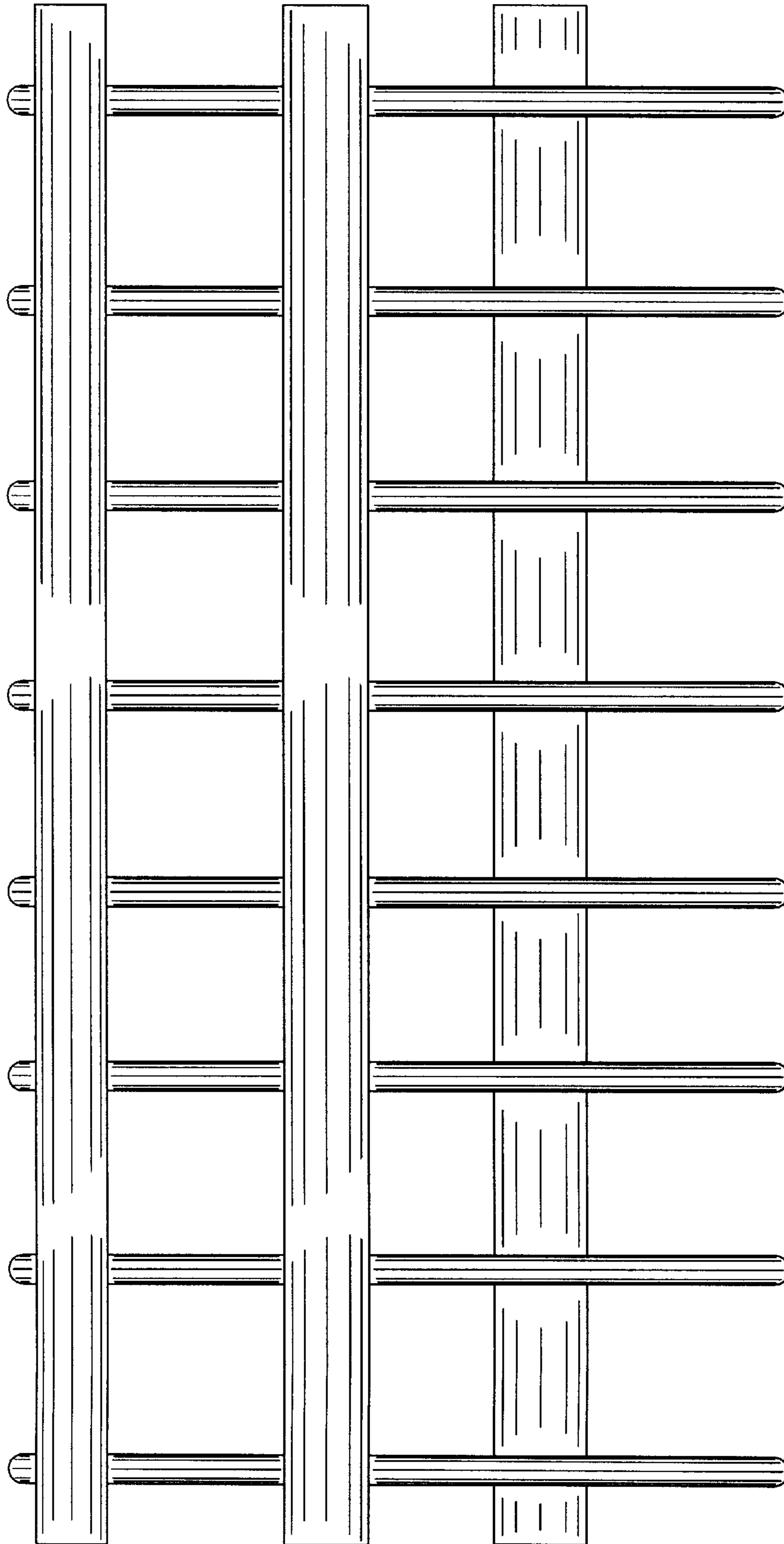


FIG. 6