



US00D437513S

(12) **United States Design Patent**
Privatt et al.

(10) **Patent No.:** **US D437,513 S**

(45) **Date of Patent:** **** Feb. 13, 2001**

(54) **CHAIR BASE**

(76) Inventors: **Leigh H. Privatt**, 273 Magnolia Place,
Waterloo, Ontario (CA), N2V 2A3; **Tim**
Gould, 10 Wellington Street North,
Drayton, Ontario (CA), N0G 1P0

(**) Term: **14 Years**

(21) Appl. No.: **29/121,646**

(22) Filed: **Apr. 12, 2000**

(30) **Foreign Application Priority Data**

Mar. 10, 2000 (CA) 2000-0668

(51) **LOC (7) Cl.** **06-06**

(52) **U.S. Cl.** **D6/498; D6/366**

(58) **Field of Search** D6/334, 364, 365,
D6/366, 367, 379, 495, 498, 500-502;
248/188, 188.1, 188.7, 188.8, 188.9; 297/411.2,
88

(56) **References Cited**

U.S. PATENT DOCUMENTS

- D. 312,013 * 11/1990 Aronowitz et al. D6/498
- D. 335,398 * 5/1993 Heidmann D6/365
- D. 343,740 * 2/1994 Ginat D6/366
- D. 353,718 * 12/1994 Olson D6/366

- D. 360,550 * 7/1995 Ford D6/498
- D. 366,377 * 1/1996 Perl D6/498
- D. 395,962 * 7/1998 Buffon D6/365
- D. 401,075 * 11/1998 Smith D6/366
- D. 405,968 * 2/1999 Beaulieu D6/366
- D. 414,629 * 10/1999 Perl D6/498
- D. 416,406 * 11/1999 Donati D6/498
- D. 417,100 * 11/1999 Lee D6/498
- 4,471,995 * 9/1984 Wisniewski 297/411.2
- 5,857,739 * 1/1999 Smith 297/88

* cited by examiner

Primary Examiner—Doris V. Coles

Assistant Examiner—Mimosa De

(74) *Attorney, Agent, or Firm*—Dimock Stratton Clarizio;
Dino P. Clarizio

(57) **CLAIM**

The ornamental design for a chair base, as shown and described.

DESCRIPTION

FIG. 1 is a perspective view of the chair base;
FIG. 2 is a side elevational view;
FIG. 3 is another side elevational view;
FIG. 4 is a top plan view; and,
FIG. 5 is a bottom plan view.

1 Claim, 3 Drawing Sheets

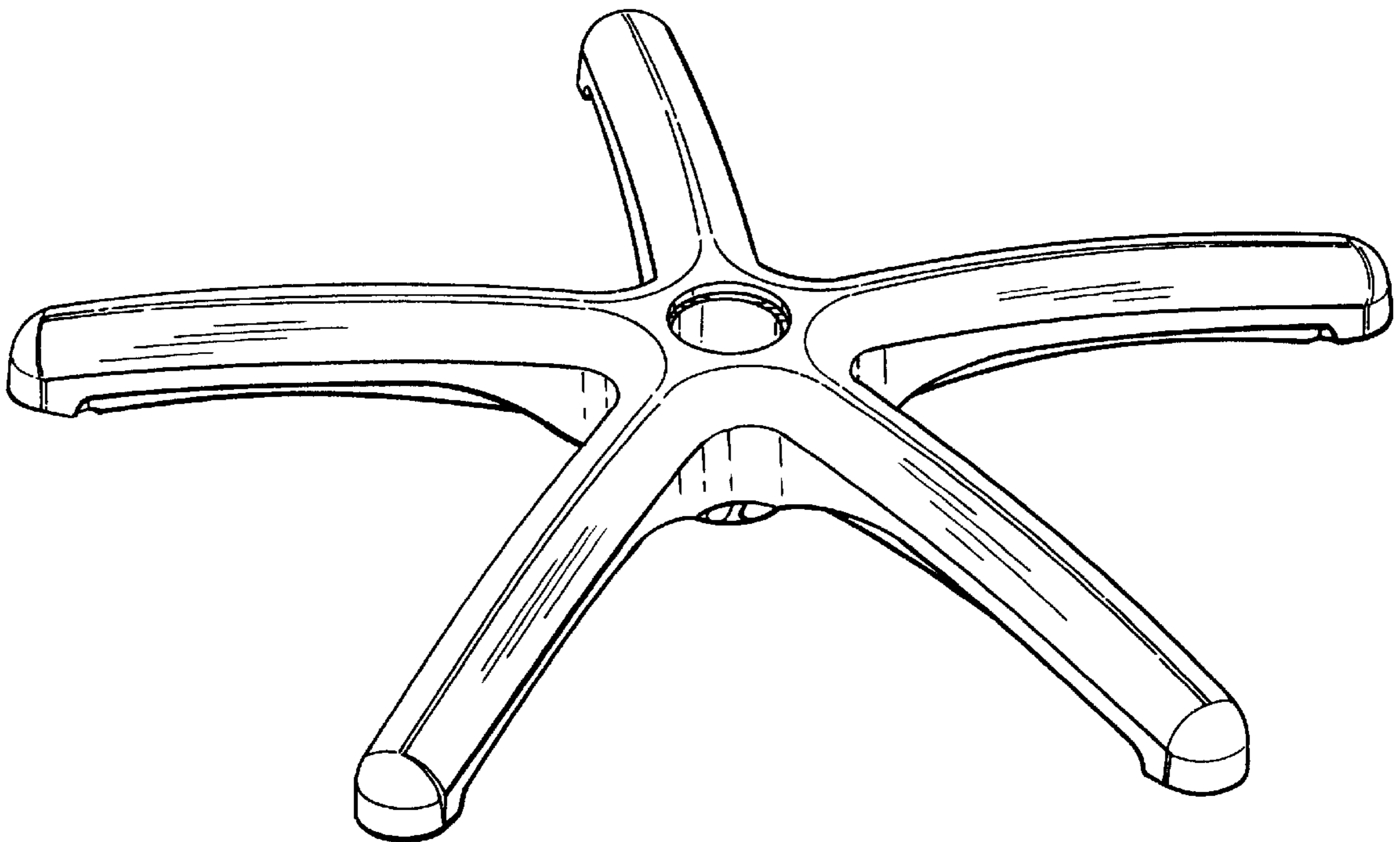


FIG. 1.

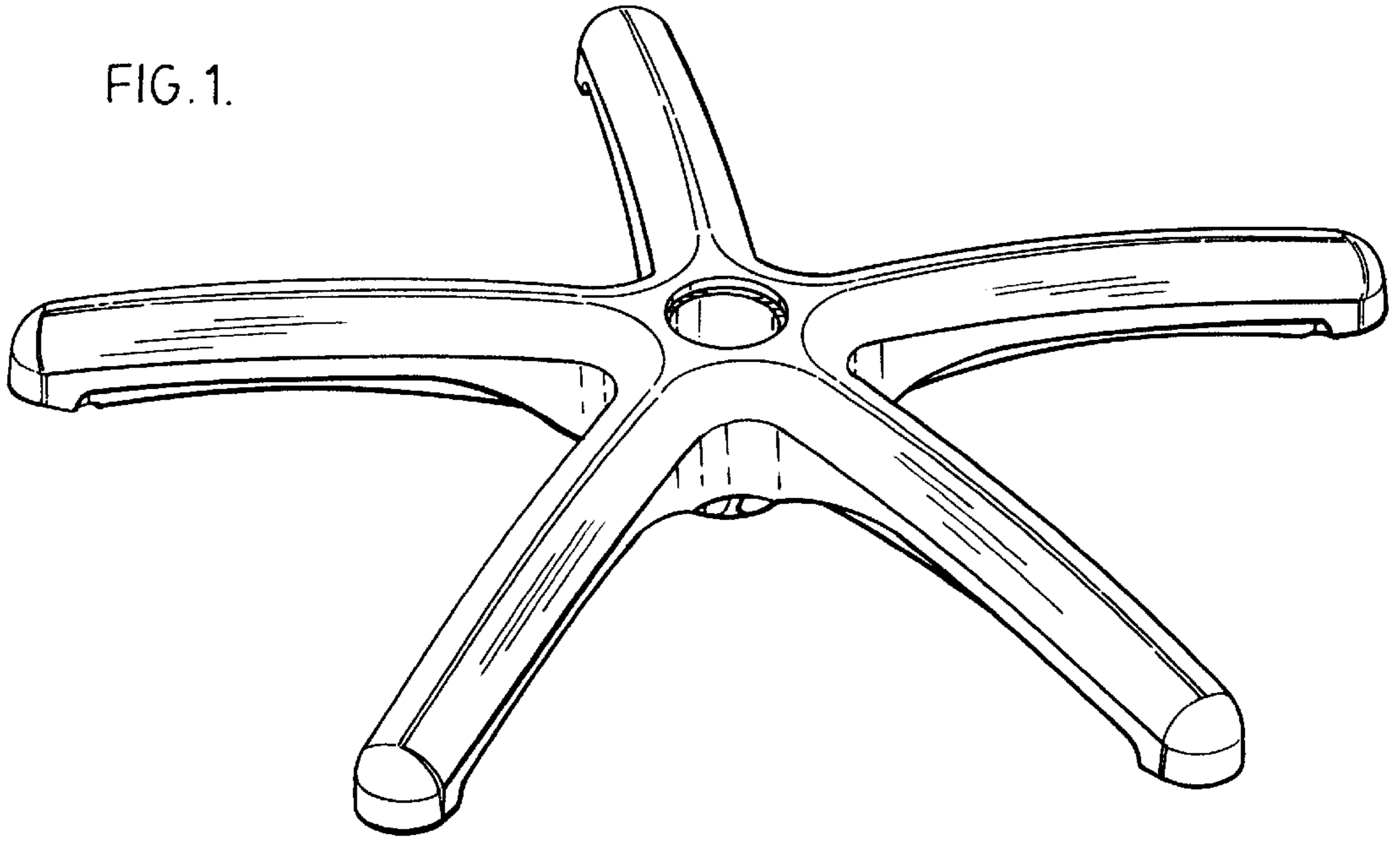


FIG. 2.

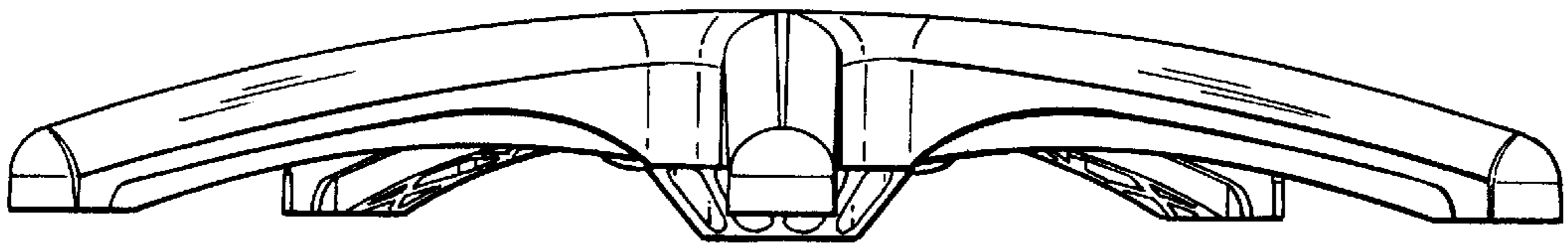


FIG. 3.

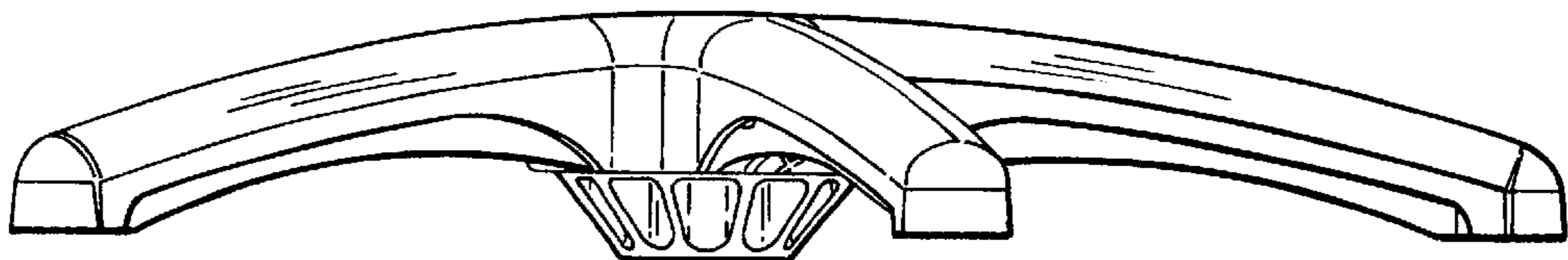


FIG. 4.

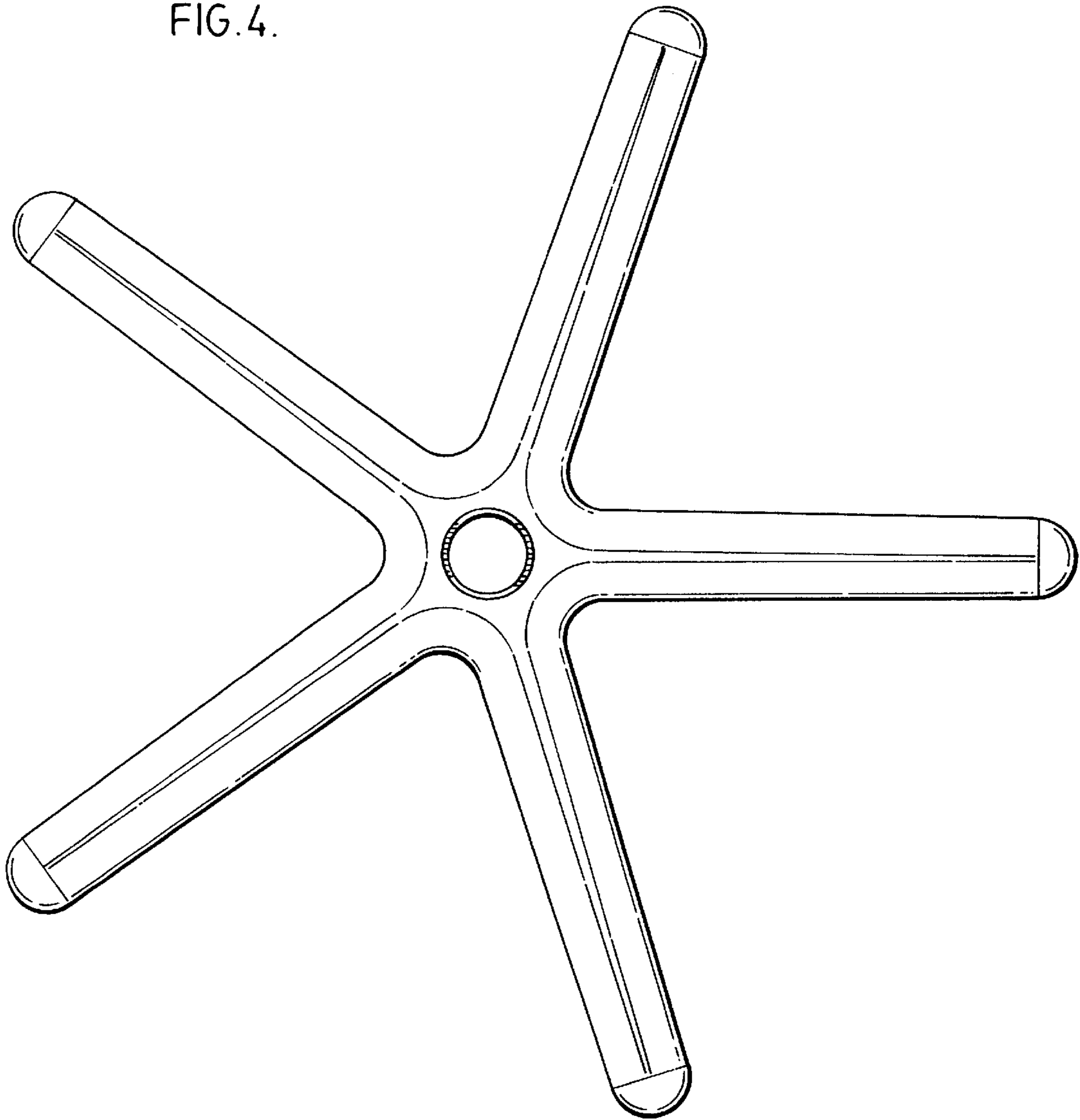


FIG. 5.

