



US00D437512S

(12) **United States Design Patent**  
**Simmons**

(10) **Patent No.:** **US D437,512 S**

(45) **Date of Patent:** **\*\* Feb. 13, 2001**

(54) **TABLE WITH ADJUSTABLE HEIGHT**

5,116,004 \* 5/1992 Luecke ..... 248/161  
5,842,742 \* 12/1998 Hoshino ..... 297/338

(76) **Inventor:** **David Simmons**, 2 Regents Place,  
Blackheath, London (GB), SE3 0LX

\* cited by examiner

*Primary Examiner*—Janice E. Seeger

(\*\*) **Term:** **14 Years**

(57) **CLAIM**

The ornamental design for a table with adjustable height, as shown and described.

(21) **Appl. No.:** **29/119,895**

**DESCRIPTION**

(22) **Filed:** **Mar. 10, 2000**

FIG. 1 is a front elevational view of the table with adjustable height of the present invention;

(51) **LOC (7) Cl.** ..... **06-03**

FIG. 2 is a rear elevational view of the table with adjustable height of FIG. 1;

(52) **U.S. Cl.** ..... **D6/488; D6/429**

FIG. 3 is a right side elevational view of the table with adjustable height of FIG. 1, the left view being a mirror image thereof;

(58) **Field of Search** ..... D6/480–489, 495–499,  
D6/511, 429–431; 108/150, 151, 153.1,  
156, 157.1, 161, 144.11, 147.19; 248/188,  
188.1, 188.4, 188.7, 405

FIG. 4 is a left side elevational view in an alternate position of the table with adjustable height of FIG. 1;

(56) **References Cited**

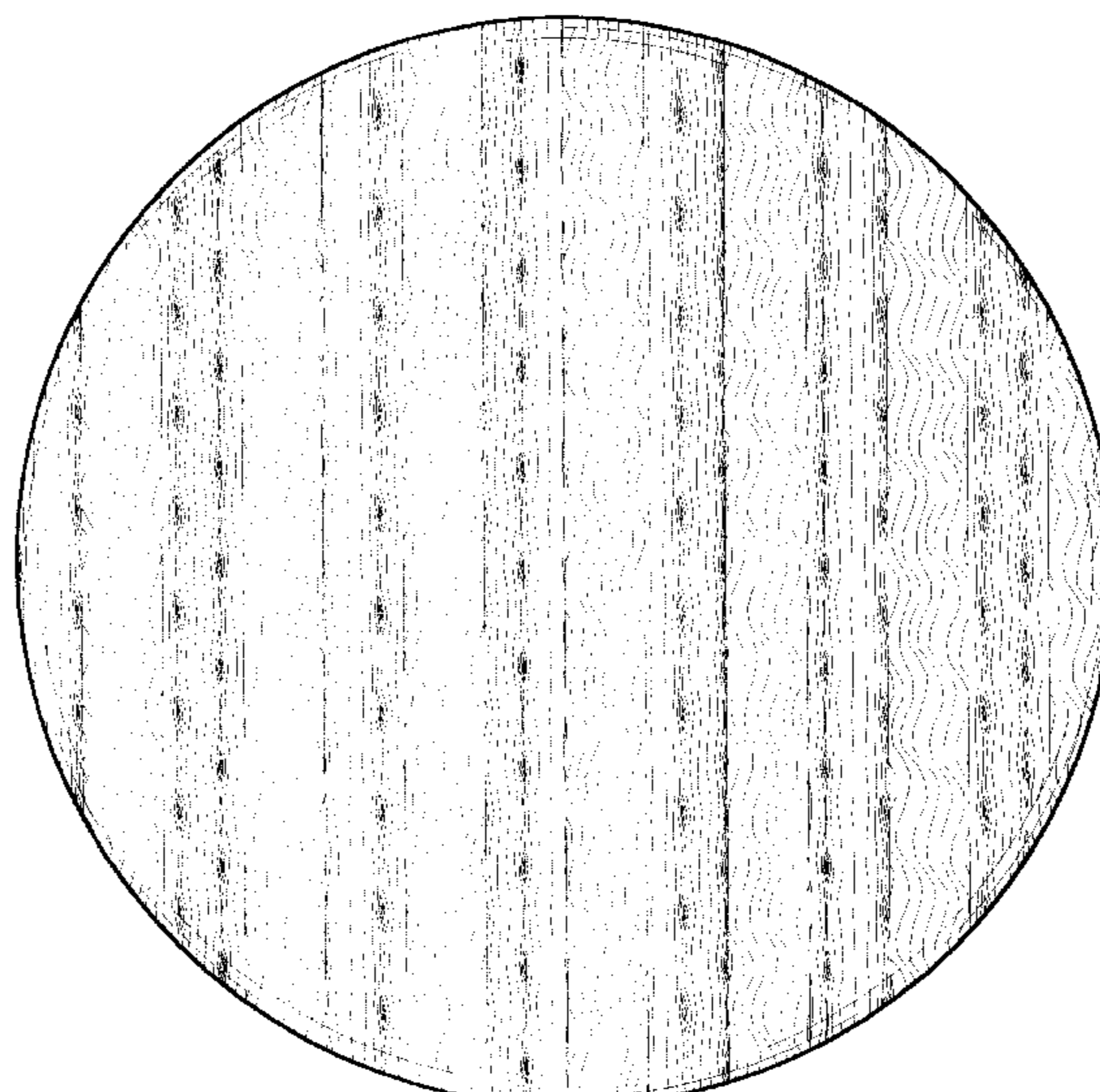
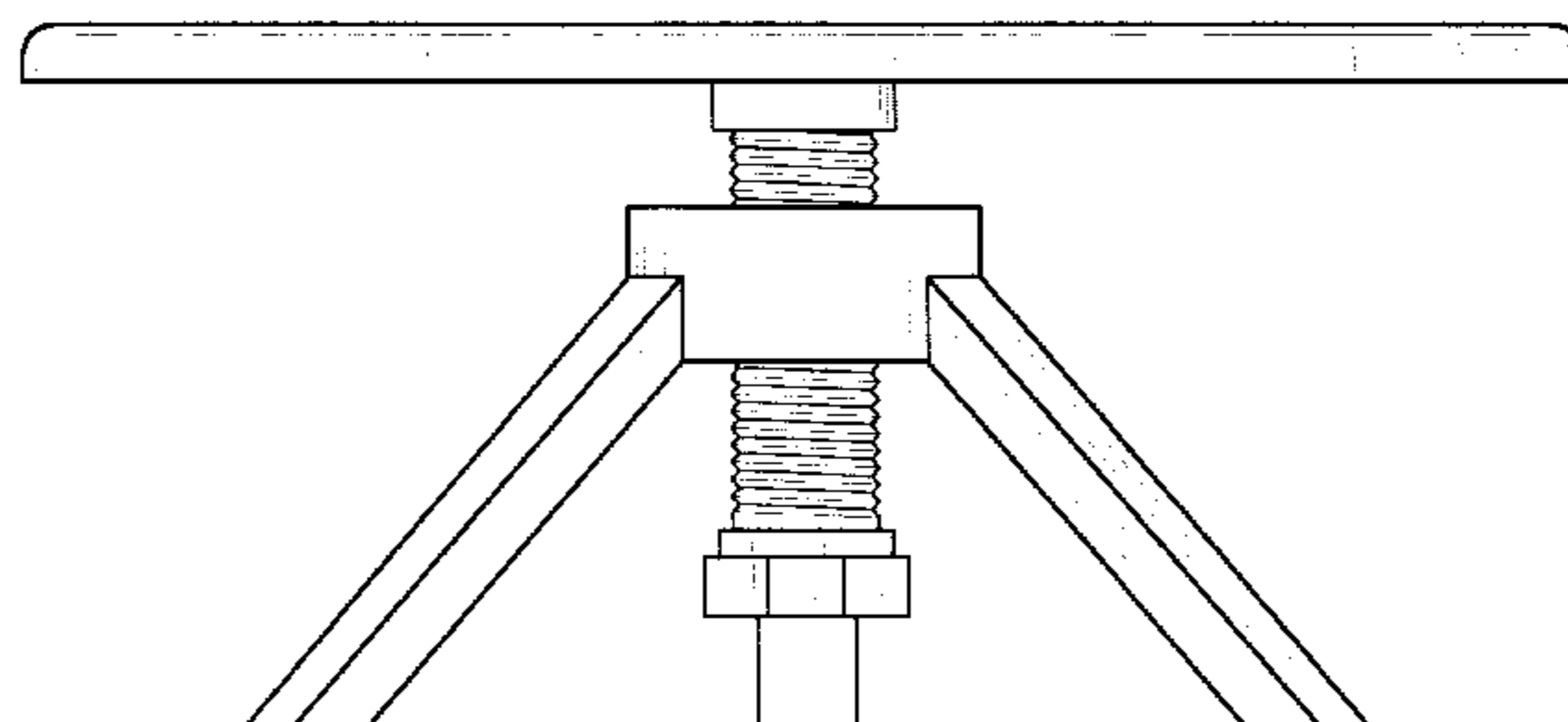
FIG. 5 is a top plan view of the table with adjustable height of FIG. 1; and,

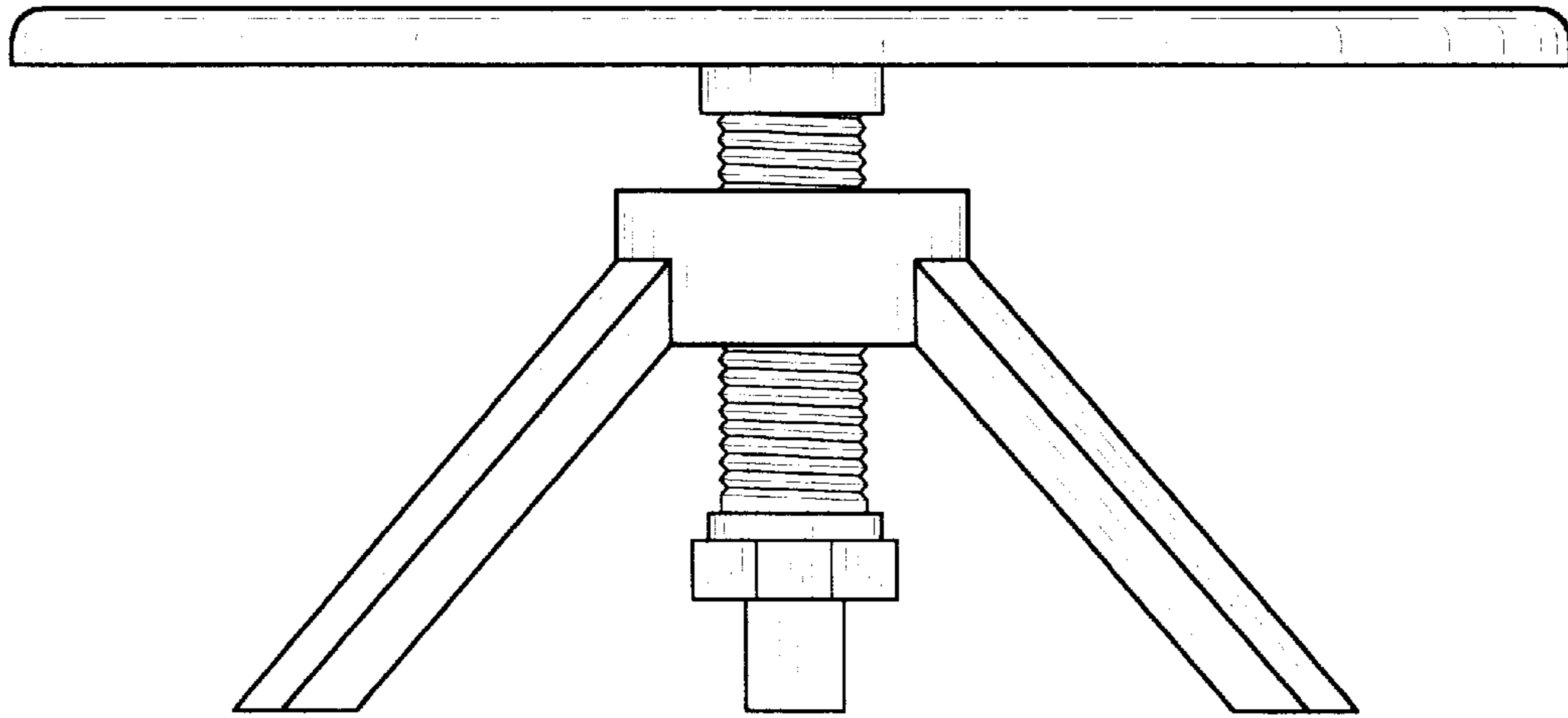
**U.S. PATENT DOCUMENTS**

FIG. 6 is a bottom plan view of the table with adjustable height of FIG. 1.

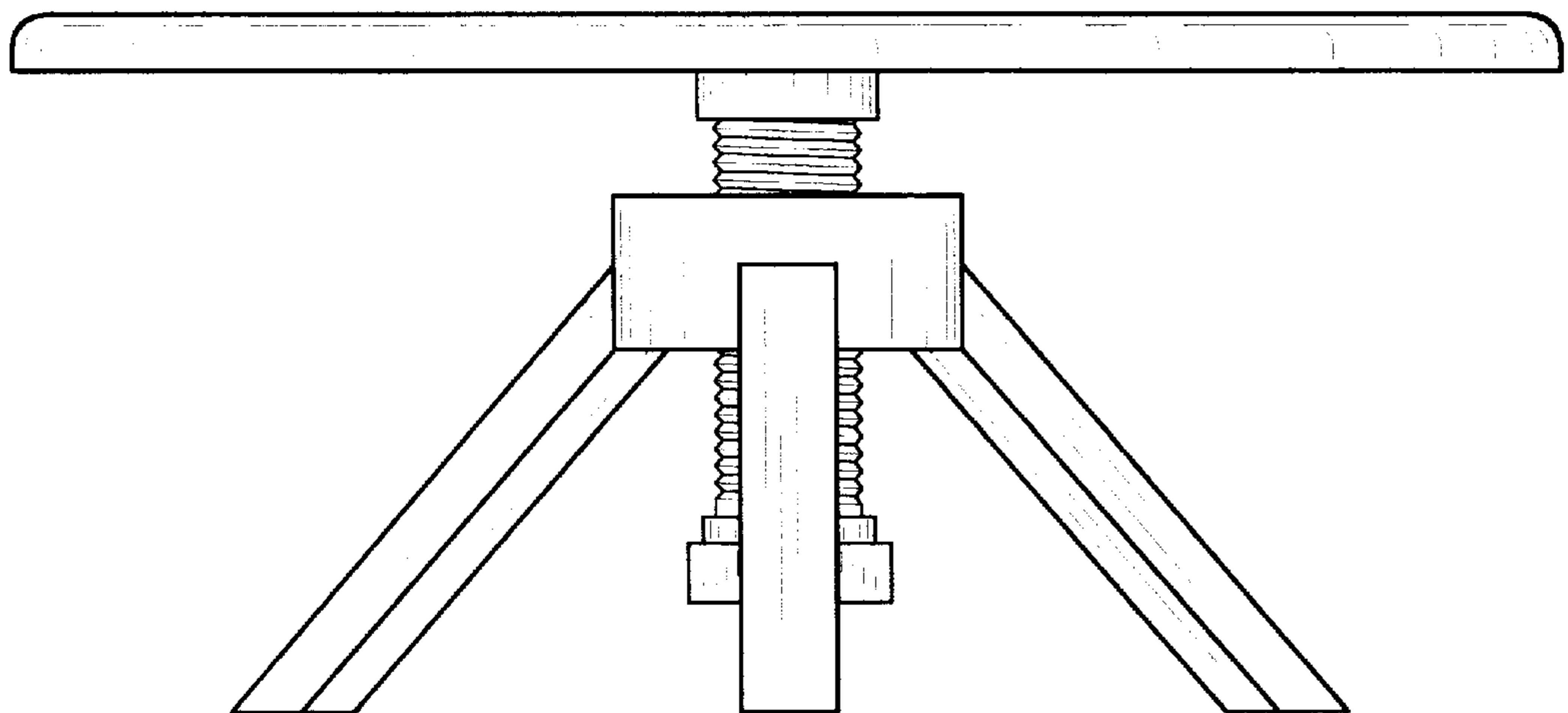
- D. 343,077 \* 1/1994 Wegener ..... D6/480
- D. 386,329 \* 11/1997 Keclik ..... D6/486

**1 Claim, 4 Drawing Sheets**

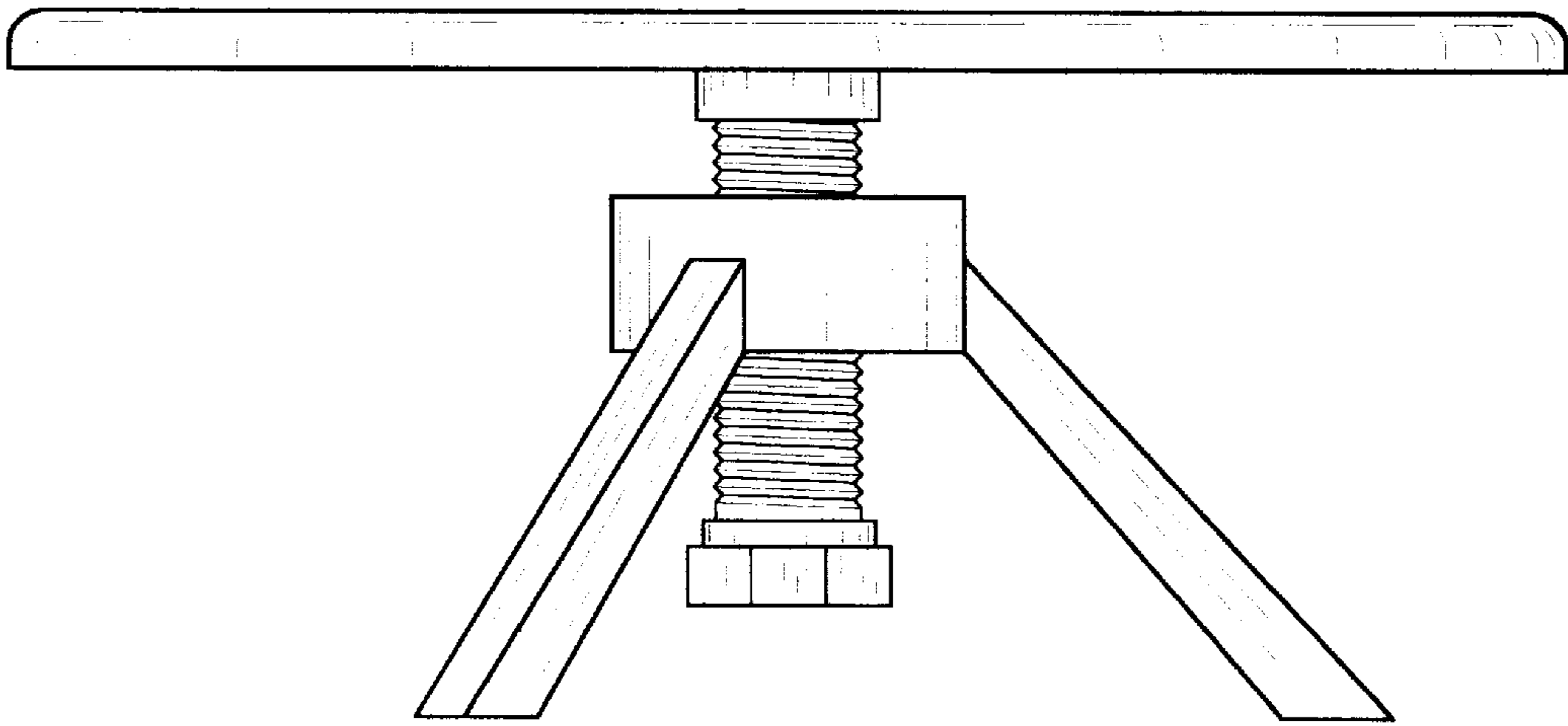




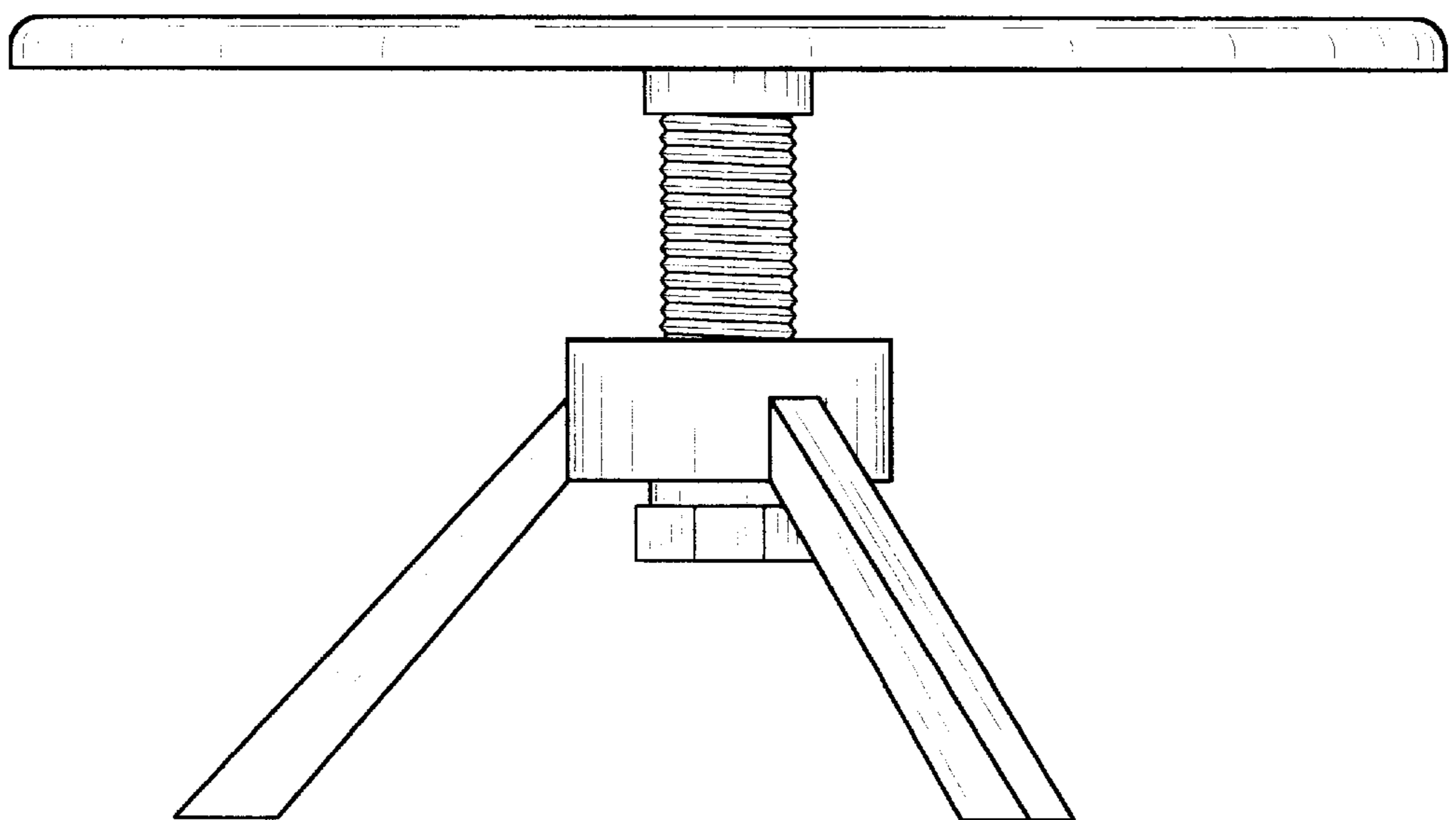
*Fig. 1*



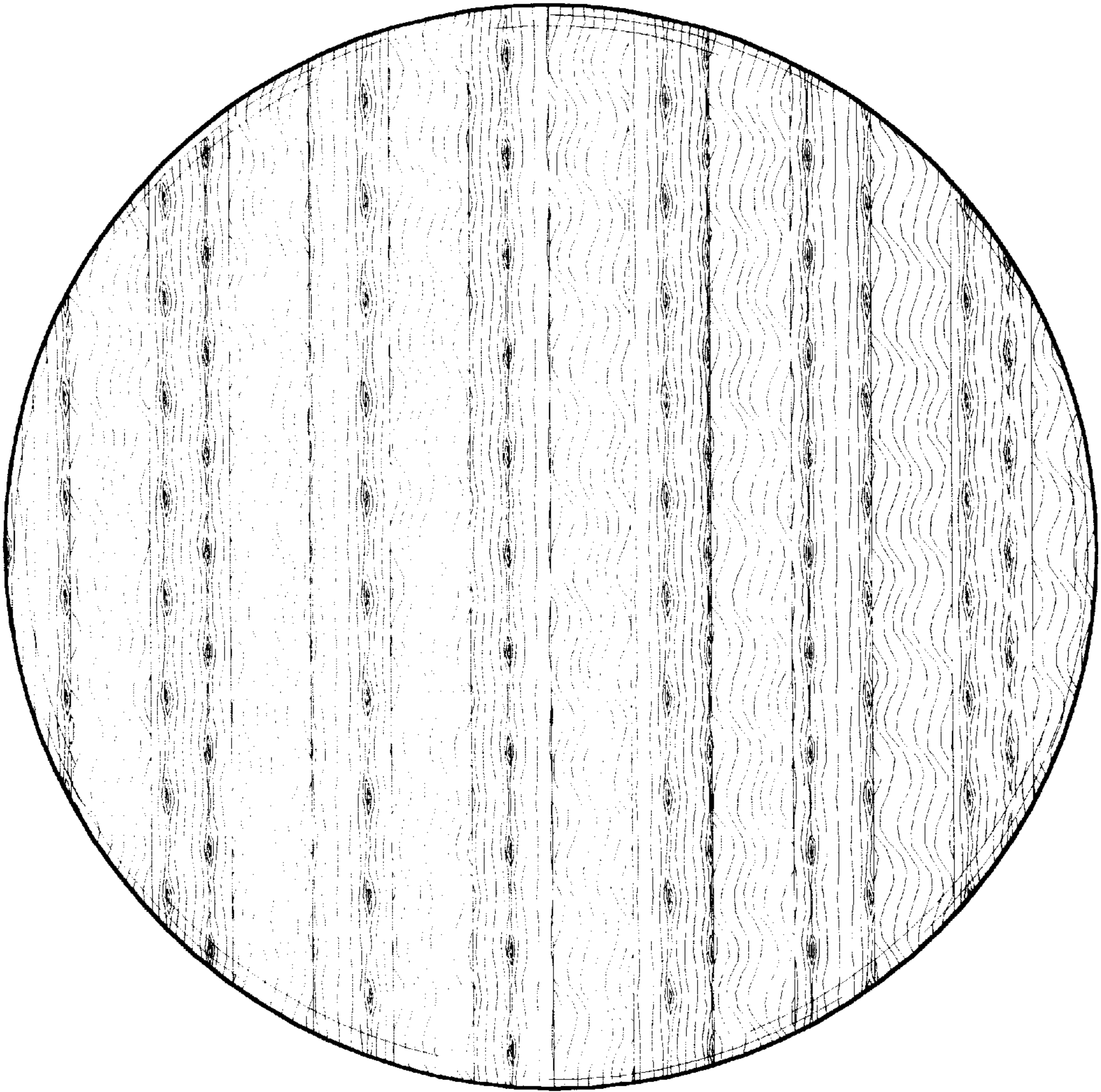
*Fig. 2*



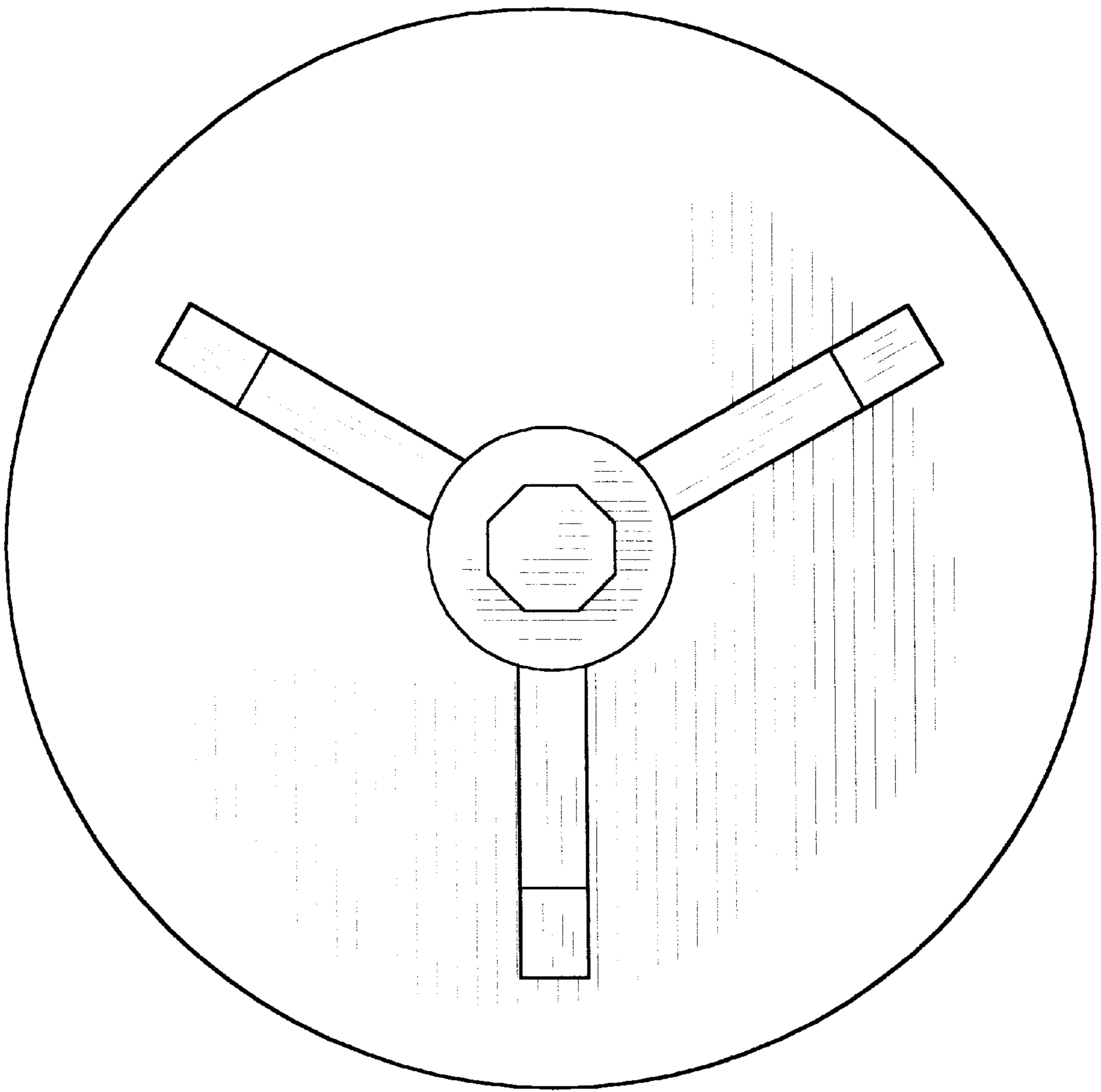
*Fig. 3*



*Fig. 4*



*Fig. 5*



*Fig. 6*