



US00D437511S

(12) **United States Design Patent**
Boyce

(10) **Patent No.:** **US D437,511 S**

(45) **Date of Patent:** **** Feb. 13, 2001**

(54) **TABLE**

(76) Inventor: **David L. Boyce**, HC 69, Box 328-A,
Damascus, PA (US) 18415

(**) Term: **14 Years**

(21) Appl. No.: **29/116,034**

(22) Filed: **Dec. 23, 1999**

(51) **LOC (7) Cl.** **06-03**

(52) **U.S. Cl.** **D6/480; D6/485; D6/489**

(58) **Field of Search** **D6/480-489, 495,**
D6/511, 429; 108/153.3, 155, 156, 157.1,
157.14, 161, 25, 38, 54.01, 54.02; 248/188,
188.1, 174

(56) **References Cited**

U.S. PATENT DOCUMENTS

D. 183,995	*	11/1958	McCartan	D6/470
D. 331,851	*	12/1992	Bennett	D6/489
1,903,631	*	4/1933	Morrison	108/157.14
2,226,209	*	12/1940	Rizzuto	108/50.02
6,012,398	*	1/2000	Boyce	108/25

* cited by examiner

Primary Examiner—Janice E. Seeger

(74) *Attorney, Agent, or Firm*—Rhodes & Mason, PLLC

(57) **CLAIM**

The ornamental design for a table, as shown and described.

DESCRIPTION

FIG. 1 is a perspective view of the table in a first embodiment.

FIG. 2 is a typical side view of the table in a first embodiment.

FIG. 3 is a top view of the table in a first embodiment.

FIG. 4 is a bottom view of the table in a first embodiment.

FIG. 5 is a perspective view of the table in a second embodiment.

FIG. 6 is a typical side view of the table in a second embodiment.

FIG. 7 is a top view of the table in a second embodiment.

FIG. 8 is a bottom view of the table in a second embodiment.

FIG. 9 is a perspective view of the table in a third embodiment.

FIG. 10 is a typical side view of the table in a third embodiment.

FIG. 11 is a top view of the table in a third embodiment.

FIG. 12 is a bottom view of the table in a third embodiment.

FIG. 13 is a perspective view of the table in a fourth embodiment.

FIG. 14 is a typical side view of the table in a fourth embodiment.

FIG. 15 is top view of the table in a fourth embodiment; and,

FIG. 16 is a bottom view of the table in a fourth embodiment.

1 Claim, 8 Drawing Sheets

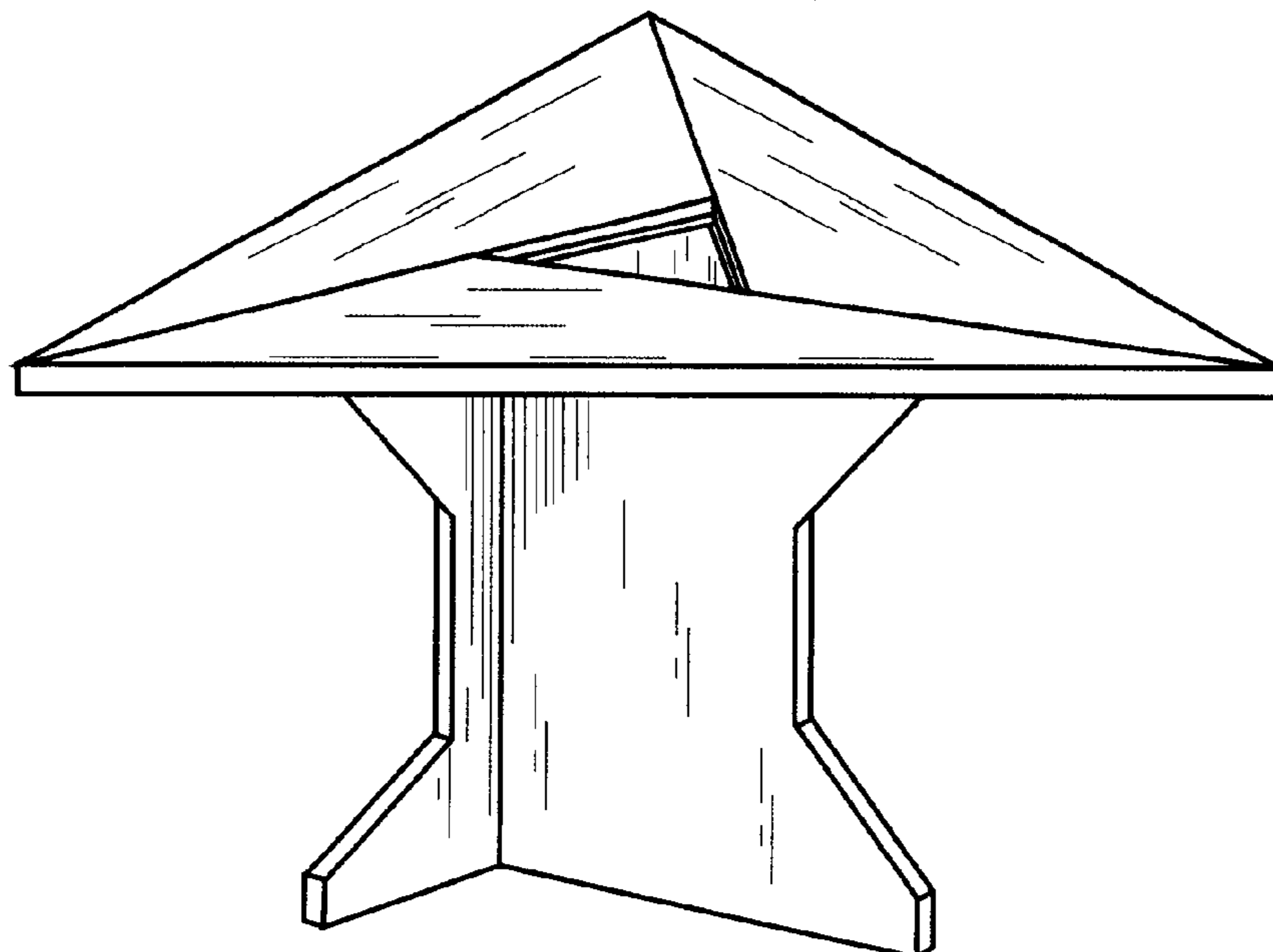


Fig. 1

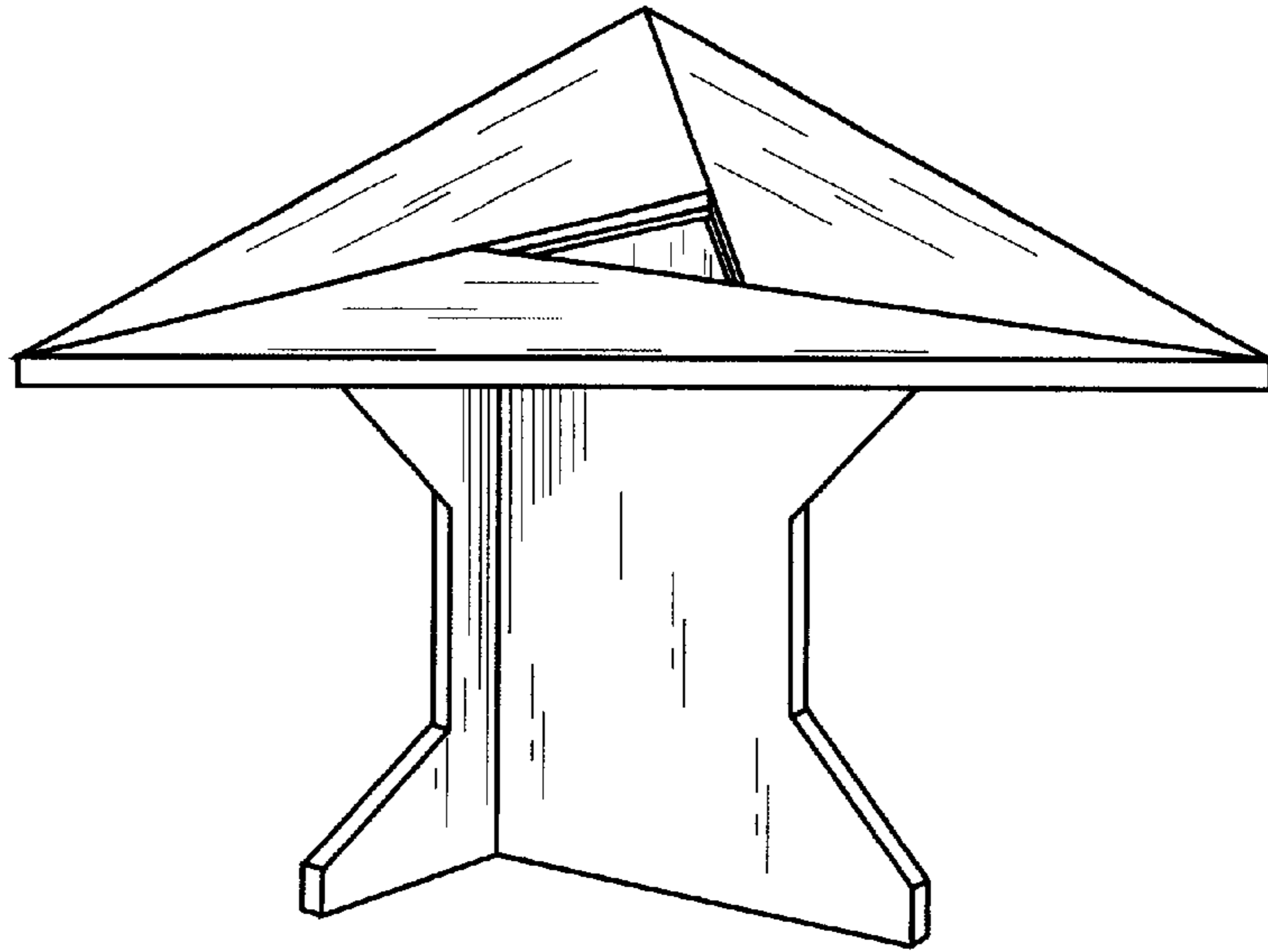


Fig. 2

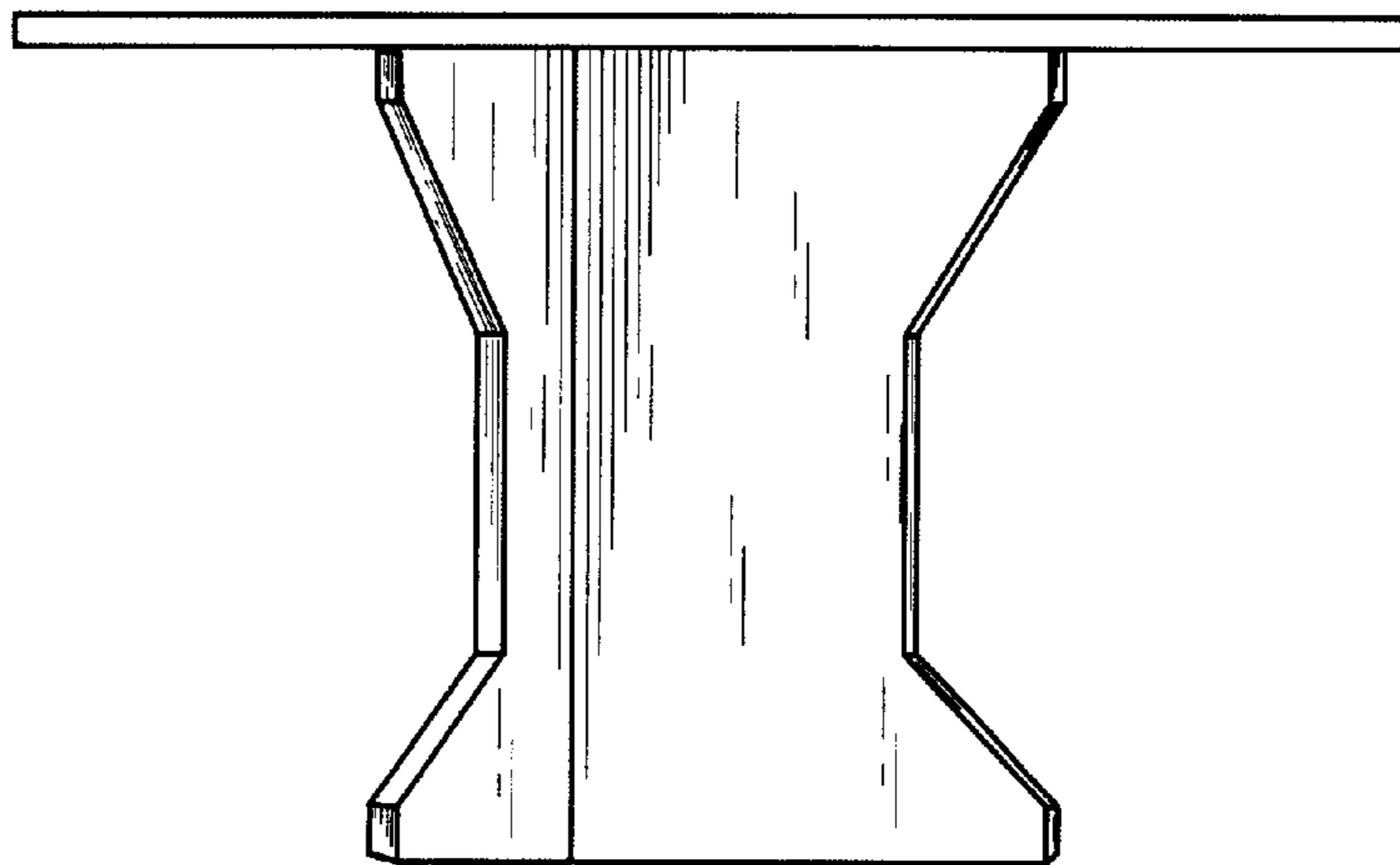


Fig. 3

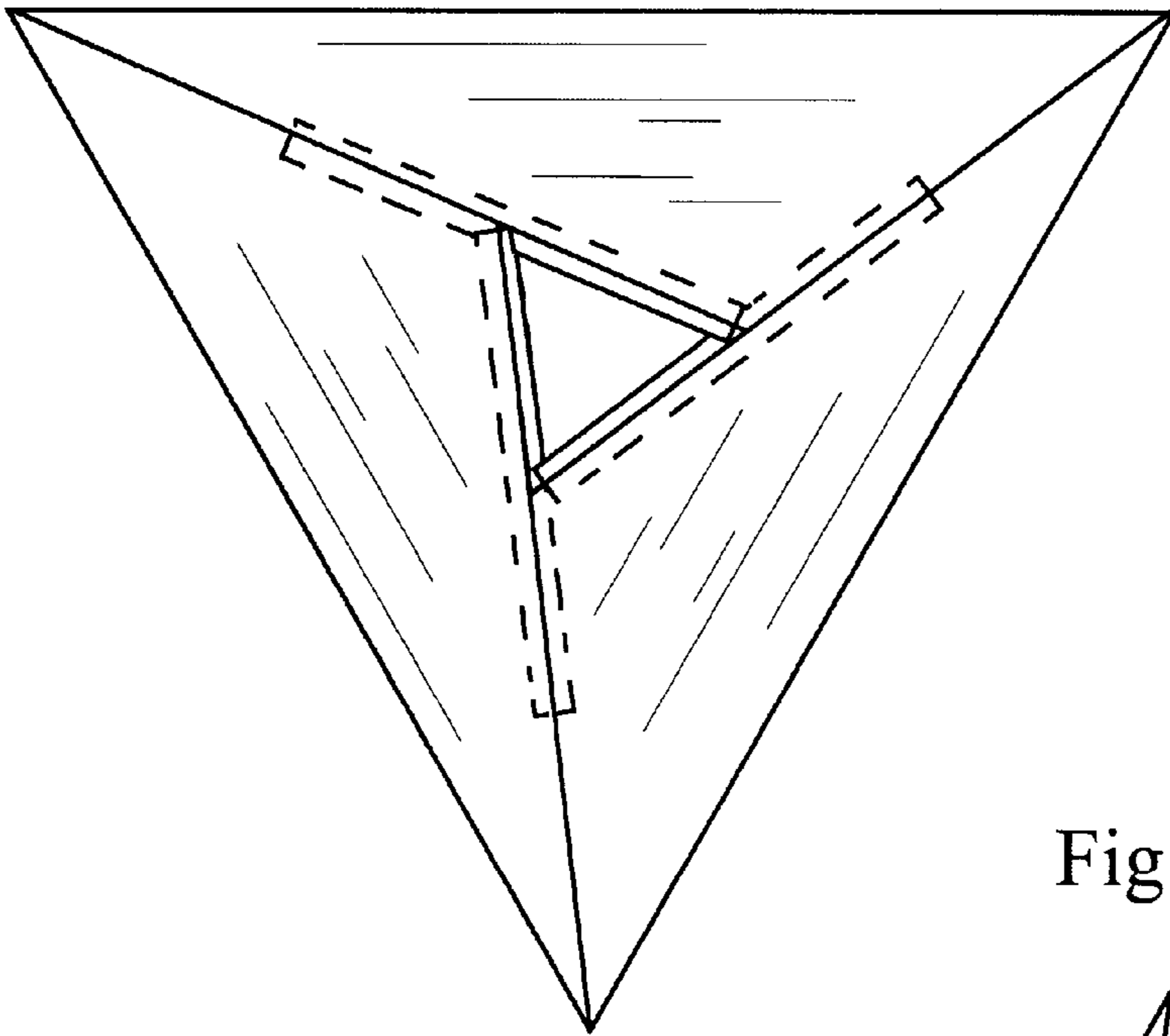


Fig. 4

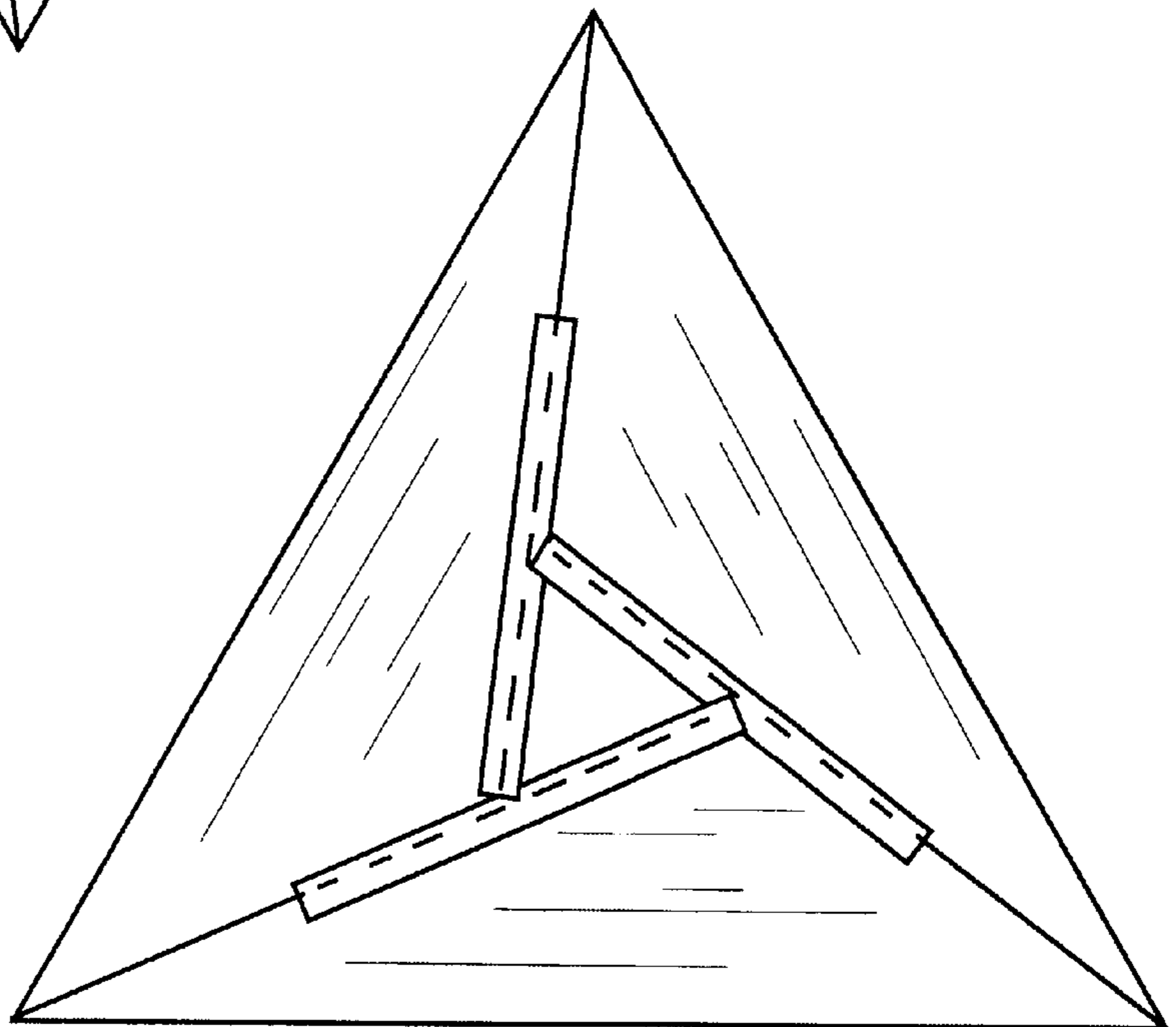


Fig. 5

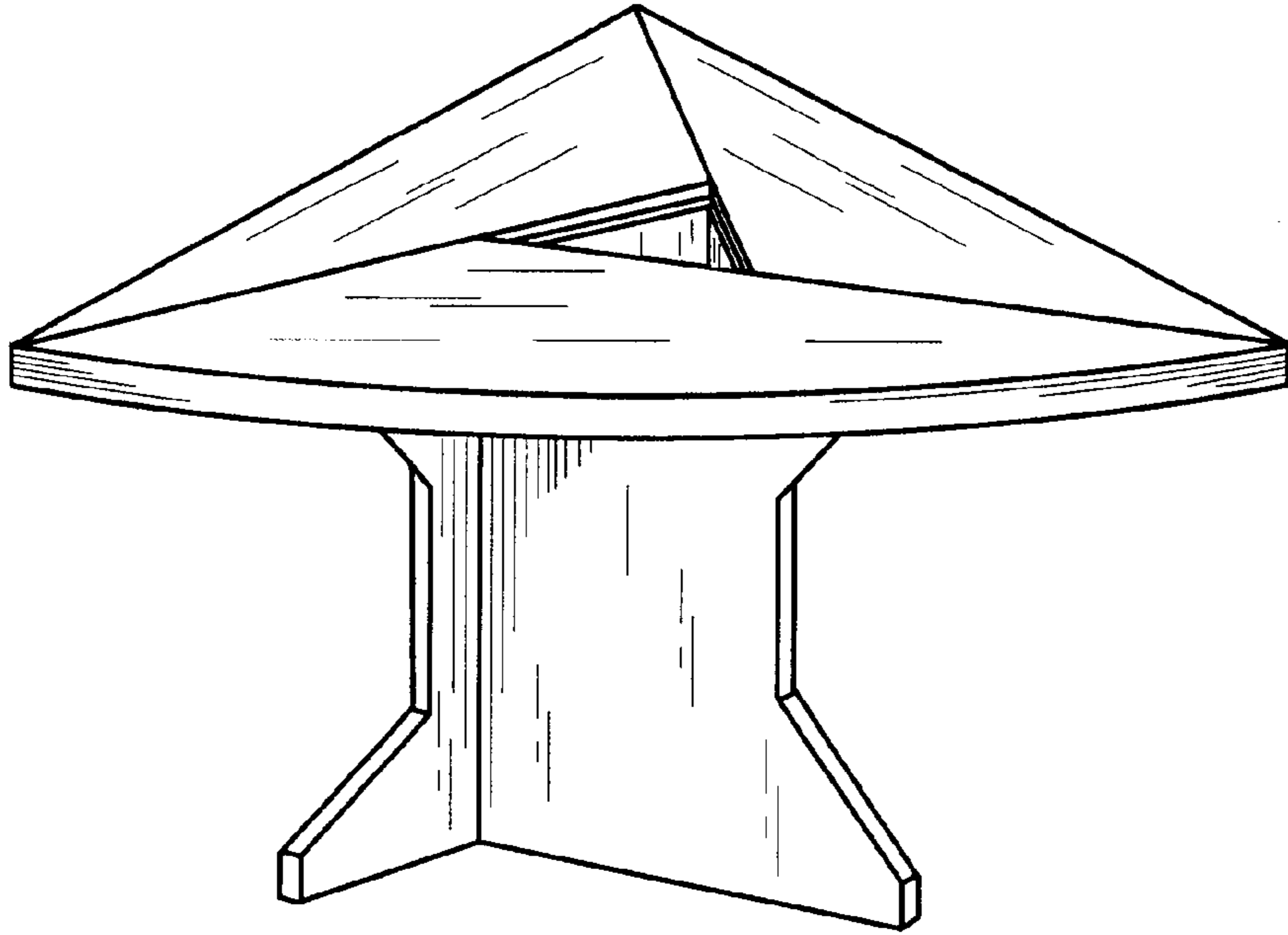


Fig. 6

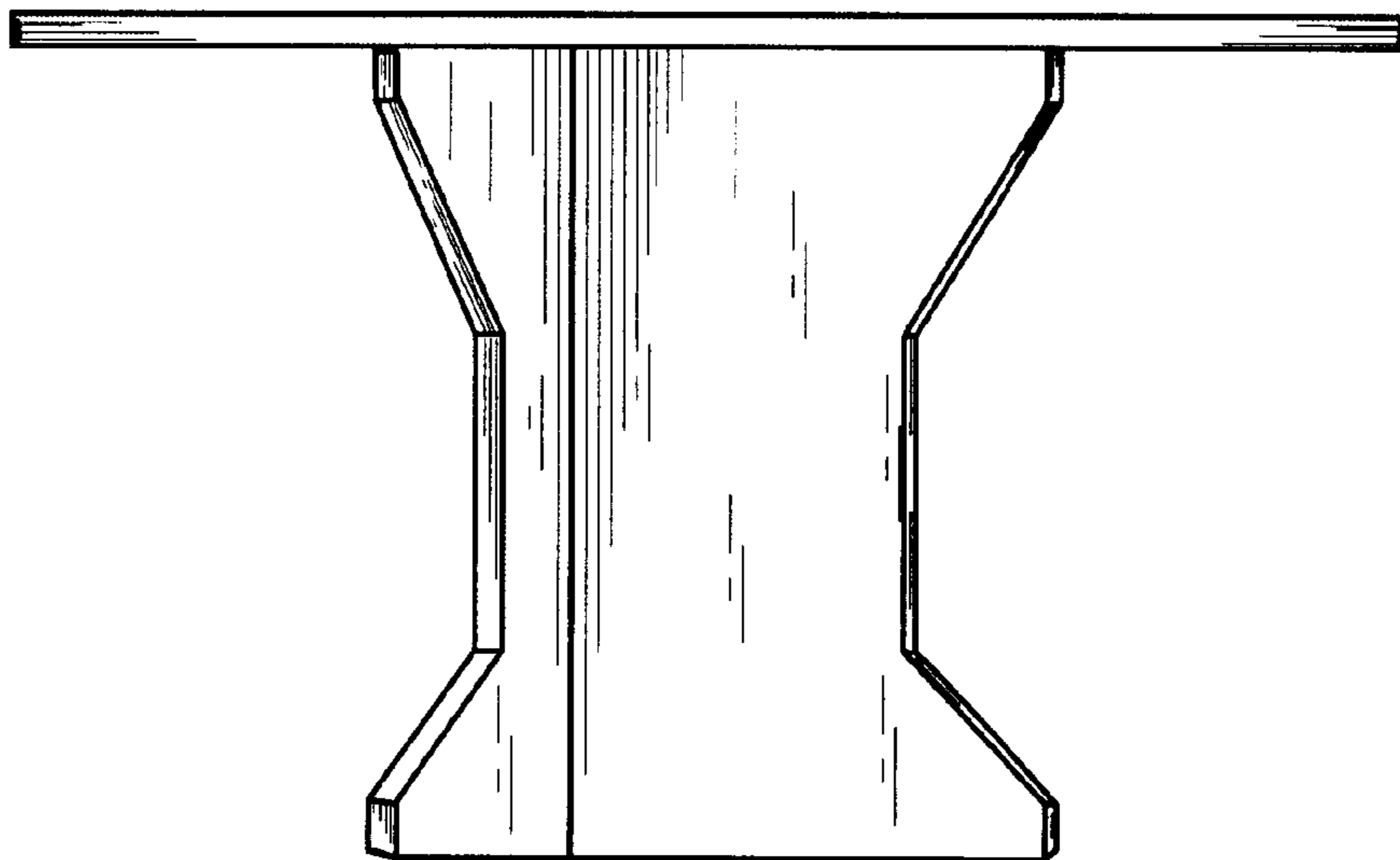


Fig. 7

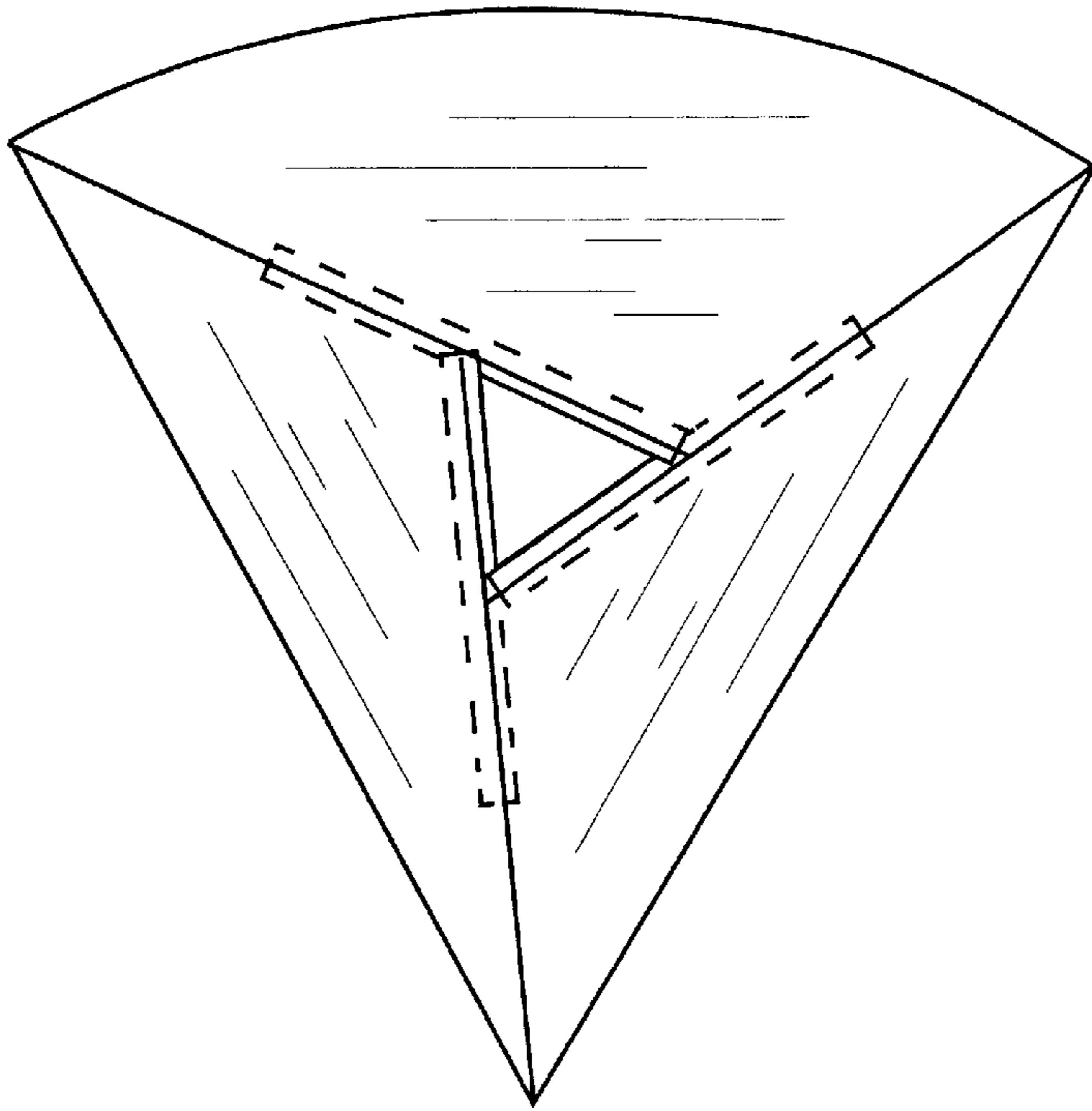


Fig. 8

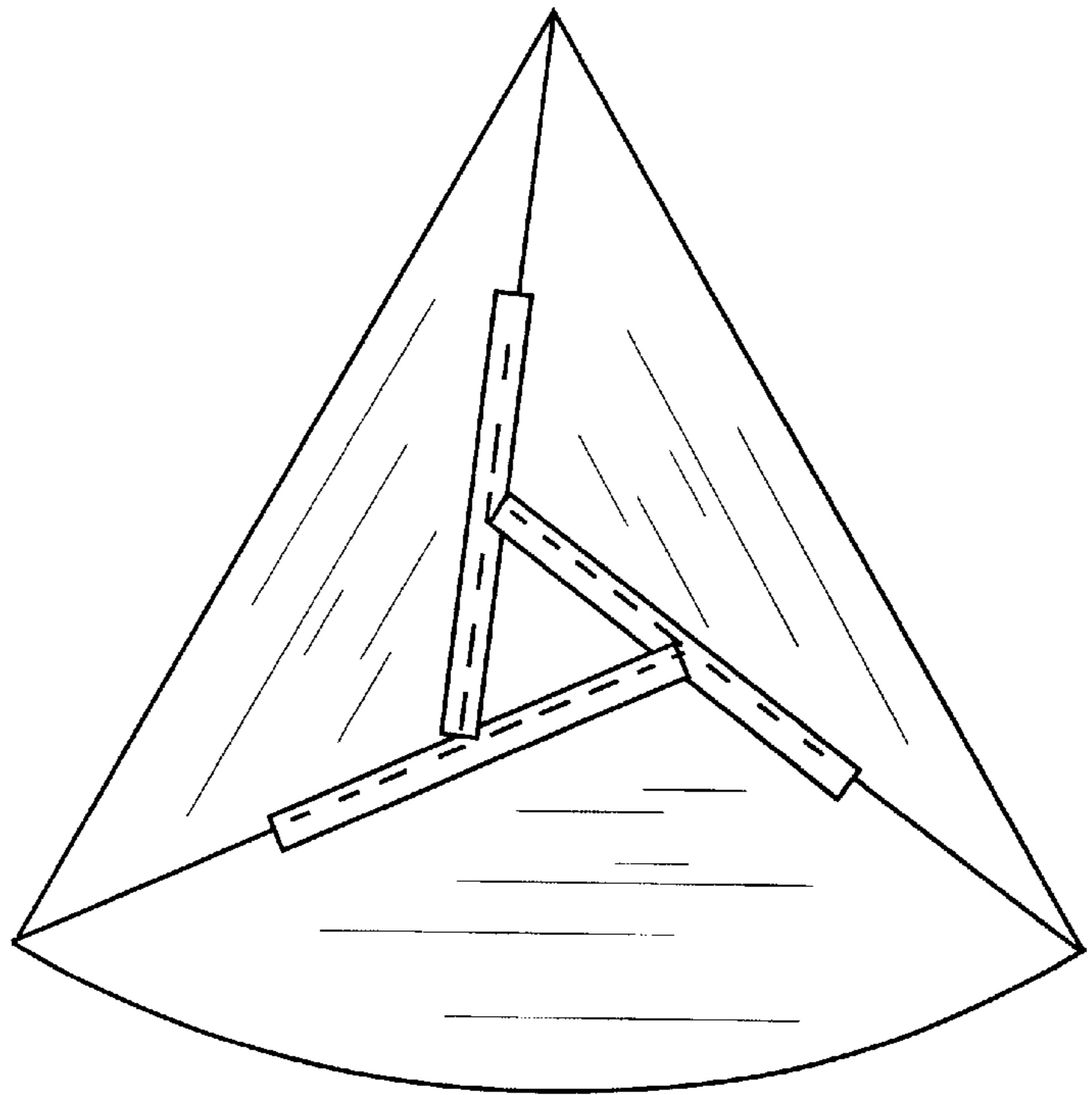


Fig. 9

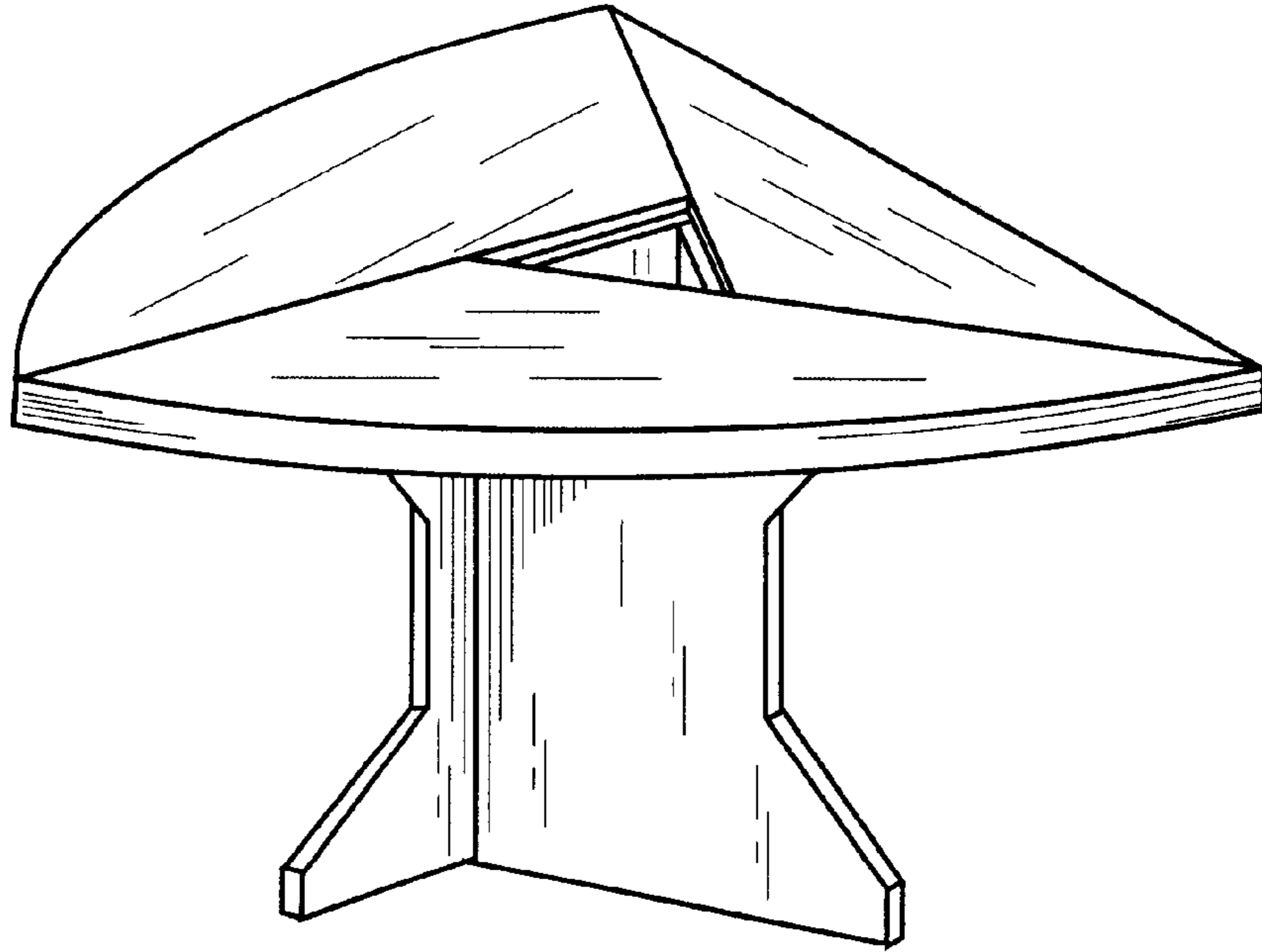


Fig. 10

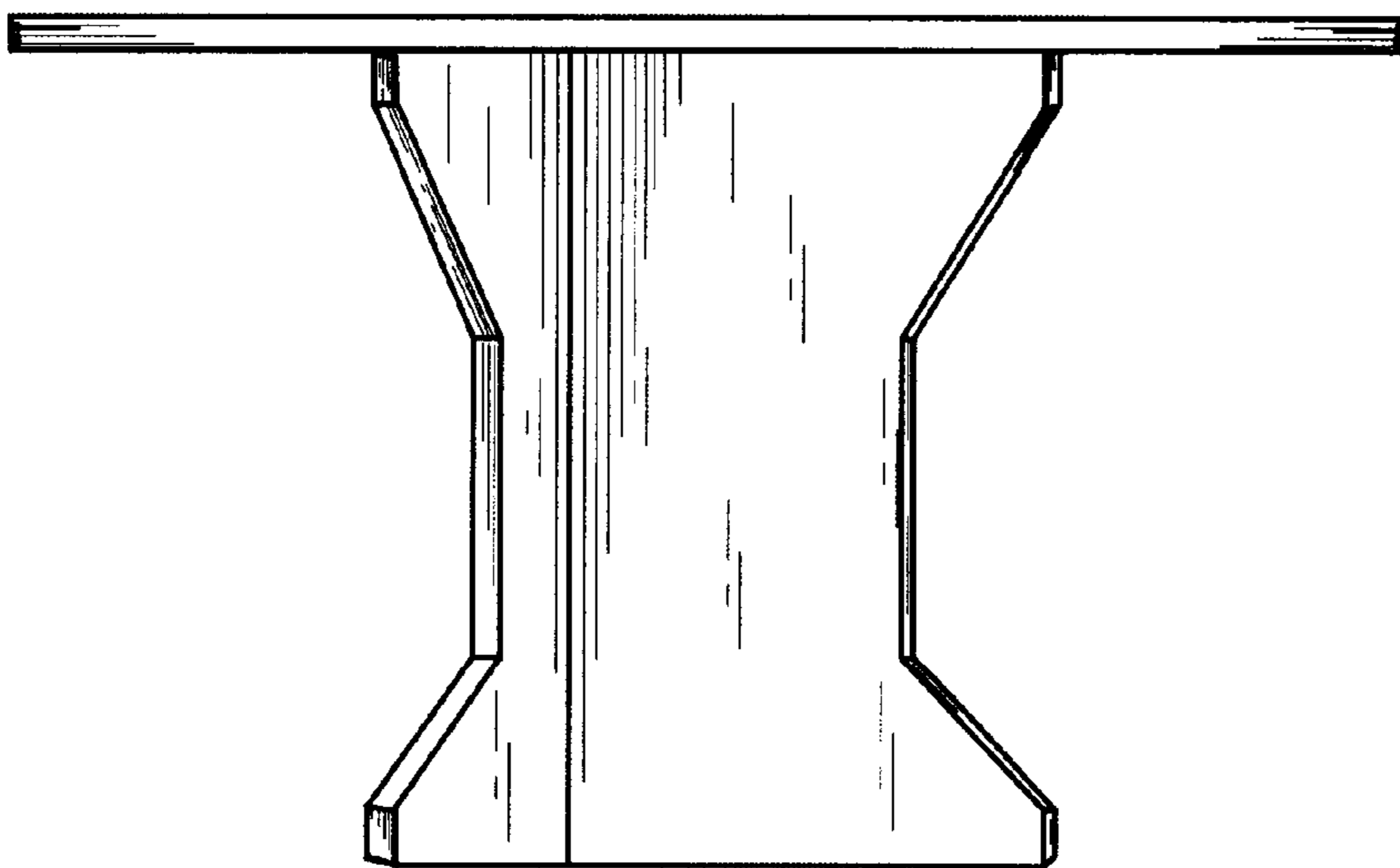


Fig. 11

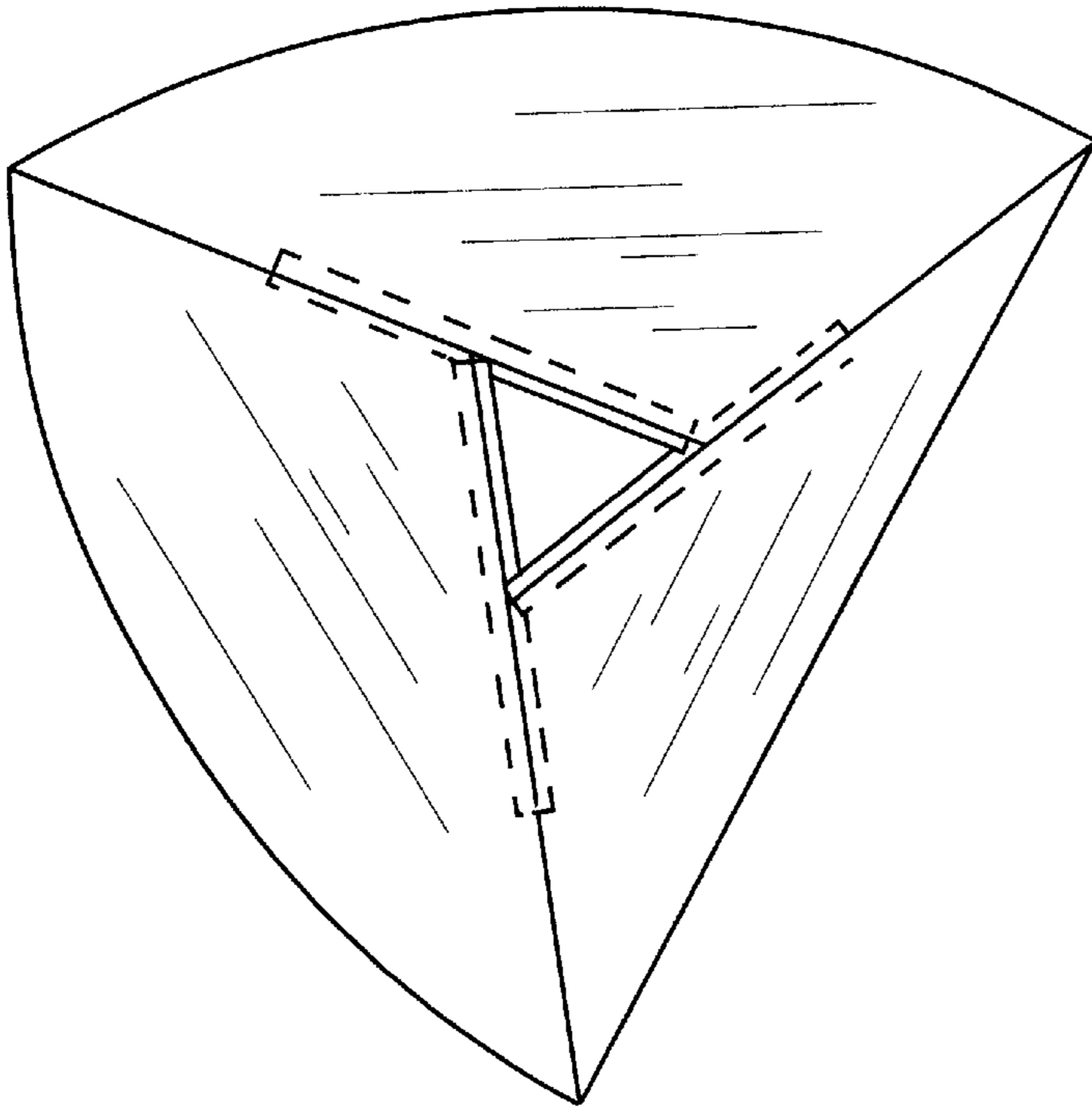


Fig. 12

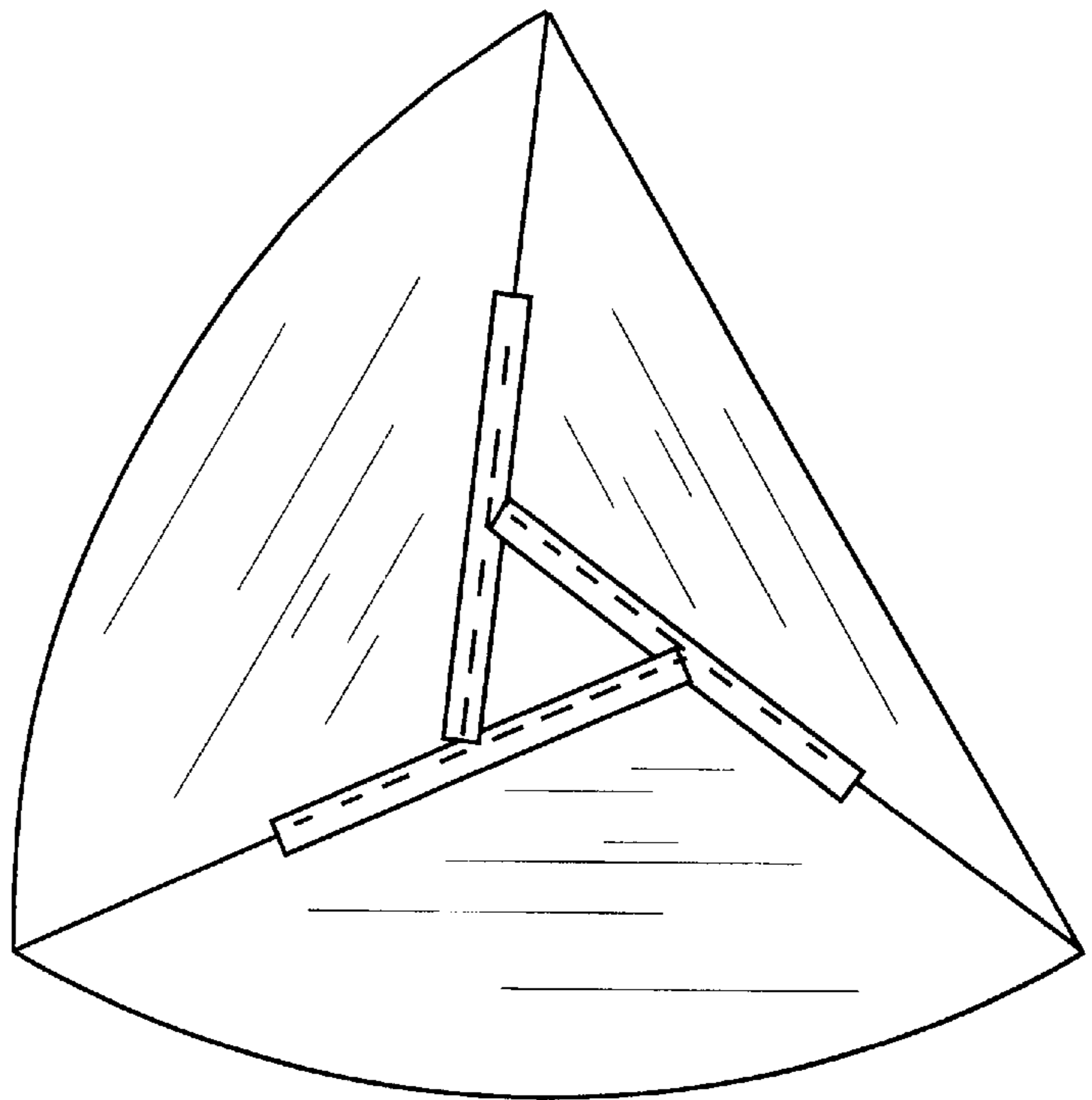


Fig. 13

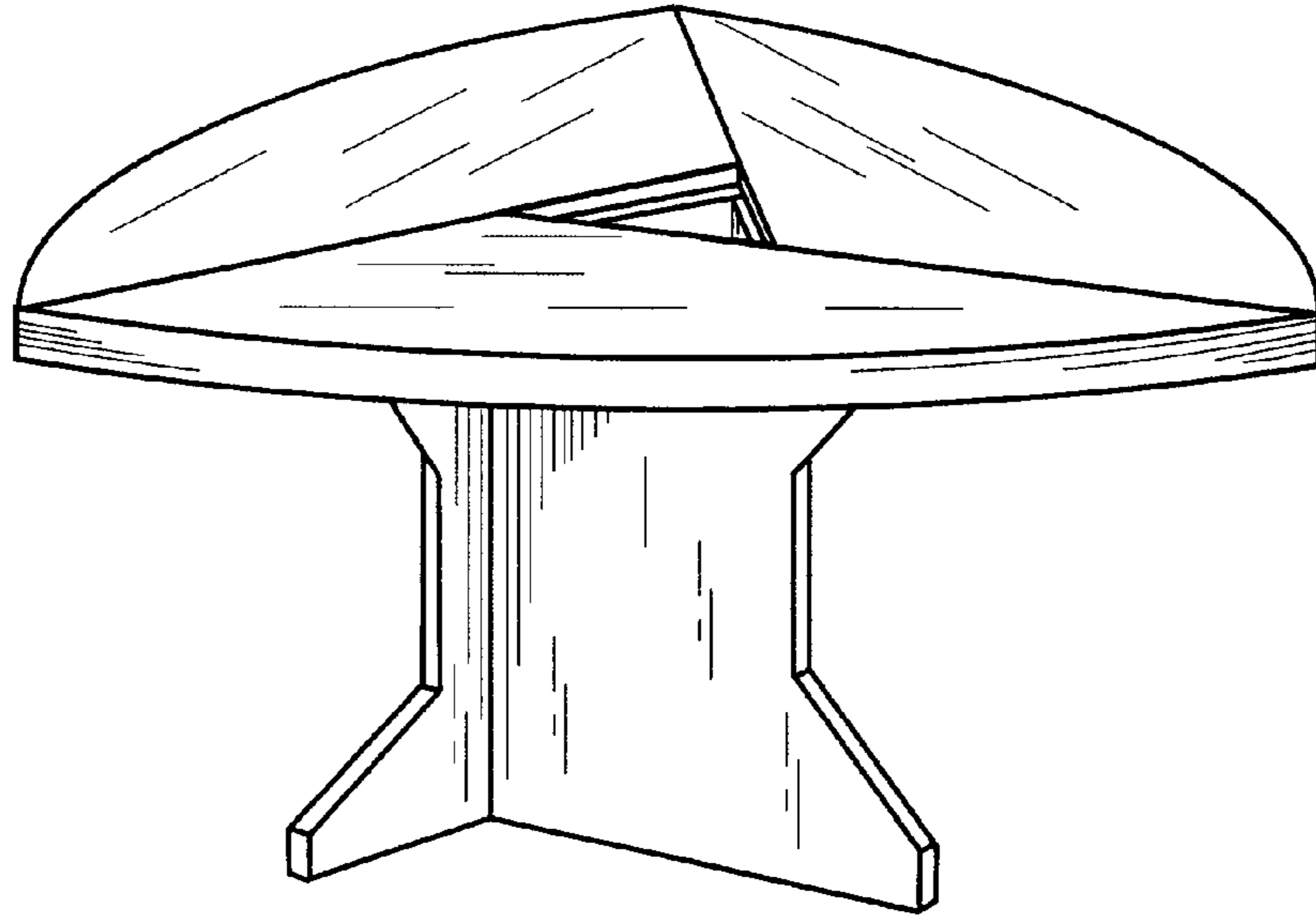


Fig. 14

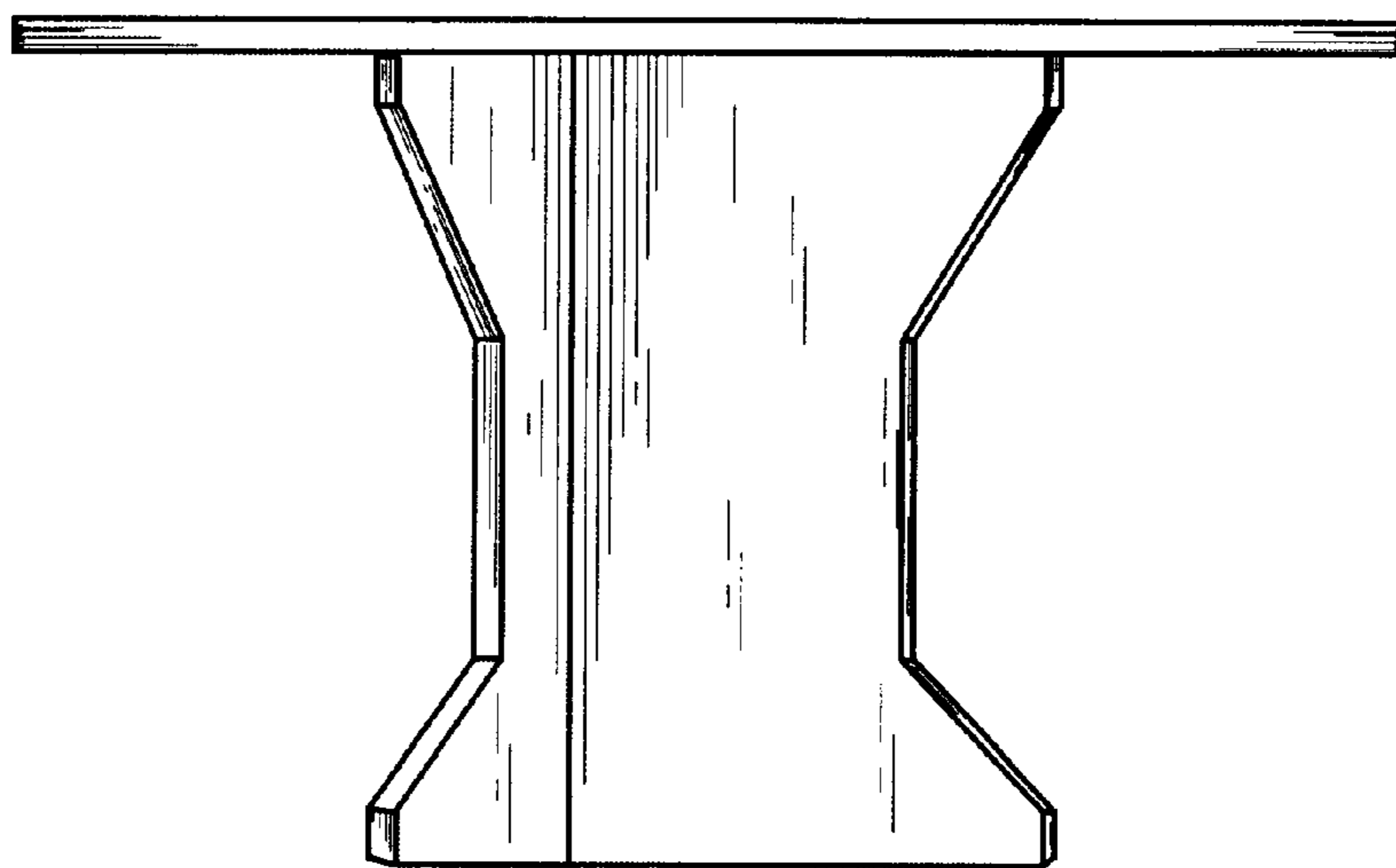


Fig. 15

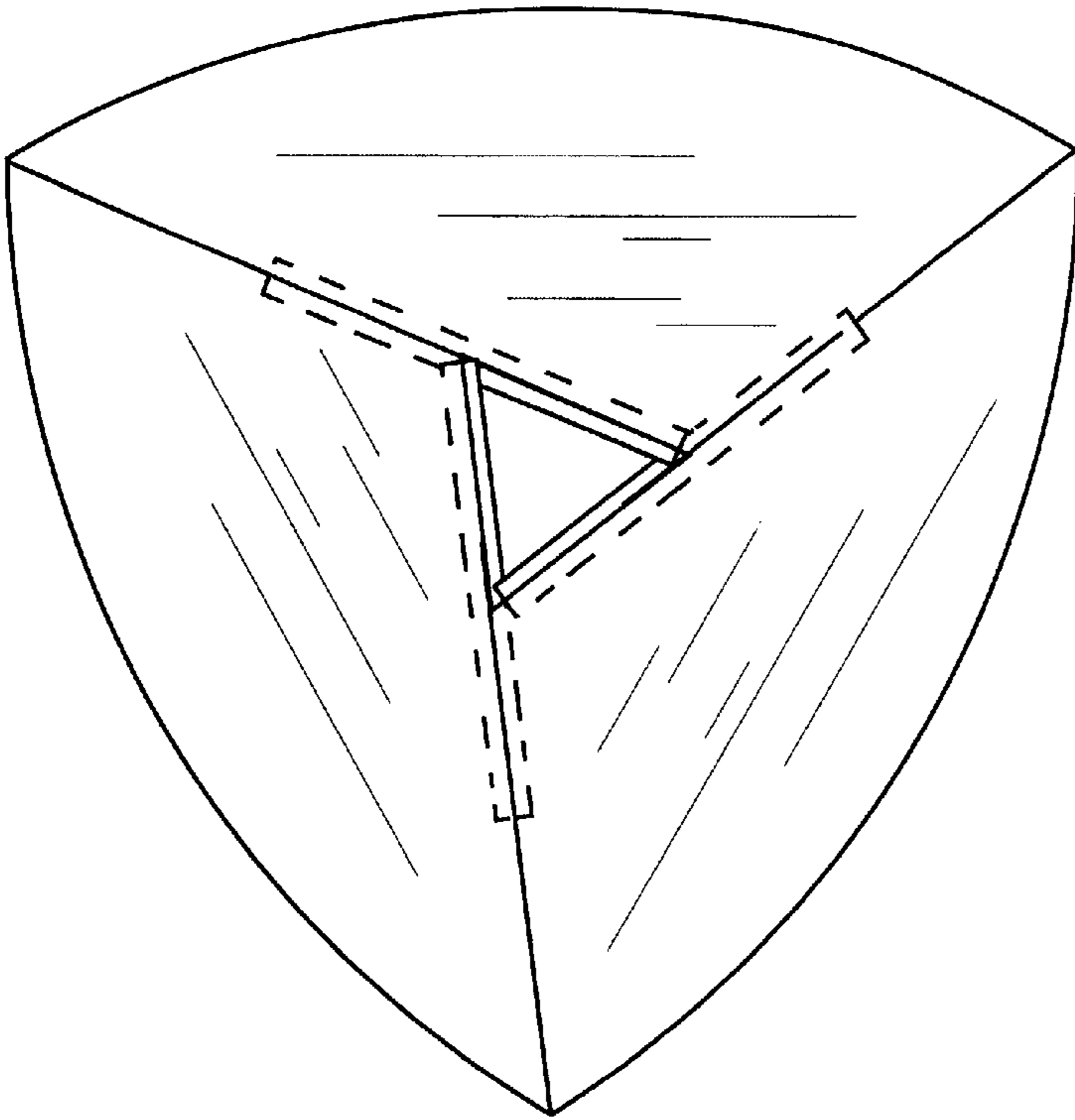


Fig. 16

