



US00D437499S

(12) **United States Design Patent**  
**Tseng**

(10) **Patent No.:** **US D437,499 S**

(45) **Date of Patent:** **\*\* Feb. 13, 2001**

(54) **CHAIR**

D. 409,022 \* 5/1999 Vanderwood et al. .... D6/500  
D. 416,716 \* 11/1999 Ginat ..... D6/500

(75) Inventor: **Chuen-Jong Tseng, Chiayi Hsien (TW)**

**OTHER PUBLICATIONS**

(73) Assignee: **Shin Yeh Enterprise Co., Ltd., Chiayi Hsien (TW)**

Charcoal, 51D953 Dura High-Back Chair, p. 61, Lizell winter catalog, 1998.\*

(\*\*) Term: **14 Years**

\* cited by examiner

(21) Appl. No.: **29/122,572**

*Primary Examiner*—Doris V. Coles

*Assistant Examiner*—Mimosa De

(22) Filed: **Apr. 28, 2000**

(74) *Attorney, Agent, or Firm*—Ladas & Parry

(51) **LOC (7) Cl.** ..... **06-01**

(57) **CLAIM**

(52) **U.S. Cl.** ..... **D6/366**

The ornamental design for chair, as shown and described.

(58) **Field of Search** ..... D6/334, 364, 365,  
D6/366, 367, 379, 380, 500, 501, 502;  
297/411.2, 411.27, 411.28, 411.44, 452.1,  
452.29

**DESCRIPTION**

(56) **References Cited**

**U.S. PATENT DOCUMENTS**

- D. 337,666 \* 7/1993 Peterson et al. .... D6/366
- D. 369,687 \* 5/1996 Hafner et al. .... D6/366
- D. 369,705 \* 5/1996 George et al. .... D6/500
- D. 374,778 \* 10/1996 Tedesco et al. .... D6/366
- D. 374,779 \* 10/1996 Feldberg ..... D6/366
- D. 402,481 \* 12/1998 Neil ..... D6/366

FIG. 1 is a perspective view of chair showing my new design;

FIG. 2 is a front elevational view thereof;

FIG. 3 is a rear elevational view thereof;

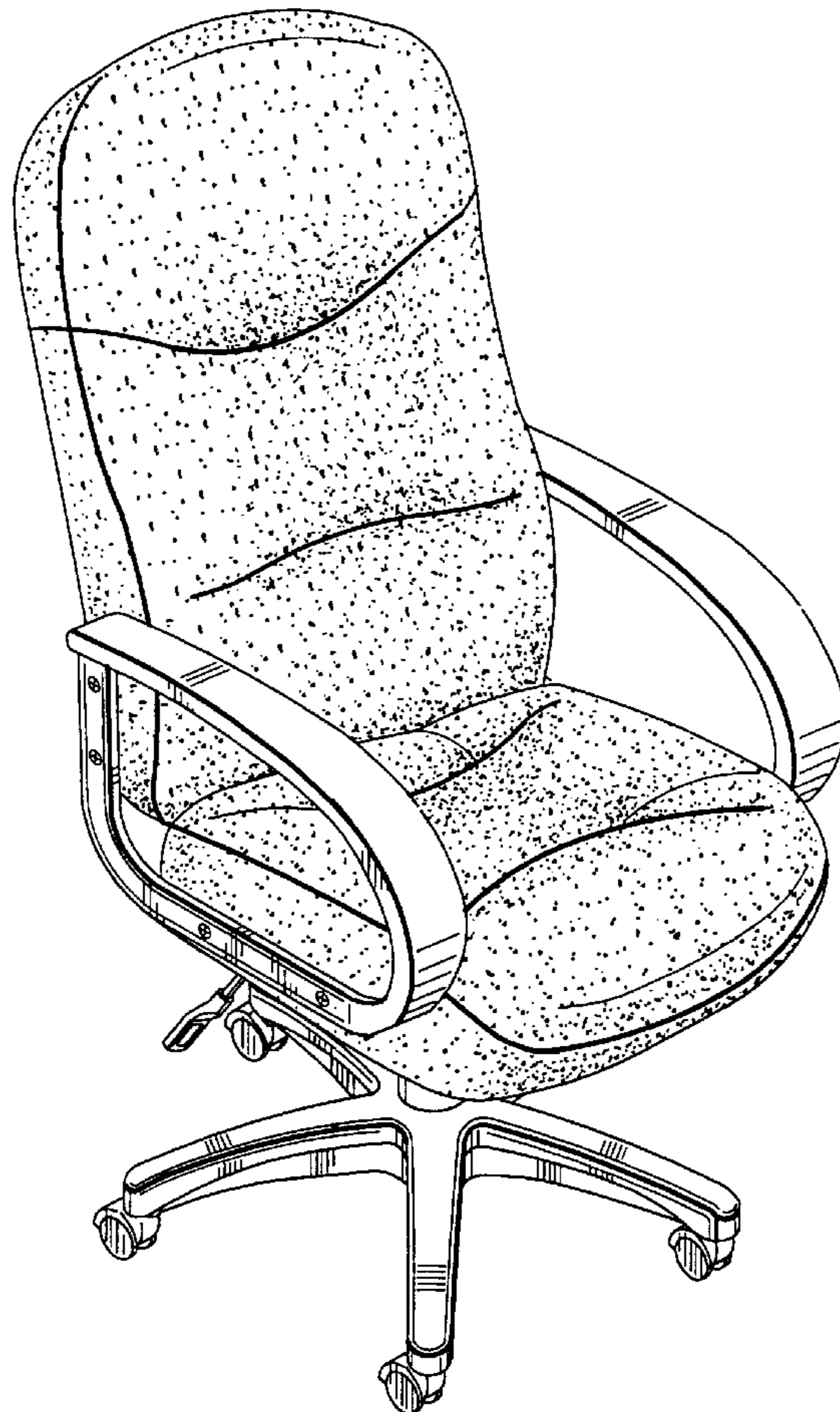
FIG. 4 is a left side elevational view thereof;

FIG. 5 is a right side elevational view thereof;

FIG. 6 is a top plan view thereof; and,

FIG. 7 is a bottom plan view thereof.

**1 Claim, 4 Drawing Sheets**



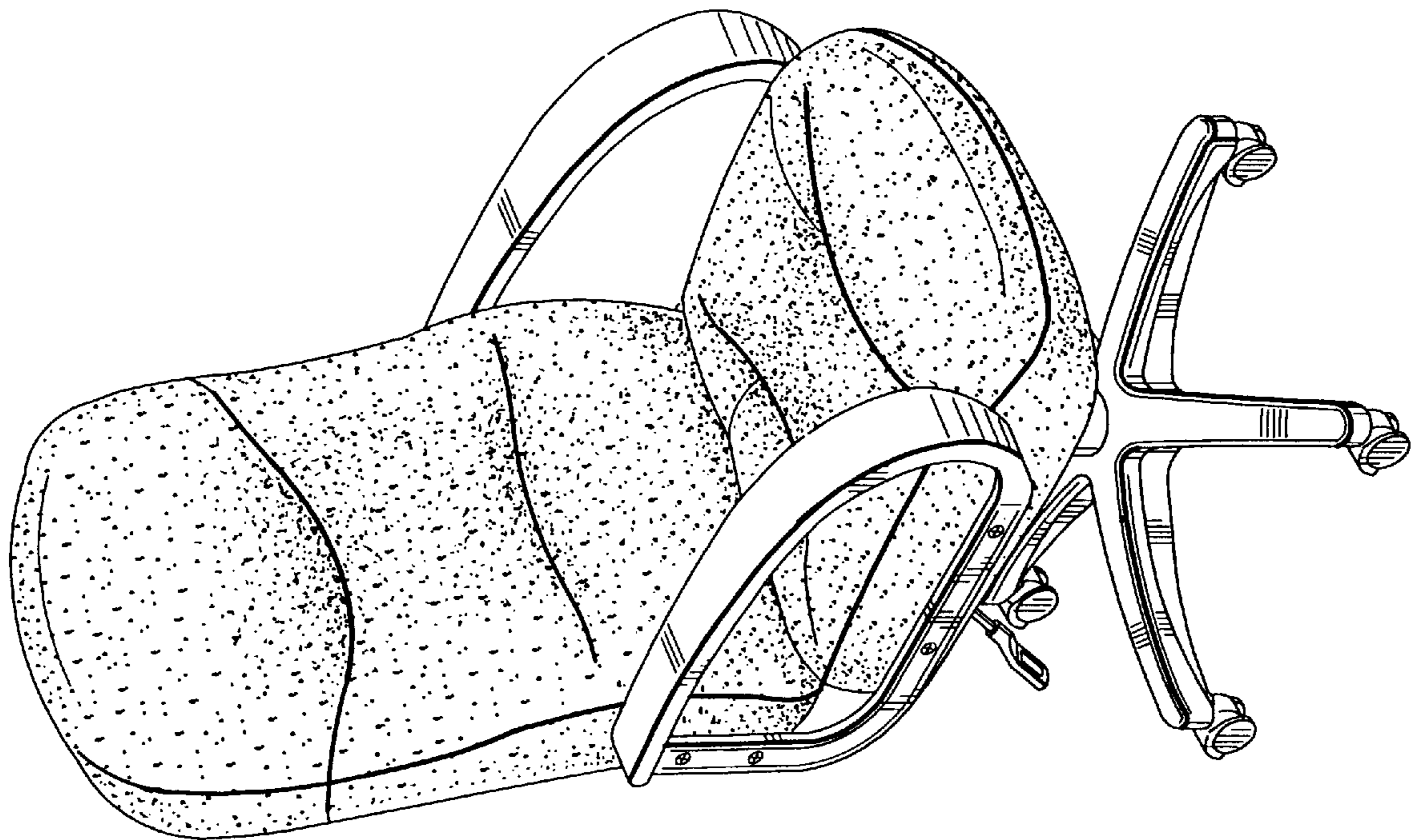


FIG. 1

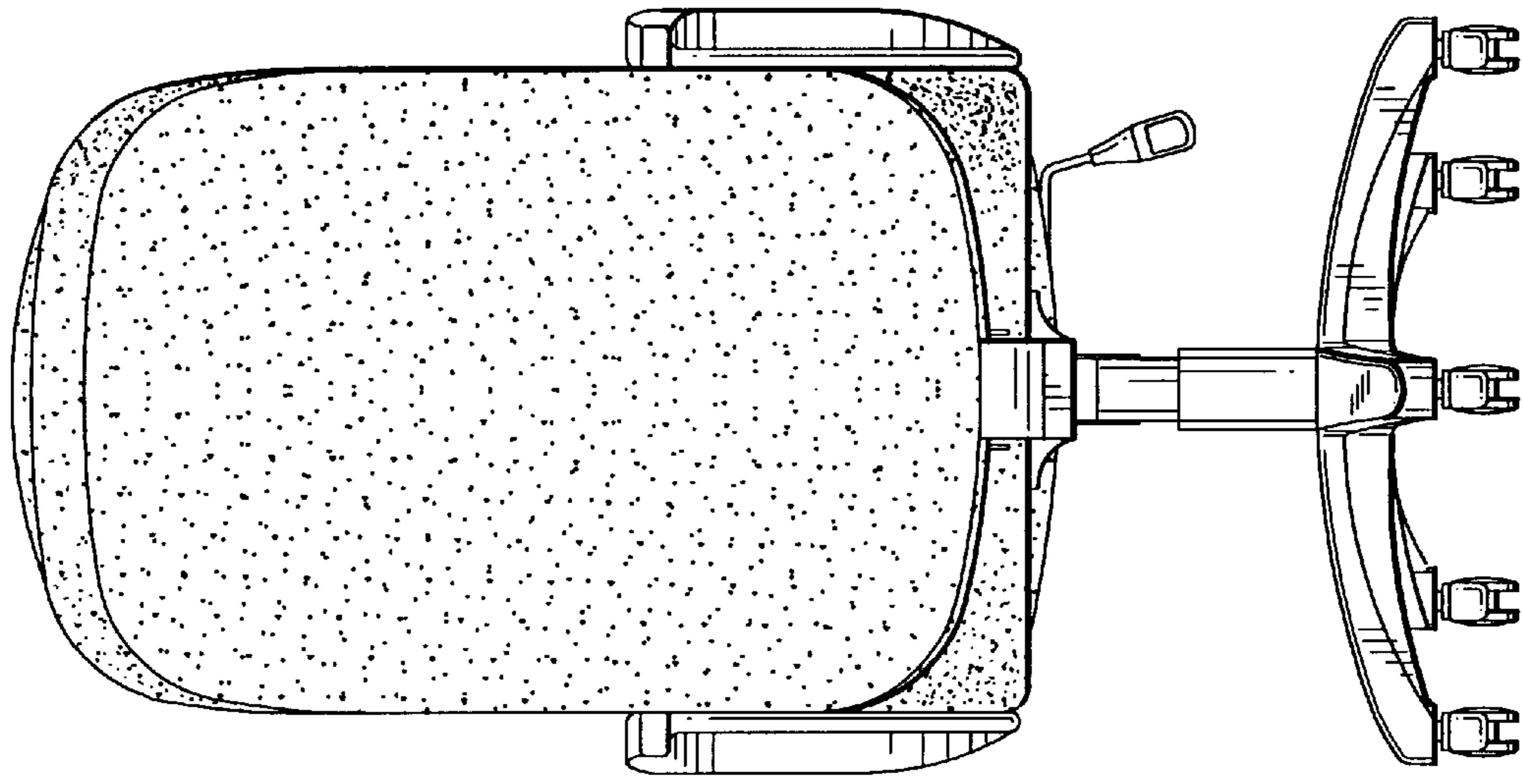


FIG. 3

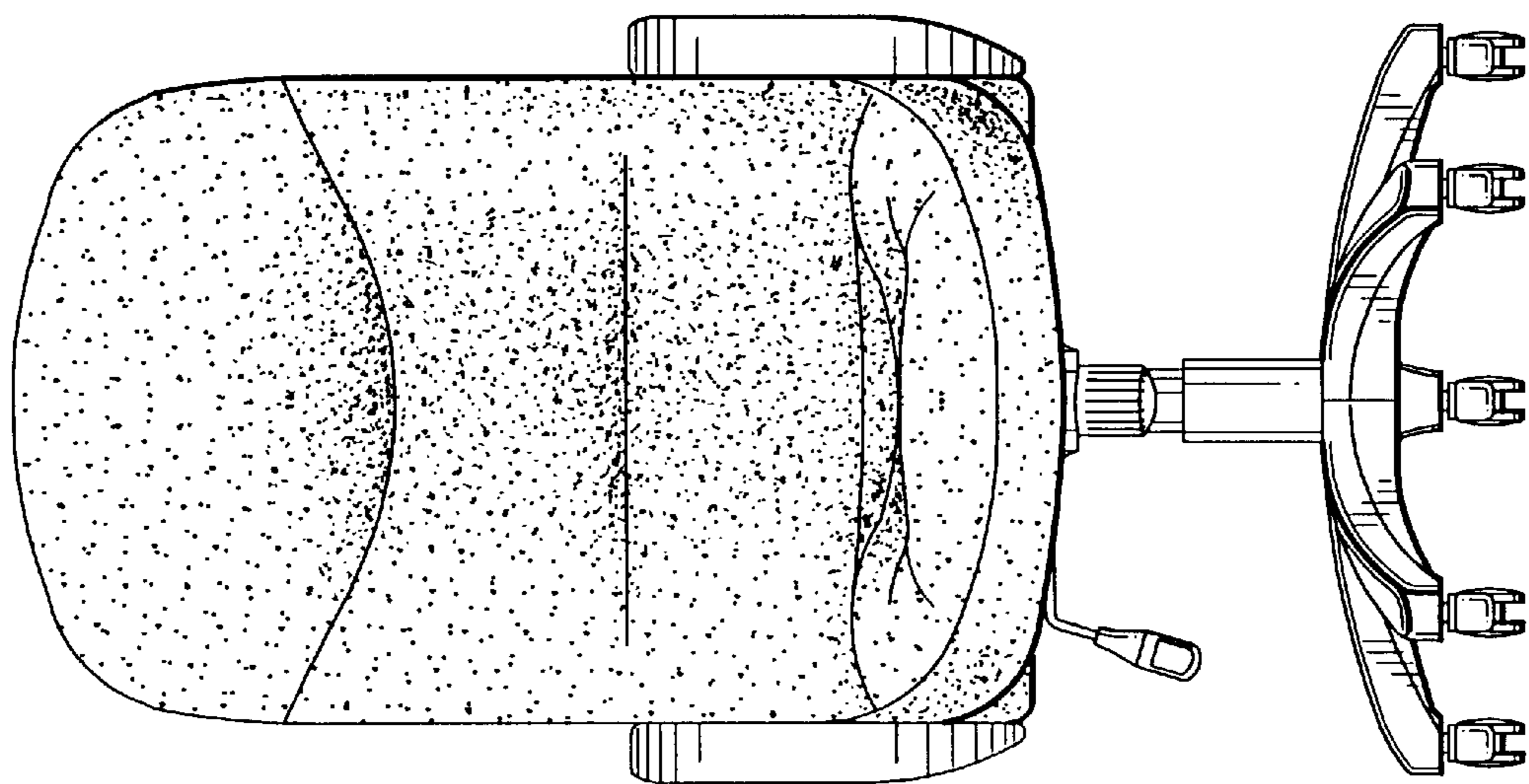


FIG. 2

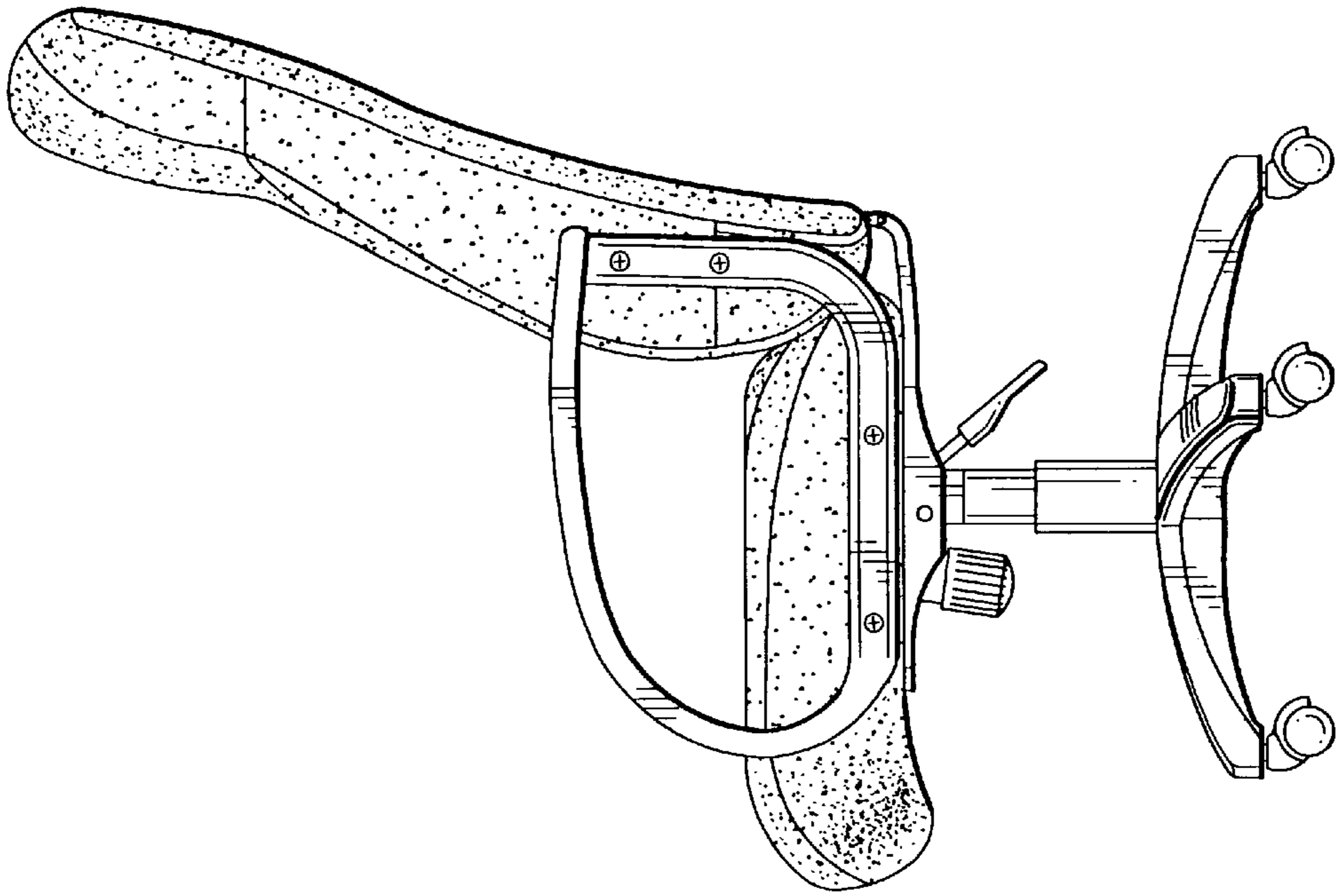


FIG. 5

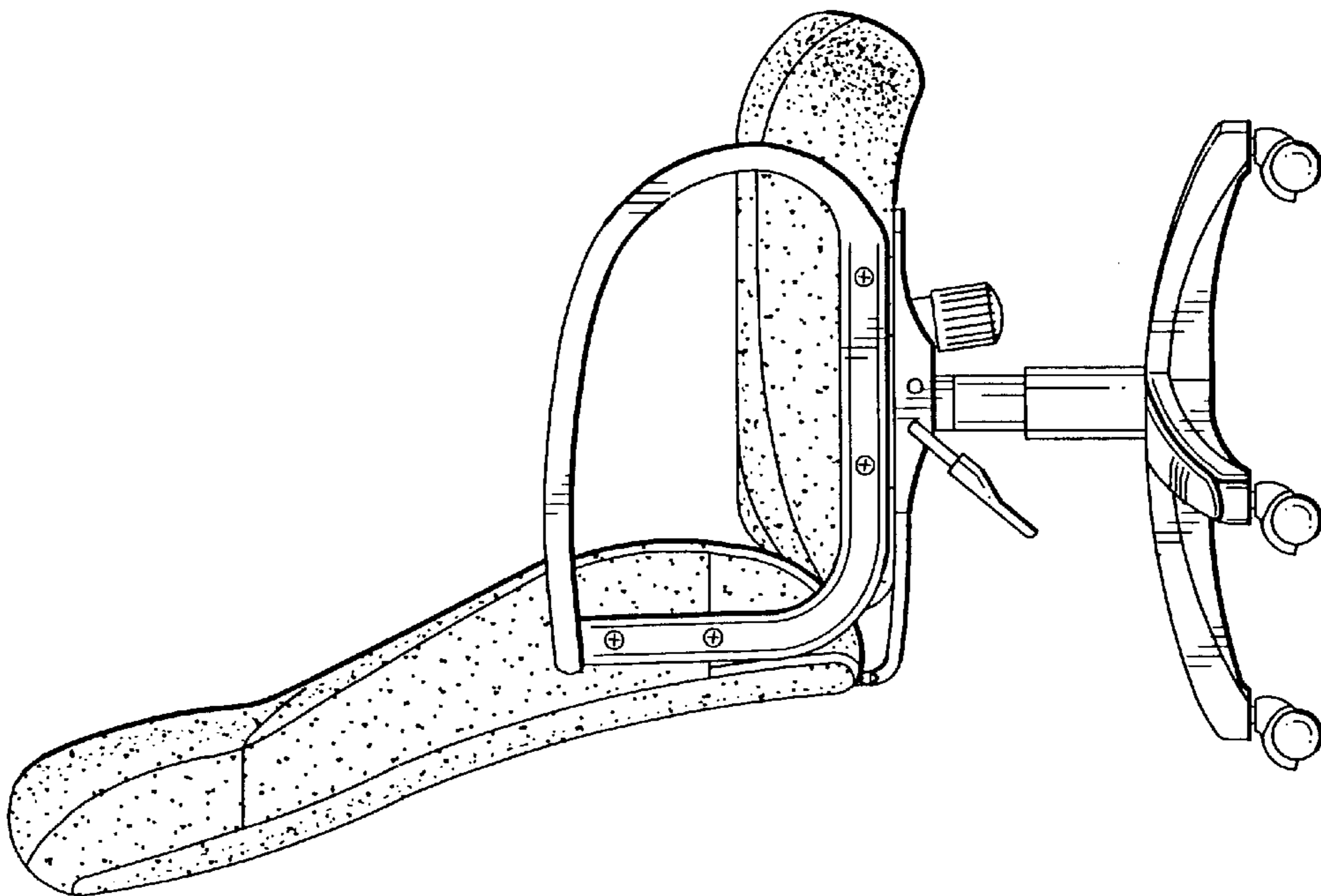


FIG. 4

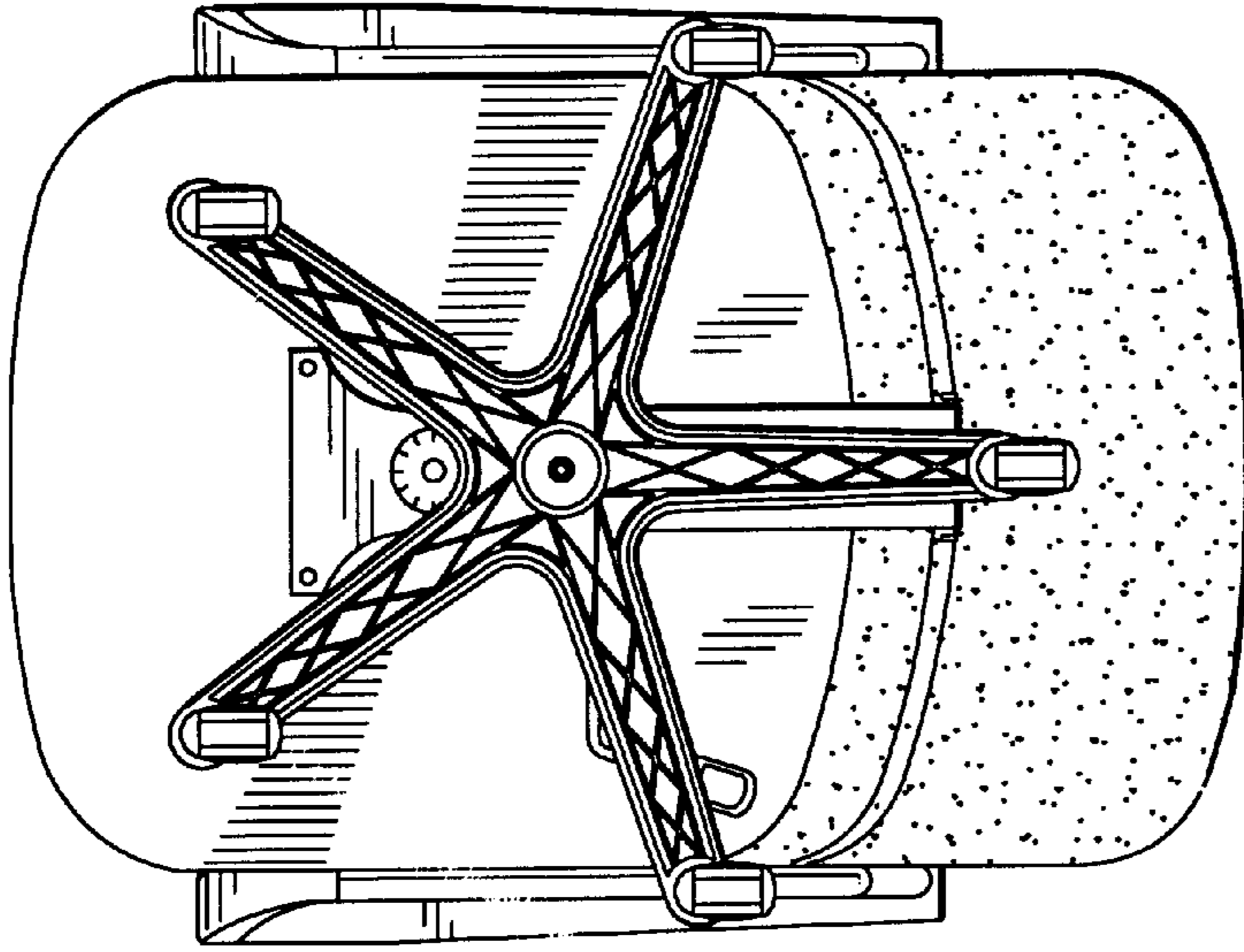


FIG. 7

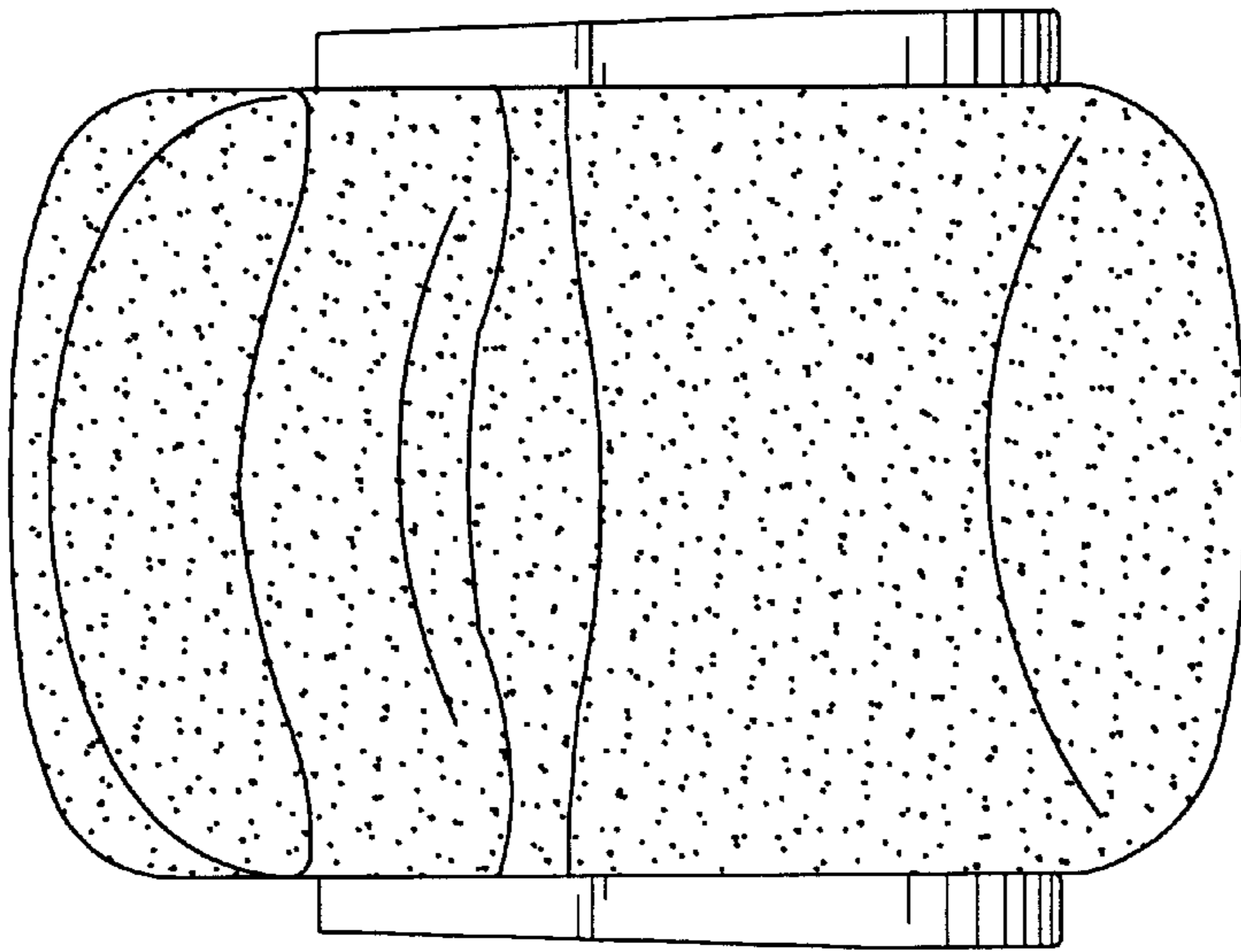


FIG. 6