



US00D437498S

(12) **United States Design Patent**
Hammer

(10) **Patent No.:** **US D437,498 S**

(45) **Date of Patent:** **** Feb. 13, 2001**

(54) **CHAIR**

(75) Inventor: **David Hammer**, Taipei (TW)

(73) Assignee: **Chairworks Taiwan Limited** (CN)

(**) Term: **14 Years**

(21) Appl. No.: **29/118,656**

(22) Filed: **Feb. 11, 2000**

(51) **LOC (7) Cl.** **06-01**

(52) **U.S. Cl.** **D6/366**

(58) **Field of Search** D6/334, 364, 365,
D6/366, 367, 379, 500, 501, 502; 297/411.2,
411.25, 411.28

(56) **References Cited**

U.S. PATENT DOCUMENTS

- D. 382,149 * 8/1997 Pimental et al. D6/500
- D. 383,021 * 9/1997 Lu D6/500
- D. 388,269 * 12/1997 Tedesco et al. D6/501

- D. 403,169 * 12/1998 Tseng D6/366
- D. 403,170 * 12/1998 Tseng D6/366
- D. 408,641 * 4/1999 Tseng D6/366

* cited by examiner

Primary Examiner—Gary D. Watson

(74) *Attorney, Agent, or Firm*—Bierman, Muserlian and Lucas

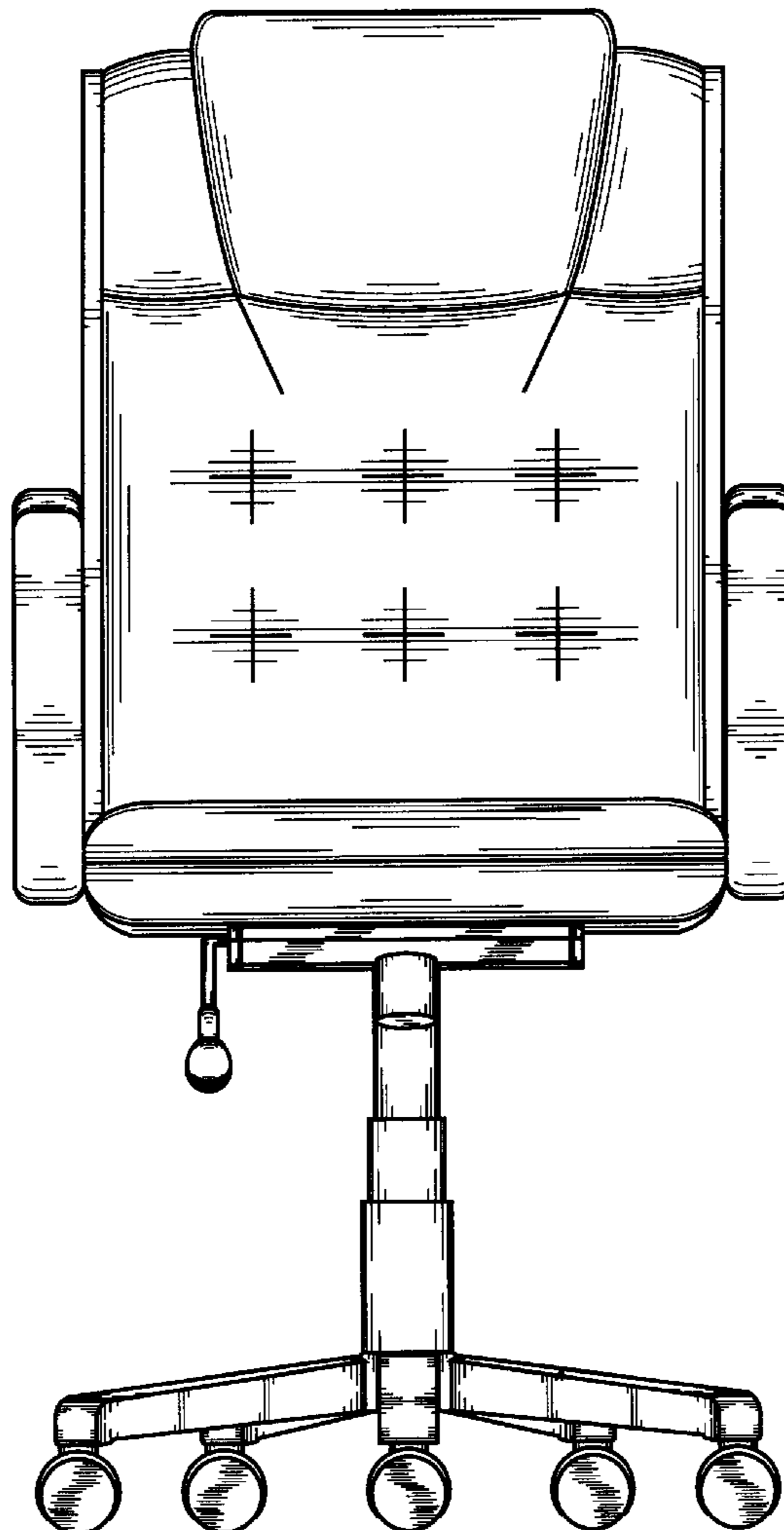
(57) **CLAIM**

The ornamental design for a chair, substantially as shown and described.

DESCRIPTION

FIG. 1 is a front view of my chair design;
FIG. 2 is a back view of my chair design;
FIG. 3 is a top view of my chair design;
FIG. 4 is a bottom view of my chair design;
FIG. 5 is a right-side view of my chair design; and,
FIG. 6 is a left-side view of my chair design.

1 Claim, 5 Drawing Sheets



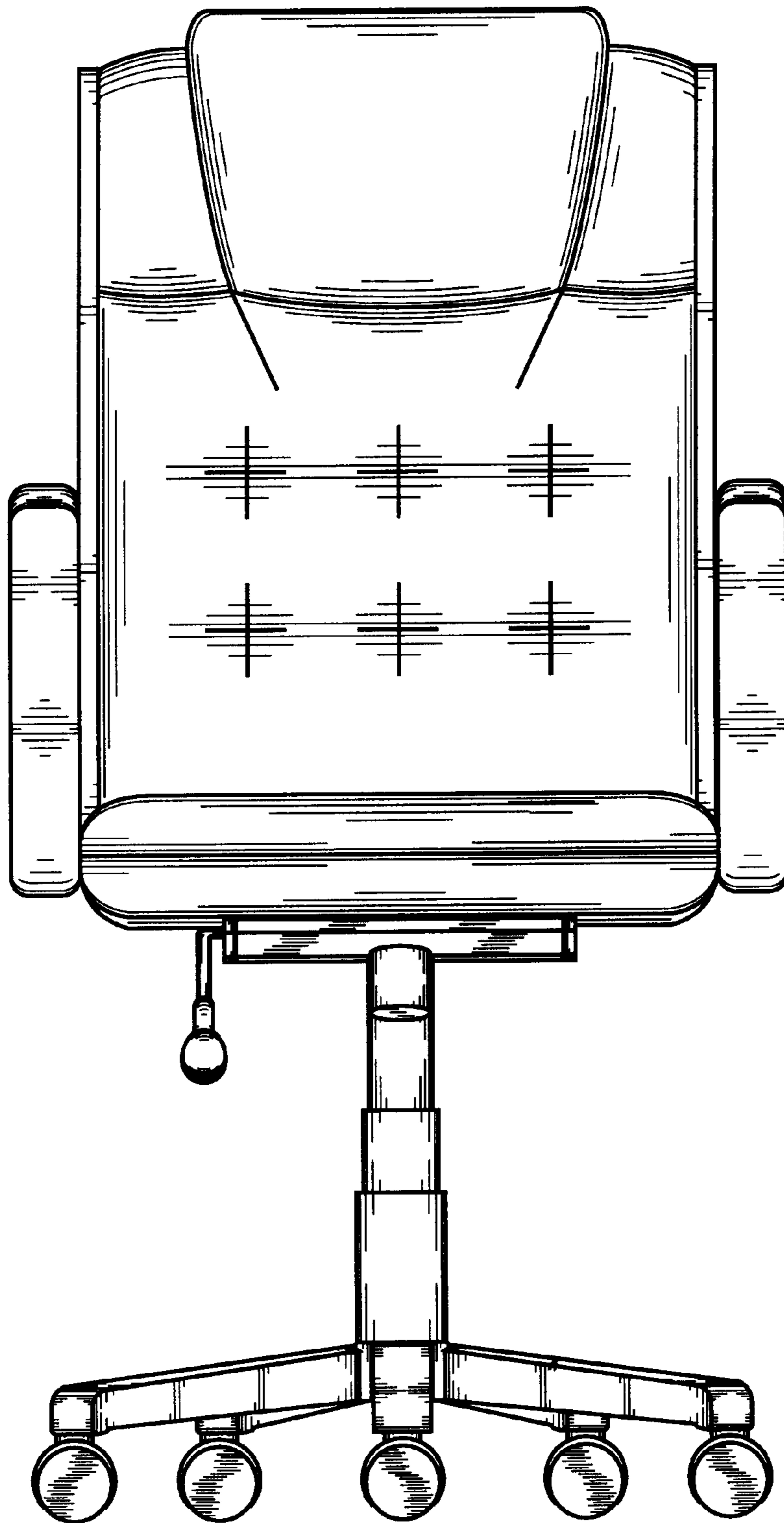


FIG. 1

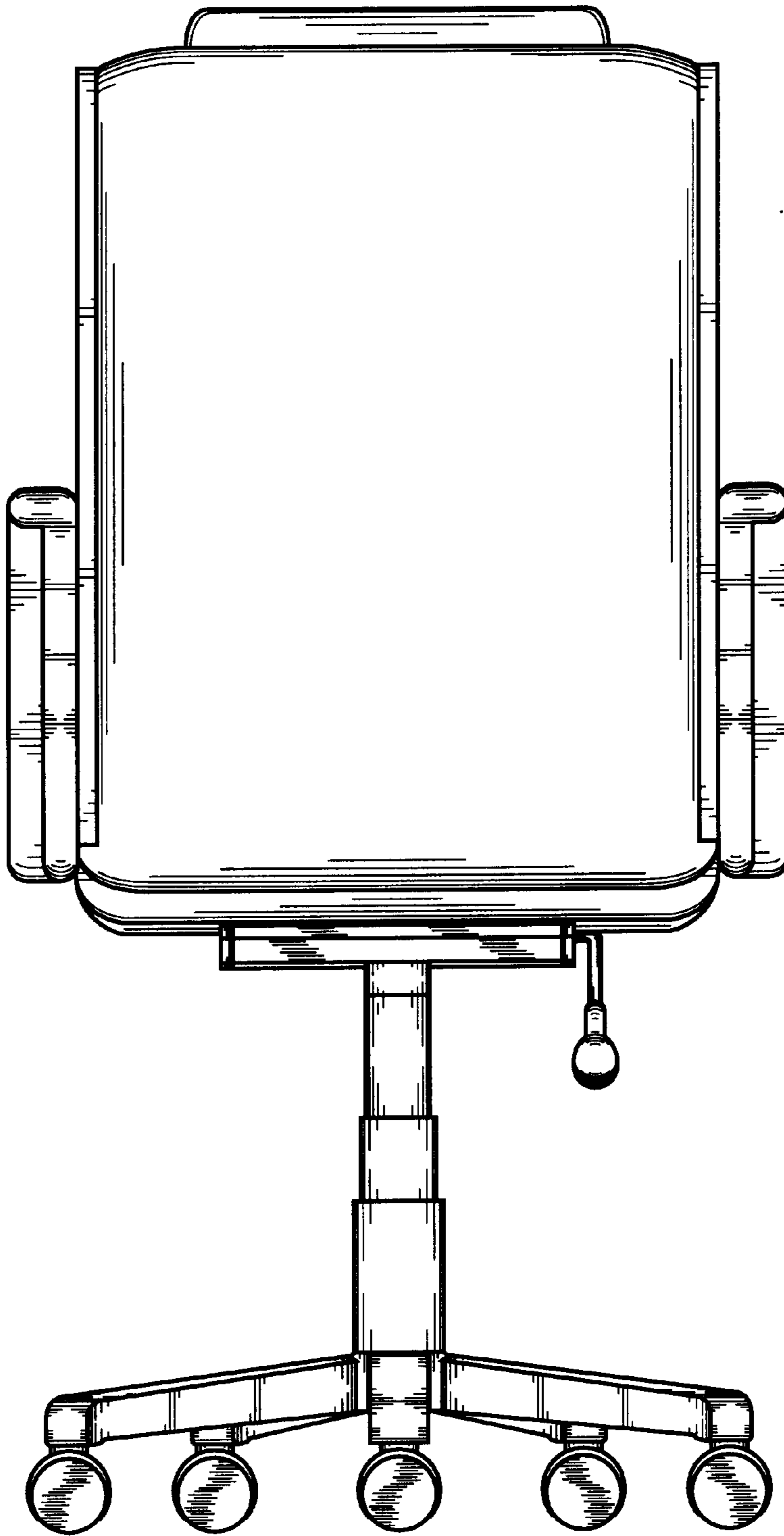


FIG. 2

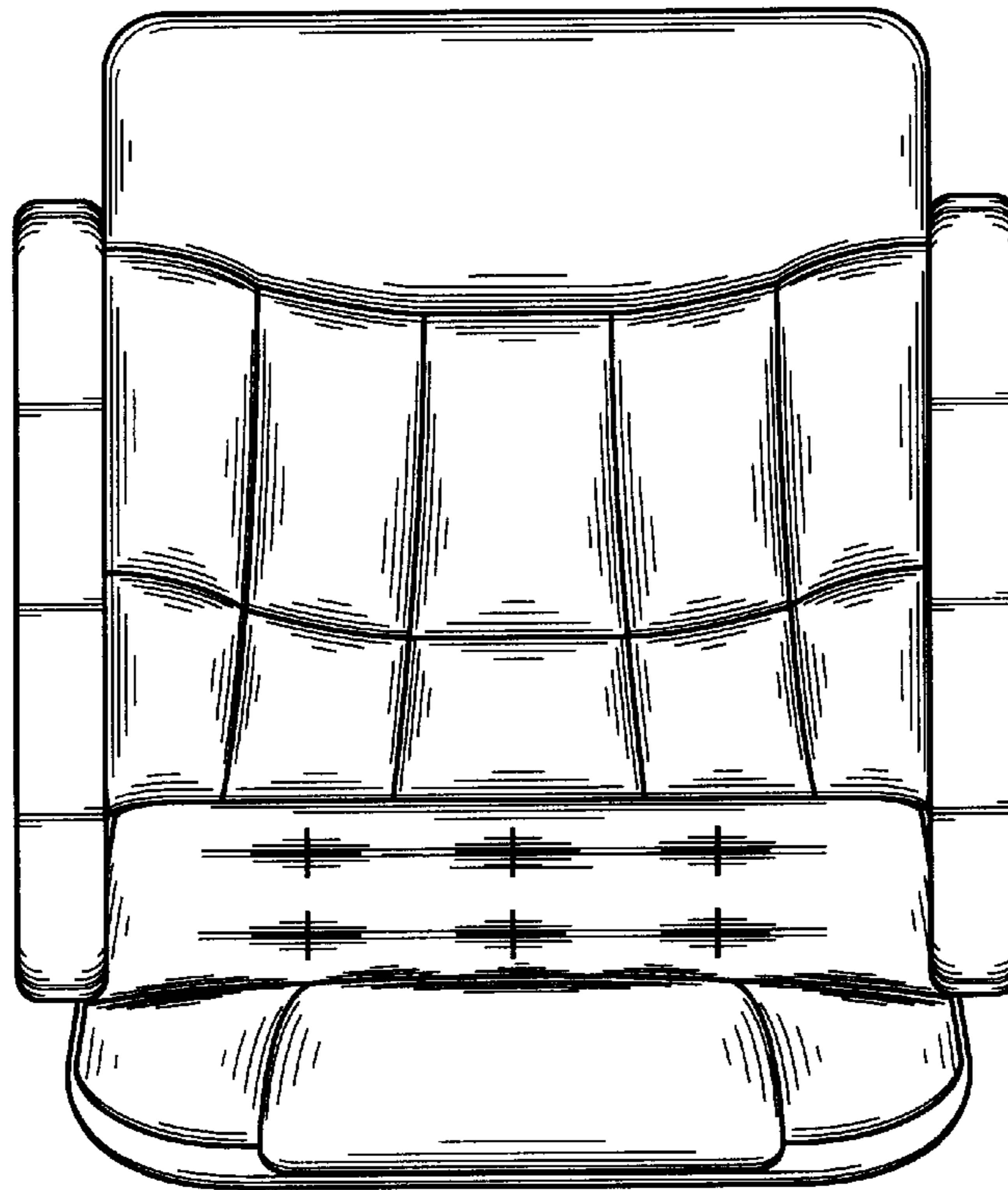


FIG. 3

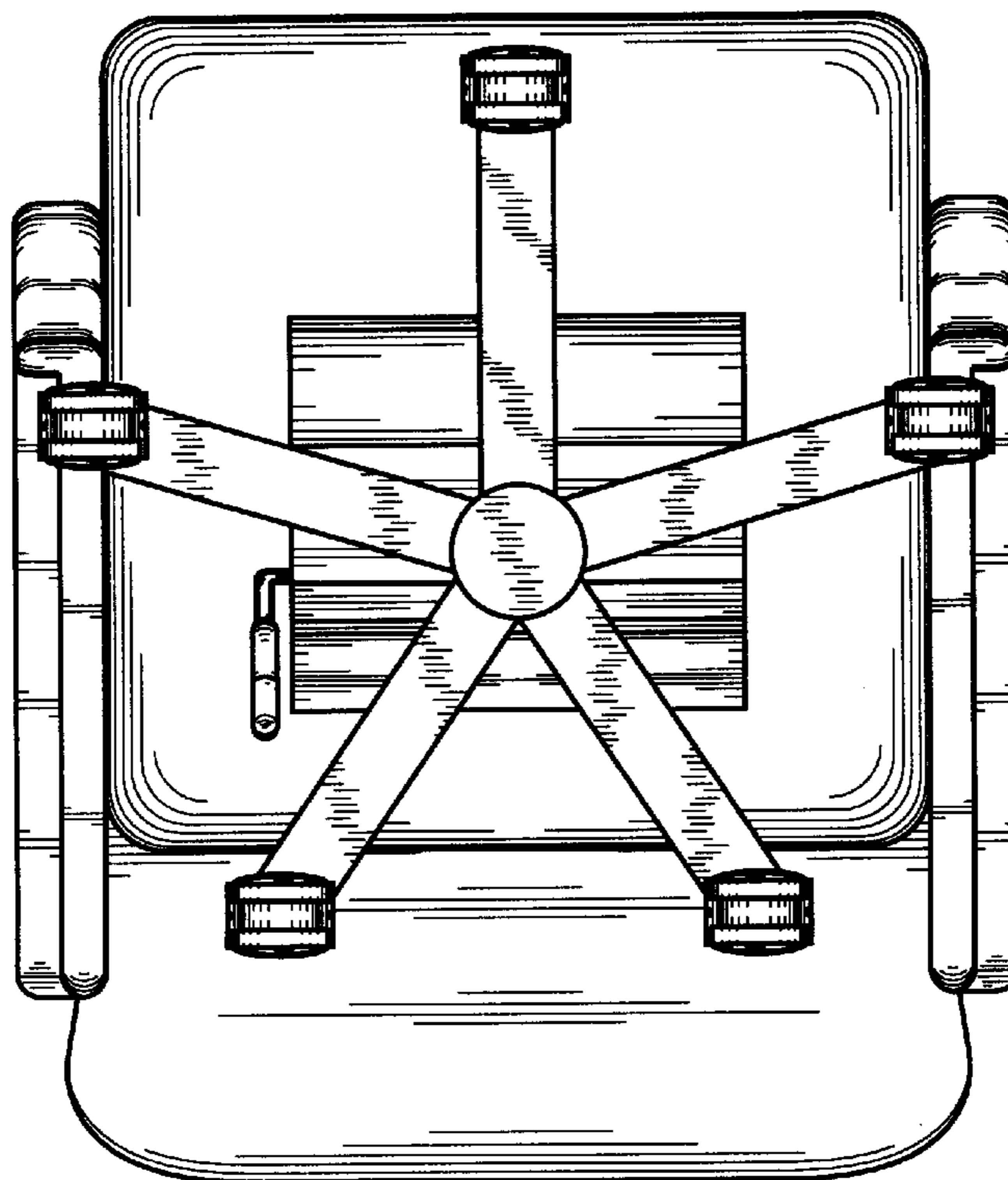


FIG. 4

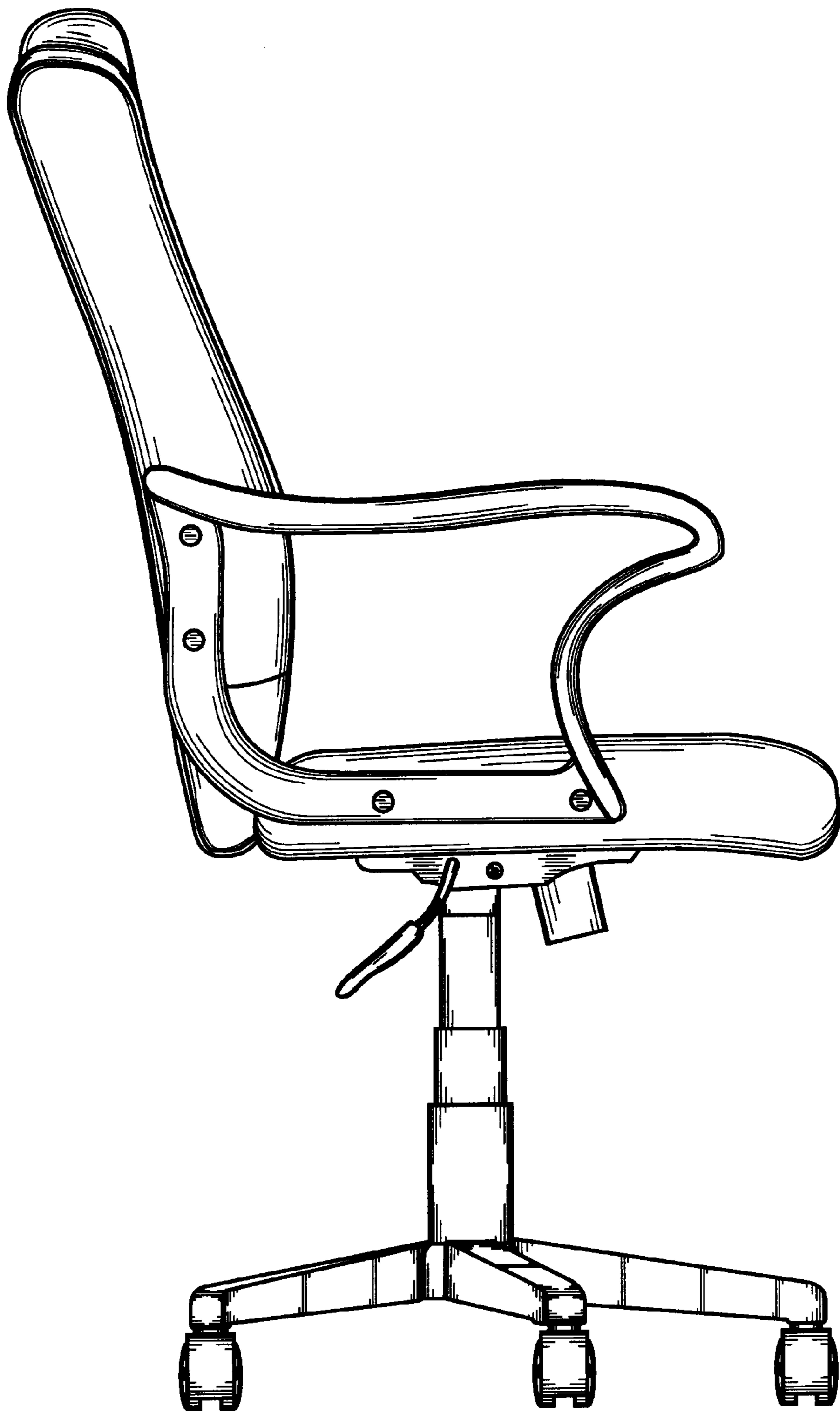


FIG. 5

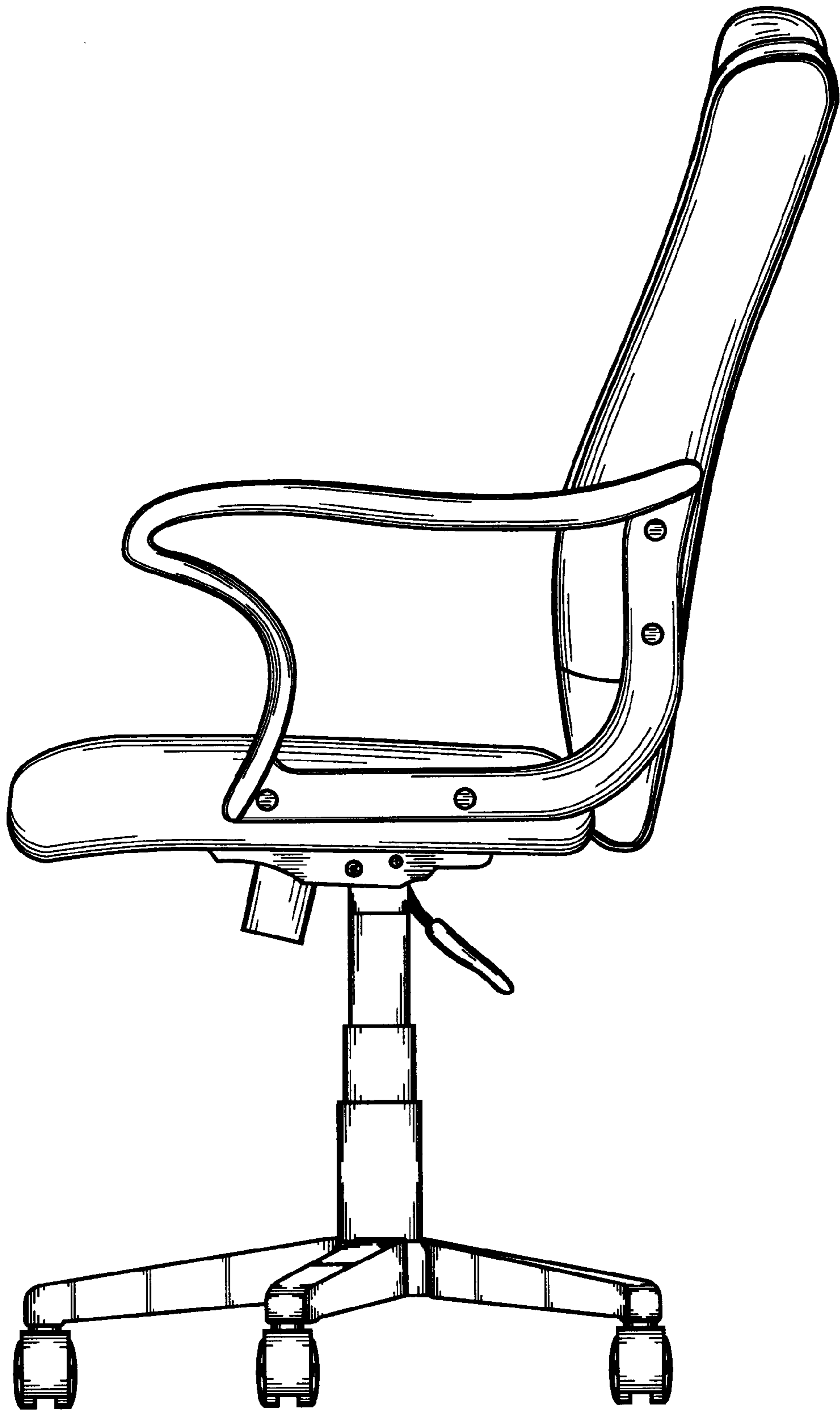


FIG. 6