



US00D437497S

(12) **United States Design Patent**  
**Bräuning**

(10) **Patent No.:** **US D437,497 S**

(45) **Date of Patent:** **\*\* Feb. 13, 2001**

(54) **CHAIR**

(75) Inventor: **Egon Bräuning**, Weil am Rhein (DE)

(73) Assignee: **Vitra Patente AG**, MuttENZ (CH)

(\*\*) Term: **14 Years**

(21) Appl. No.: **29/103,636**

(22) Filed: **Apr. 19, 1999**

(30) **Foreign Application Priority Data**

Oct. 21, 1998 (XH) ..... DM/045 540

(51) **LOC (7) Cl.** ..... **06-01**

(52) **U.S. Cl.** ..... **D6/366**

(58) **Field of Search** ..... D6/334, 335, 364,  
D6/365, 366, 367, 500, 501, 502; 297/411.2,  
411.27, 411.36

(56) **References Cited**

**U.S. PATENT DOCUMENTS**

- D. 327,781 7/1992 Citterio .
- D. 327,782 7/1992 Citterio .
- D. 345,060 3/1994 Duncan .
- D. 372,595 8/1996 Schultz et al. .

- D. 381,525 \* 7/1997 James ..... D6/366
- D. 390,712 \* 2/1998 Koepke et al. .... D6/366
- D. 394,961 \* 6/1998 Fancelli ..... D6/366
- D. 407,576 \* 4/1999 Ritch et al. .... D6/500
- D. 407,911 4/1999 Bräuning .
- D. 410,799 6/1999 Meda .
- D. 417,101 \* 11/1999 DeSanta et al. .... D6/500
- D. 417,793 \* 12/1999 Ritch et al. .... D6/366

\* cited by examiner

*Primary Examiner*—Gary D. Watson

(74) *Attorney, Agent, or Firm*—Selitto & Associates

(57) **CLAIM**

The ornamental design for a chair, as shown and described.

**DESCRIPTION**

FIG. 1 is a front perspective view of a chair showing my new design;  
 FIG. 2 is a front elevational view thereof;  
 FIG. 3 is a rear elevational view thereof;  
 FIG. 4 is a left side elevational view, the right side elevational view being a mirror image thereof;  
 FIG. 5 is a top plan view thereof; and,  
 FIG. 6 is a bottom plan view thereof.

**1 Claim, 3 Drawing Sheets**

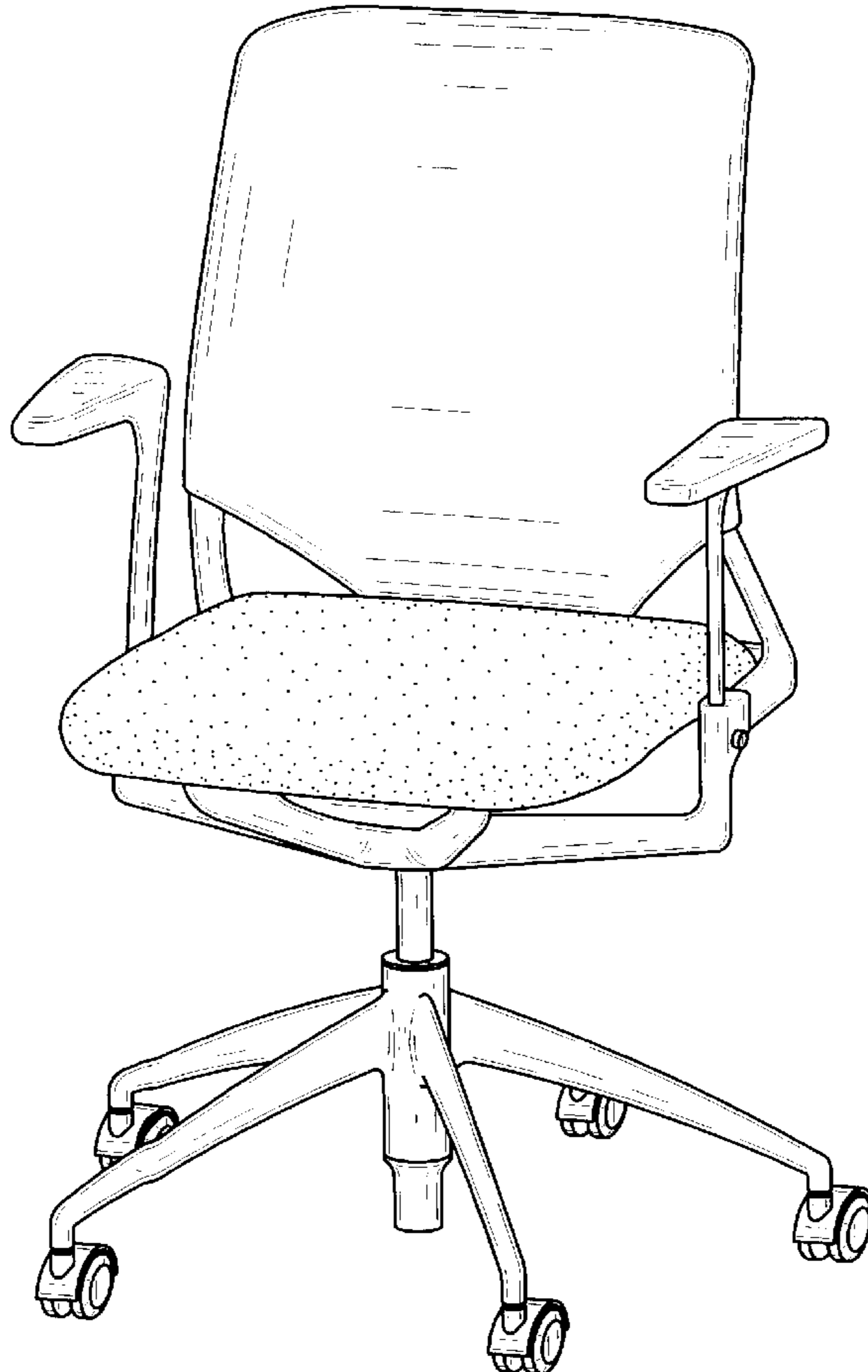


FIG. 2

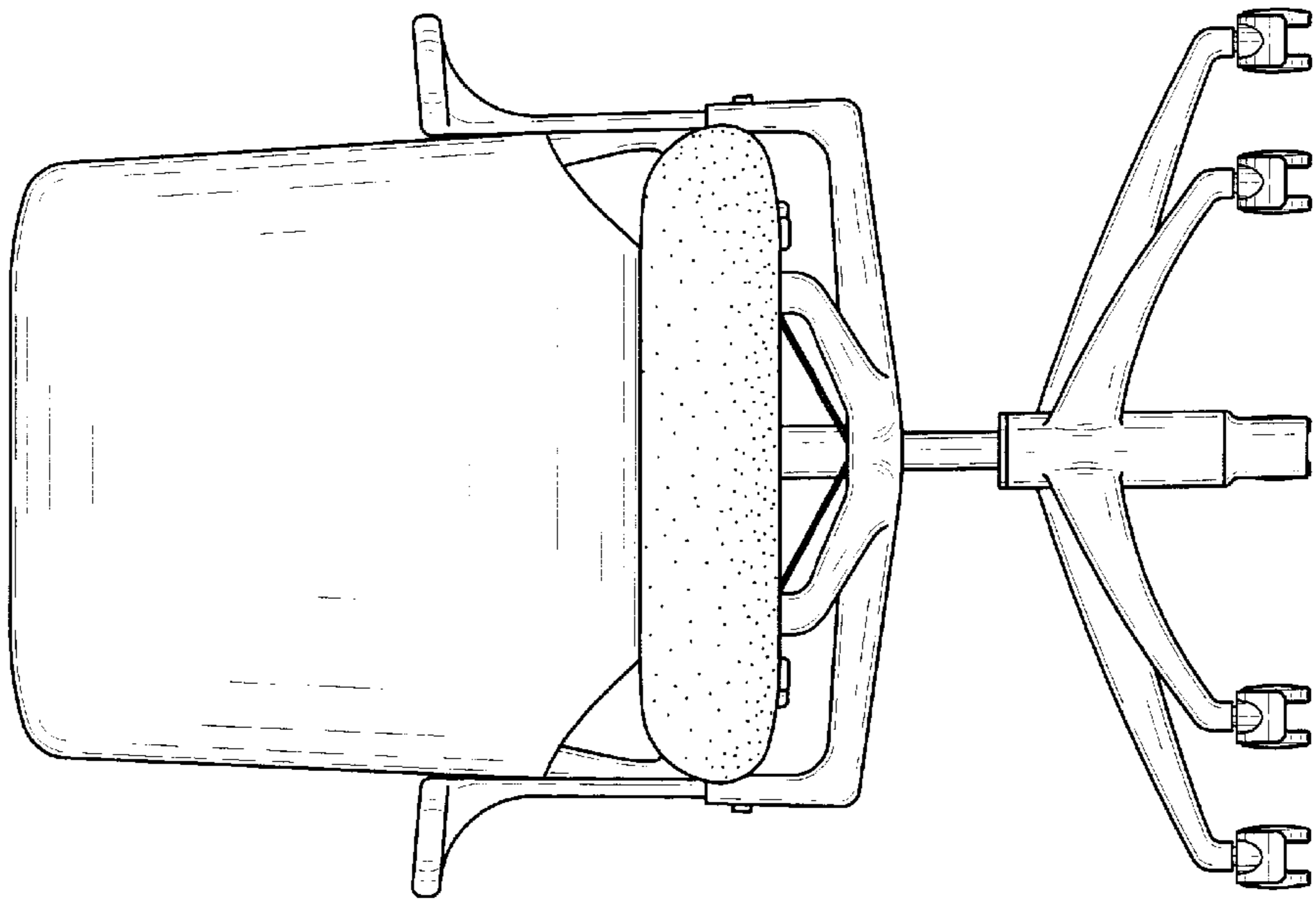


FIG. 1

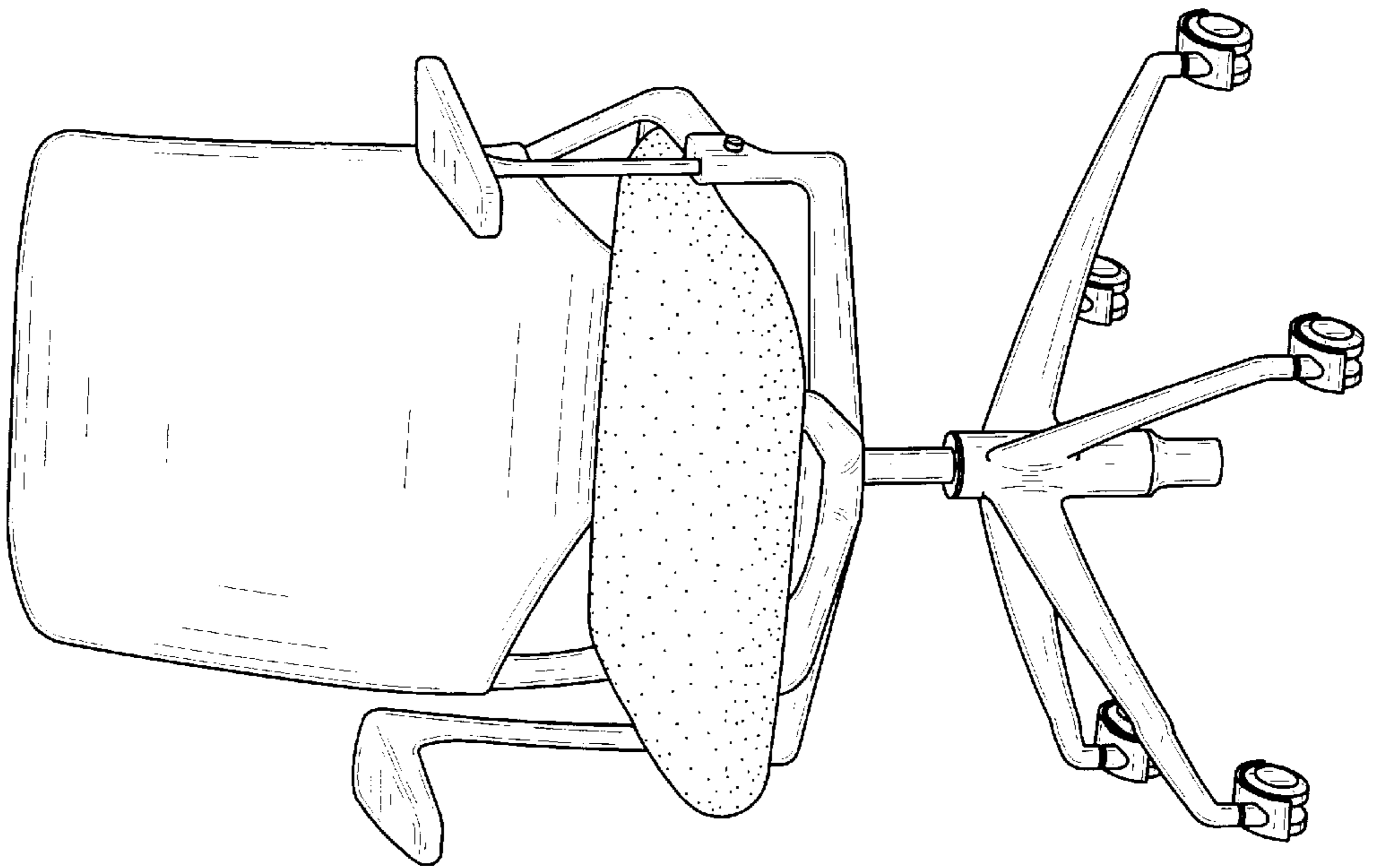


FIG. 4

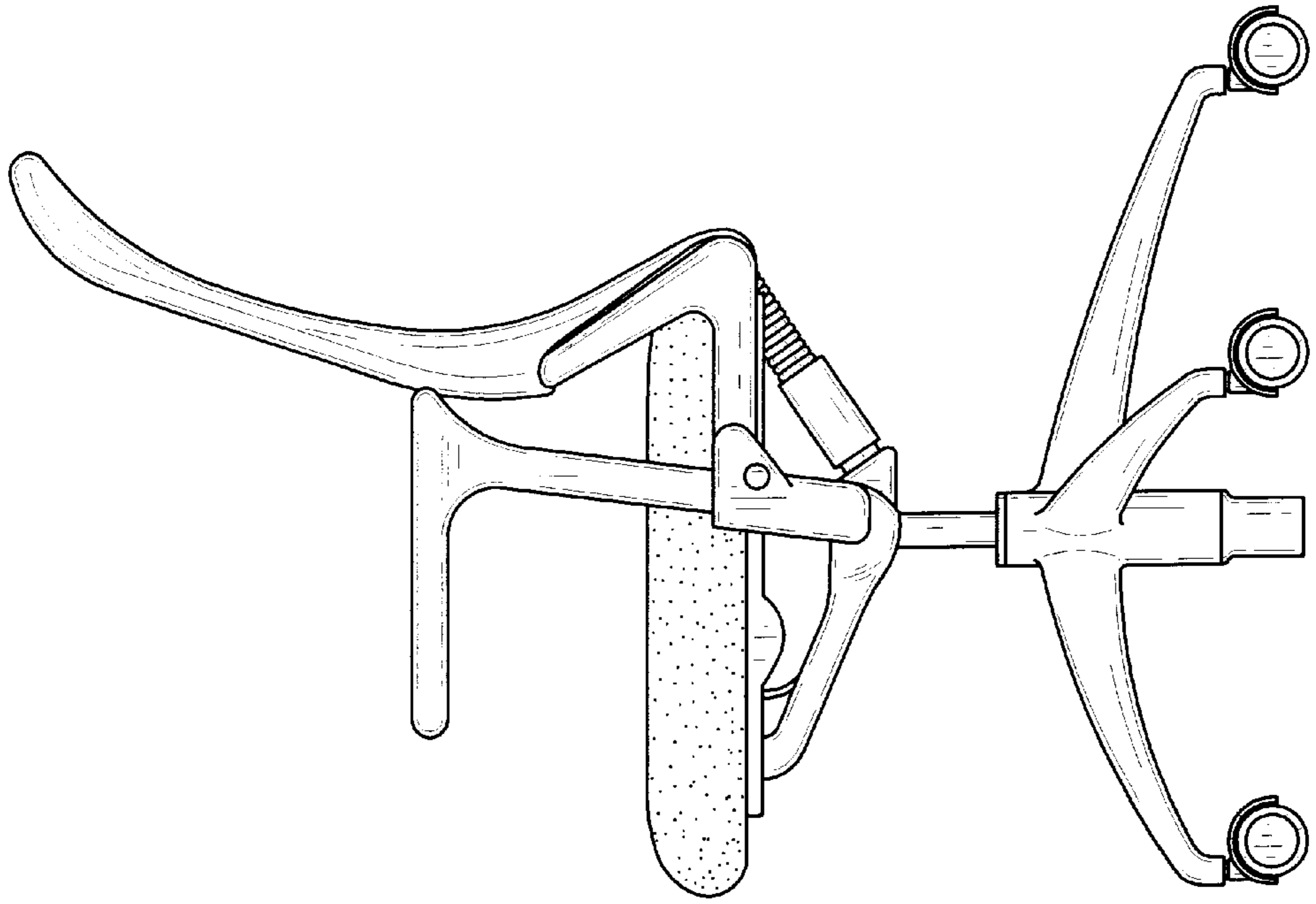


FIG. 3

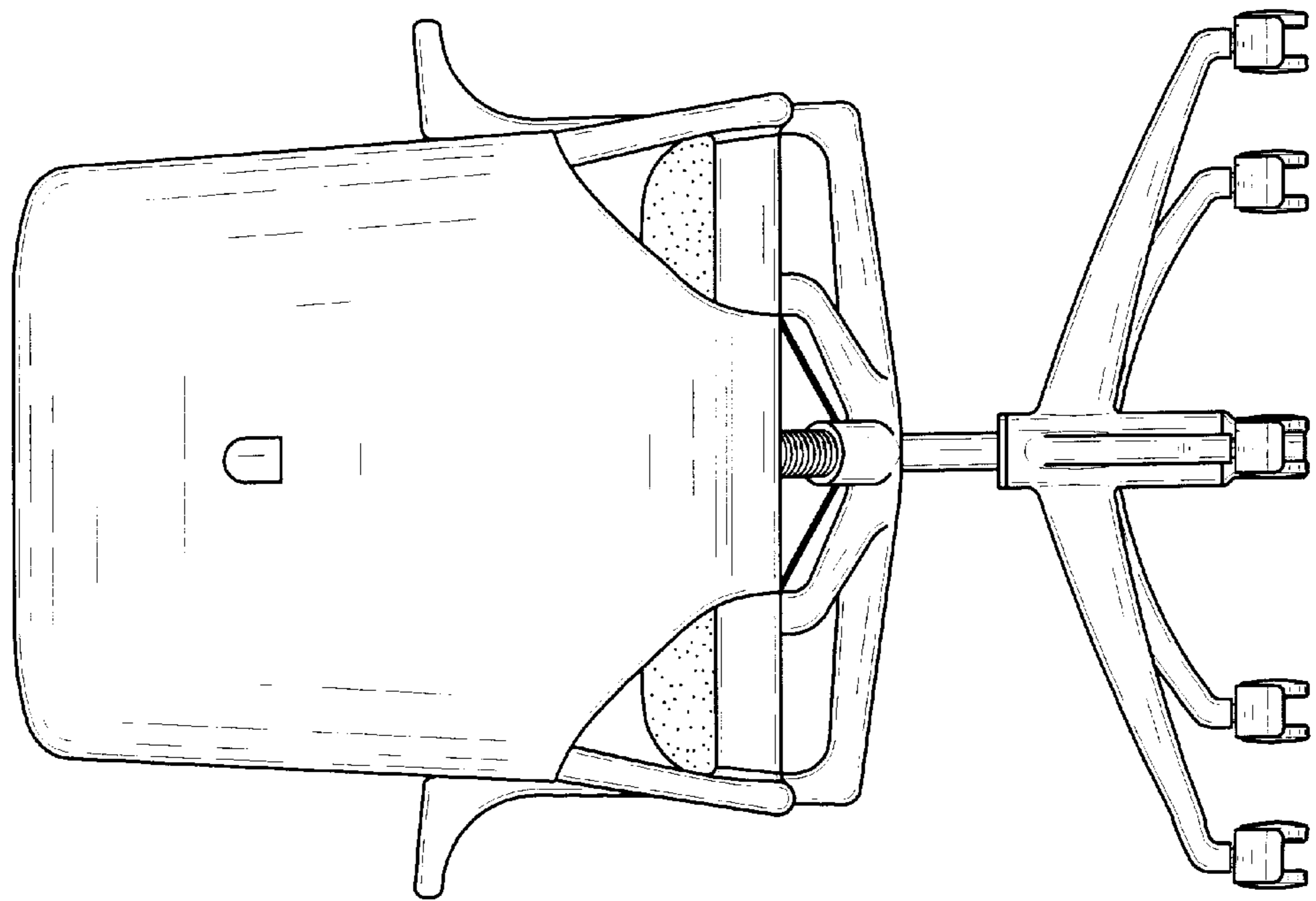


FIG. 6

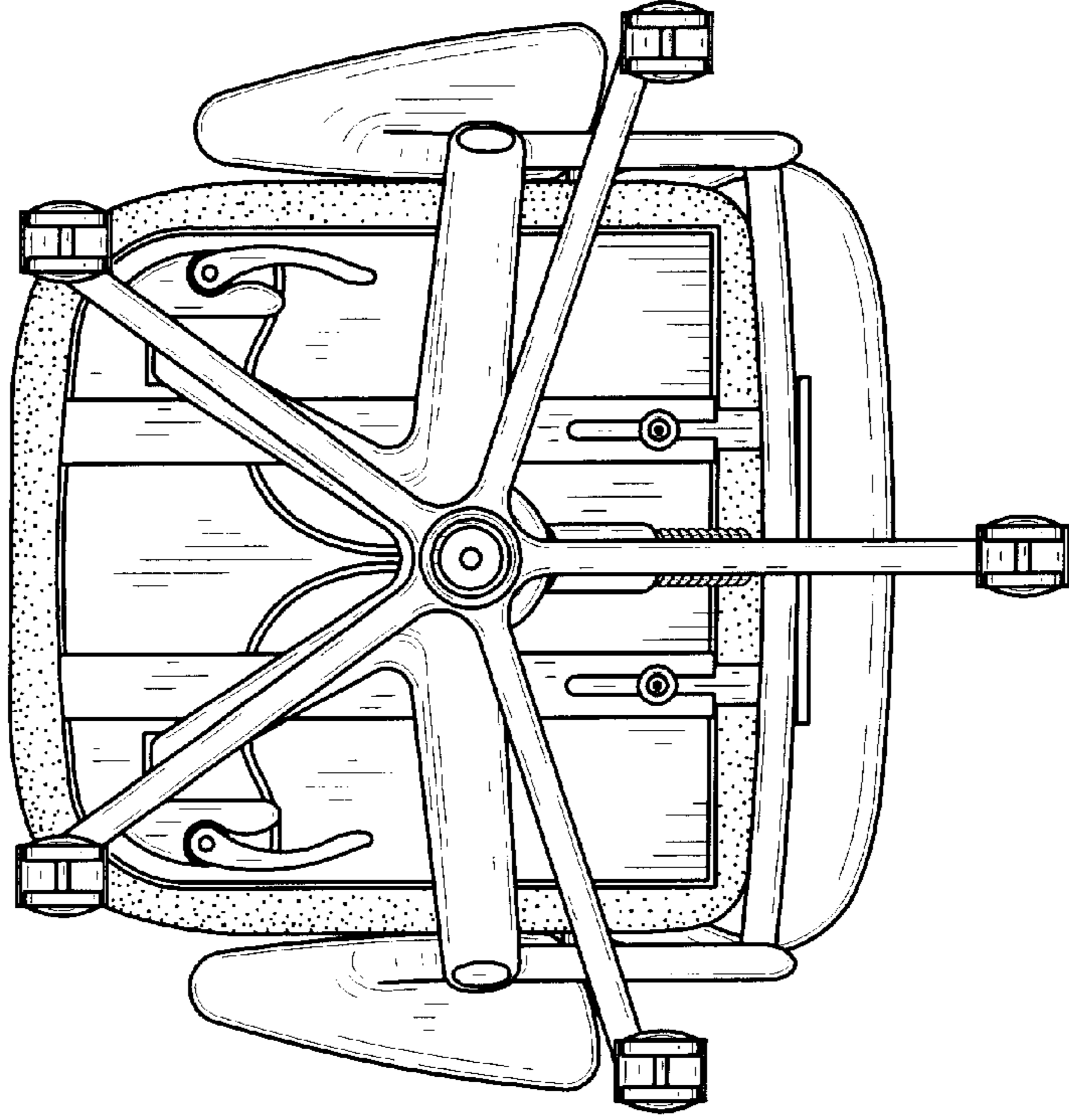


FIG. 5

