



US00D437494S

(12) **United States Design Patent**
Grisdale et al.

(10) **Patent No.:** **US D437,494 S**

(45) **Date of Patent:** **** Feb. 13, 2001**

(54) **GARMENT HANGER**

(75) Inventors: **Marianne Grisdale**, Chicago; **Ralph LaZar**, Skokie; **Douglas Schein**, Chicago, all of IL (US)

(73) Assignee: **Whirlpool Corporation**, Benton Harbor, MI (US)

(**) Term: **14 Years**

(21) Appl. No.: **29/123,220**

(22) Filed: **May 12, 2000**

(51) **LOC (7) Cl.** **06-08**

(52) **U.S. Cl.** **D6/326; D6/319**

(58) **Field of Search** D6/315, 317, 318,
D6/319, 326; D8/395; 211/113, 119; 223/85,
87, 88, 91, 92, 93, 95, 96

(56) **References Cited**

U.S. PATENT DOCUMENTS

D. 111,666	10/1938	Seavey .	
D. 203,726	* 2/1966	Tobia	D6/318
D. 355,980	* 3/1995	Dallaire	D6/318
D. 376,480	* 12/1996	Whitehead et al.	D6/319
915,393	3/1909	Walker .	
920,894	5/1909	Bonsall .	
2,426,292	8/1947	Appleman	223/90
2,452,346	10/1948	Appleman	223/90

2,522,595	*	9/1950	Bacica .	
2,742,209	*	4/1956	Reinsch .	
3,281,027		10/1966	O'Konogi	223/91
3,726,452		4/1973	Jaffe	223/91
5,074,445		12/1991	Chen	223/85
5,289,956	*	3/1994	Patrou	223/96

* cited by examiner

Primary Examiner—B. J. Bullock

(74) *Attorney, Agent, or Firm*—Andrea Powers Denklau; Thomas J. Roth; Robert O. Rice

(57) **CLAIM**

The ornamental design for a garment hanger, as shown and described.

DESCRIPTION

FIG. 1 is a perspective view of a garment hanger showing our new design.

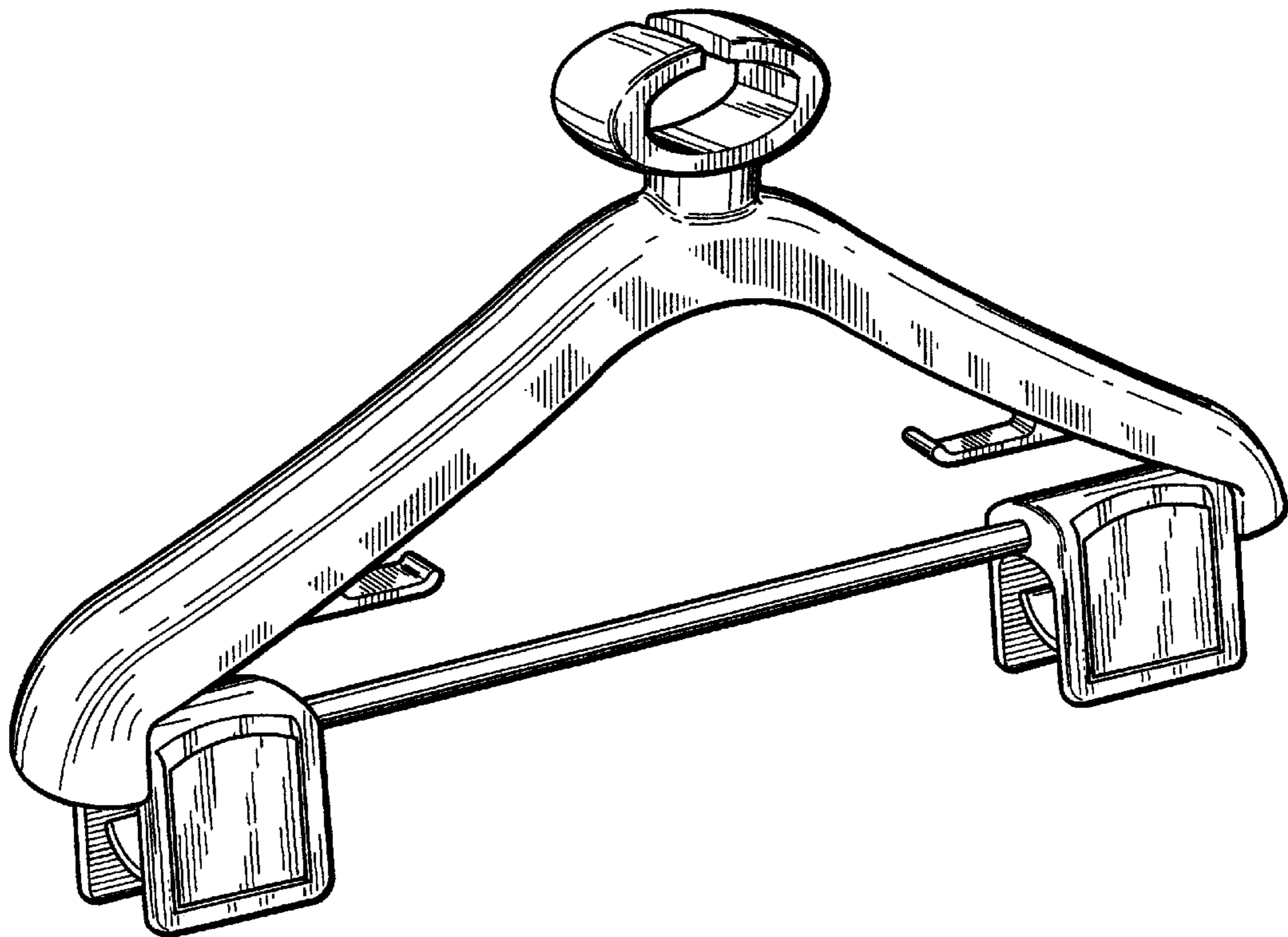
FIG. 2 is a front elevational view of a garment hanger showing our new design.

FIG. 3 is a top plan view of a garment hanger showing our new design.

FIG. 4 is a right side elevational view of a garment hanger showing our new design, the right side elevational view being a mirror image; and,

FIG. 5 is a rear elevational view of a garment hanger showing our new design.

1 Claim, 2 Drawing Sheets



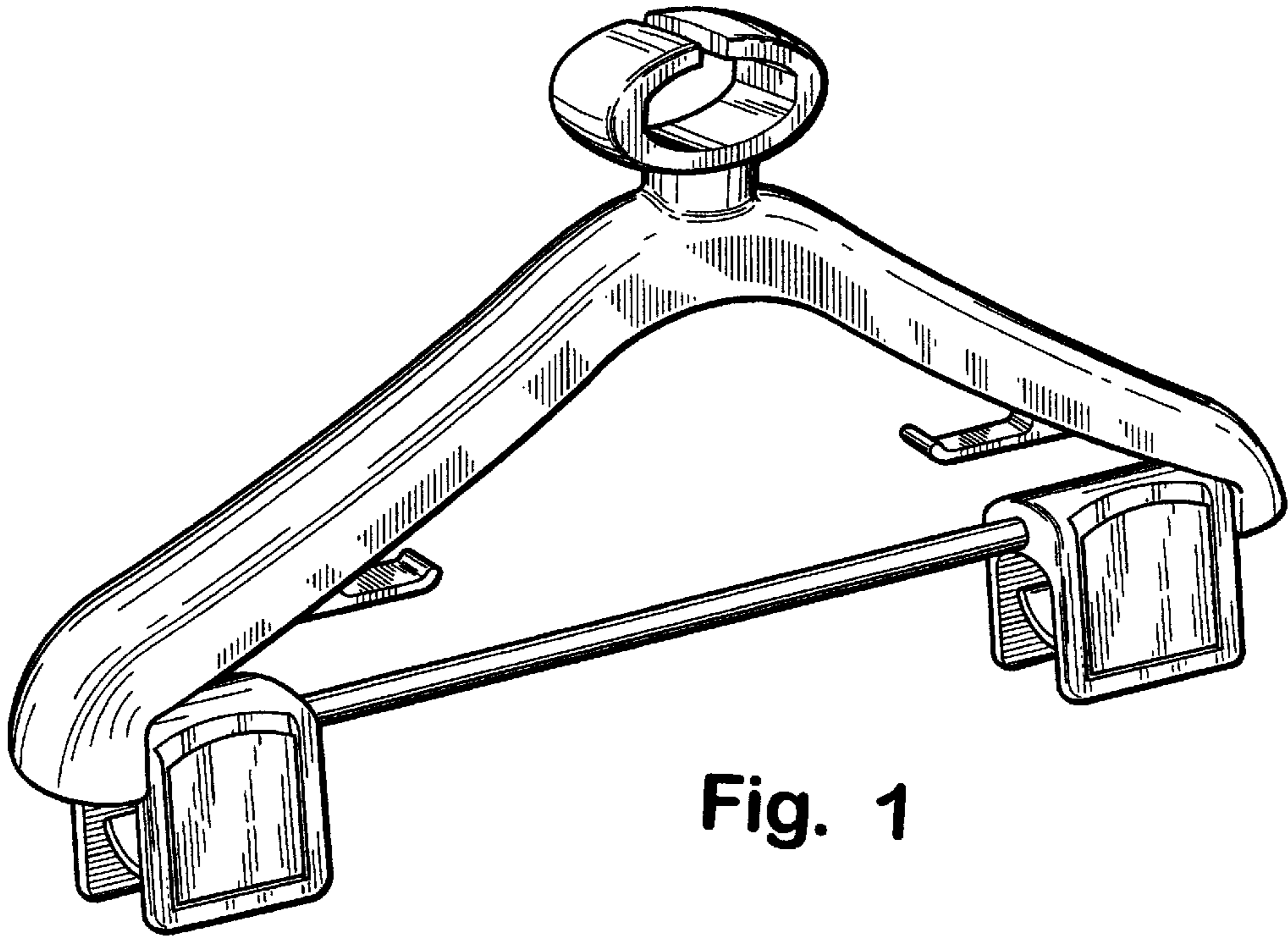


Fig. 1

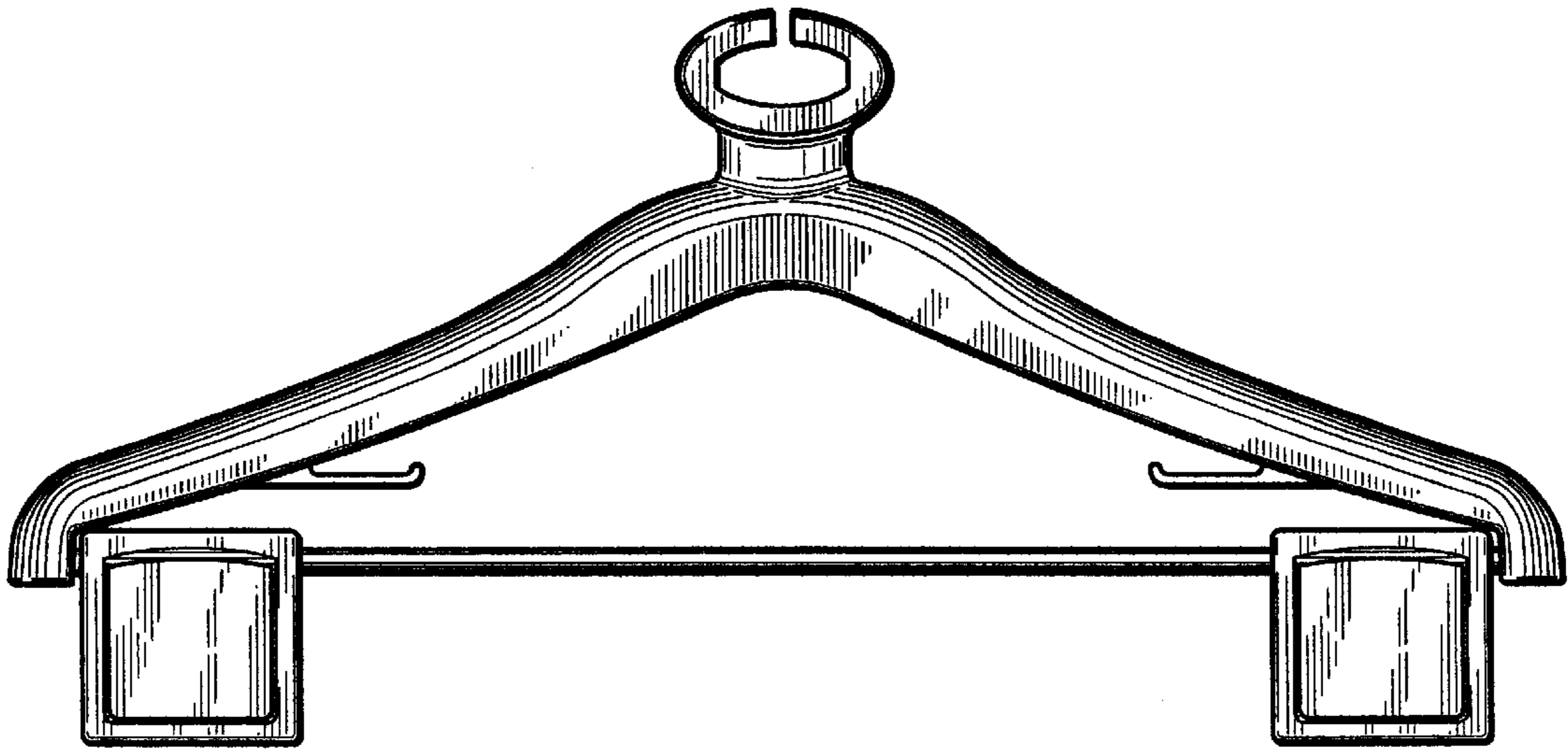


Fig. 2

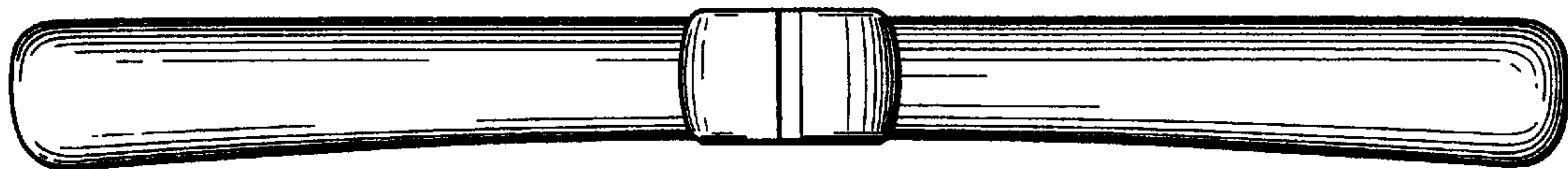


Fig. 3

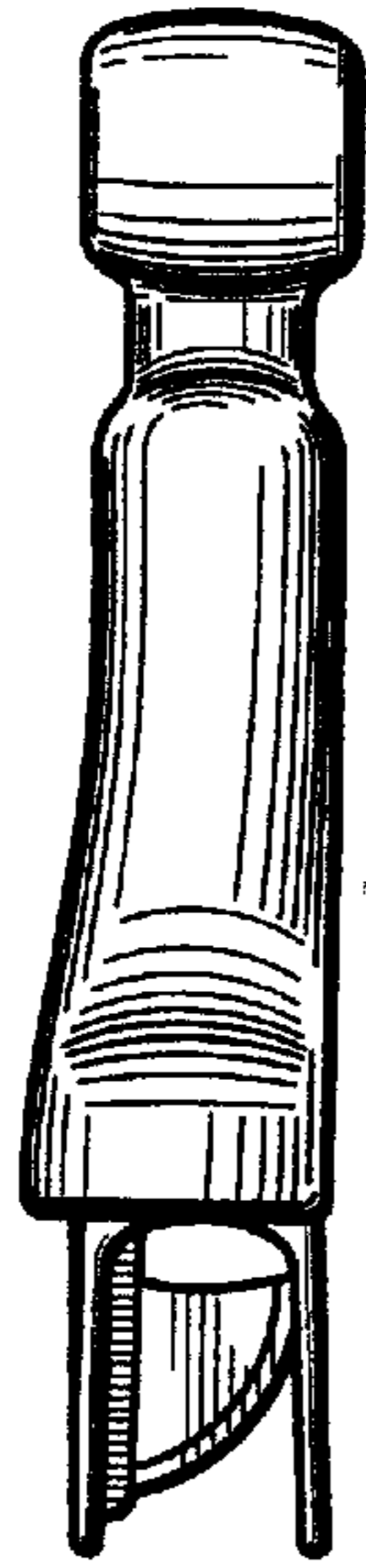


Fig. 4

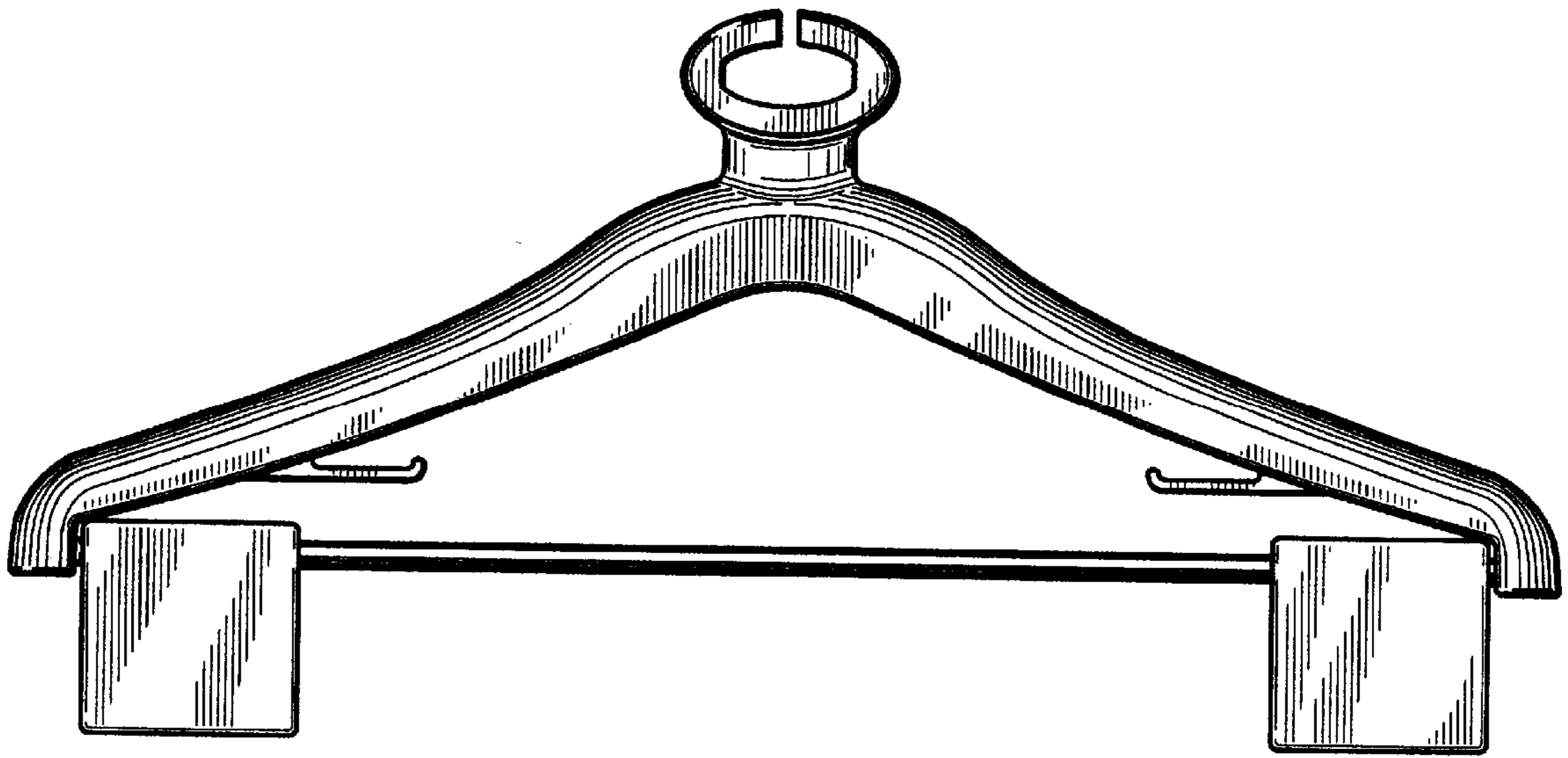


Fig. 5