



US00D437490S

(12) **United States Design Patent**  
**Vincent**

(10) **Patent No.:** **US D437,490 S**

(45) **Date of Patent:** **\*\* Feb. 13, 2001**

(54) **PICTURE FRAME ARRAY**

(75) Inventor: **Thomas Vincent**, San Raphael, CA (US)

(73) Assignee: **Umbra, Inc.**, Buffalo, NY (US)

(\*\*) Term: **14 Years**

(21) Appl. No.: **29/123,871**

(22) Filed: **May 25, 2000**

(51) **LOC (7) Cl.** ..... **06-07**

(52) **U.S. Cl.** ..... **D6/302**

(58) **Field of Search** ..... D6/300-303, 308-314;  
40/700, 711, 714-716, 721, 722, 745, 761,  
765, 780, 798, 799, 729-731

(56) **References Cited**

**U.S. PATENT DOCUMENTS**

D. 230,808	*	3/1974	Edwards	.....	D6/301
D. 351,949	*	11/1994	Tamas	.....	D6/302
3,722,122		3/1973	Sesto	.	
4,017,989		4/1977	Murray	.	
4,123,862	*	11/1978	Dyer et al.	.....	40/729
4,706,397		11/1987	Hesener	.	
4,827,639		5/1989	Wang	.	
5,267,403		12/1993	Hesner	.	

\* cited by examiner

*Primary Examiner*—Janice E. Seeger

(74) *Attorney, Agent, or Firm*—SAIDMAN DesignLaw Group

(57) **CLAIM**

The ornamental design for a picture frame array, as shown and described.

**DESCRIPTION**

FIG. 1 is a perspective view of a picture frame array showing my new design;

FIG. 2 is a front view thereof;

FIG. 3 is a left side view thereof;

FIG. 4 is a right side view thereof;

FIG. 5 is a top view thereof;

FIG. 6 is a bottom view thereof; and,

FIG. 7 is a perspective view of a second embodiment of my new design.

The dashed lines in FIGS. 1-7 represent environmental subject matter and form no part of the claimed design. The dotted lines shown in FIGS. 1, 2 and 7 represent the border between claimed subject matter and unclaimed environmental subject matter and form no part of the claimed design.

**1 Claim, 5 Drawing Sheets**

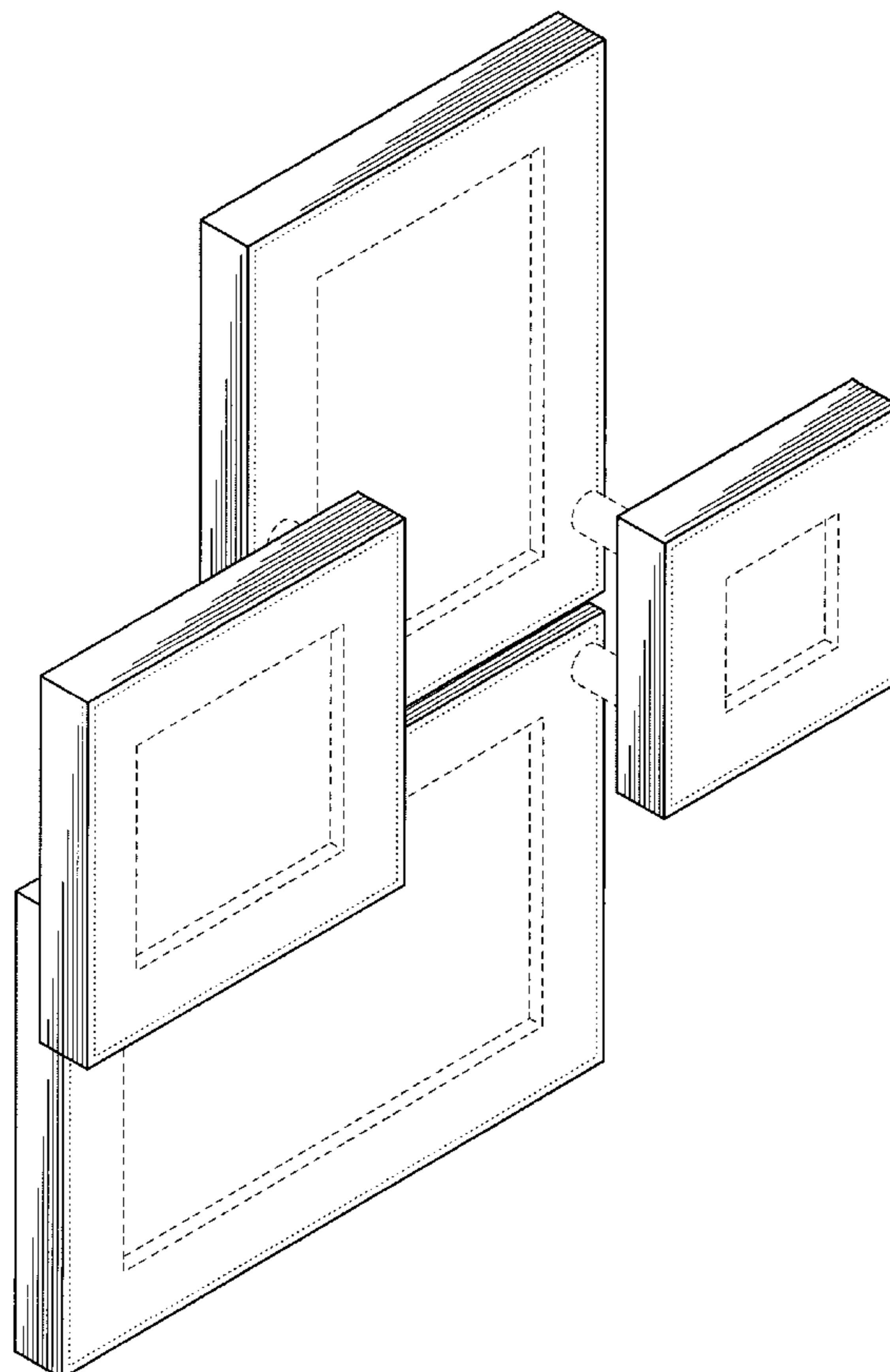


FIG. 1

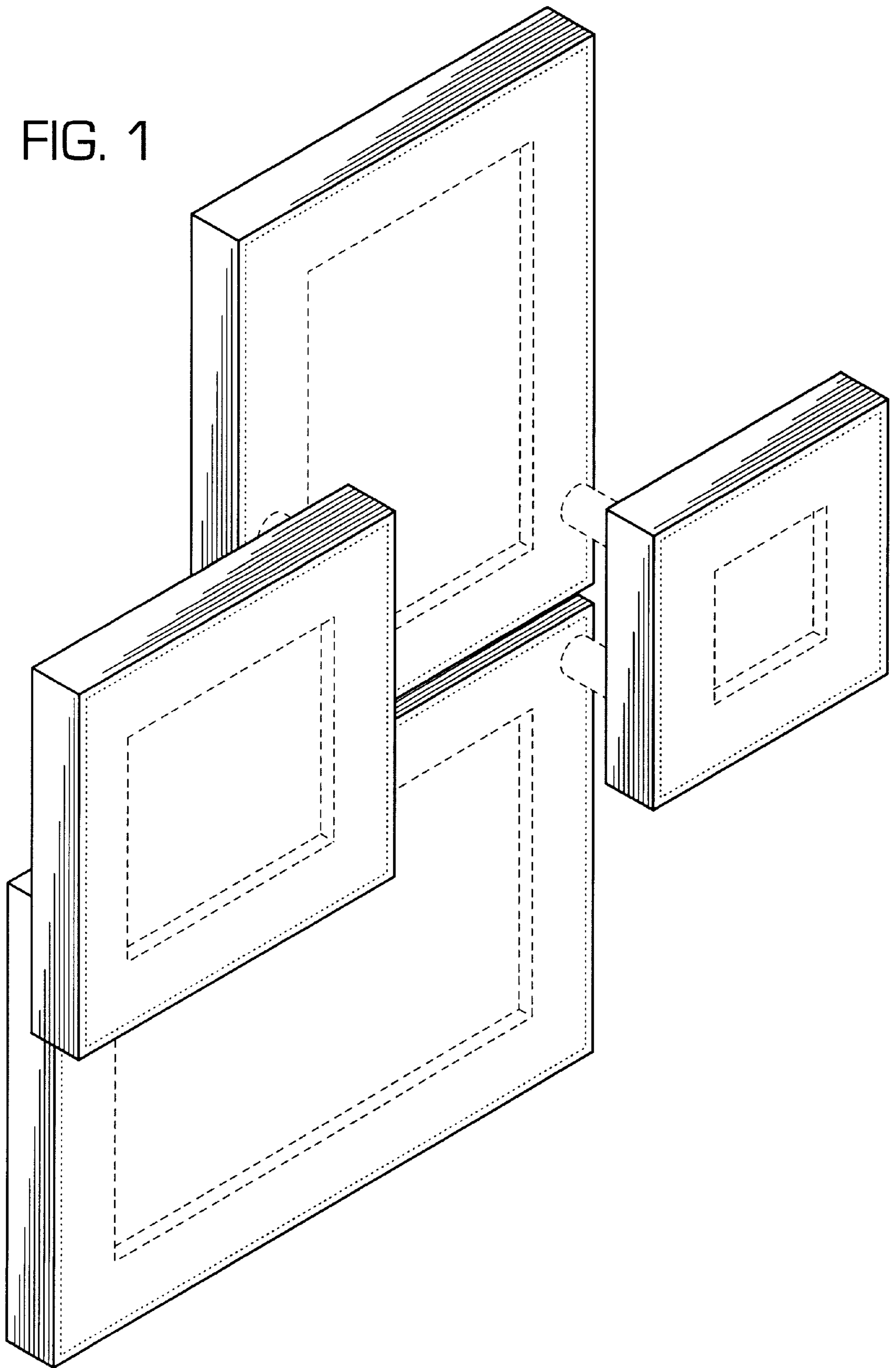


FIG. 2

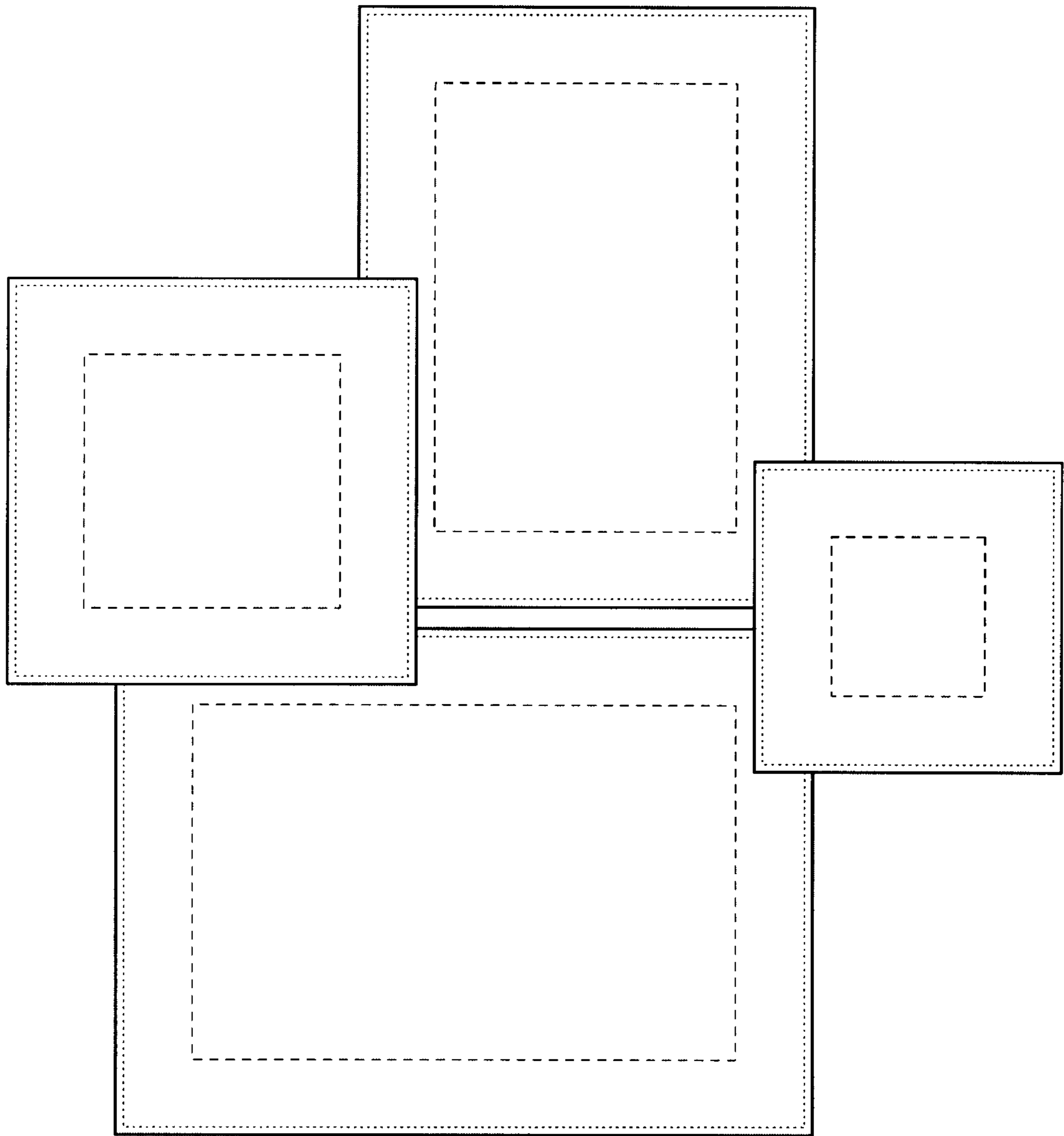


FIG. 3

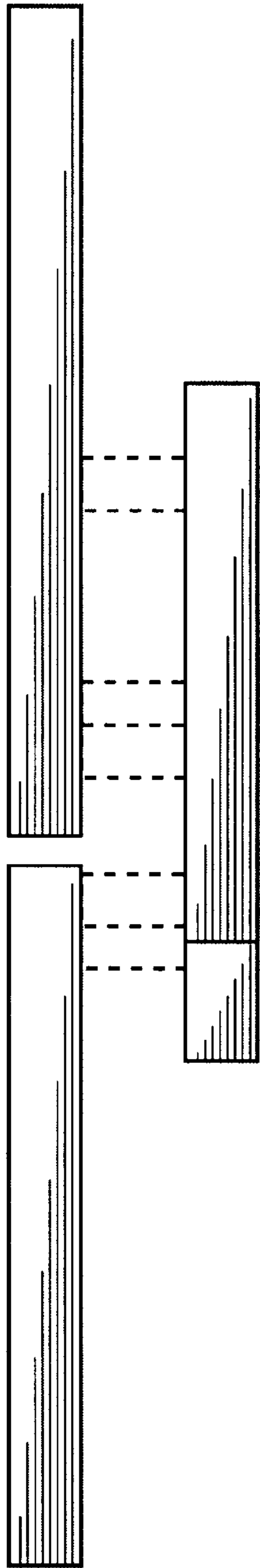


FIG. 4

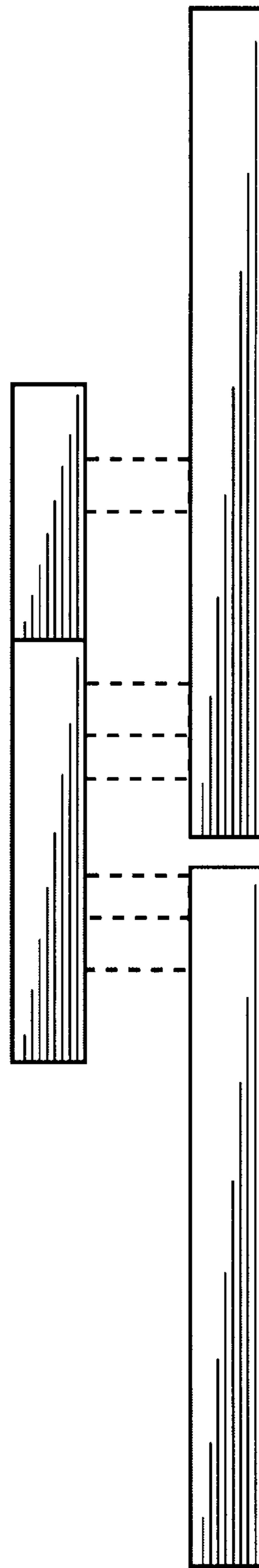


FIG. 5

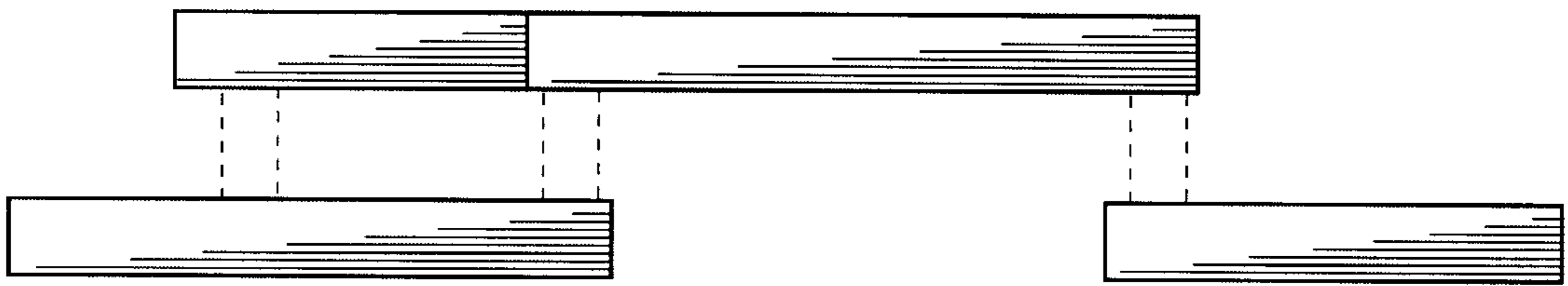


FIG. 6

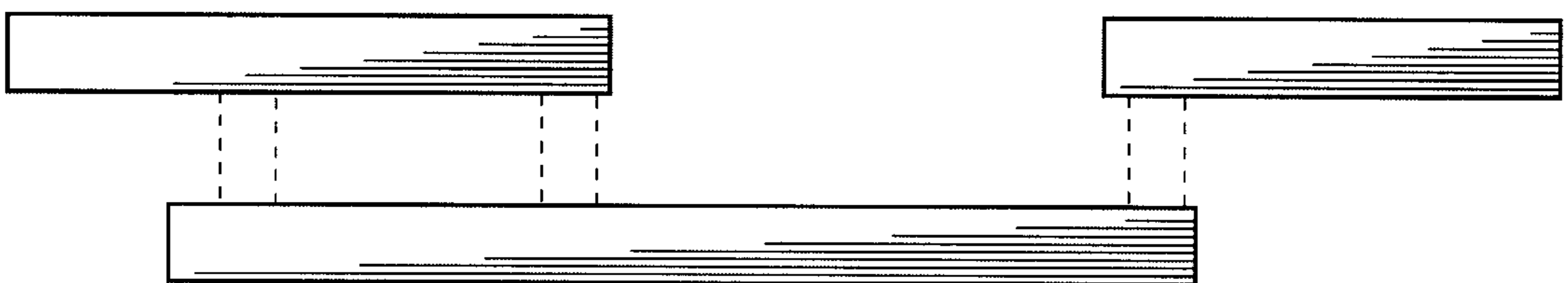


FIG. 7

