



US00D437488S

(12) **United States Design Patent**
Weiss

(10) **Patent No.: US D437,488 S**

(45) **Date of Patent: ** Feb. 13, 2001**

(54) **BRUSH**

(76) **Inventor: Sherman L. Weiss, 4718 Louise Ave., Encino, CA (US) 91316**

(**) **Term: 14 Years**

(21) **Appl. No.: 29/124,701**

(22) **Filed: Jun. 9, 2000**

(51) **LOC (7) Cl. 04-01**

(52) **U.S. Cl. D4/132**

(58) **Field of Search** D4/130, 132, 134, D4/138; 15/143.1, 159.1, 160, 186, 187, 191.1, 192, 193; 16/110.1, 430

(56) **References Cited**

U.S. PATENT DOCUMENTS

D. 25,518	5/1896	Young .	
36,309	8/1862	Schweizer et al. .	
D. 42,437 *	4/1912	MacKenzie	D4/132
D. 100,789	8/1936	O'Donoghue .	
D. 101,729	10/1936	Bickel .	
D. 113,842	3/1939	Jobst .	
D. 120,678	5/1940	Parker .	
D. 126,041	3/1941	Cosby .	
128,917	7/1872	Small .	
D. 167,335	7/1952	Carter .	
D. 167,775	9/1952	Schmidt .	
D. 167,951	10/1952	Porter .	
D. 169,673	5/1953	Horton .	
D. 178,310	7/1956	Racicot .	
D. 178,578	8/1956	Pelzmann .	
D. 182,026	2/1958	Huxtable .	
D. 185,466	6/1959	Scholl .	
D. 189,639	1/1961	Goon .	
D. 190,318	5/1961	Vallis .	
D. 191,194	8/1961	Davis .	
D. 197,506	2/1964	Lardenois .	
D. 209,503	12/1967	Tucker .	
D. 217,755	6/1970	Schotland .	
D. 217,951	7/1970	Schotland .	
D. 227,620	7/1973	Lindbo .	
D. 227,622	7/1973	Lindbo .	
D. 227,826	7/1973	Lindbo .	
D. 228,585	10/1973	Spydevold .	

D. 228,982	11/1973	Fischer .
D. 231,162	4/1974	Schulenburg-Wolfsburg .
D. 231,284	4/1974	Lindbo .
D. 234,553	3/1975	Lardenois .
D. 235,411	6/1975	Savage .
D. 235,942	7/1975	Rocke .
D. 236,071	7/1975	Zemke .
D. 240,473	7/1976	Parker .
D. 242,748	12/1976	Graham et al. .
D. 242,882	1/1977	Schneider .
D. 244,809	6/1977	Graham et al. .
D. 245,462	8/1977	Hauf et al. .
D. 247,543	3/1978	Savage .
D. 258,779	4/1981	Hopkins et al. .
D. 266,458	10/1982	Gonsalves .
D. 269,565	7/1983	Goldstaub .
D. 272,713	2/1984	Hayes et al. .
D. 274,388	6/1984	Colemore-Williams .

(List continued on next page.)

OTHER PUBLICATIONS

Fuller Brush Catalog, Inc., Grill Brush—Item No. 11945A, p. 41, ©1988.*
Home Trends™, Prep Brush Set—Item No. 34156, p. 66, ©1999.*

Primary Examiner—Alan P. Douglas
Assistant Examiner—Lavone Tabor
(74) *Attorney, Agent, or Firm*—Marshall A. Lerner, Esq.; Finn T. Simmens, Esq.; Kleinberg & Lerner, LLP

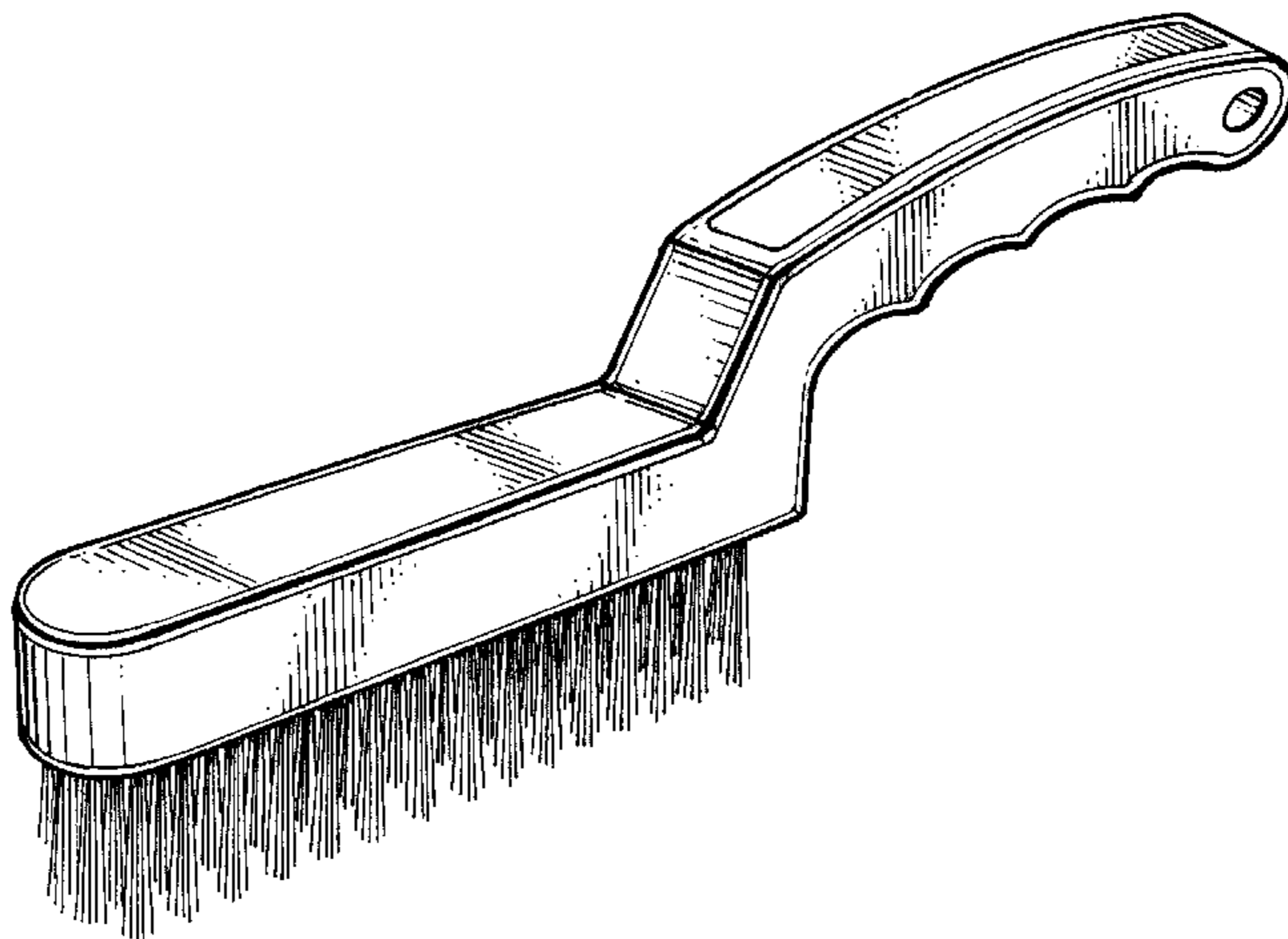
(57) **CLAIM**

The ornamental design for a brush, as shown and described.

DESCRIPTION

FIG. 1 is a perspective view of the brush showing the new design;
FIG. 2 is a front elevational view thereof;
FIG. 3 is a rear elevational view thereof;
FIG. 4 is a right side elevational view thereof, the opposite side being a mirror image;
FIG. 5 is a top plan view thereof; and,
FIG. 6 is a bottom plan view thereof.

1 Claim, 2 Drawing Sheets



US D437,488 S

Page 2

U.S. PATENT DOCUMENTS

D. 282,604	2/1986	Whitaker .	
D. 288,989	3/1987	Camardello .	
D. 291,029	7/1987	Purvis et al. .	
D. 303,323	9/1989	Saunders .	
D. 307,077	4/1990	Bryant .	
D. 309,984	8/1990	Gingras .	
D. 314,282	2/1991	Gingras .	
D. 315,064	3/1991	Vetter .	
D. 337,660	7/1993	Ricciarelli et al. .	
D. 345,653	4/1994	Joyner et al. .	
D. 351,735	* 10/1994	Lessman	D4/134
D. 356,446	3/1995	Hoagland .	
D. 357,127	4/1995	Hoagland .	
D. 358,491	5/1995	Hoagland .	
D. 360,763	8/1995	Camp, Jr. et al. .	
D. 360,988	8/1995	Laubach, III et al. .	
D. 361,894	9/1995	Hoagland .	
D. 363,609	* 10/1995	Bocknak et al.	D4/138
D. 367,176	2/1996	Berti .	
D. 369,472	5/1996	Laubach, III et al. .	
D. 369,906	5/1996	Henrie .	
D. 371,002	6/1996	Berti .	
D. 375,842	* 11/1996	Gringer	D4/132
D. 391,084	2/1998	Armour .	
D. 392,104	3/1998	Berti .	
D. 394,352	5/1998	Berti .	
D. 396,558	8/1998	Berti .	
D. 398,110	9/1998	Zemel .	
D. 400,328	10/1998	Zemel .	
D. 405,960	2/1999	King et al. .	
856,168	6/1907	Lykken .	
1,760,268	5/1930	Cave .	
2,167,196	7/1939	Bothum .	
2,306,051	12/1942	Ghelber .	
2,592,648	4/1952	Bowers .	
2,792,584	5/1957	Fryda .	
2,802,229	8/1957	Bangs .	
2,807,814	10/1957	Leeming .	
2,817,864	12/1957	Morton .	
2,857,608	10/1958	Schwartz .	
3,199,139	8/1965	Vallis .	
5,317,779	6/1994	Hoagland .	
5,339,481	8/1994	Hoagland .	
5,471,700	12/1995	Pereira .	
5,809,604	9/1998	Olstyn .	

* cited by examiner

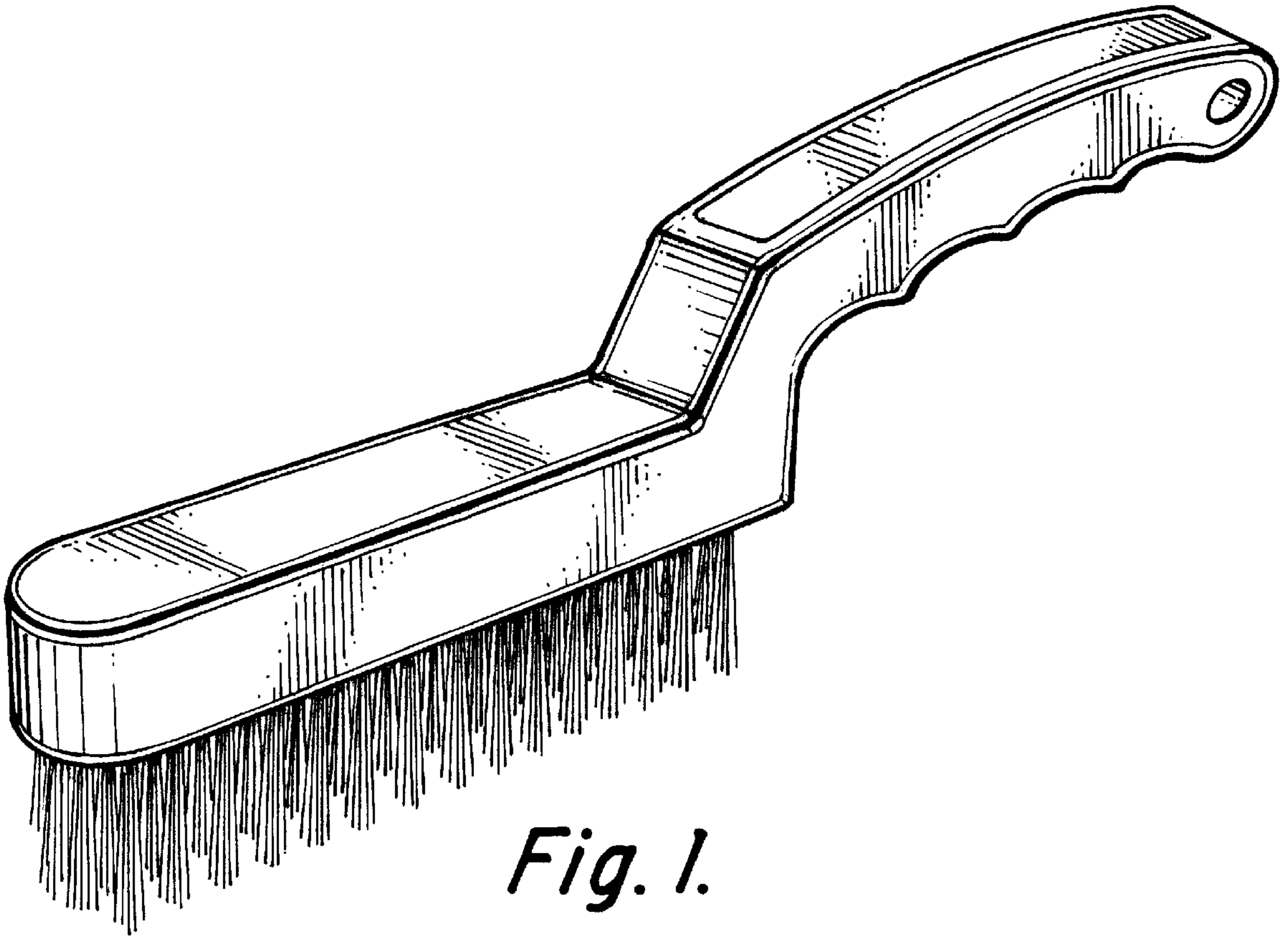


Fig. 1.

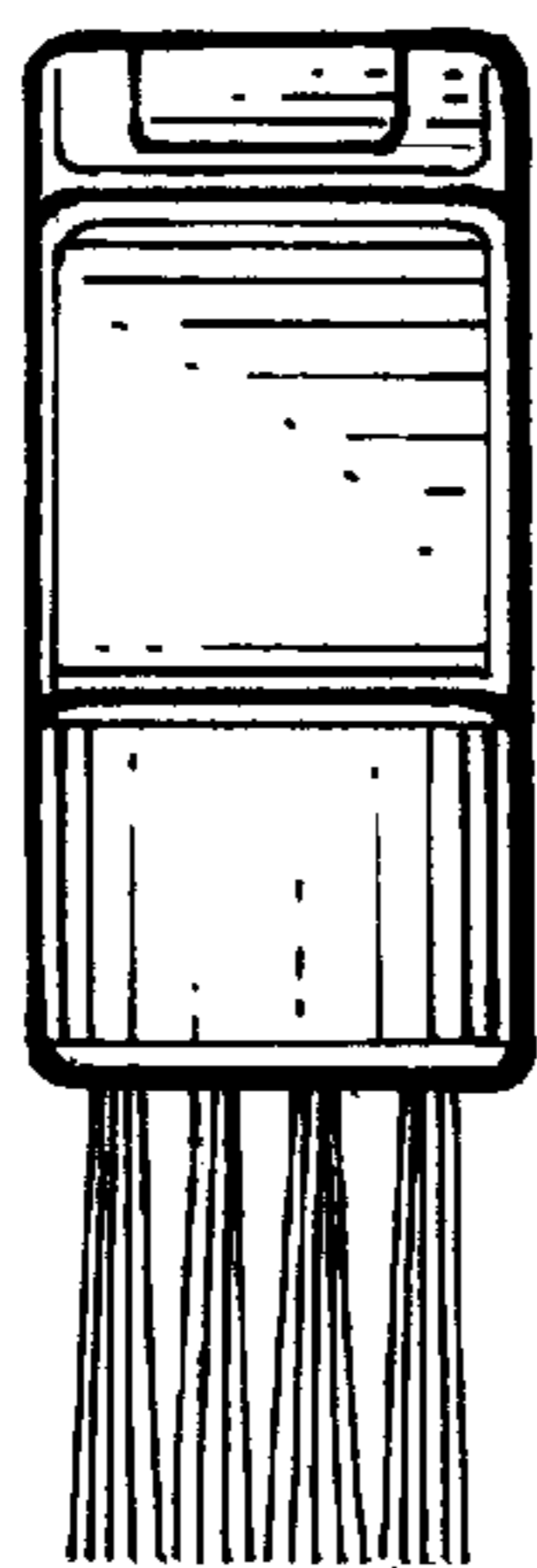


Fig. 2.

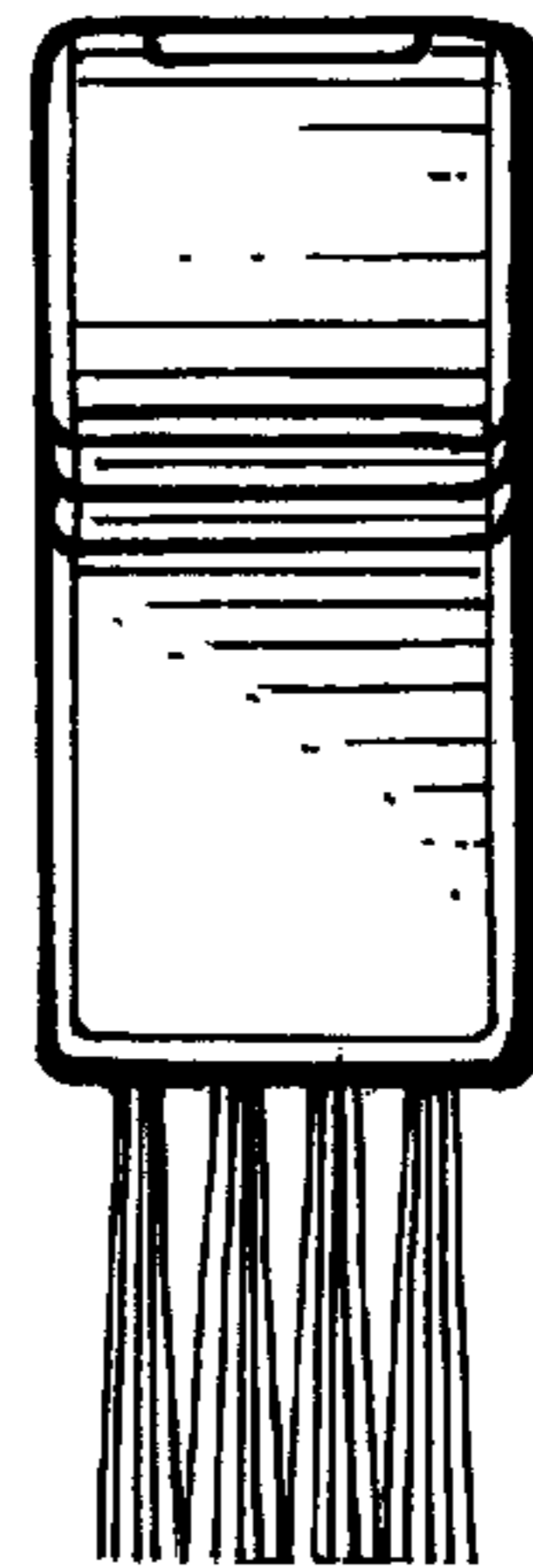


Fig. 3.

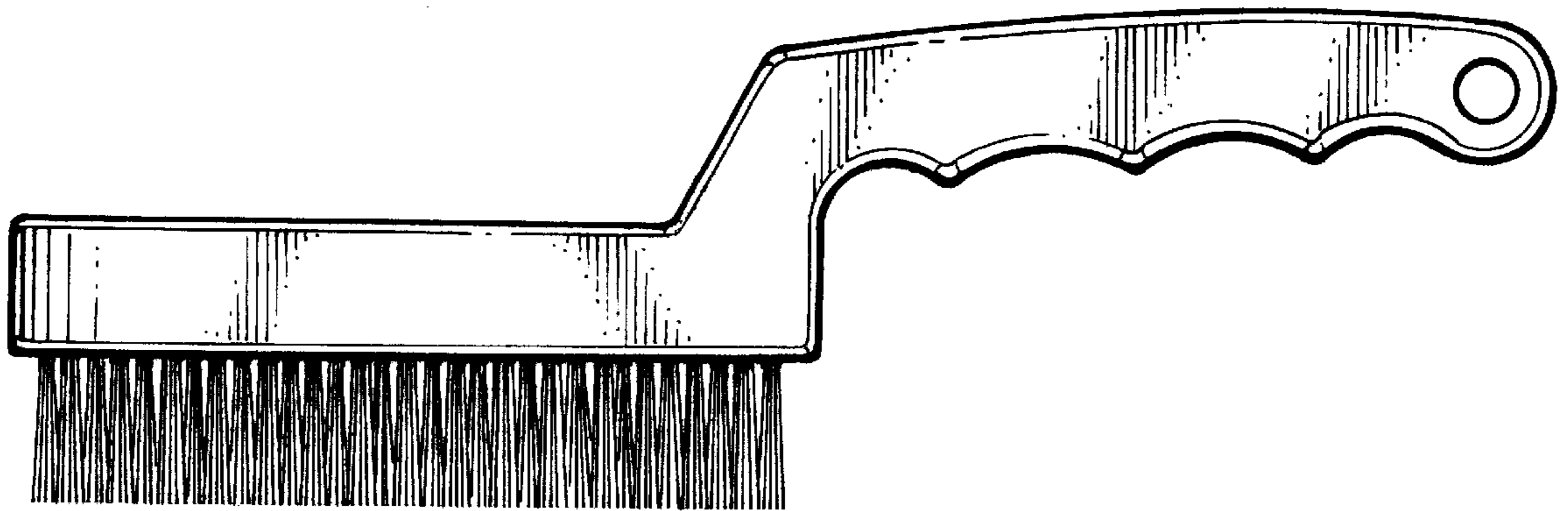


Fig. 4.



Fig. 5.

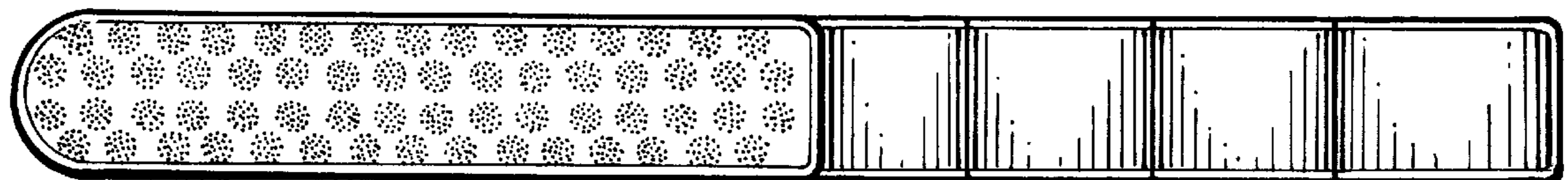


Fig. 6.