



US00D437484S

(12) **United States Design Patent**
Tiramani et al.

(10) **Patent No.:** **US D437,484 S**

(45) **Date of Patent:** **** Feb. 13, 2001**

(54) **ROLLING WORKSHOP**

(75) Inventors: **Paolo Tiramani**, Greenwich; **Soohyun Ham**, Stamford; **John A Bozak**, Greenwich, all of CT (US)

(73) Assignee: **500 Group Inc.**, Greenwich, CT (US)

(**) Term: **14 Years**

(21) Appl. No.: **29/110,542**

(22) Filed: **Sep. 8, 1999**

(51) **LOC (7) Cl.** **03-01**

(52) **U.S. Cl.** **D3/279; D3/276; D3/905**

(58) **Field of Search** **D3/273, 276, 279, D3/281, 283, 294, 295, 905; 280/47.26; 206/349, 372, 373; 190/18 A; D34/25, 19**

(56) **References Cited**

U.S. PATENT DOCUMENTS

- D. 311,622 * 10/1990 Swig D34/25
- D. 327,353 * 6/1992 Shetterly D34/25
- D. 349,989 * 8/1994 Shetterly D34/25
- D. 382,997 * 9/1997 Carr et al. D3/905

- D. 404,916 * 2/1999 Dickinson et al. D3/905
- 4,118,048 * 10/1978 Spranger et al. 280/47.35
- 5,378,005 * 1/1995 Norton 280/47.35
- 5,683,097 * 11/1997 Fenton et al. 280/47.35
- 5,988,658 * 11/1999 Ritchie et al. 280/47.35

* cited by examiner

Primary Examiner—Philip S. Hyder

(74) *Attorney, Agent, or Firm*—Pillsbury Madison & Sutro LLP

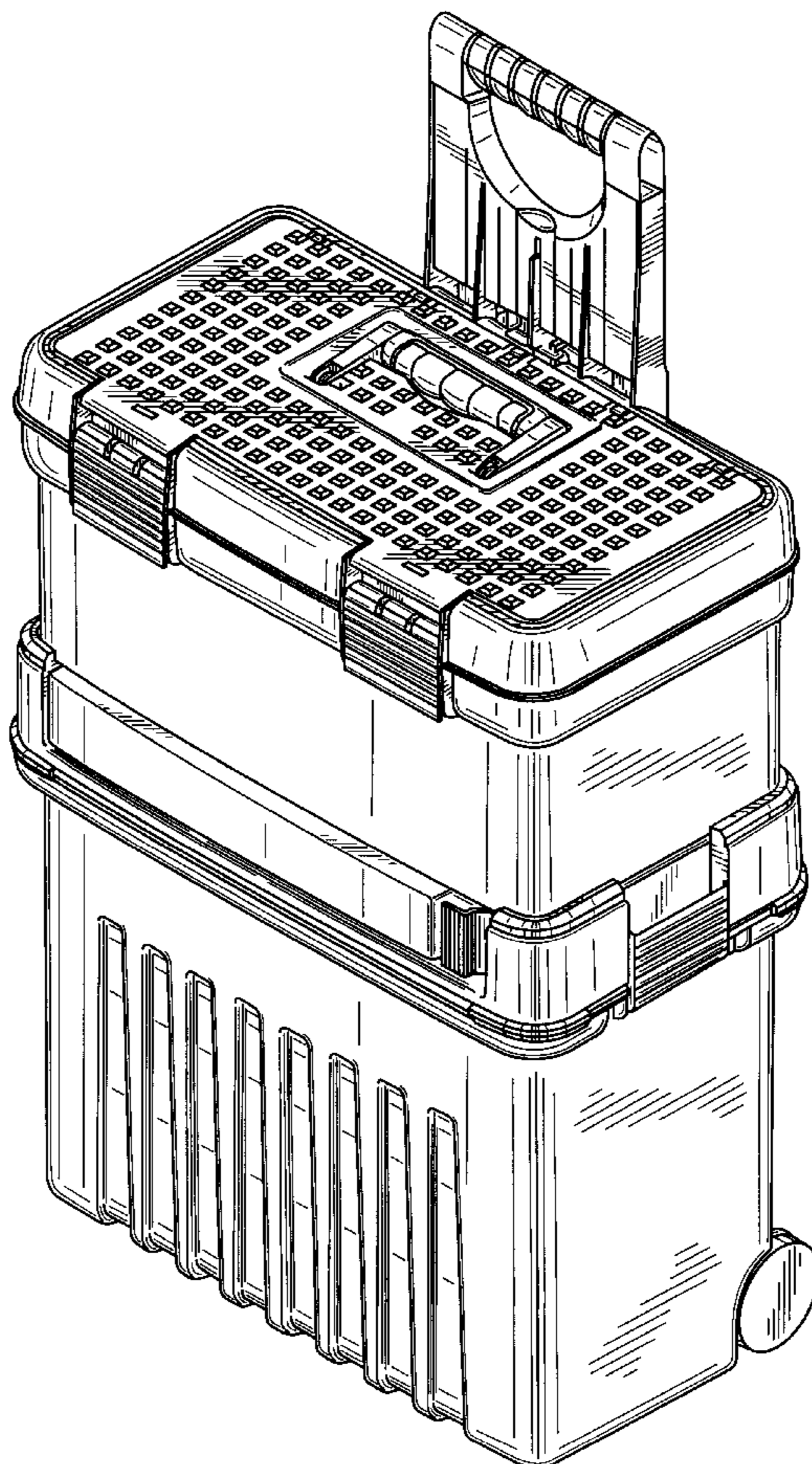
(57) **CLAIM**

The ornamental design for a rolling workshop, as shown and described.

DESCRIPTION

FIG. 1 is a perspective view looking down on the front and left side of a rolling workshop embodying our new design; FIG. 2 is a front elevational view thereof; FIG. 3 is a right side elevational view thereof, the left side elevational view being a mirror image thereof; FIG. 4 is a rear elevational view thereof; FIG. 5 is a top plan view thereof; and, FIG. 6 is a bottom plan view thereof.

1 Claim, 5 Drawing Sheets



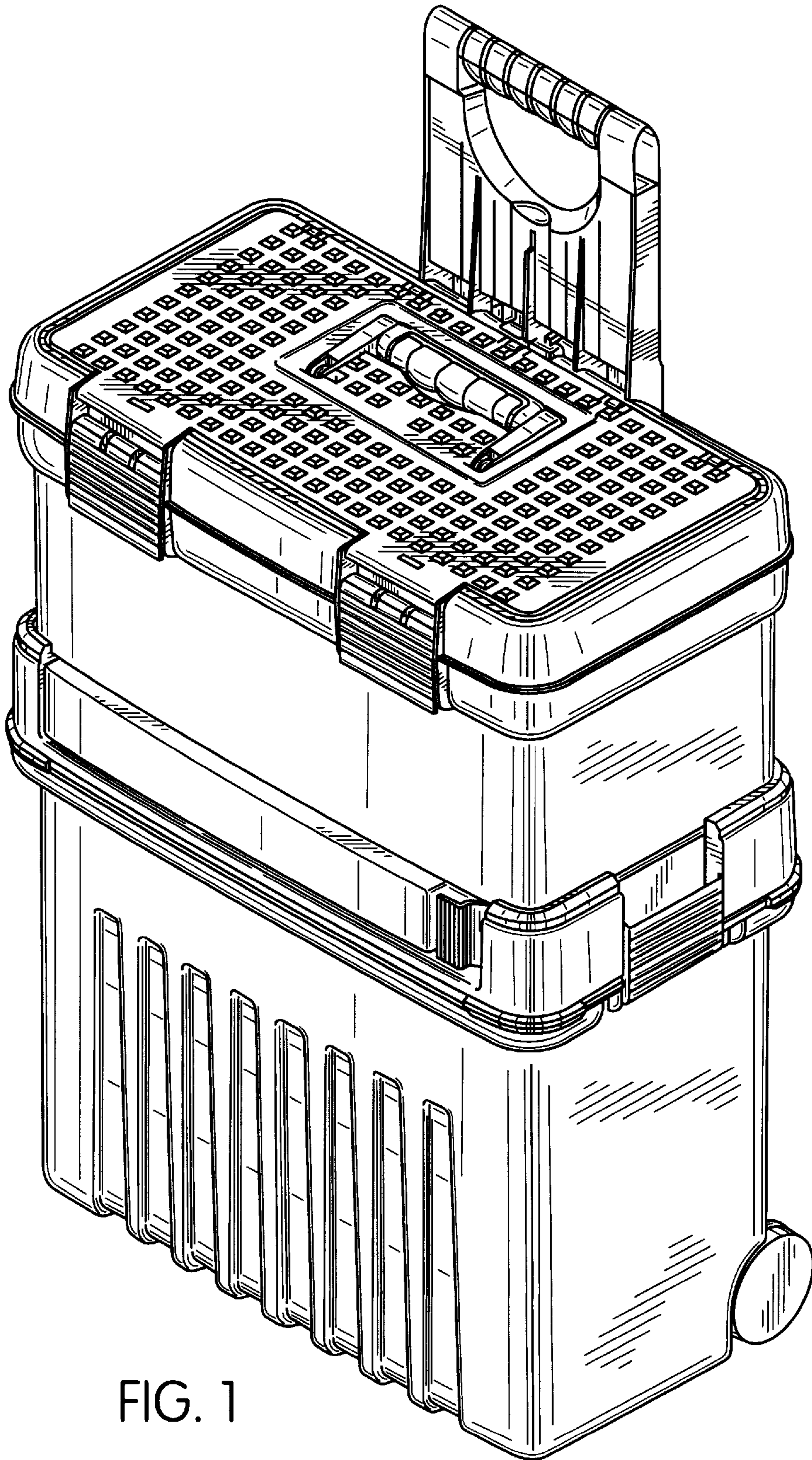


FIG. 1

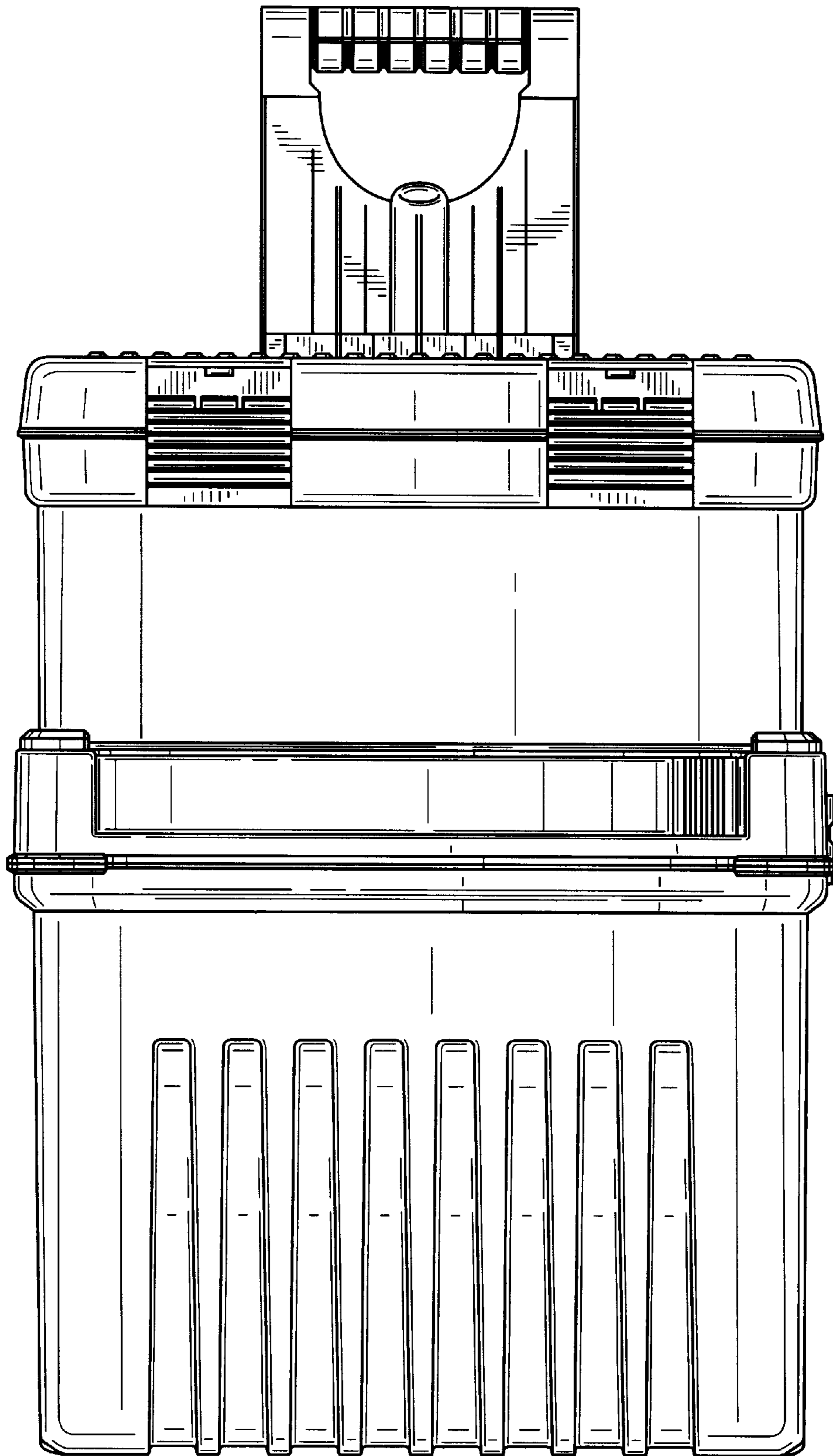


FIG. 2

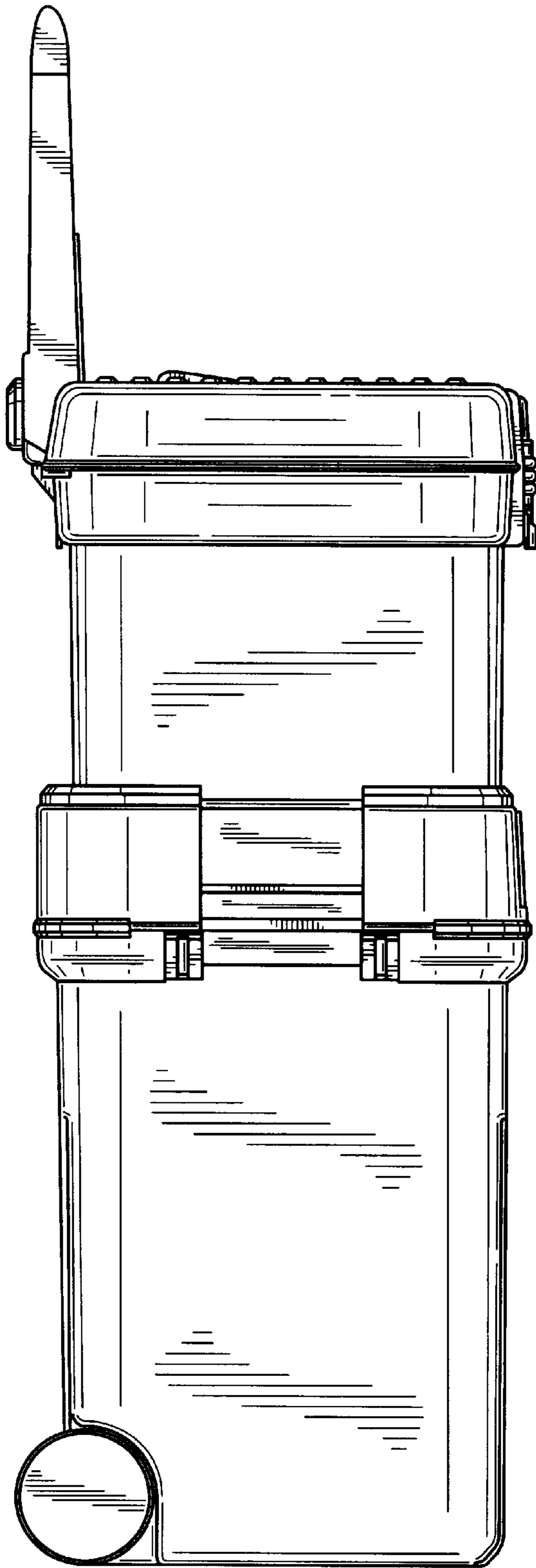


FIG. 3

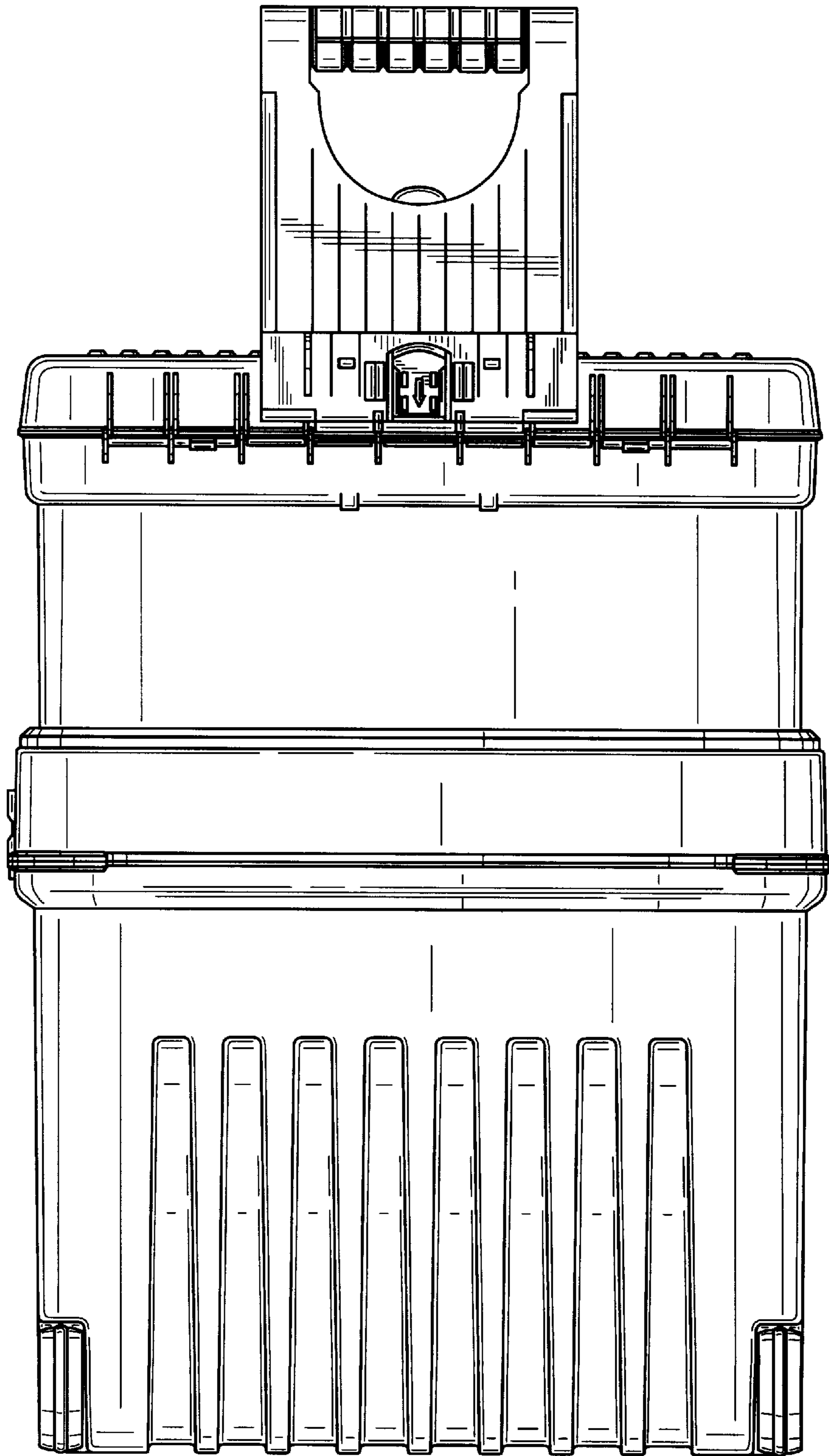


FIG. 4

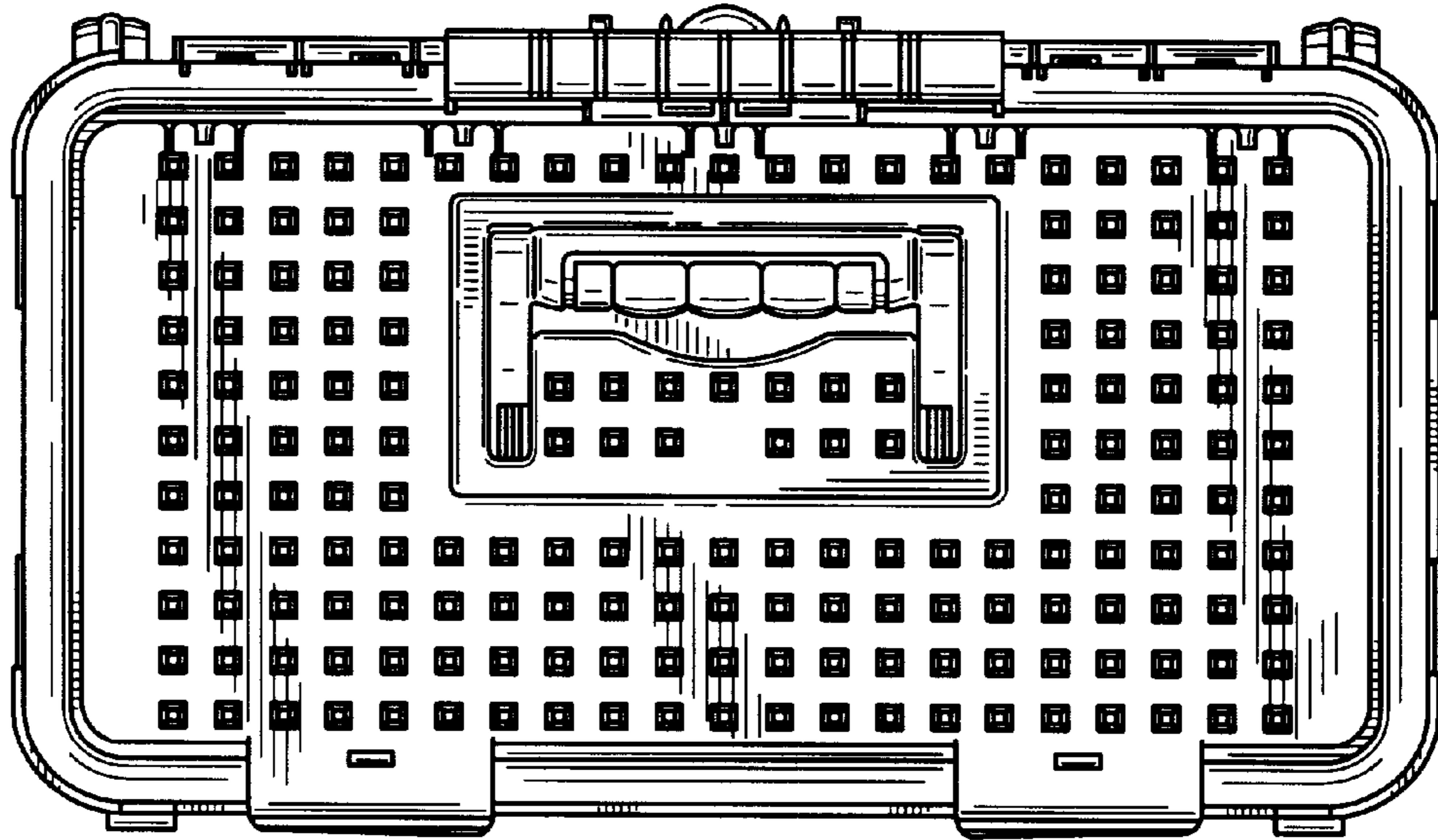


FIG. 5

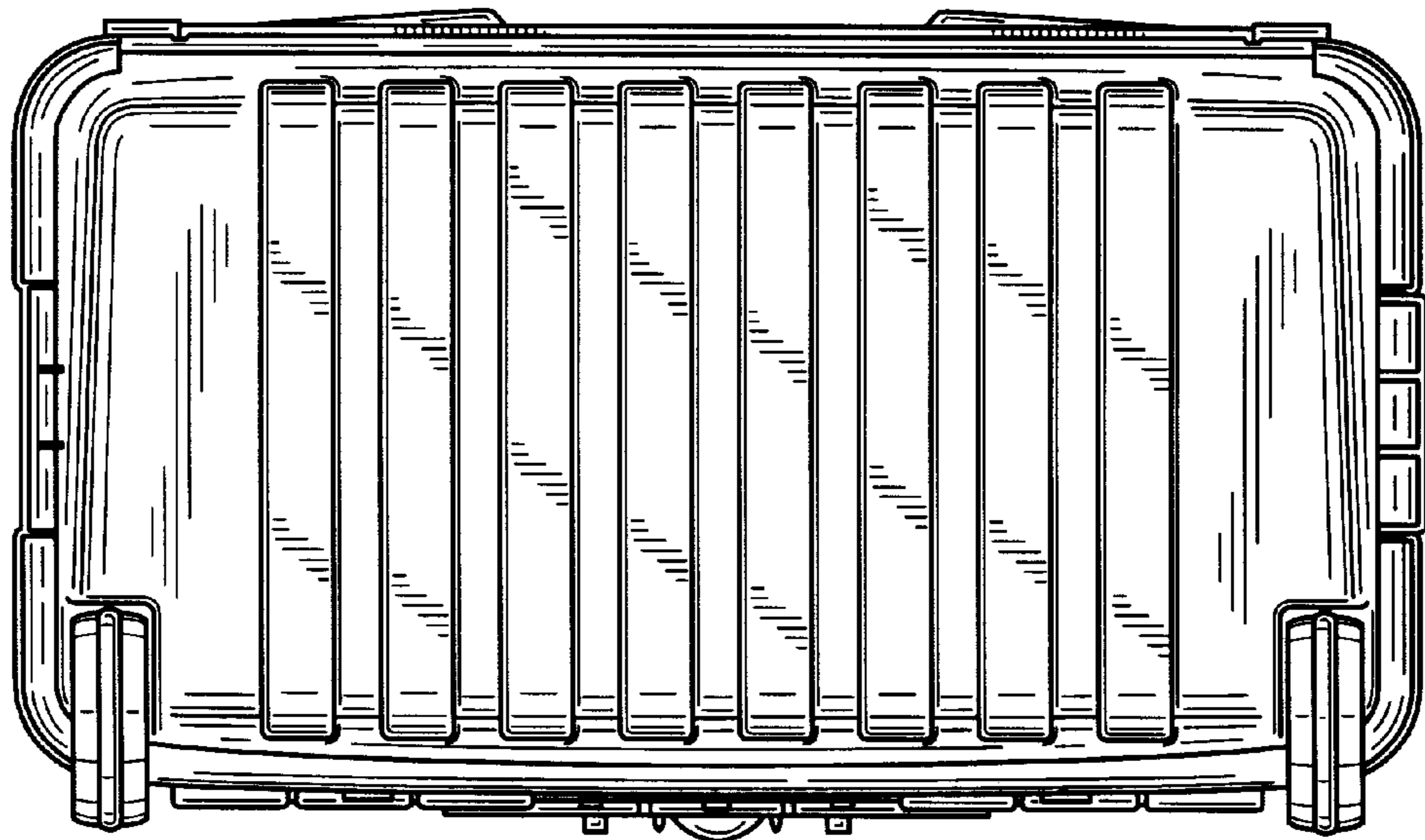


FIG. 6