



US00D437473S

(12) **United States Design Patent**
Preddy

(10) **Patent No.:** **US D437,473 S**

(45) **Date of Patent:** **** Feb. 13, 2001**

(54) **HAT SIZER**

(76) **Inventor:** **Robby V. Preddy, 3576 Roswell Rd.,
Suite E-1, Atlanta, GA (US) 30305**

(**) **Term:** **14 Years**

(21) **Appl. No.:** **29/125,308**

(22) **Filed:** **Jun. 21, 2000**

Related U.S. Application Data

(62) Division of application No. 29/110,540, filed on Sep. 3, 1999, now Pat. No. Des. 430,722.

(51) **LOC (7) Cl.** **02-03**

(52) **U.S. Cl.** **D2/892**

(58) **Field of Search** D2/865, 866, 893,
D2/891, 892; 2/171, 181, 195.1, DIG. 11,
1, 9, 10, 11, 12, 15; D21/497; 52/86, 88,
89

(56) **References Cited**

U.S. PATENT DOCUMENTS

- D. 360,289 * 7/1995 McKinley D2/892
- D. 361,197 * 8/1995 Wilson D2/892
- D. 430,722 * 9/2000 Preddy D2/892

- 3,828,366 * 8/1974 Conrad et al. 2/174
- 4,023,210 * 5/1997 Hanson 2/10
- 4,258,437 * 3/1981 Sawatsky 2/12
- 5,303,423 * 4/1994 Gazzara et al. 2/9

* cited by examiner

Primary Examiner—Paula A. Mortimer

(74) *Attorney, Agent, or Firm*—Hinkle & Associates, P.C.

(57) **CLAIM**

The ornamental design for a hat sizer, as shown and described.

DESCRIPTION

FIG. 1 is a front perspective view of new design mounted in a hat;

FIG. 2 is a rear perspective view thereof;

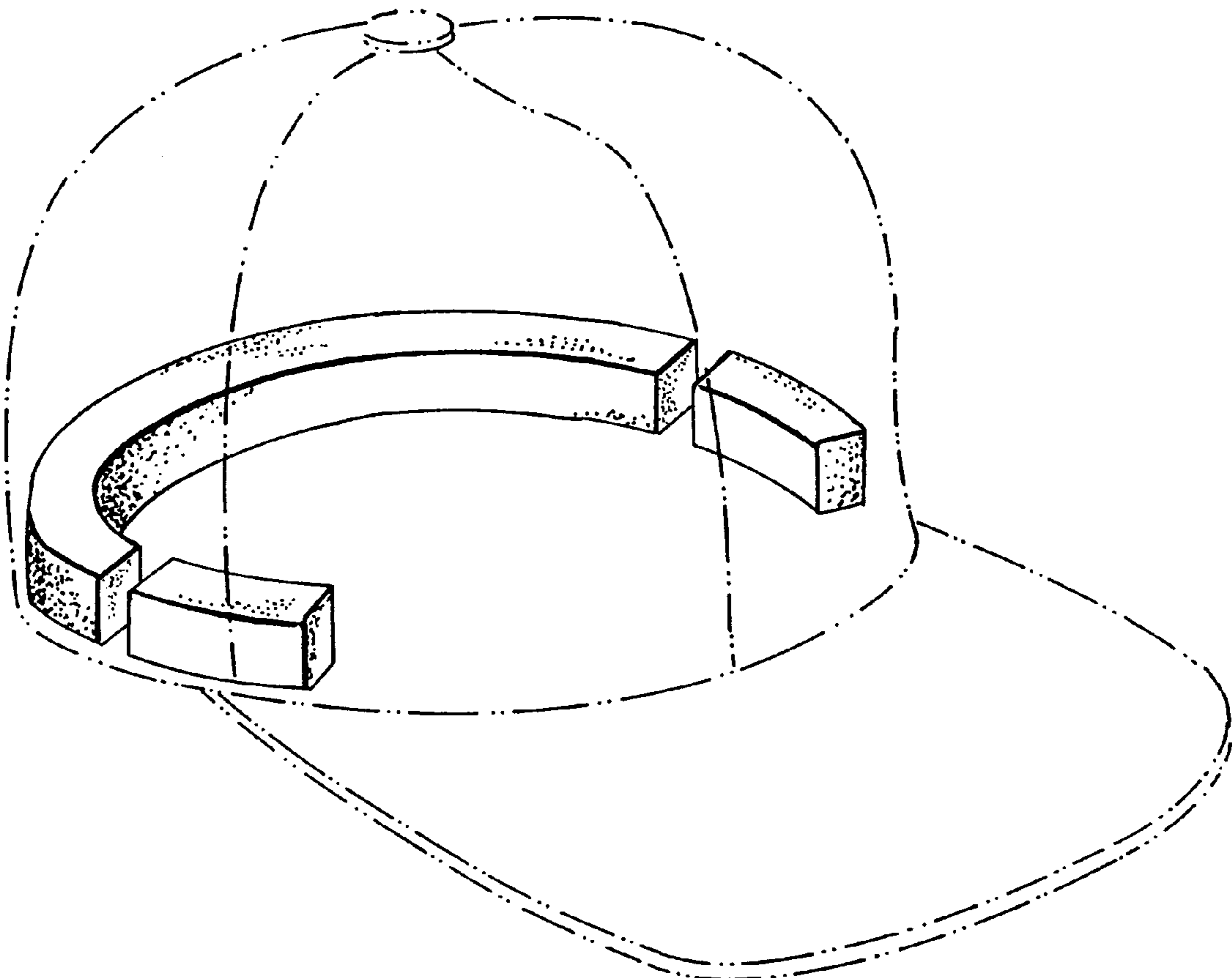
FIG. 3 is a top elevation view thereof, the opposite side being a mirror image;

FIG. 4 is a front elevation view thereof, the opposite side being a mirror image; and,

FIG. 5 is a side elevation view thereof, the opposite side being a mirror image.

The broken line showing of a hat is for illustrative purposes only and forms no part of the claimed design.

1 Claim, 2 Drawing Sheets



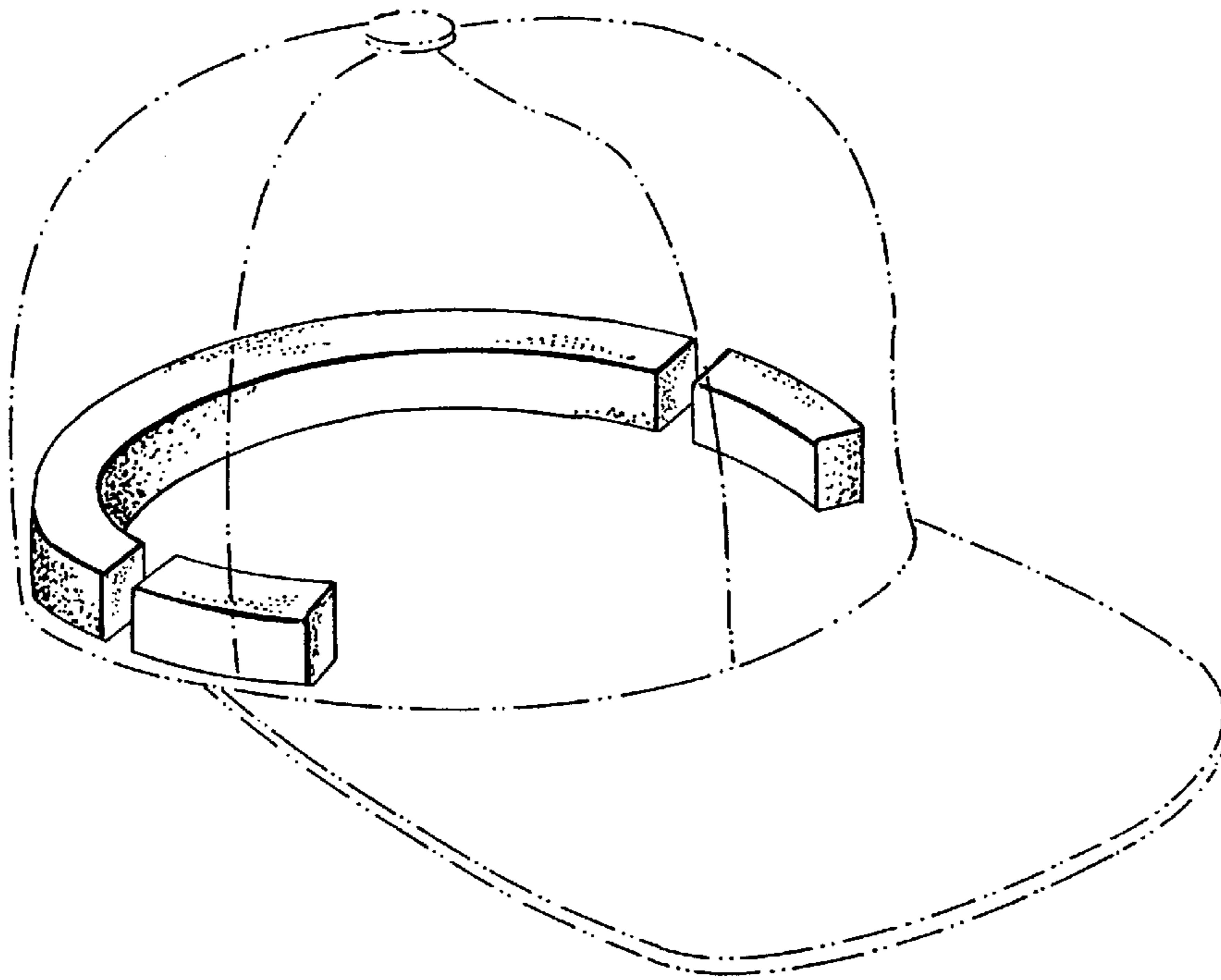
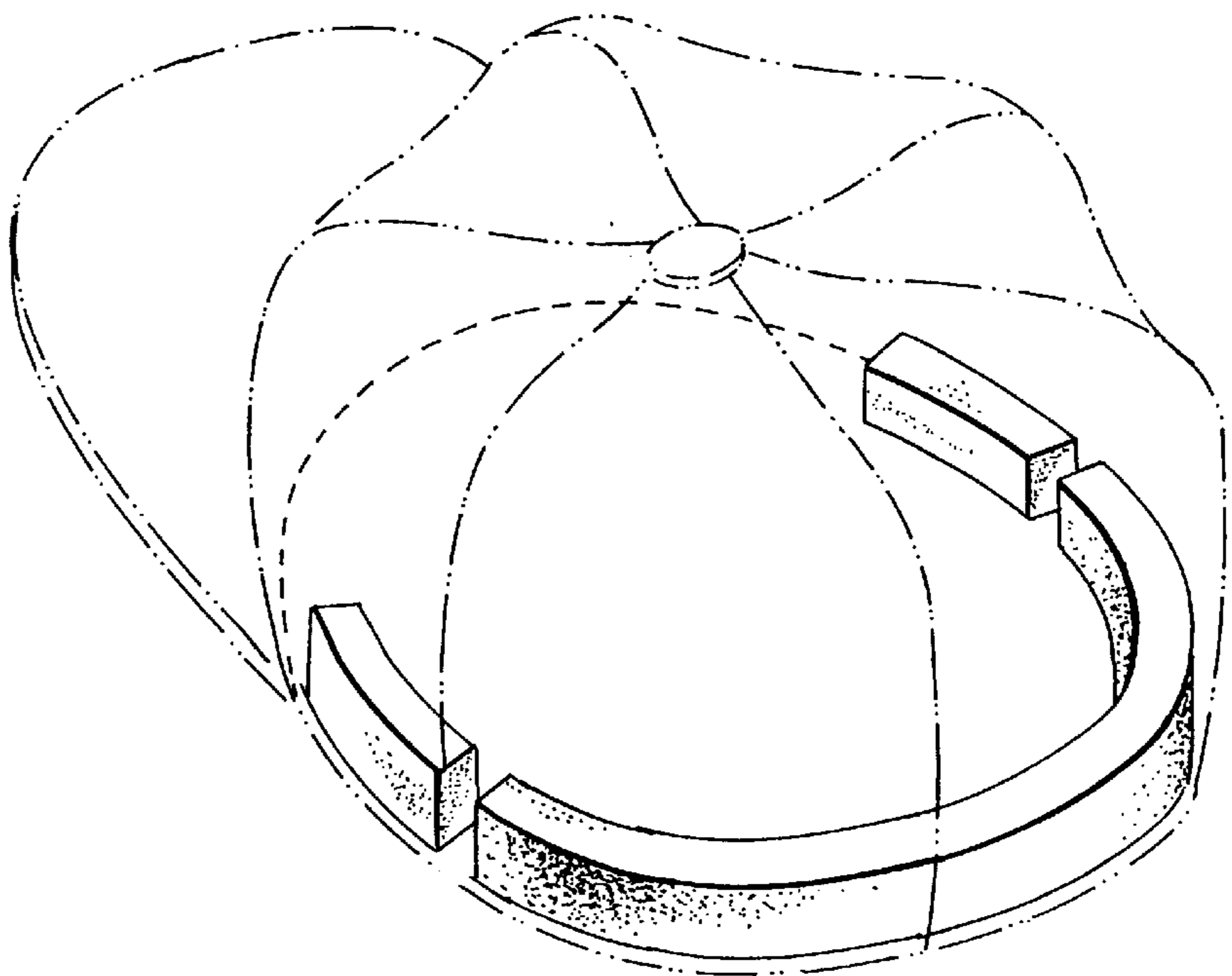


Fig. 1

Fig. 2



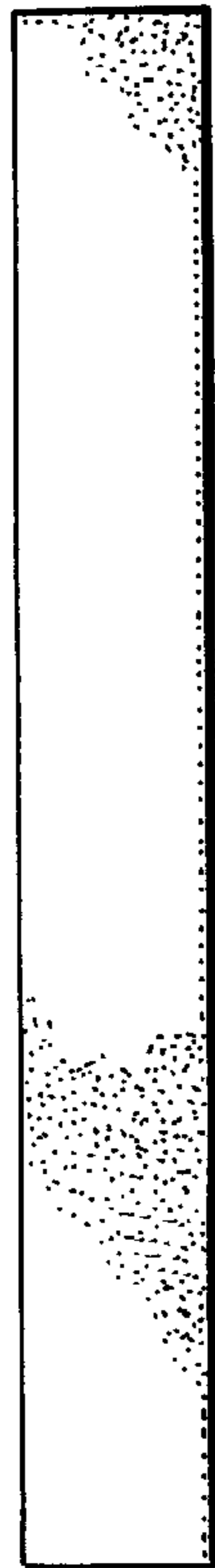
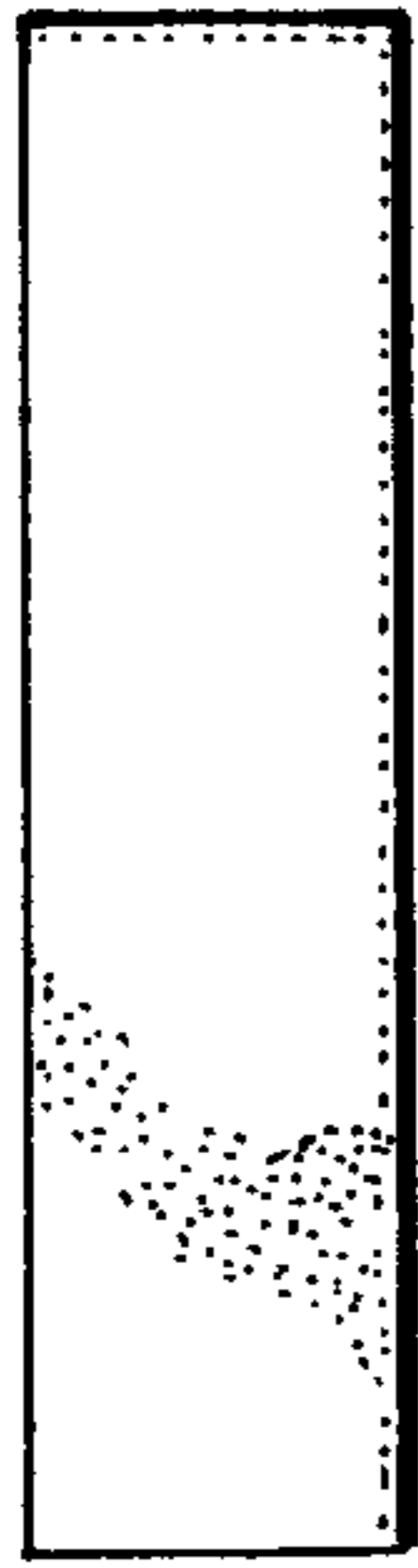
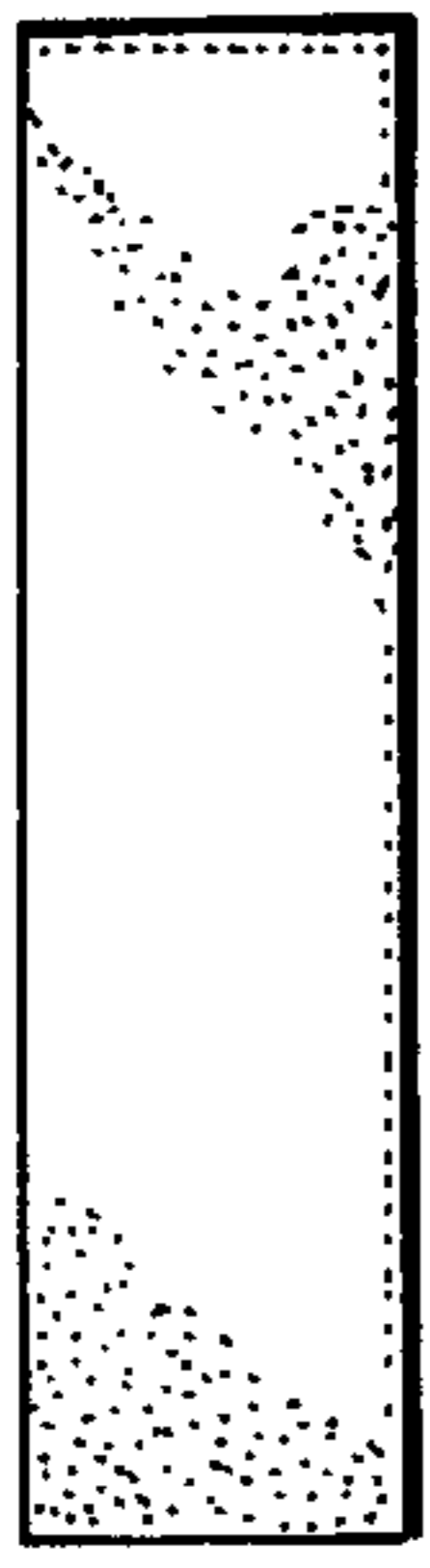


Fig. 3

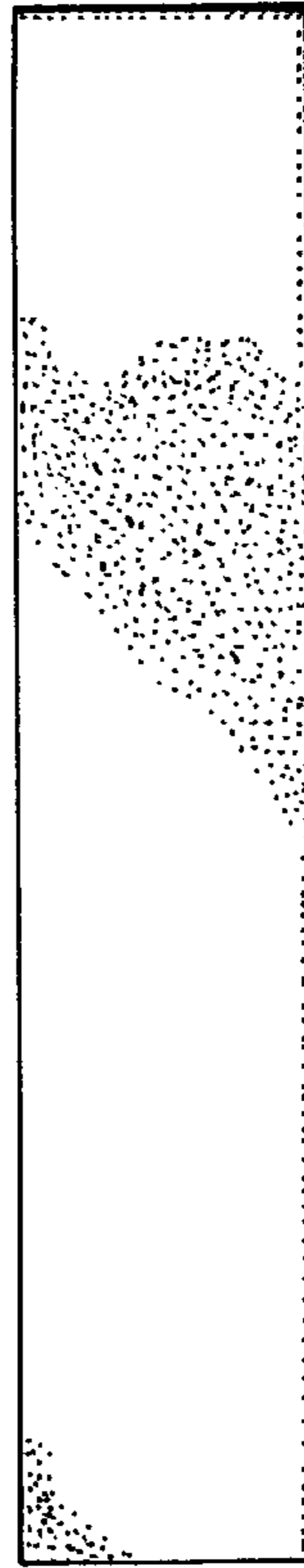
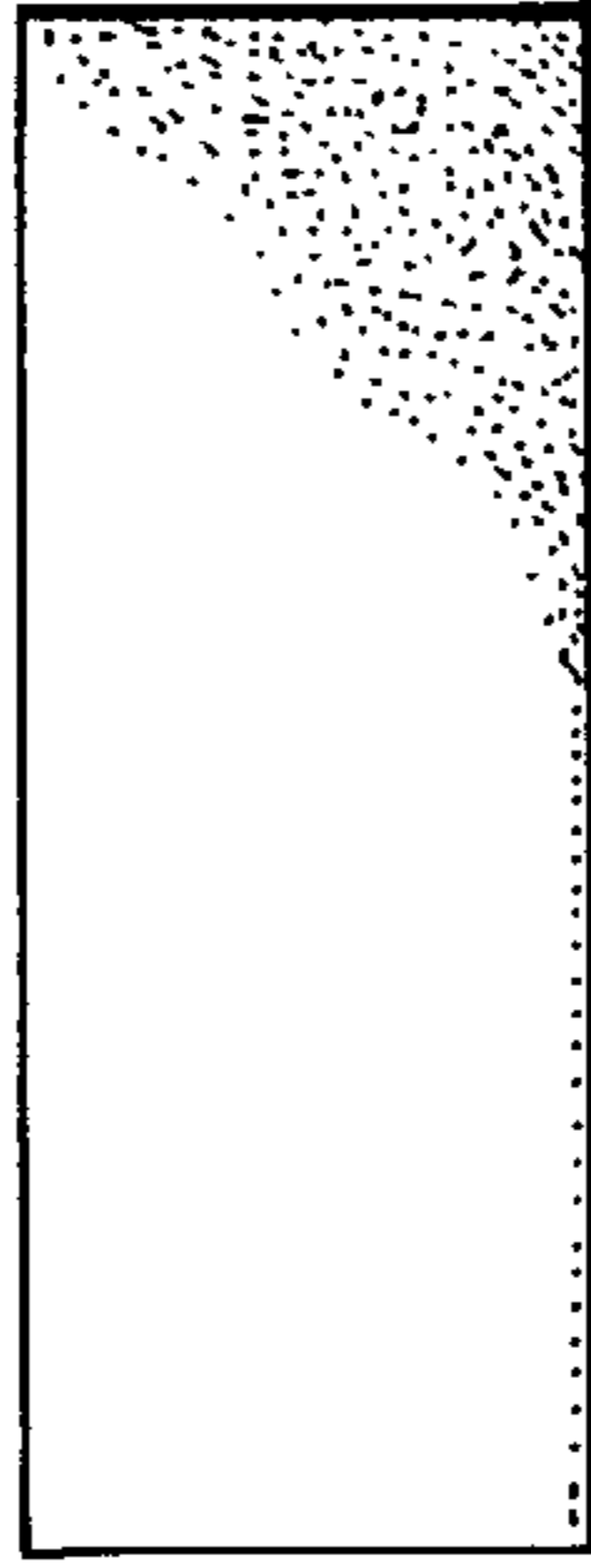
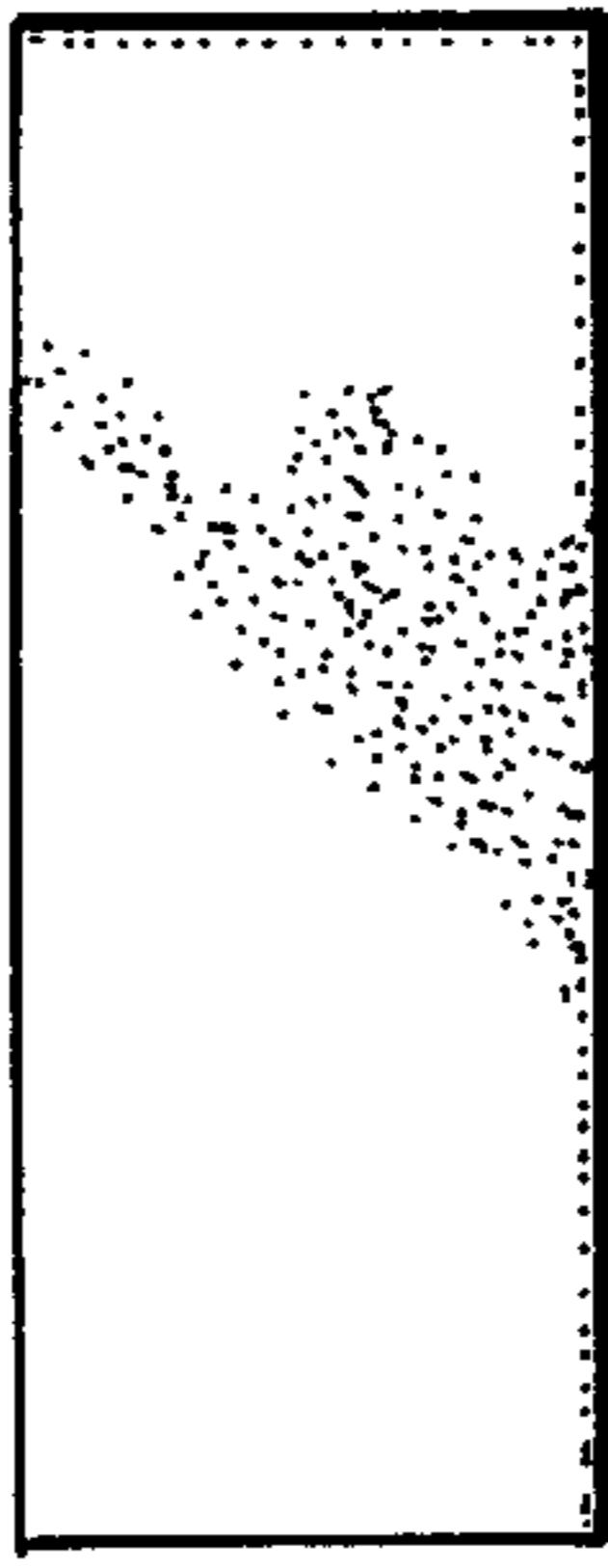


Fig. 4

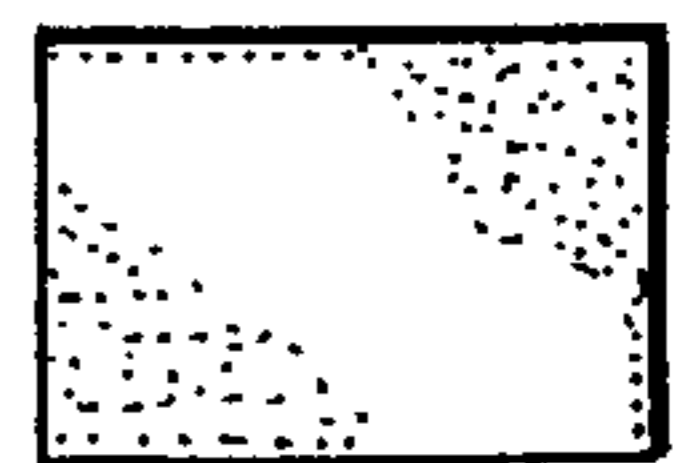


Fig. 5