



US00D437471S

(12) **United States Design Patent**  
**Harris**

(10) **Patent No.:** **US D437,471 S**

(45) **Date of Patent:** **\*\* Feb. 13, 2001**

(54) **TIE**

3,206,765 \* 9/1965 Sherman ..... 2/144  
5,073,987 \* 12/1991 Crosier ..... 2/144  
5,806,098 \* 9/1998 McKinnon et al. .... 2/145

(75) **Inventor:** **Christopher John Harris**, 33 La  
Sordina, Rancho Santa Margarita, CA  
(US) 92688

**OTHER PUBLICATIONS**

Pizzuto & D'Alessandro, 101 Fabrics p. 24 Denim, 1952.\*

\* cited by examiner

(73) **Assignee:** **Christopher John Harris**, Rancho  
Santa Margarita, CA (US)

*Primary Examiner*—Paula A. Mortimer

(\*\*) **Term:** **14 Years**

(57) **CLAIM**

(21) **Appl. No.:** **29/098,377**

The ornamental design for a tie, as shown.

(22) **Filed:** **Dec. 28, 1998**

**DESCRIPTION**

(51) **LOC (7) Cl.** ..... **02-01**

The claimed tie is an ornamental tie to be worn with casual clothes.

(52) **U.S. Cl.** ..... **D2/605**

(58) **Field of Search** ..... D2/600, 602, 604,  
D2/605, 608, 609; 2/144, 145, 146, 148,  
149, 150, 153, 157, 247; D5/47, 49

FIG. 1 is a front view of a tie, as it would be worn, with belt loops and pocket showing my new design;

FIG. 2 is a full length frontal view thereof; and,

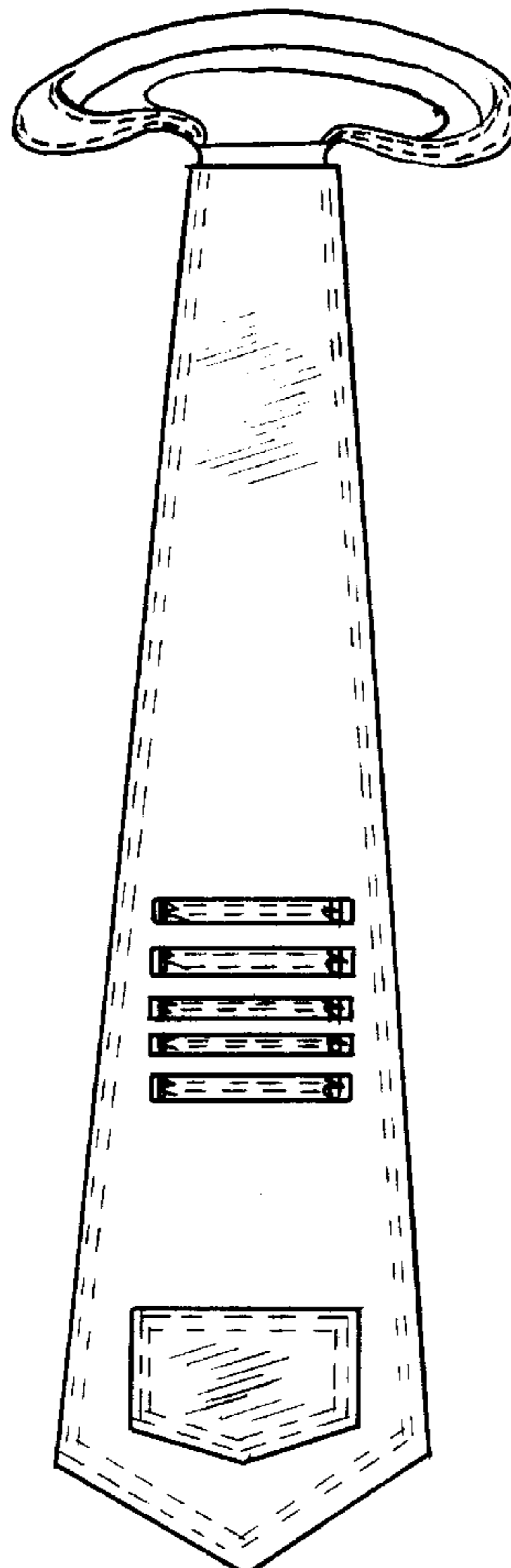
FIG. 3 detailed and enlarged so as to be easily and clearly seen view of the front ornamental aspect view.

(56) **References Cited**

**U.S. PATENT DOCUMENTS**

2,840,824 \* 7/1958 Horner ..... 2/247

**1 Claim, 2 Drawing Sheets**



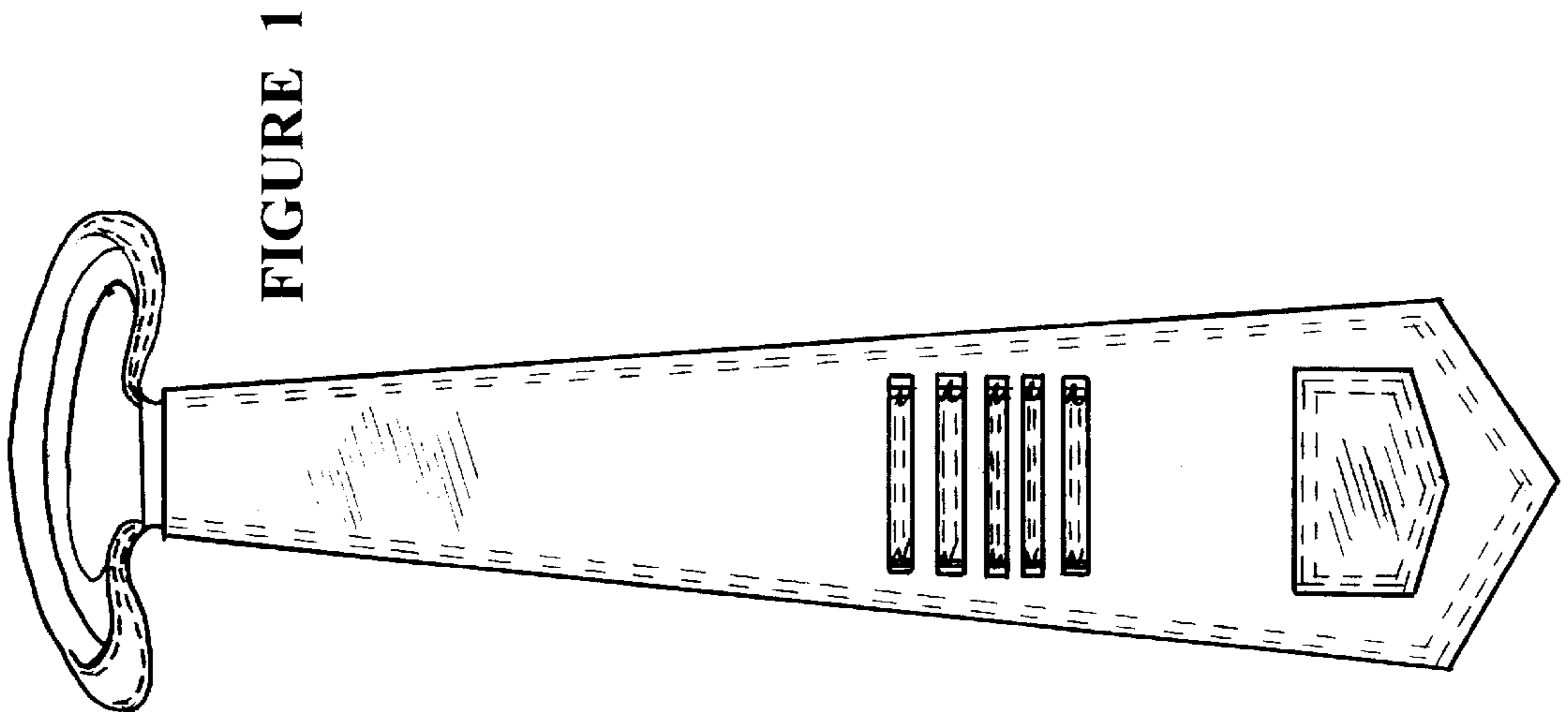


FIGURE 1

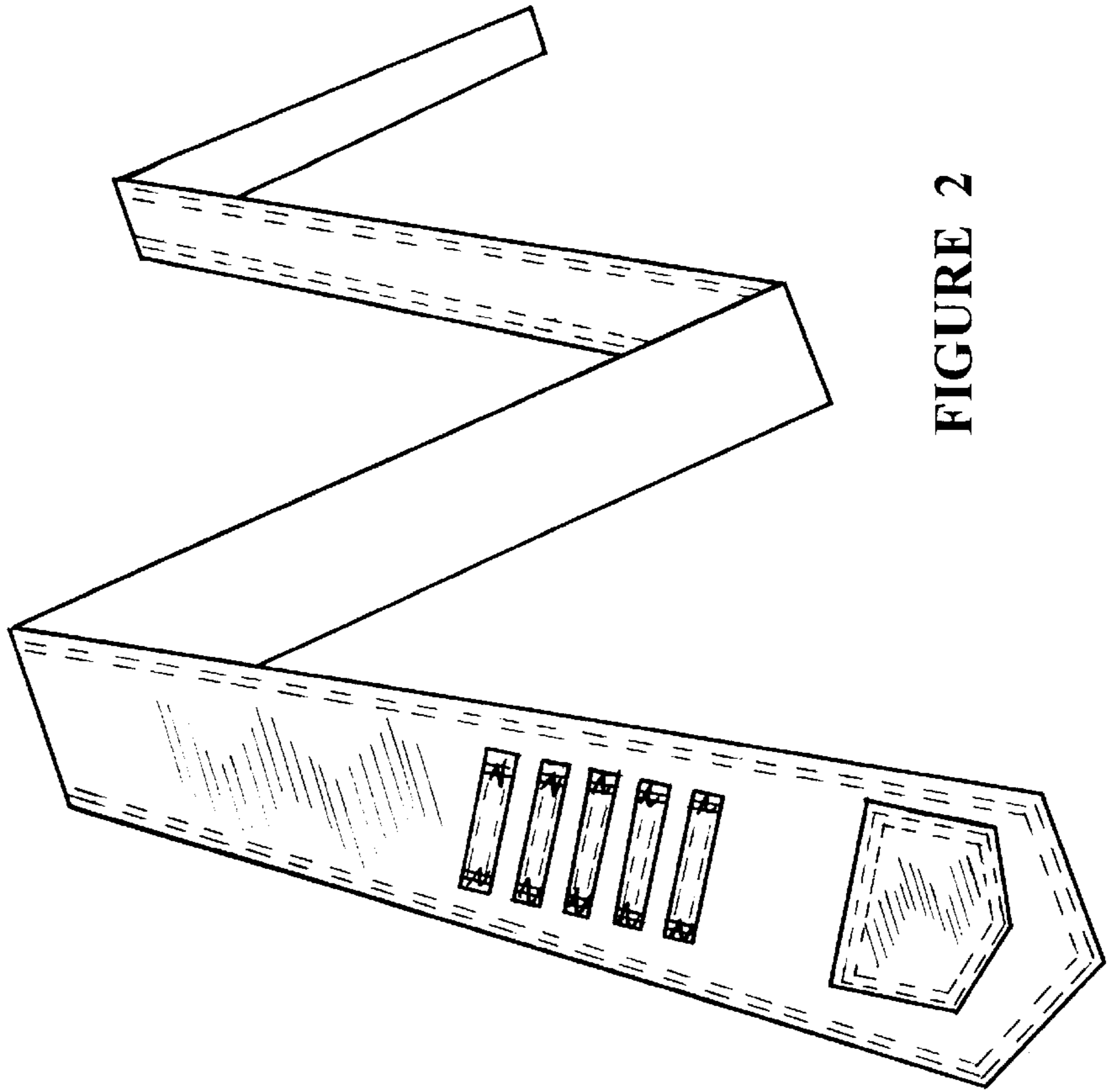


FIGURE 2

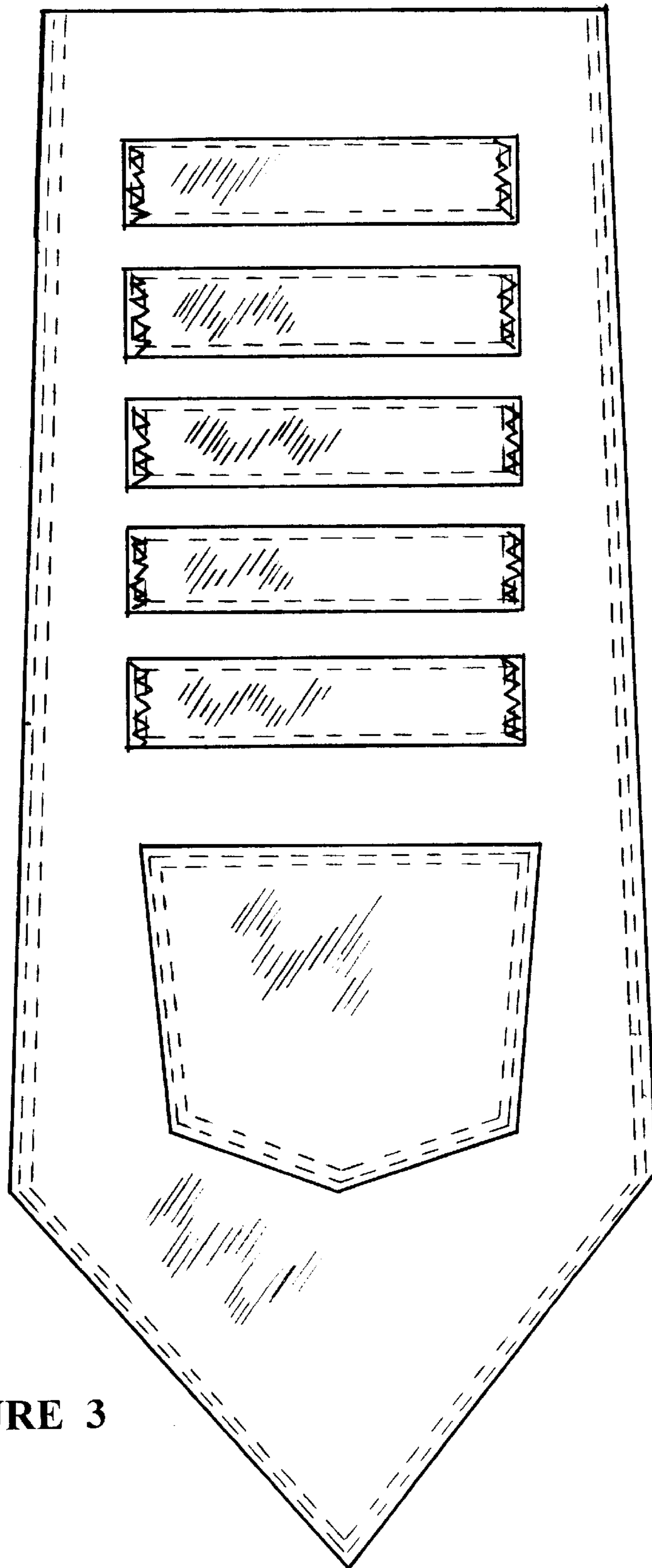


FIGURE 3