



US00D437469S

(12) **United States Design Patent**  
**Nottingham et al.**

(10) **Patent No.:** **US D437,469 S**

(45) **Date of Patent:** **\*\* Feb. 6, 2001**

(54) **COIN HANDLING DEVICE**

(75) Inventors: **John R. Nottingham**, Hunting Valley;  
**William J. Knox, Jr.**, Painesville; **John W. Spirk**, Gates Mills; **Nicholas E. Stanca**; **Douglas A. Gall**, both of Westlake, all of OH (US)

(73) Assignee: **Mag-Nif Incorporated**, Cleveland, OH (US)

(\*\*) Term: **14 Years**

(21) Appl. No.: **29/110,365**

(22) Filed: **Sep. 3, 1999**

**Related U.S. Application Data**

(63) Continuation-in-part of application No. 09/244,937, filed on Feb. 4, 1999.

(51) **LOC (7) Cl.** ..... **99-00**

(52) **U.S. Cl.** ..... **D99/34**

(58) **Field of Search** ..... D99/34, 35, 36, D99/37; D20/7, 9; D18/3; 446/8, 10; 453/9, 12, 13, 58, 59, 60, 61, 62; 221/186; 194/242

(56) **References Cited**

**U.S. PATENT DOCUMENTS**

- D. 223,292 \* 4/1972 Brewster ..... D18/3
- D. 283,075 \* 3/1986 Spirk, Jr. et al. .... D99/34
- D. 359,152 \* 6/1995 Adams et al. .... D99/34
- D. 393,531 \* 4/1998 Perkitny ..... D99/35
- 1,509,950 9/1924 Hedrick .
- 3,135,270 \* 6/1964 Arnold ..... 453/9

- 3,844,297 \* 10/1974 Lautzenhiser ..... 453/9
- 3,997,045 \* 12/1976 Yeung ..... 446/8
- 4,560,086 12/1985 Stol .
- 4,607,648 8/1986 Hough .
- 4,787,873 11/1988 Borrmann et al. .
- 4,987,990 \* 1/1991 Perkitny ..... 194/242
- 5,474,496 12/1995 Perkitny .
- 5,827,117 10/1998 Naas .
- 5,976,006 \* 11/1999 Snyder ..... 453/9

**OTHER PUBLICATIONS**

Mag-Nif Makes it in the U.S.A.!—Banks, Games & Puzzles, Just for Fun! catalog (Front Cover, pp. 1–14 and Back Cover) (1998).

\* cited by examiner

*Primary Examiner*—Paula A. Mortimer

(74) *Attorney, Agent, or Firm*—Fay, Sharpe, Fagan, Minnich & McKee, LLP

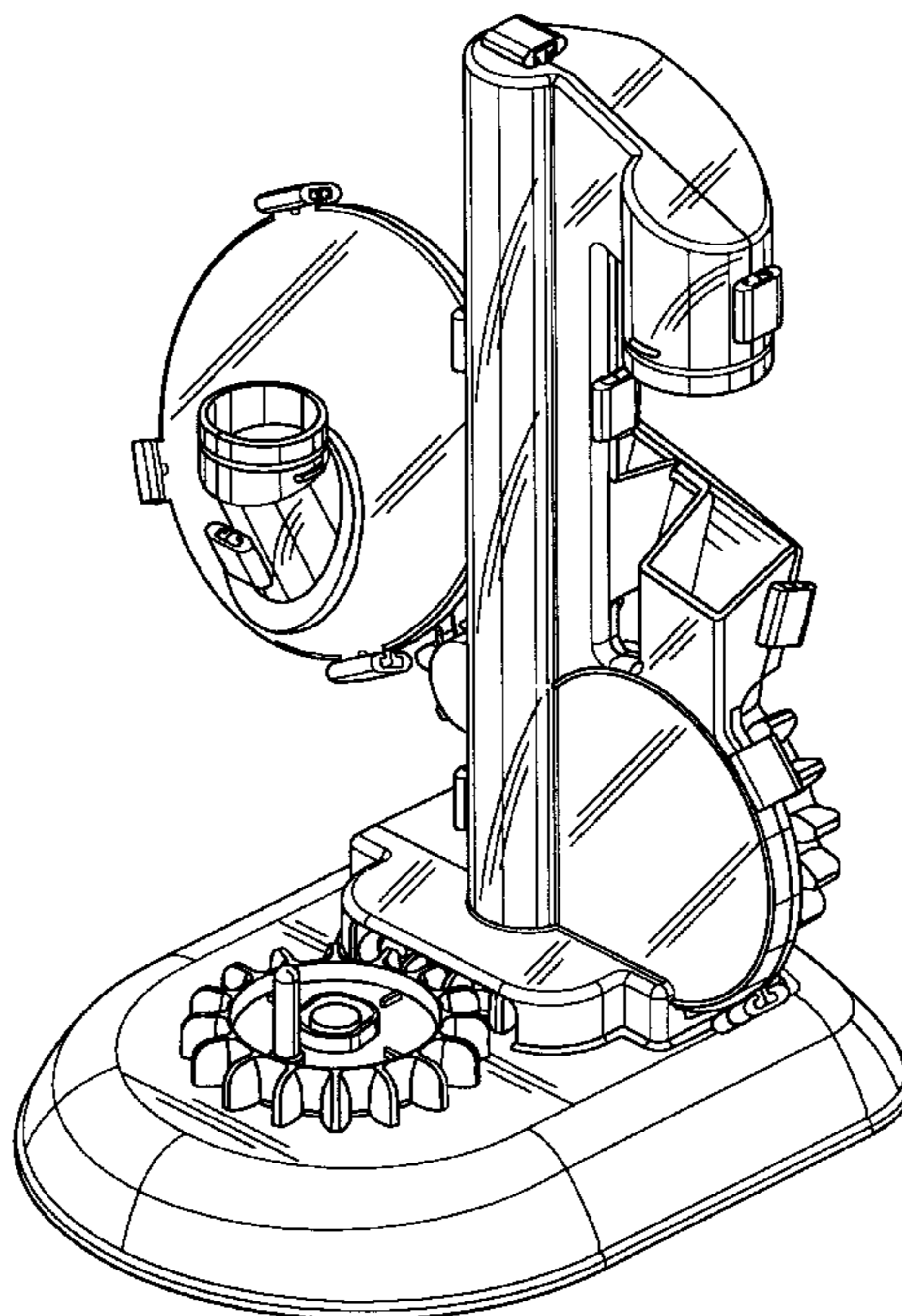
(57) **CLAIM**

The ornamental design for a coin handling device, as shown.

**DESCRIPTION**

FIG. 1 is a perspective view of a coin handling device showing our new design;  
FIG. 2 is a front elevational view thereof;  
FIG. 3 is a rear elevational view thereof;  
FIG. 4 is a left side elevational view thereof;  
FIG. 5 is a right side elevational view thereof;  
FIG. 6 is a top plan view thereof; and,  
FIG. 7 is a bottom plan view thereof.

**1 Claim, 5 Drawing Sheets**



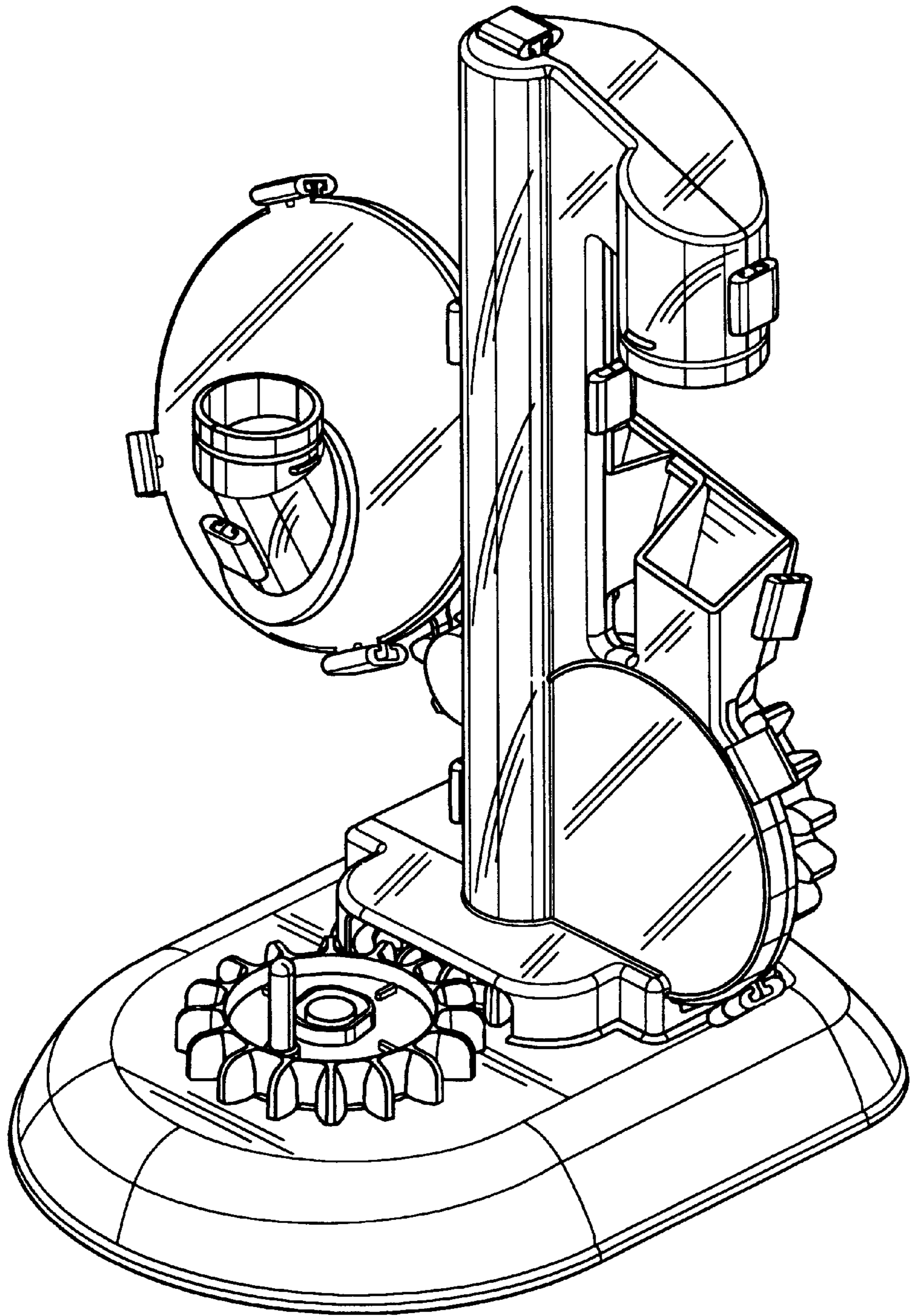


FIG. 1

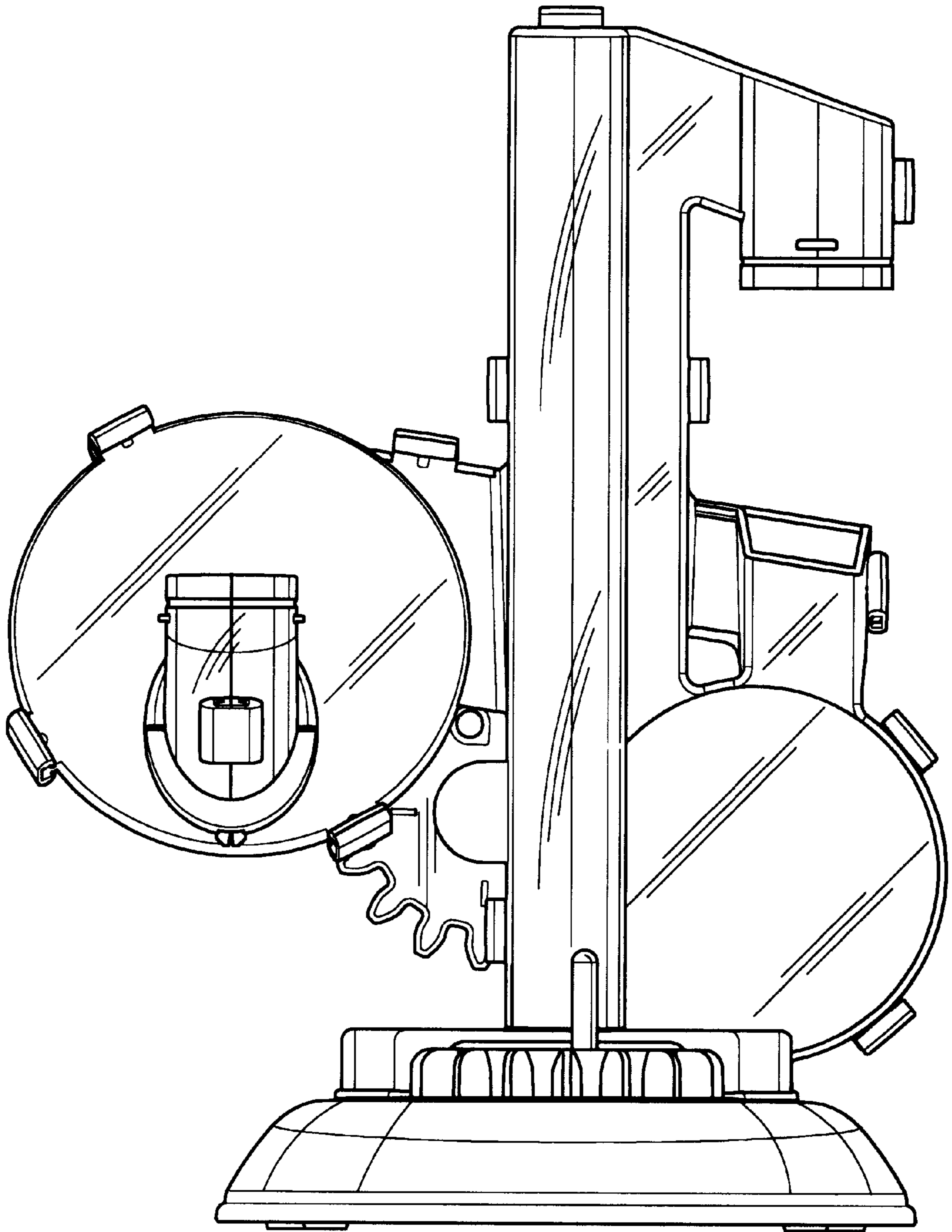


FIG.2

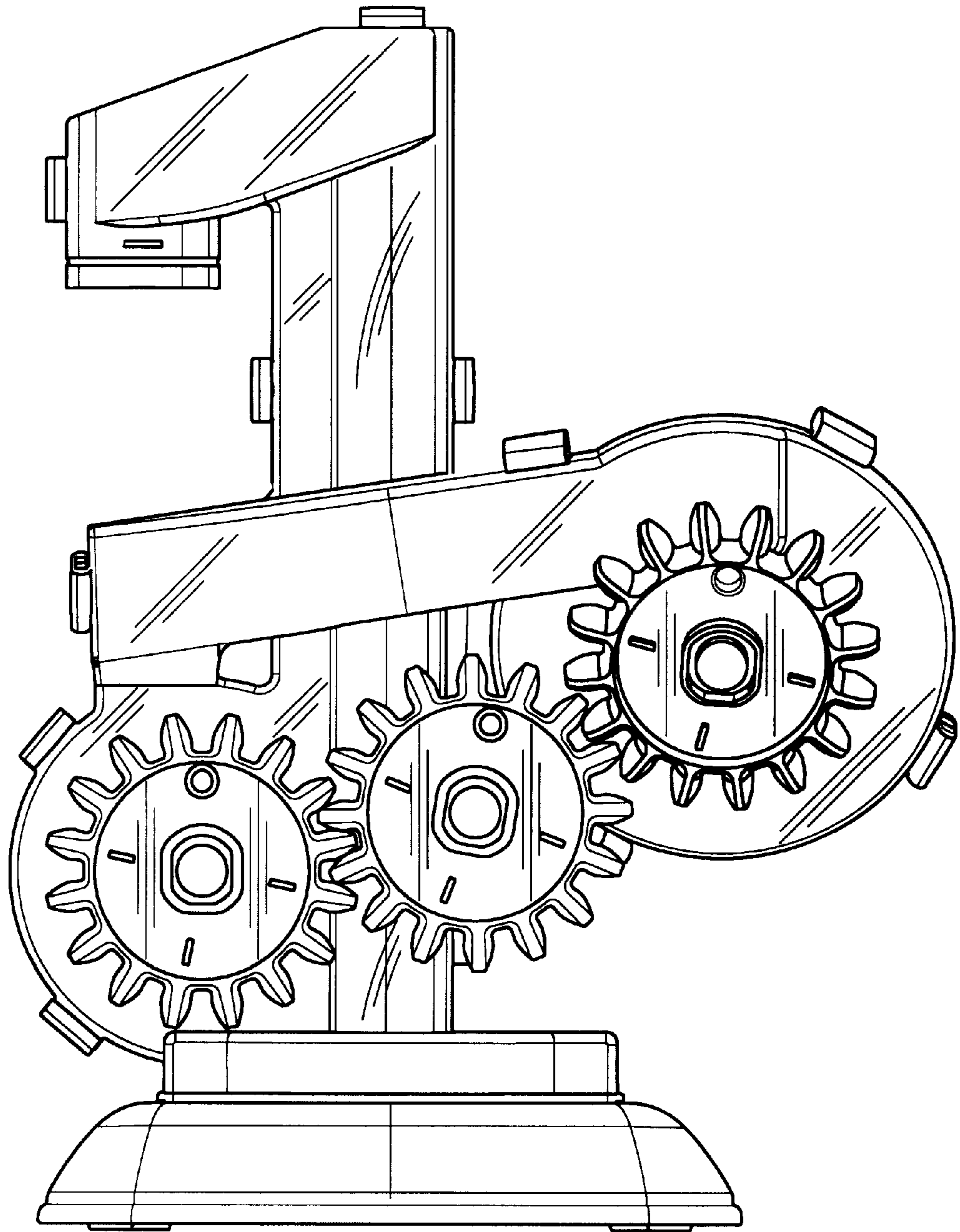


FIG. 3

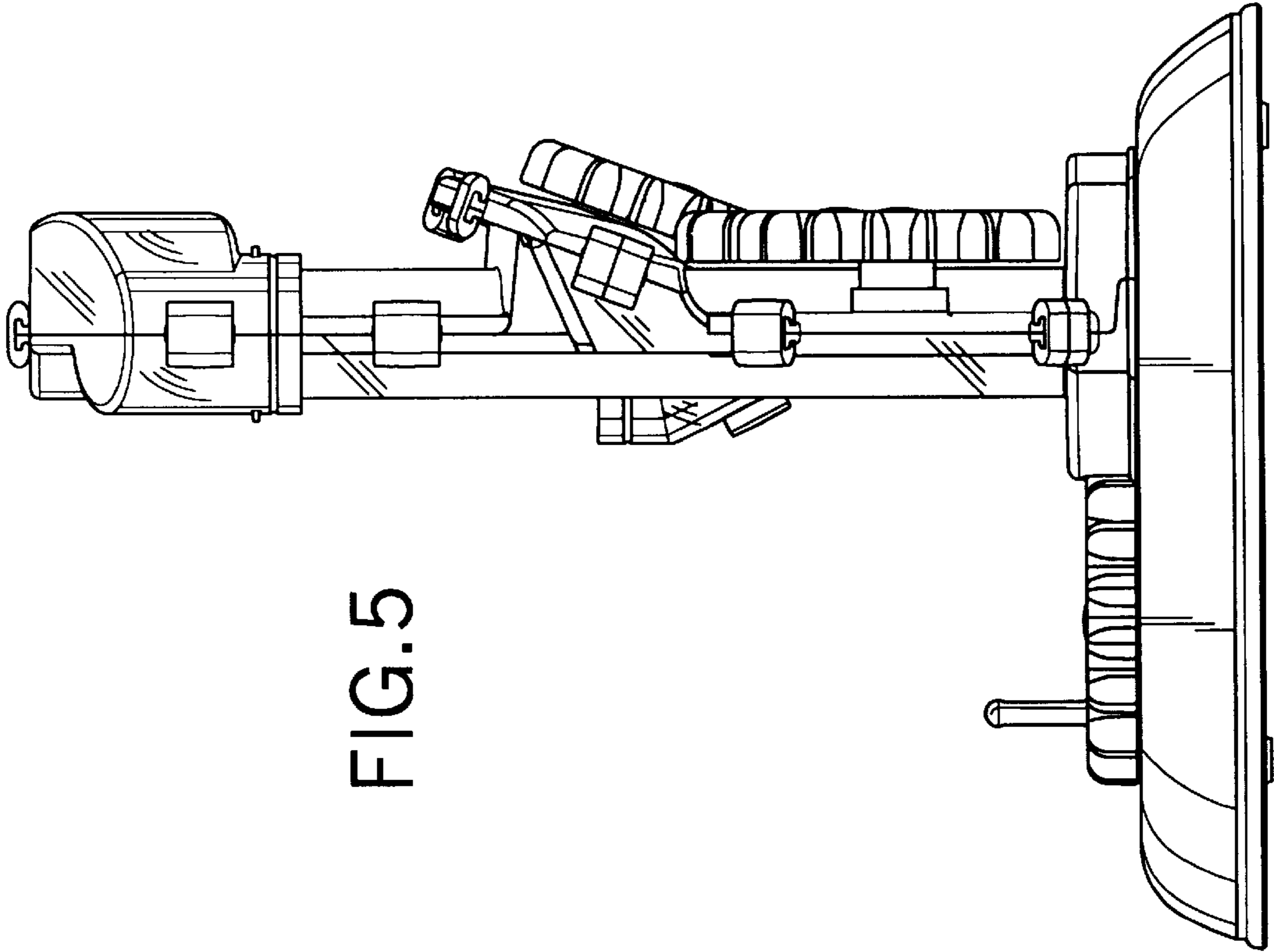


FIG. 5

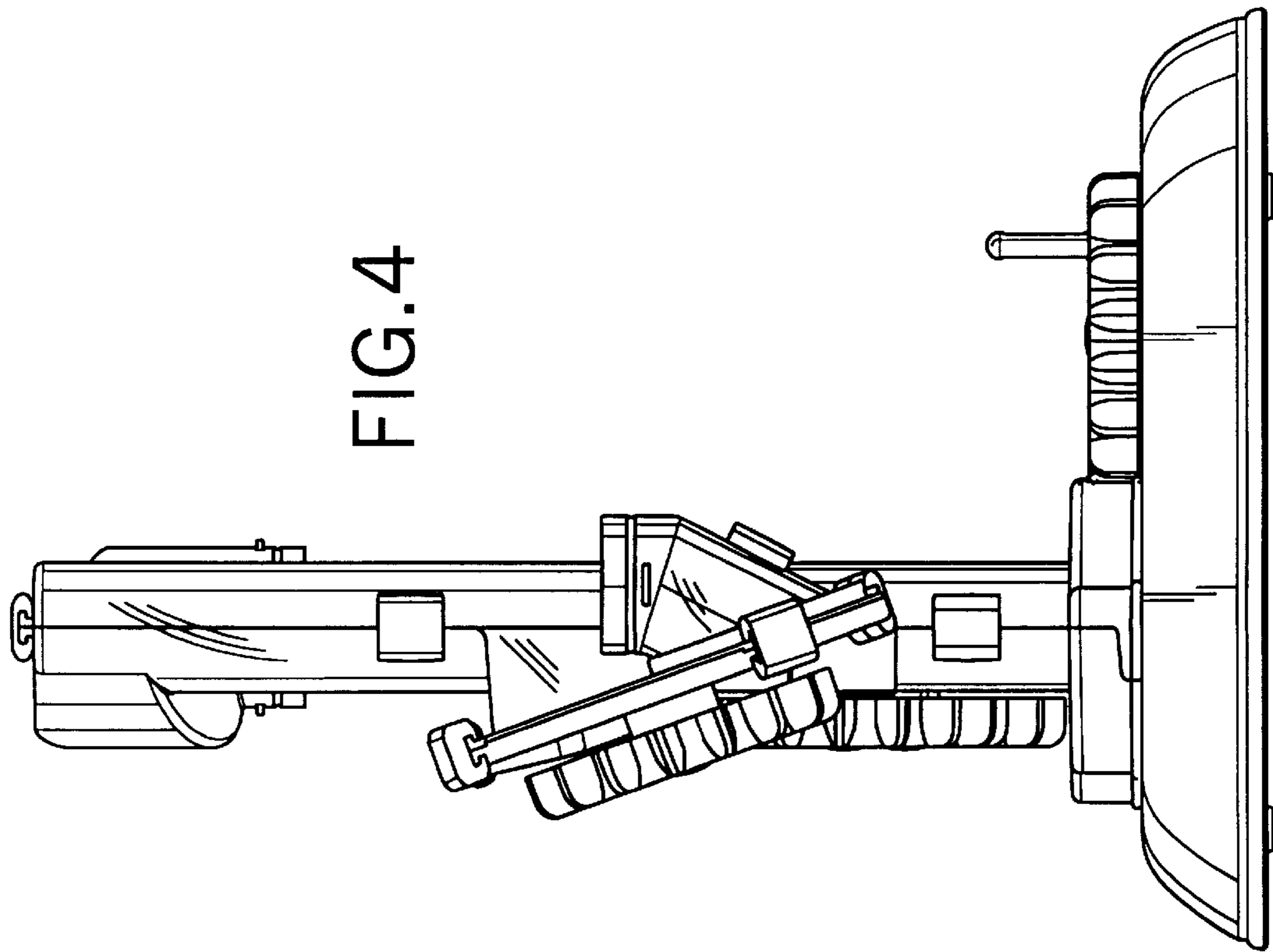


FIG. 4

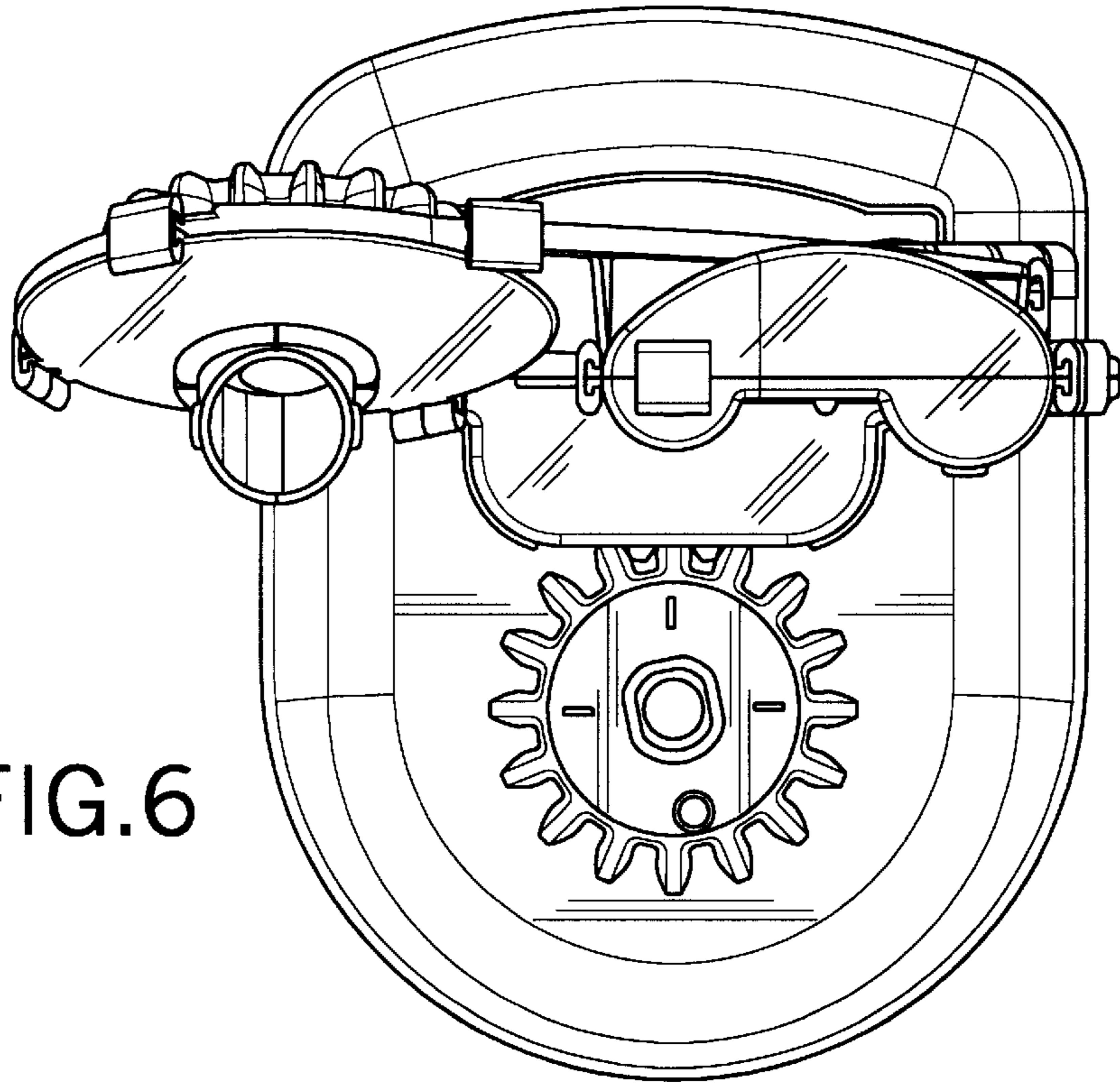


FIG. 6

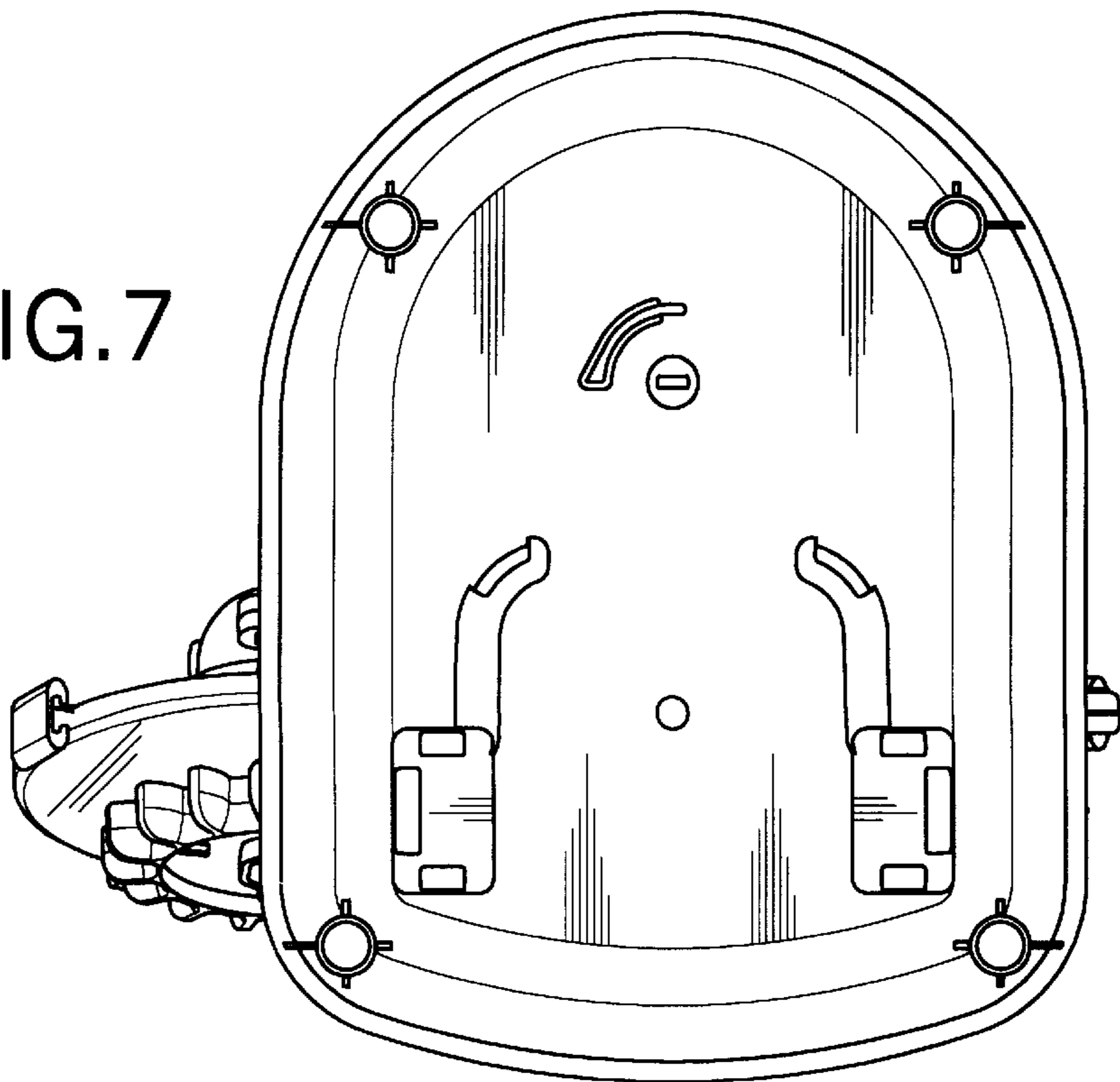


FIG. 7