



US00D437467S

(12) **United States Design Patent**
Steadman

(10) **Patent No.:** **US D437,467 S**

(45) **Date of Patent:** **** Feb. 6, 2001**

(54) **BATH LIFT**

(76) **Inventor:** **William David Steadman**, 2145 SW.
Oakwater Pointe, Palm City, FL (US)
34990

(**) **Term:** **14 Years**

(21) **Appl. No.:** **29/088,265**

(22) **Filed:** **May 19, 1998**

(30) **Foreign Application Priority Data**

Dec. 11, 1997 (GB) 2071071

(51) **LOC (7) Cl.** **12-05**

(52) **U.S. Cl.** **D34/33**; 4/560.1; D34/28

(58) **Field of Search** D34/33, 37; 182/152;
414/343; 187/200; 4/555, 559, 560.1, 564.1,
571.1, 572.1, 573.1, 578.1

(56) **References Cited**

U.S. PATENT DOCUMENTS

- D. 216,523 * 1/1970 Hasty et al. D34/33
- D. 384,468 * 9/1997 Tobias D34/28
- 693,300 * 2/1902 Muller 4/555
- 3,400,410 * 9/1968 Sallinger 4/559
- 5,168,585 * 12/1992 Cox 4/560.1
- 5,267,360 * 12/1993 Bassil et al. 4/560.1

- 5,297,300 * 3/1994 Sheu 4/572.1
- 5,406,655 * 4/1995 Sahlin 4/572.1
- 5,448,787 * 9/1995 Allen 4/559

* cited by examiner

Primary Examiner—Cynthia E Ramirez
(74) *Attorney, Agent, or Firm*—Watts, Hoffmann, Fisher &
Heinke Co., L.P.A.

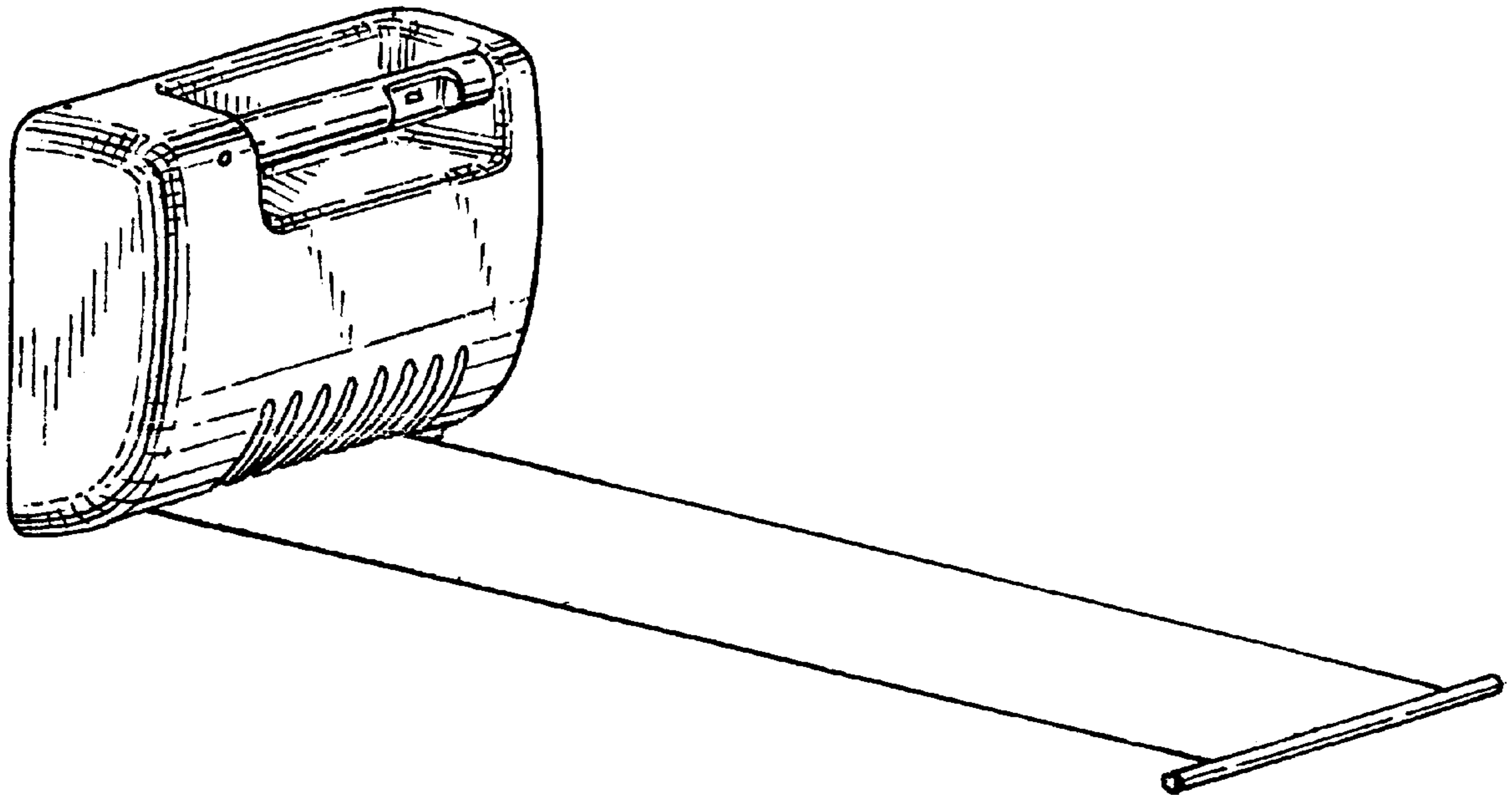
(57) **CLAIM**

The ornamental design for a bath lift, as shown and described.

DESCRIPTION

FIG. 1 is a perspective view from above, one side and front, with band extended of the bath lift;
 FIG. 2 is a perspective view from above, one side and front, with band retracted, of the bath lift of FIG. 1;
 FIG. 3 is a perspective view from above, other side and front, with band retracted, of the bath lift of FIG. 1;
 FIG. 4 is a side view with band retracted of the bath lift of FIG. 1, the other side being a mirror image thereof;
 FIG. 5 is a view from below with band retracted of the bath lift of FIG. 1; and,
 FIG. 6 is a front view with band retracted of the bath lift of FIG. 1.

1 Claim, 2 Drawing Sheets



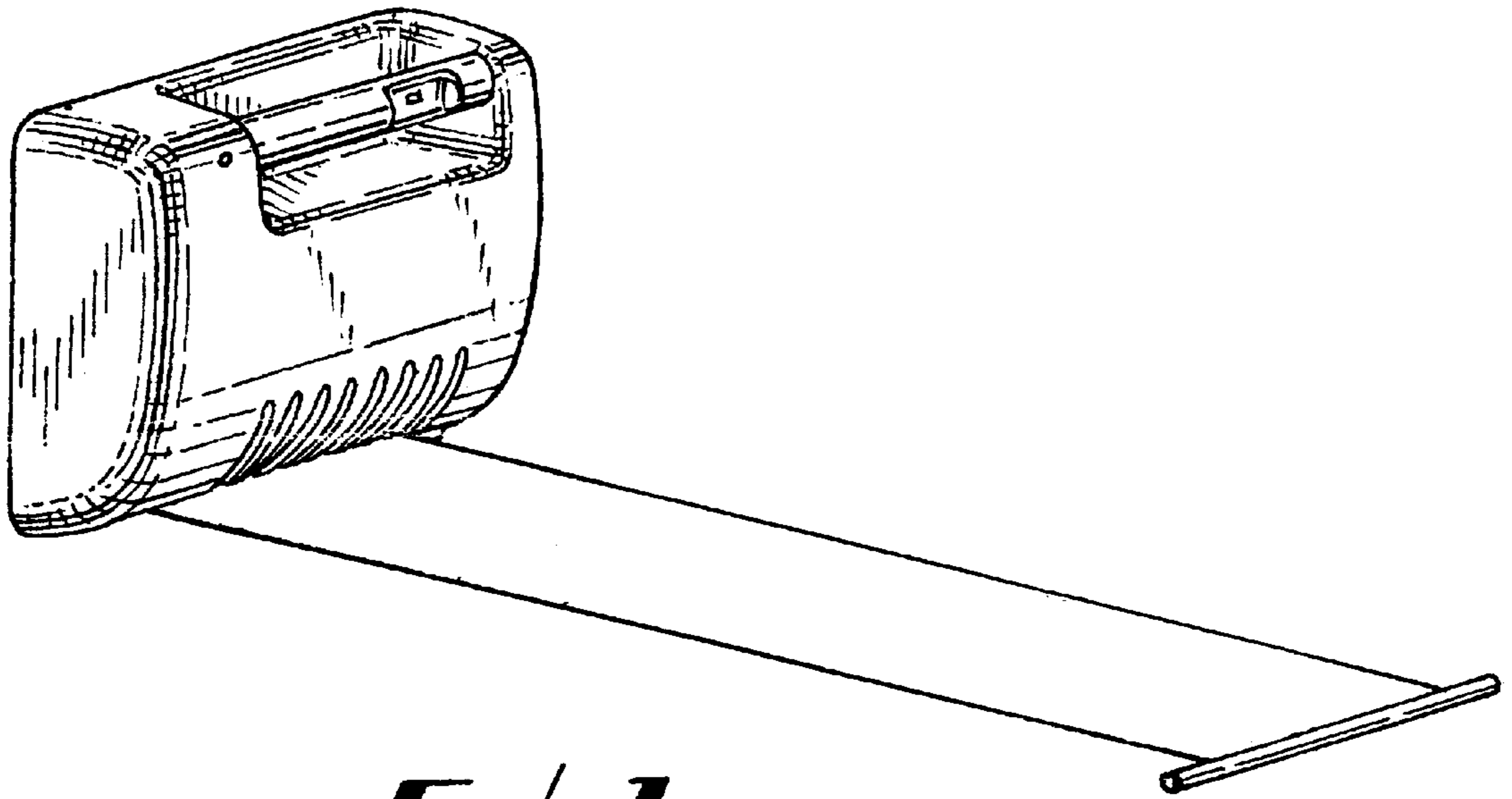


FIG. 1

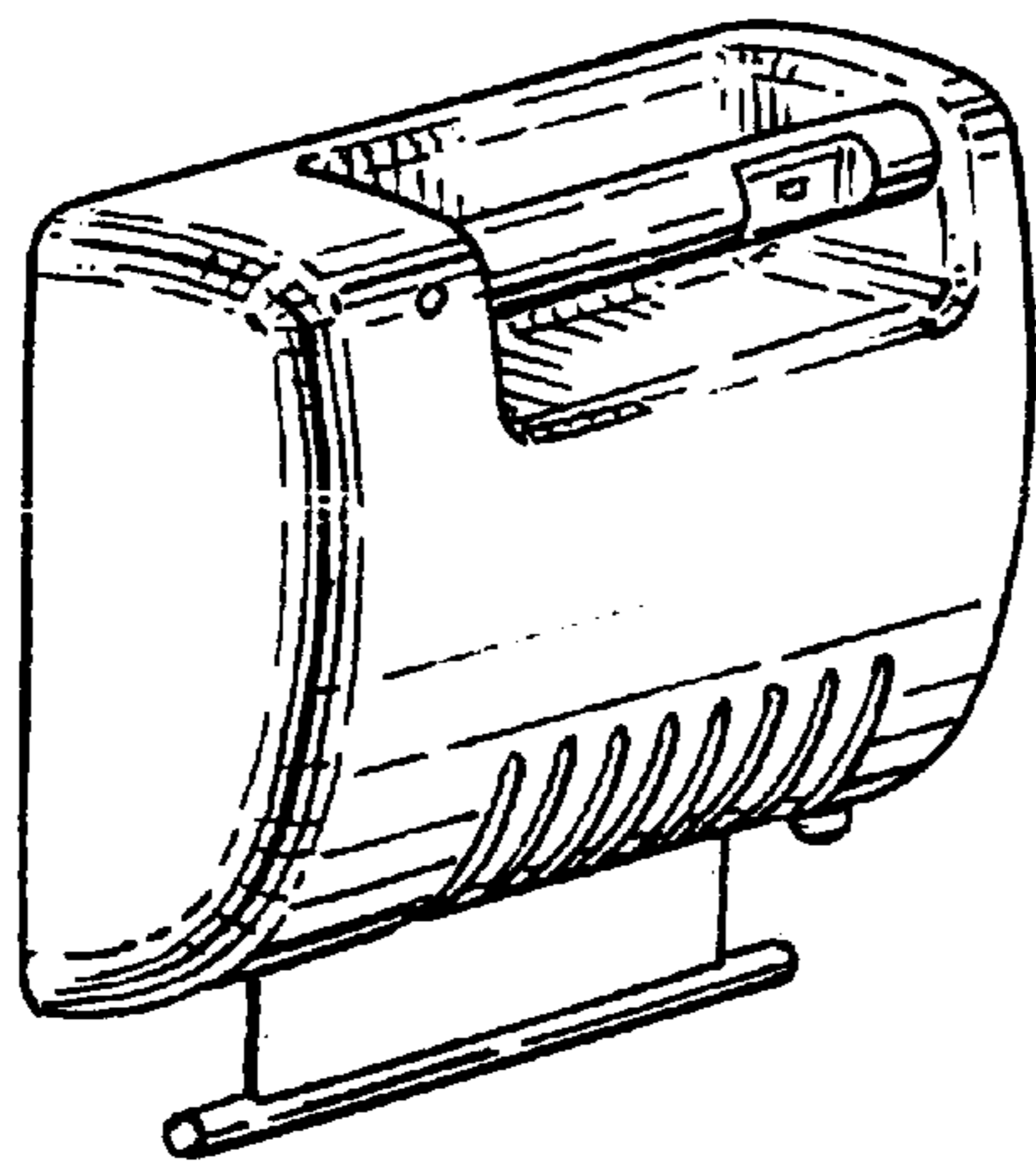


FIG. 2

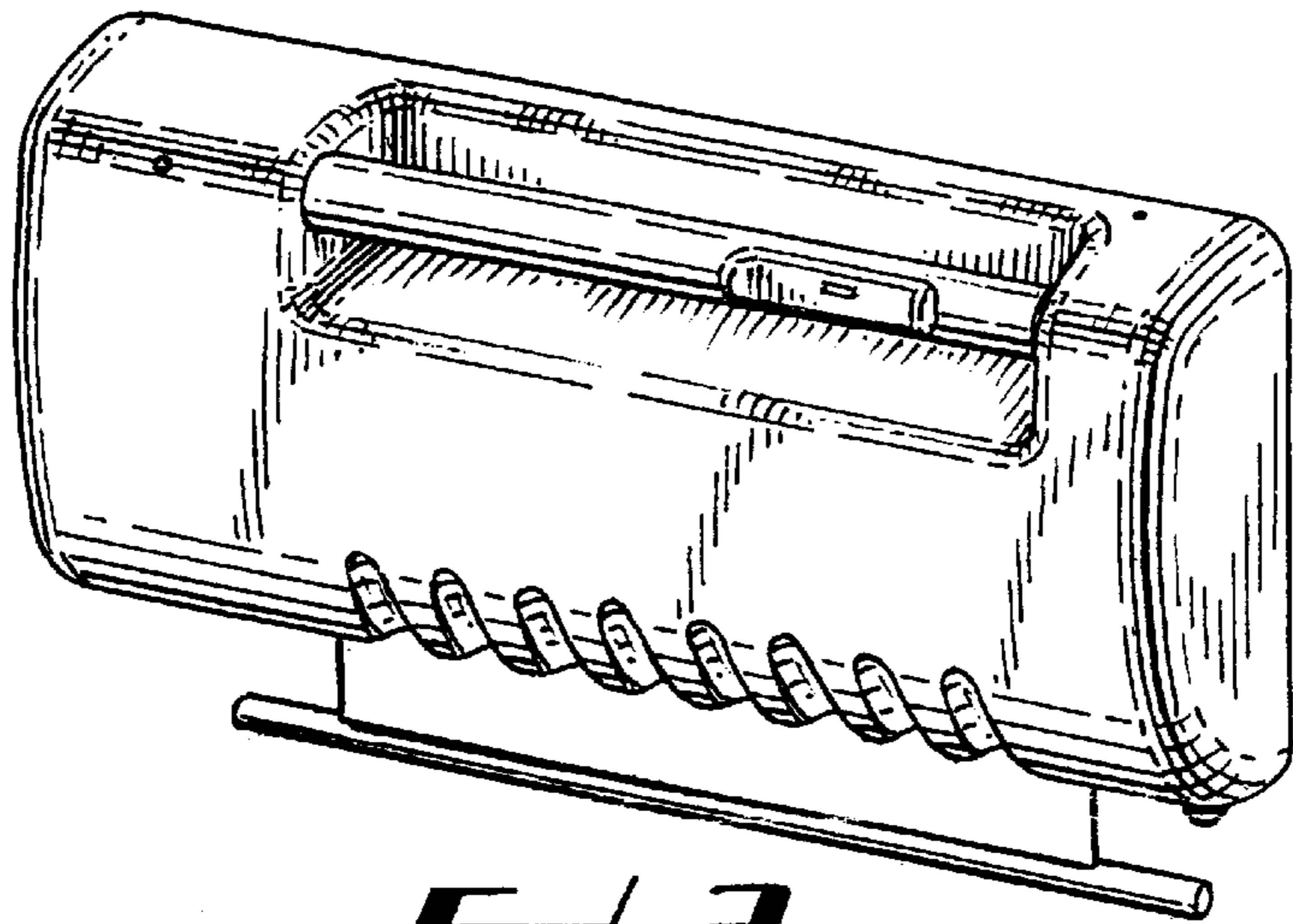


FIG. 3



FIG. 4

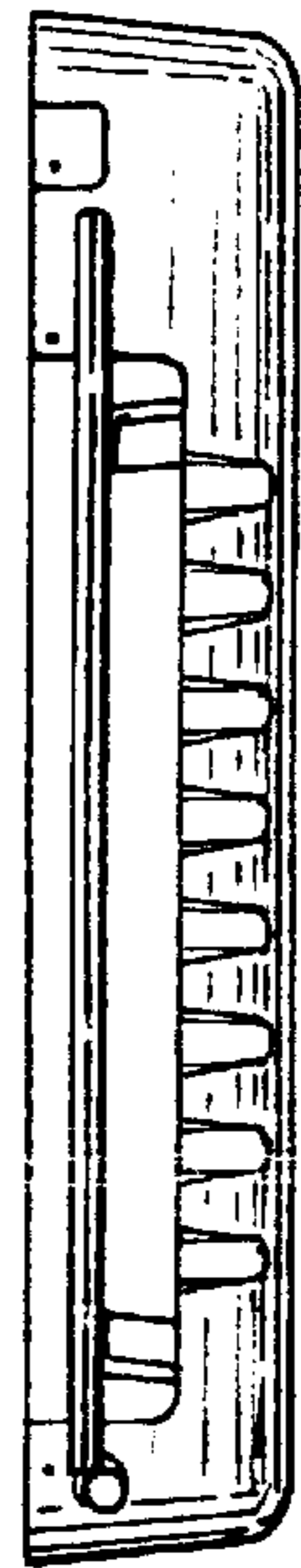


FIG. 5

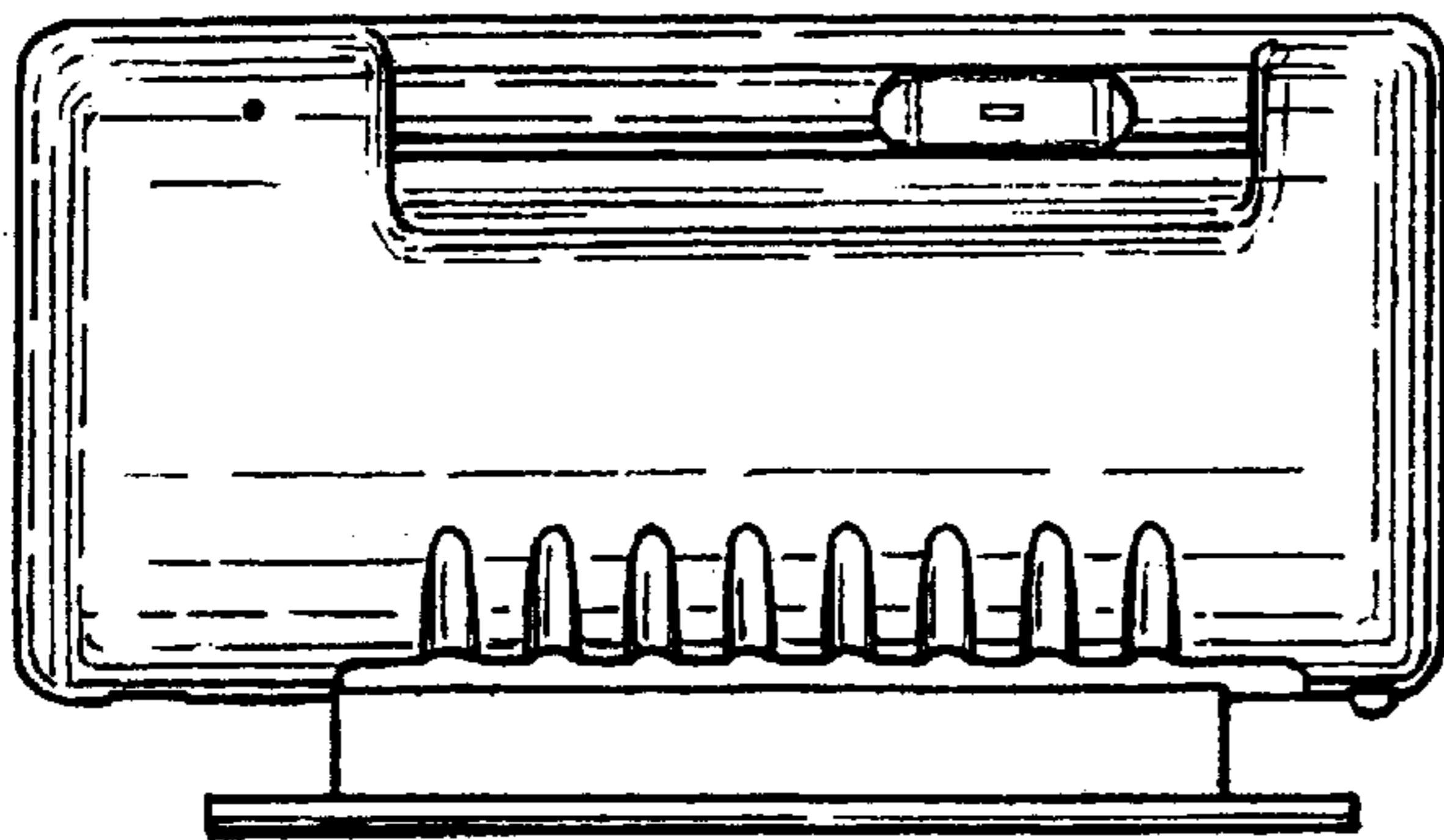


FIG. 6