



US00D437466S

(12) **United States Design Patent**
Song

(10) **Patent No.:** **US D437,466 S**

(45) **Date of Patent:** **** Feb. 6, 2001**

(54) **FILTER CAP FOR ELECTRIC CLEANER**

4,179,768 * 12/1979 Sawyer 15/352
5,660,493 * 8/1997 Stephens 15/328

(76) Inventor: **Seung-Wook Song**, 5-103 Kaepo
1-cha Woosung Apt., 503 Daechi-dong,
Kangnam-gu, Seoul (KR), 135-280

* cited by examiner

(**) Term: **14 Years**

Primary Examiner—Mitchell Siegel

(74) *Attorney, Agent, or Firm*—R. Neil Sudol; Henry D. Coleman; William J. Sapone

(21) Appl. No.: **29/116,089**

(57) **CLAIM**

(22) Filed: **Dec. 27, 1999**

The ornamental design for a filter cap for electric cleaner, as shown and described.

(30) **Foreign Application Priority Data**

Dec. 27, 1996 (JP) 8-351689

DESCRIPTION

(51) **LOC (7) Cl.** **15-05**

FIG. 1 is a perspective view of a filter cap for electric cleaner showing my new design;

(52) **U.S. Cl.** **D32/25**

FIG. 2 is a front view thereof;

(58) **Field of Search** D32/23, 25; D23/365;

FIG. 3 is a rear view thereof;

15/323, 326, 327 R, 327 F, 327 B, 327 E,

FIG. 4 is a left-side view thereof;

352, 353, 347; 415/213.1

FIG. 5 is a right-side view thereof;

(56) **References Cited**

FIG. 6 is a top view thereof; and

U.S. PATENT DOCUMENTS

FIG. 7 is a bottom view thereof.

D. 287,895 * 1/1987 Berfield et al. D32/23

FIG. 8 is an exploded perspective view thereof; and,

D. 383,264 * 9/1997 Balz D32/30

FIG. 9 is a perspective view thereof, the broken line showing being for illustrative purposes only and forming no part of the claimed design.

D. 384,448 * 9/1997 Stephens et al. D32/23

D. 425,677 * 5/2000 Williamson D32/25

2,956,734 * 10/1960 Doyle 415/213.1

1 Claim, 6 Drawing Sheets

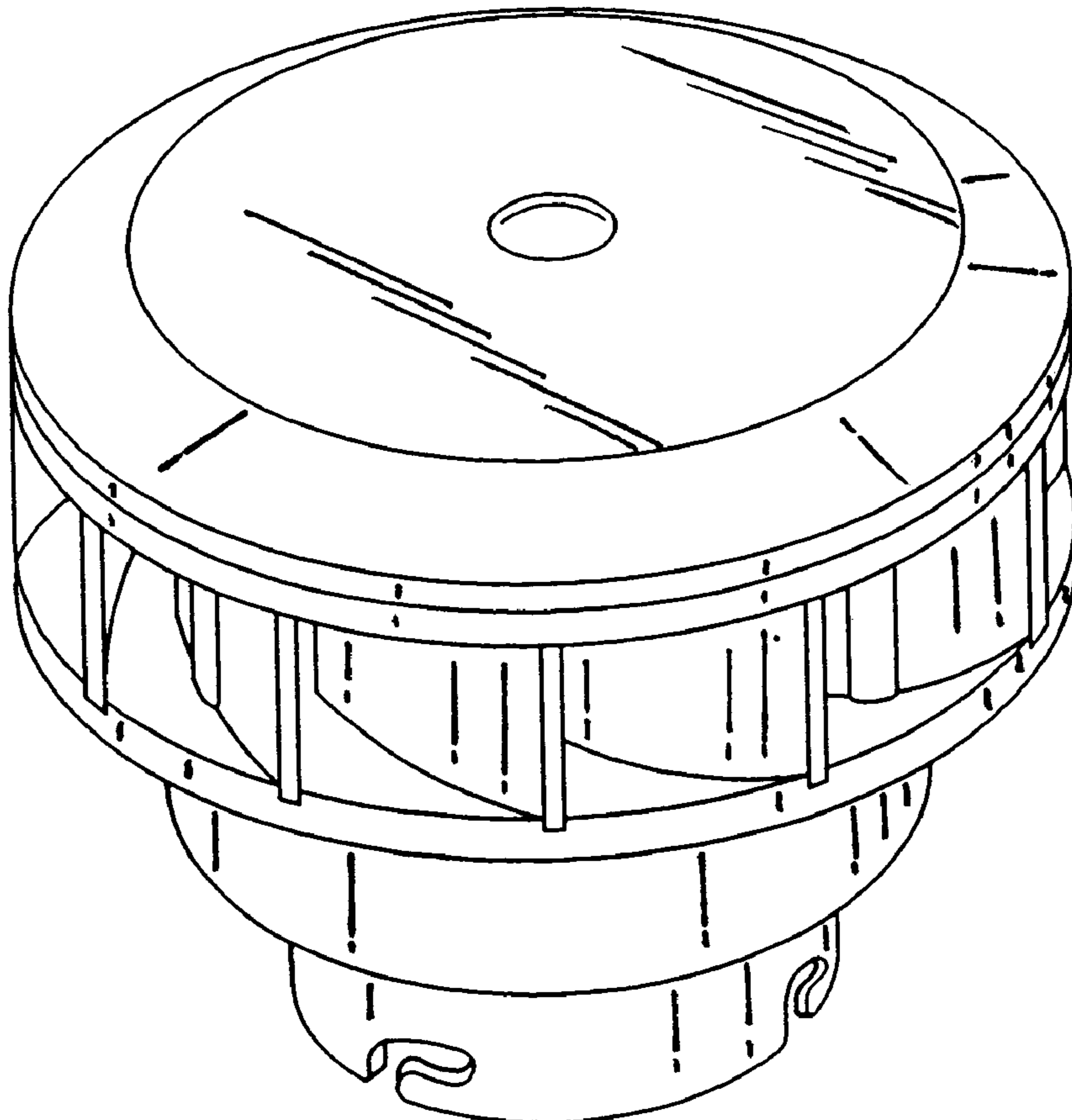


FIG. 1

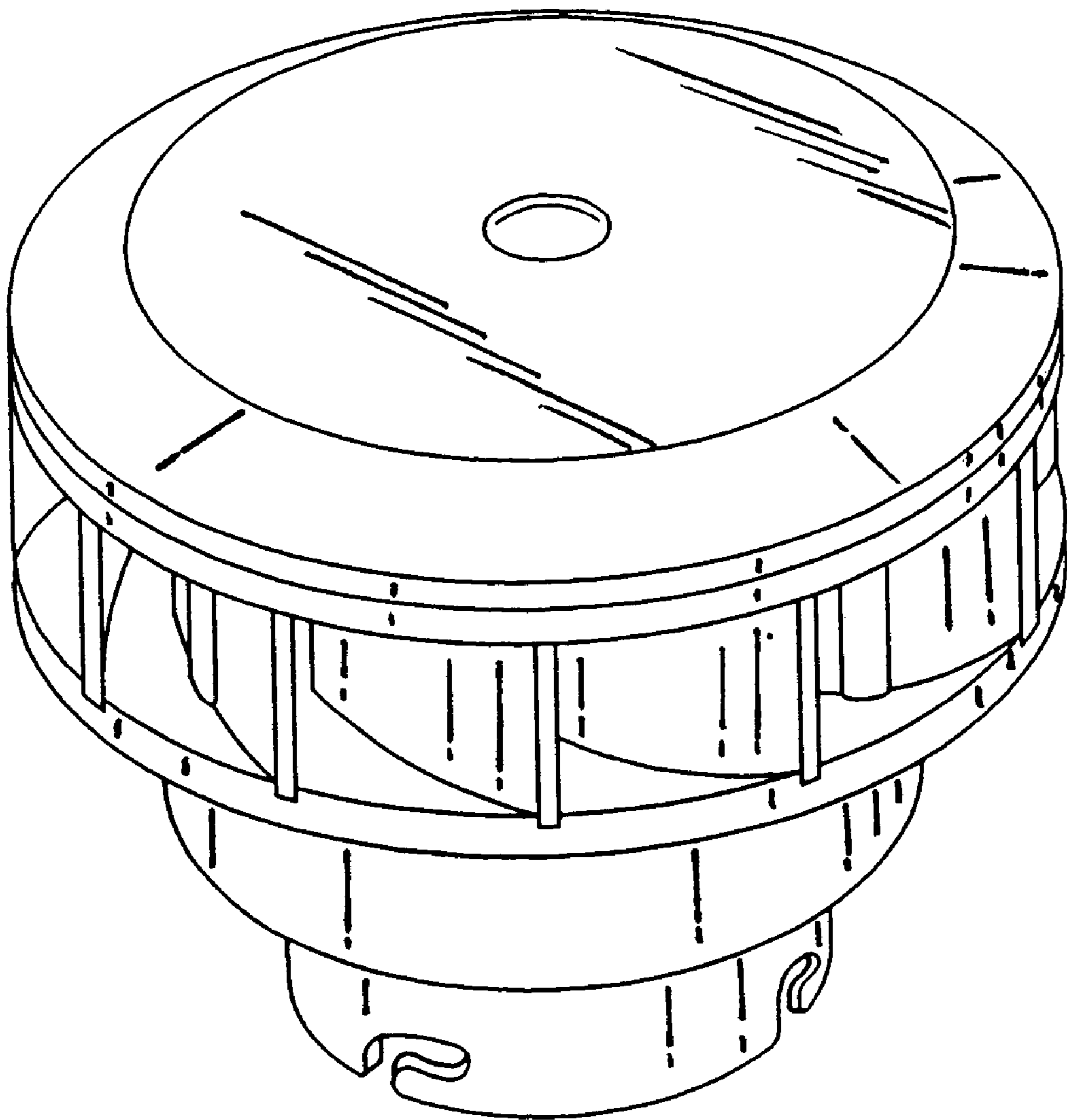


FIG. 2

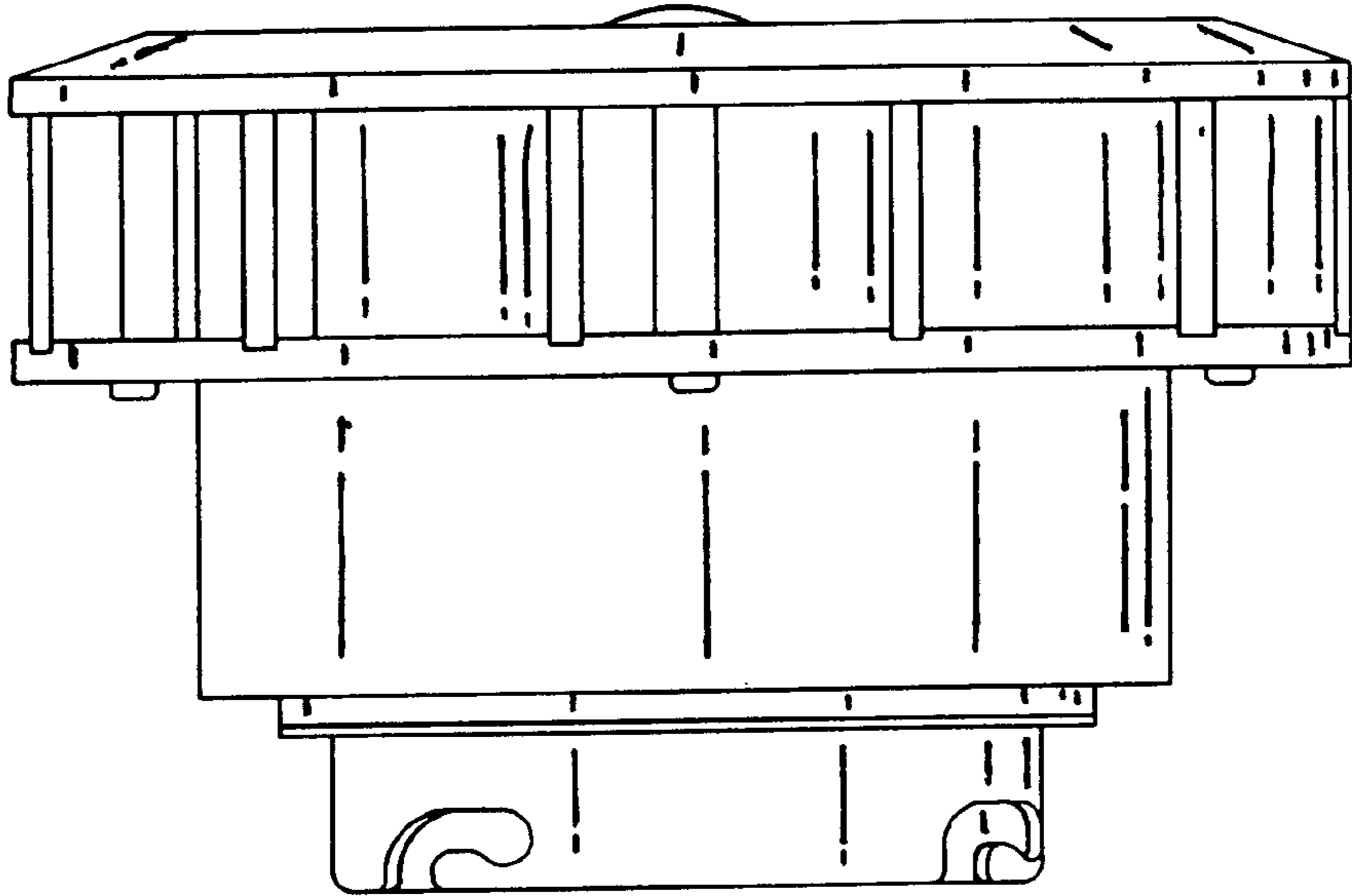


FIG. 3

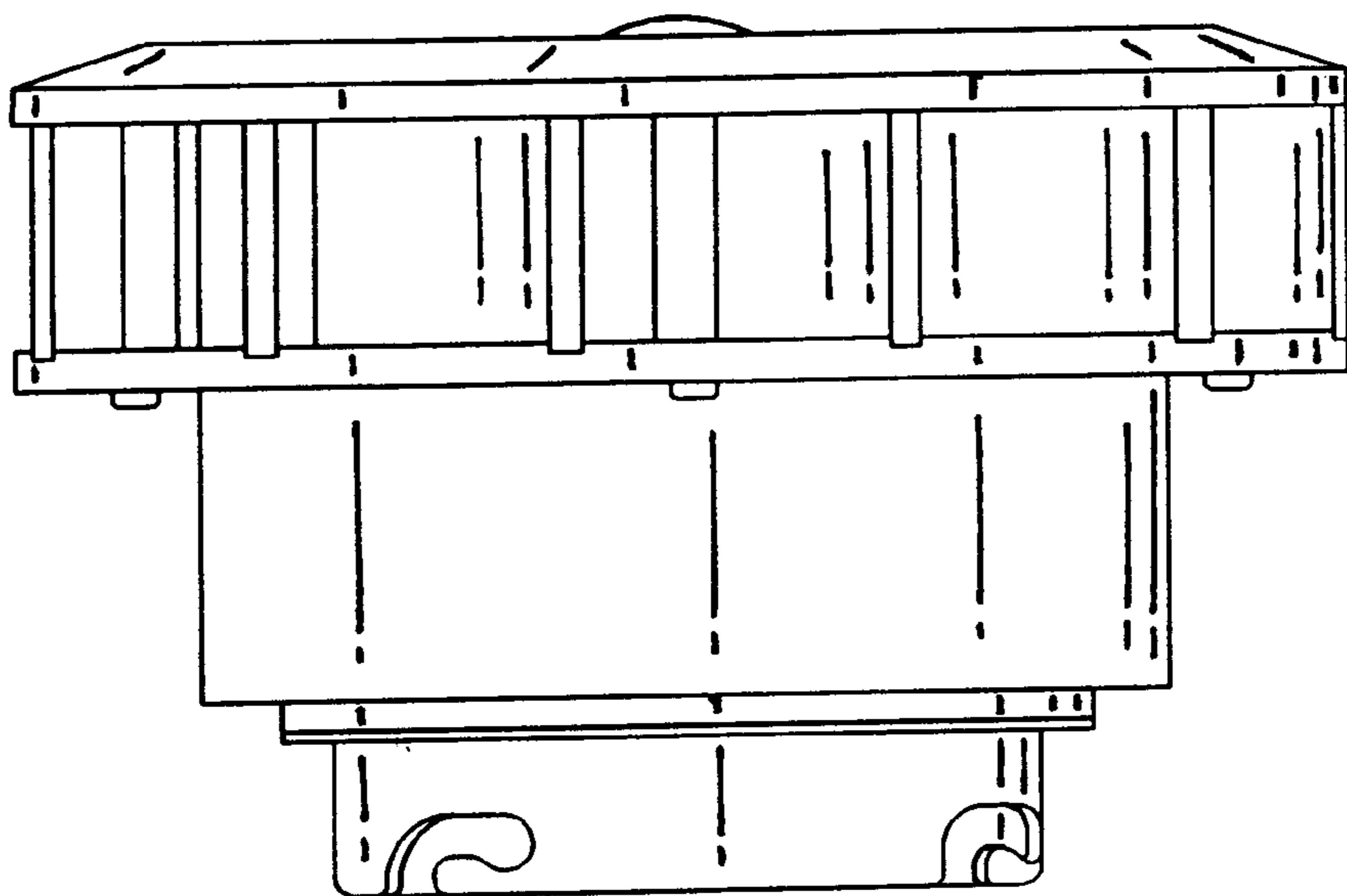


FIG. 4

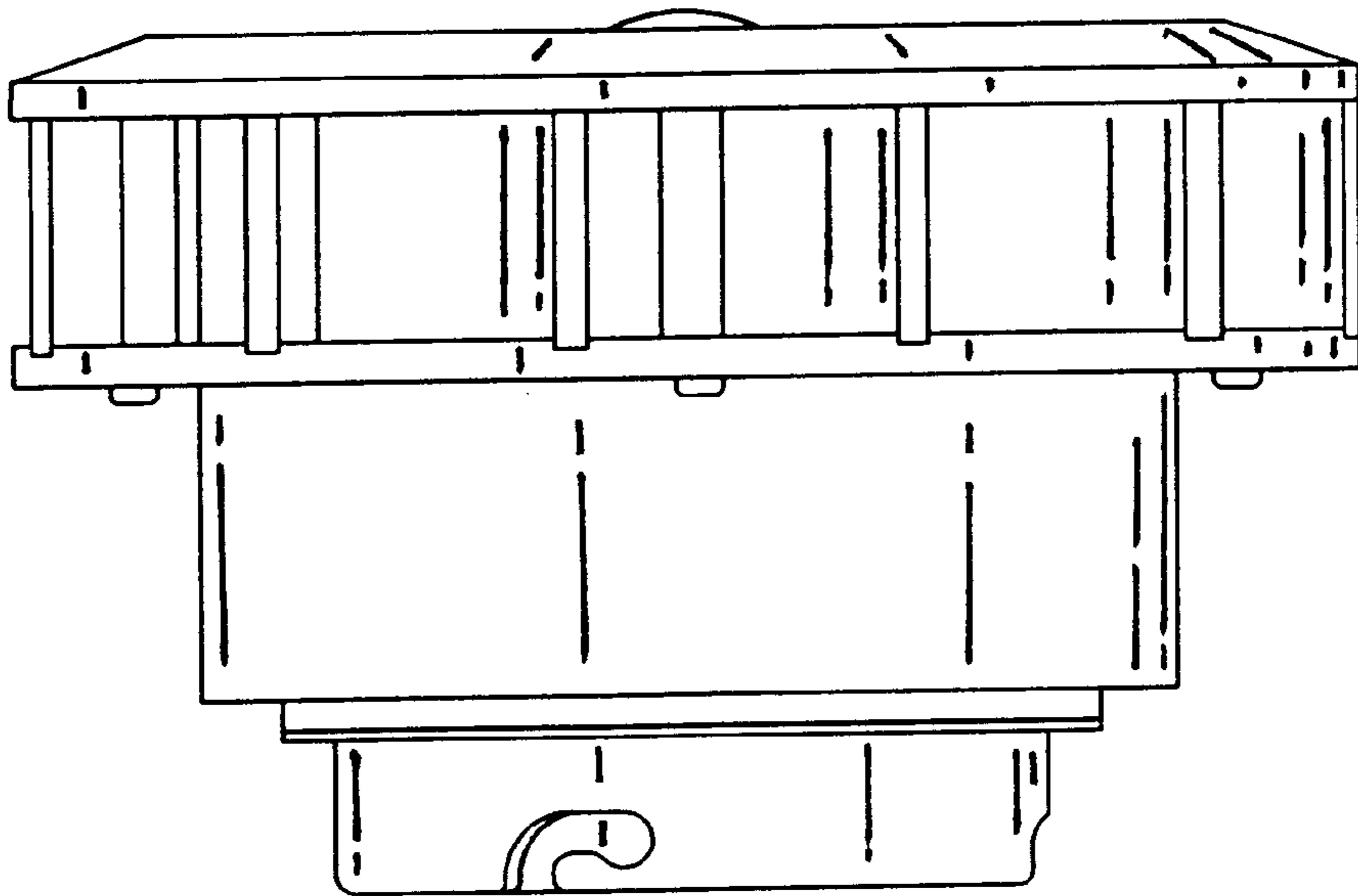


FIG. 5

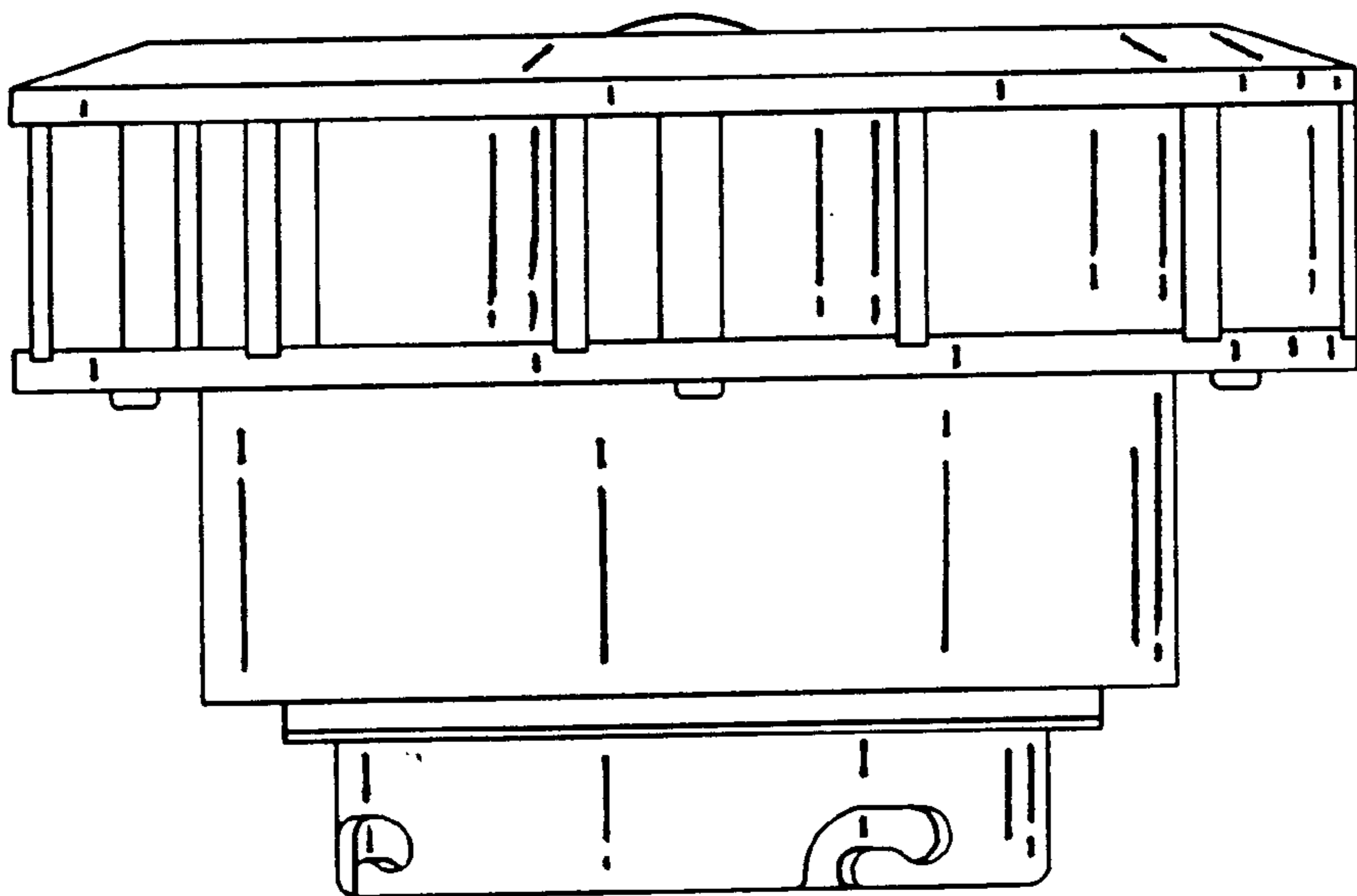


FIG. 6

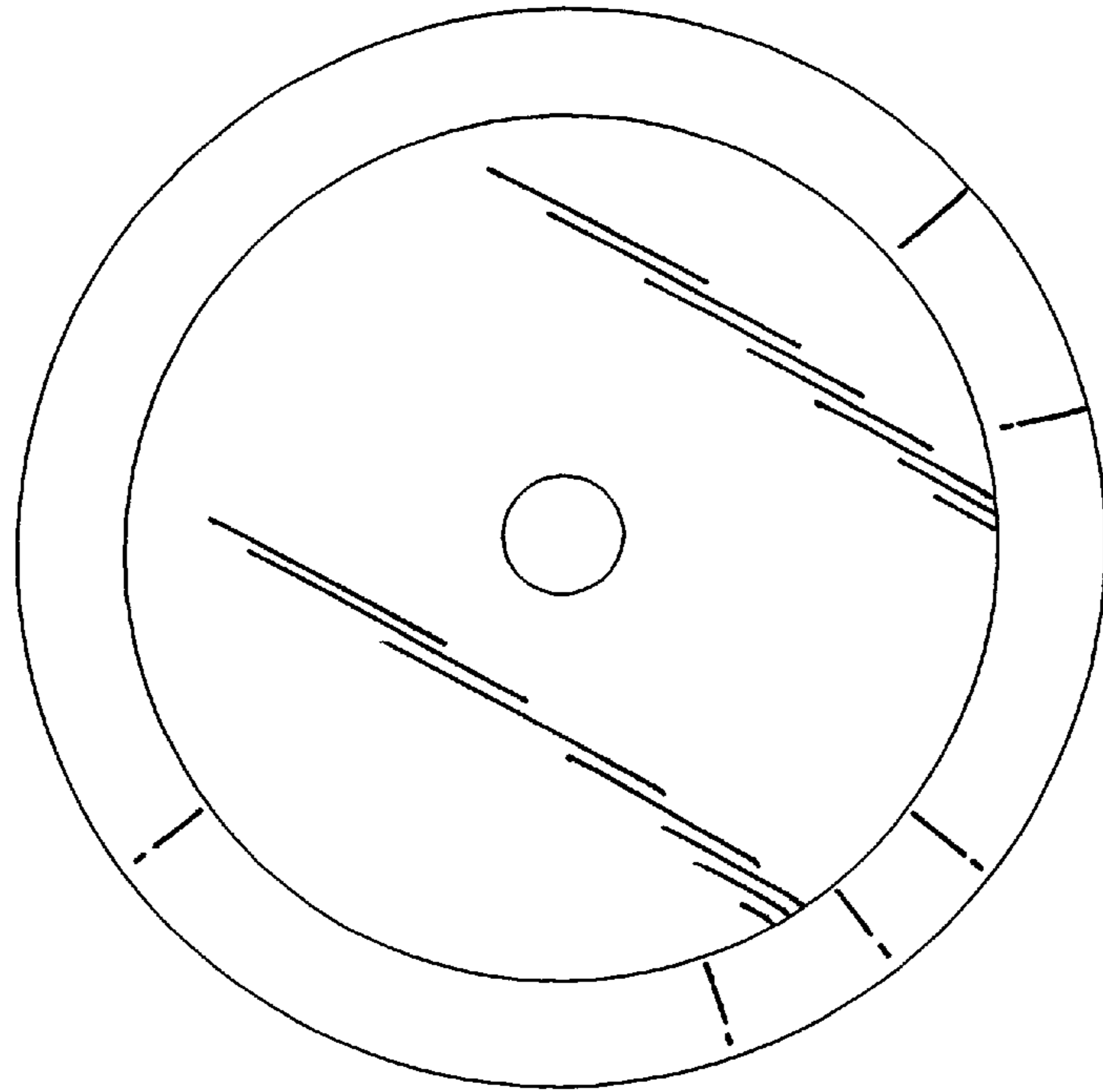


FIG. 7

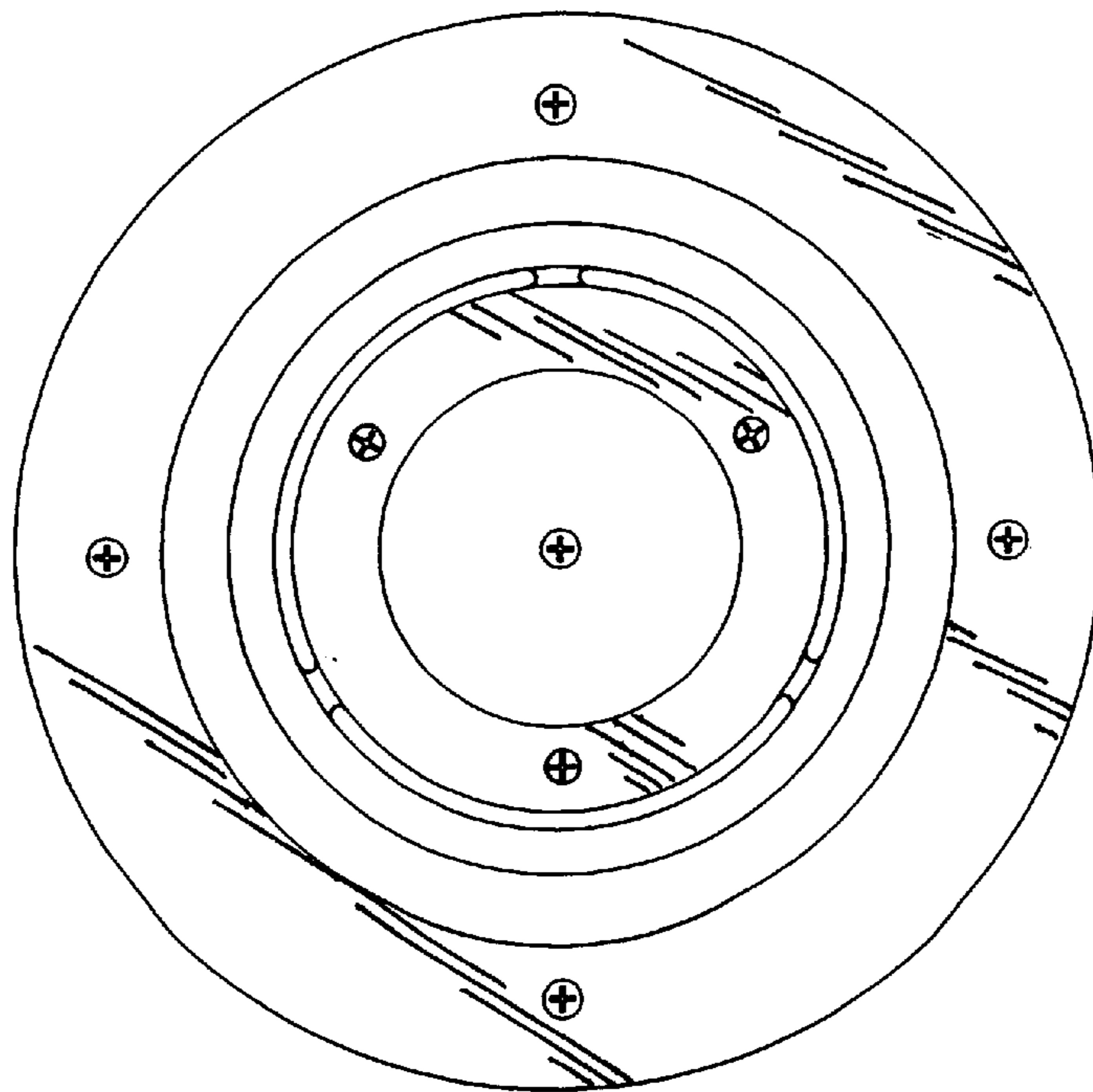


FIG. 8

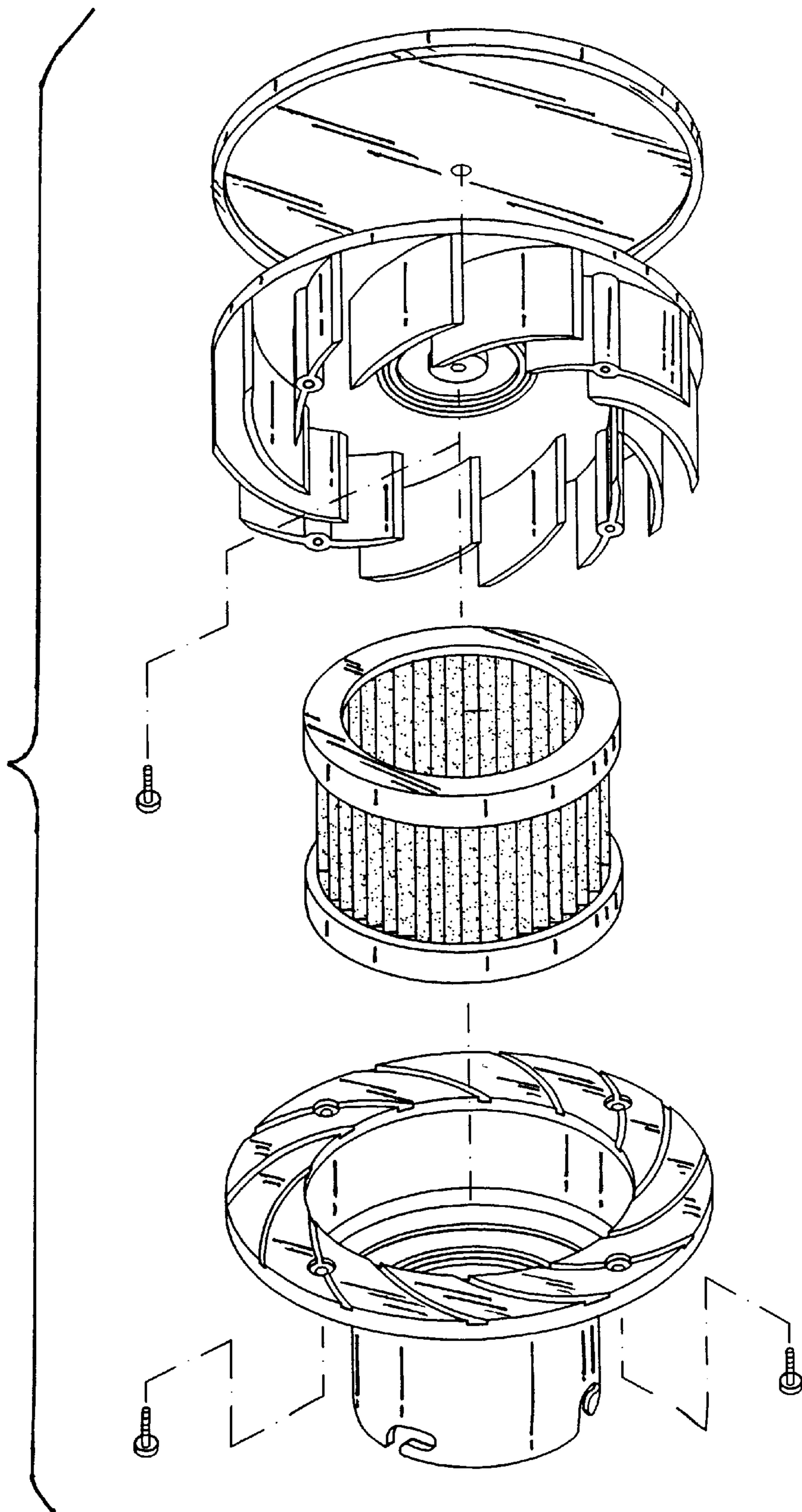


FIG. 9

