



US00D437465S

(12) **United States Design Patent**  
**Radsky**

(10) **Patent No.:** **US D437,465 S**

(45) **Date of Patent:** **\*\* Feb. 6, 2001**

(54) **MULTI-POSITION POOL SKIMMER**

(76) **Inventor:** **David F. Radsky**, R.R. 9, Box 439,  
Augusta, ME (US) 04330

(\*\*) **Term:** **14 Years**

(21) **Appl. No.:** **29/109,145**

(22) **Filed:** **Aug. 10, 1999**

(51) **LOC (7) Cl.** ..... **15-05**

(52) **U.S. Cl.** ..... **D32/25**

(58) **Field of Search** ..... D32/25, 1; 210/169,  
210/232, 242.1, 249

(56) **References Cited**

**U.S. PATENT DOCUMENTS**

D. 282,302	*	1/1986	Raynoso	.....	D32/32
D. 314,456	*	2/1991	Baitz	.....	D32/25
4,068,327		1/1978	Heinlein	.	
4,221,662		9/1980	Joseph	.	
4,225,436		9/1980	Cseh	.	
4,369,109	*	1/1983	Edge	.....	210/169
4,707,253		11/1987	Rowe	.	
4,720,340		1/1988	O'Brien	.	
4,734,189		3/1988	Page, Jr.	.	
4,789,470		12/1988	Wards	.	
4,820,411		4/1989	Lempio	.	
4,960,514		10/1990	Paskert	.	
5,275,721		1/1994	Mathews	.	
5,336,400		8/1994	Patrice	.	
5,391,296		2/1995	Rotundo	.	
5,392,472		2/1995	Maxfield	.	
5,422,001	*	6/1995	Yagoda et al.	.....	210/169

5,510,020		4/1996	Gronlund	.	
5,525,217		6/1996	Fulop	.	
5,606,750		3/1997	Vos	.	
5,614,085		3/1997	Platt, III	.	
5,804,064	*	9/1998	Desrochers	.....	210/169
5,849,184	*	12/1998	Veillet	.....	210/169

\* cited by examiner

*Primary Examiner*—Mitchell Siegel

(74) *Attorney, Agent, or Firm*—Stan Jones, Patents

(57) **CLAIM**

The ornamental design for a multi-position pool skimmer, as shown and described.

**DESCRIPTION**

FIG. 1 is a front perspective view of my new multi-position pool skimmer showing a swimming pool and skimmer environment in dashed lines, which dashed line portions form no part of my invention;

FIG. 2 is a rear side view of the multi-position pool skimmer of FIG. 1;

FIG. 3 is a front side view of the multi-position pool skimmer of FIG. 1;

FIG. 4 is an end view of a multi-position pool skimmer of FIG. 1;

FIG. 5 is an end view of a multi-position pool skimmer of FIG. 1;

FIG. 6 is a top view of my new multi-position pool skimmer; and,

FIG. 7 is a bottom view of my new multi-position pool skimmer.

**1 Claim, 3 Drawing Sheets**

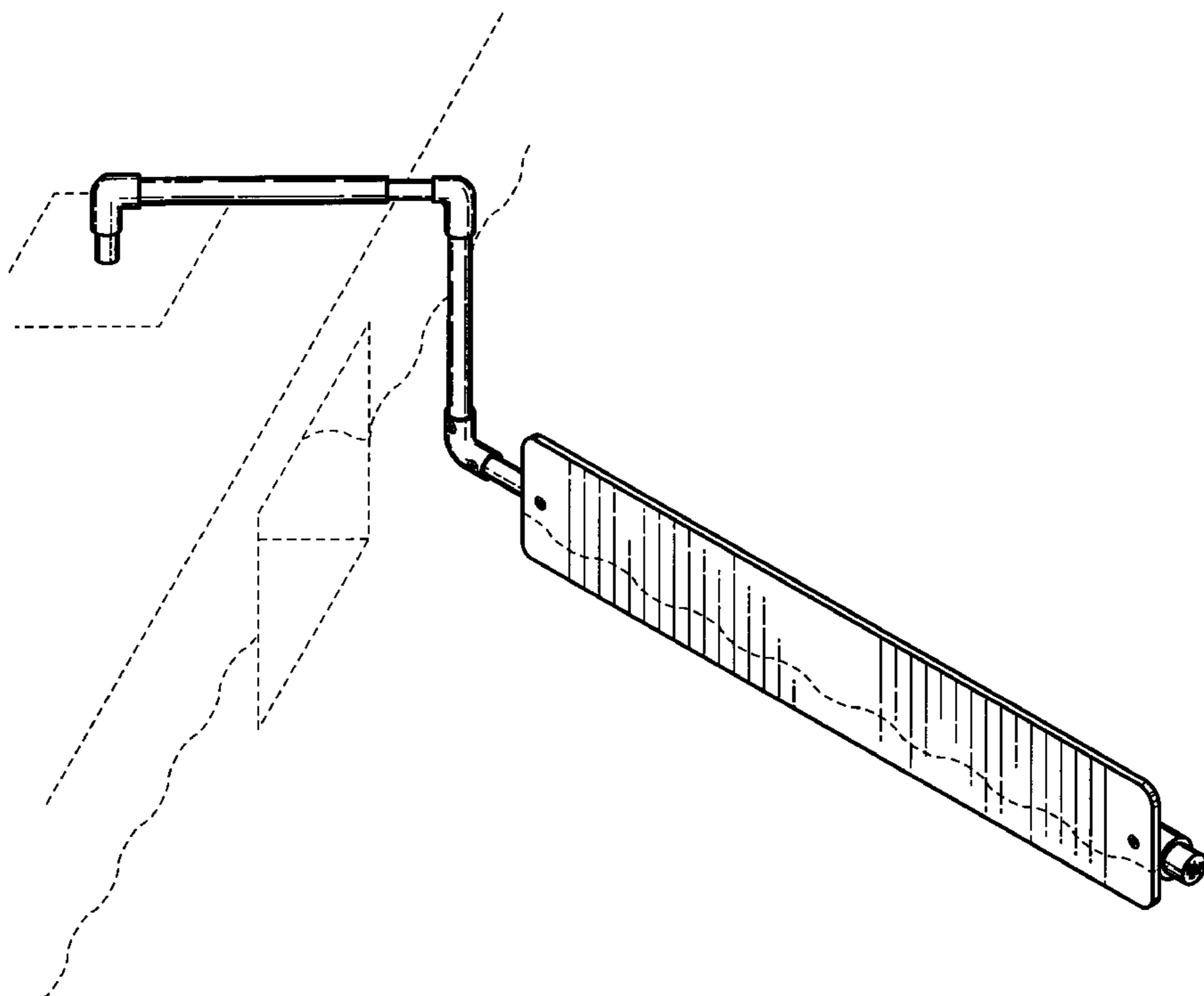


Fig. 1

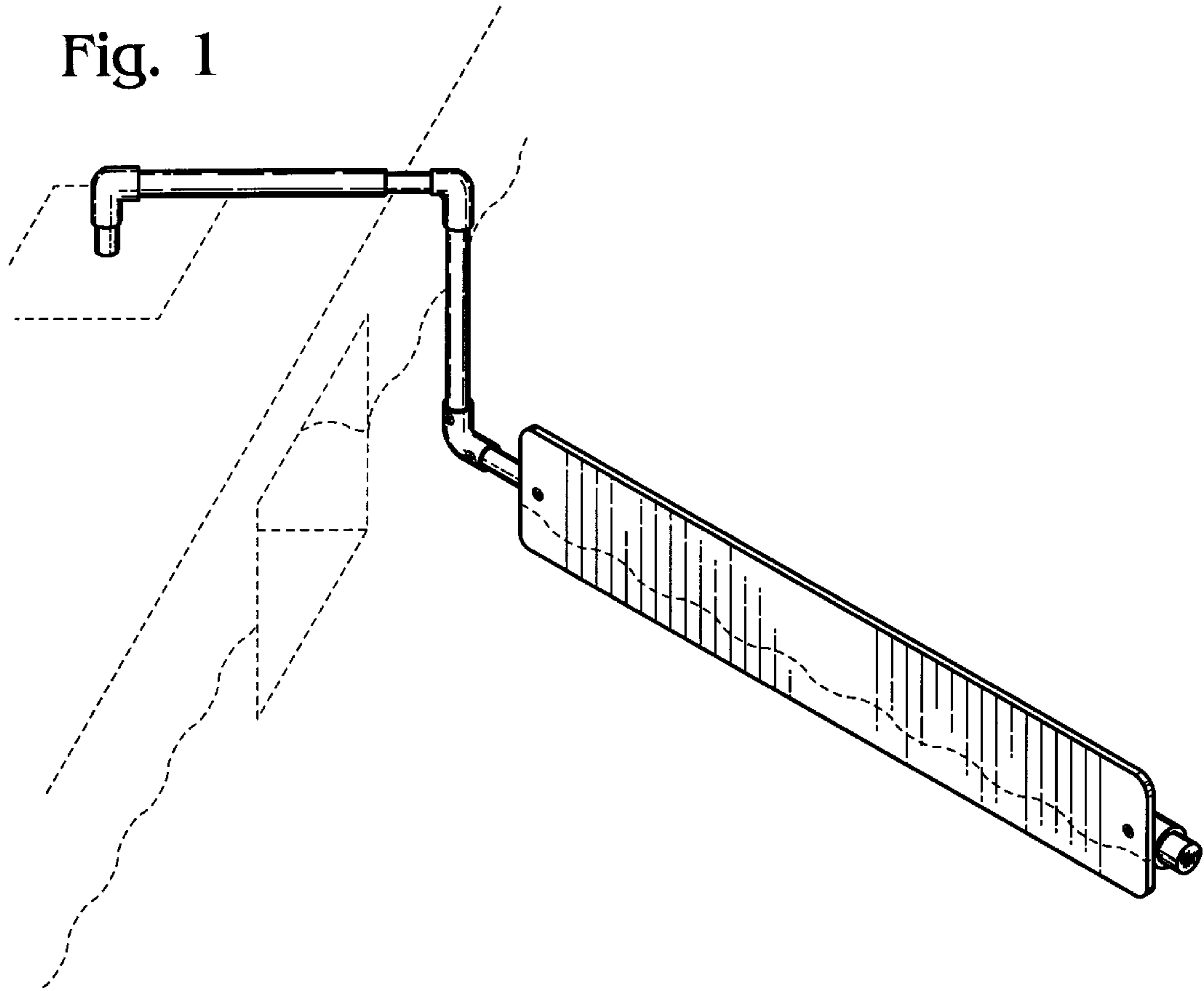


Fig. 2

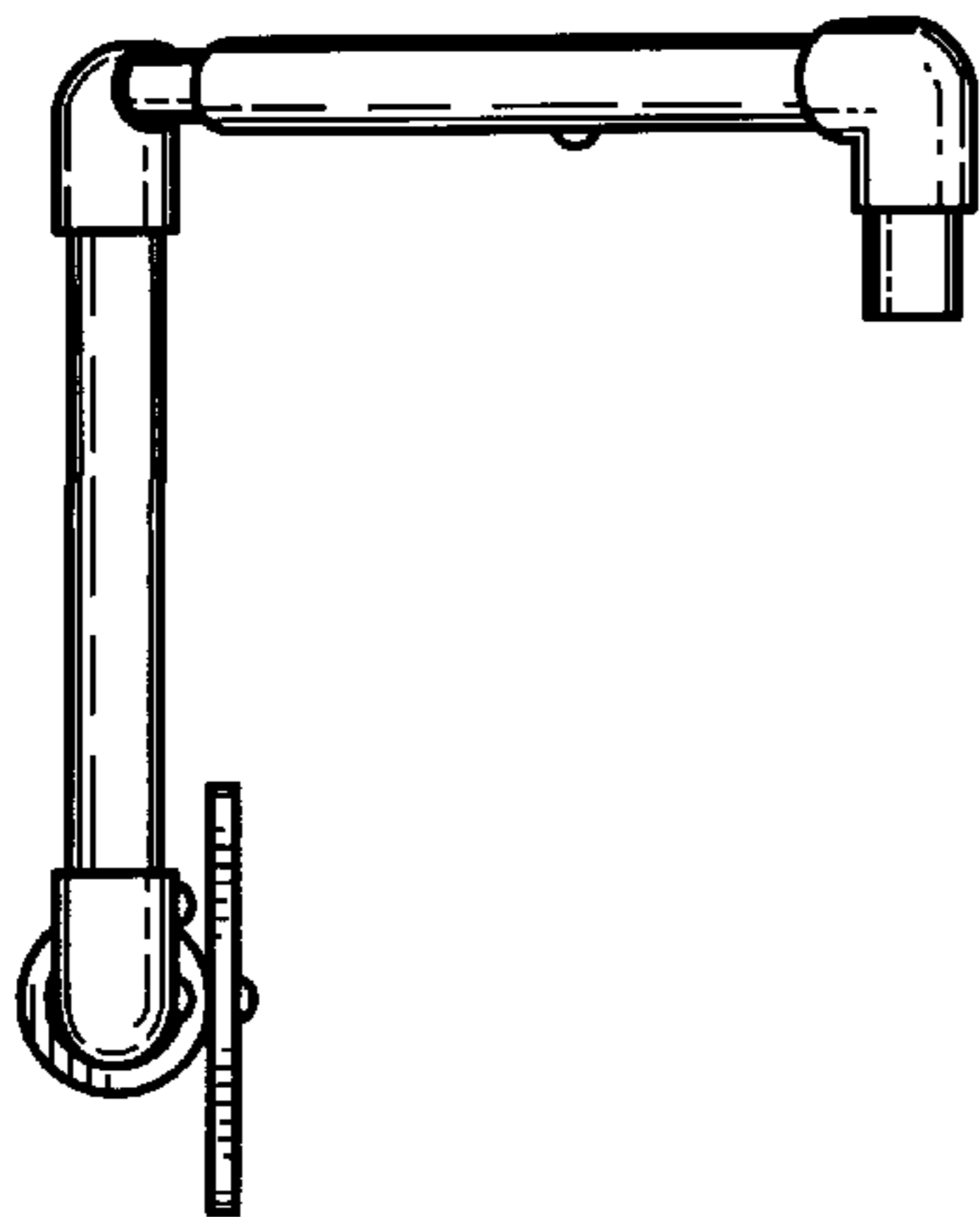


Fig. 3

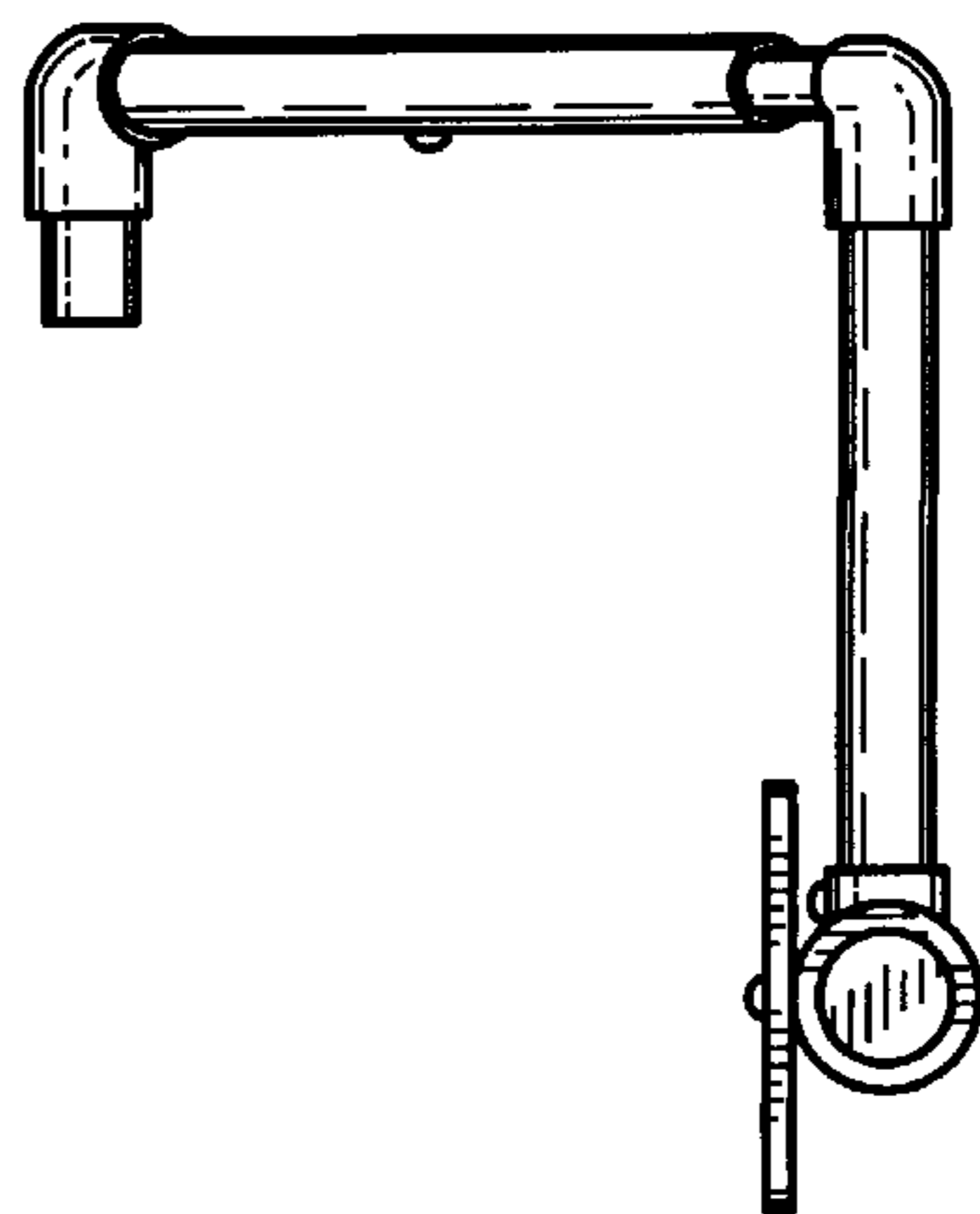


Fig. 4

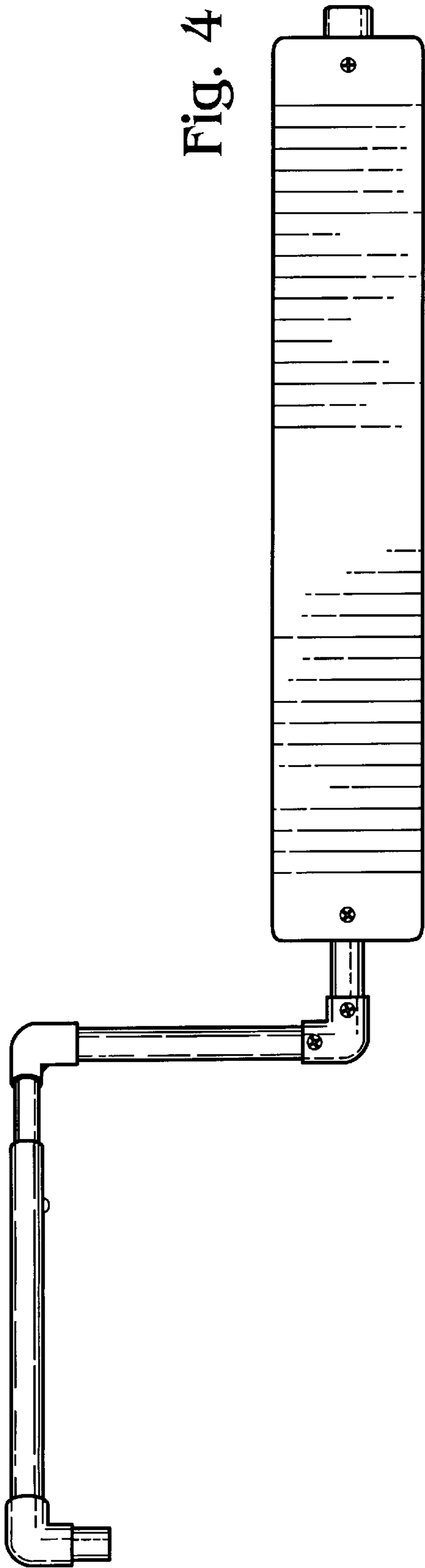
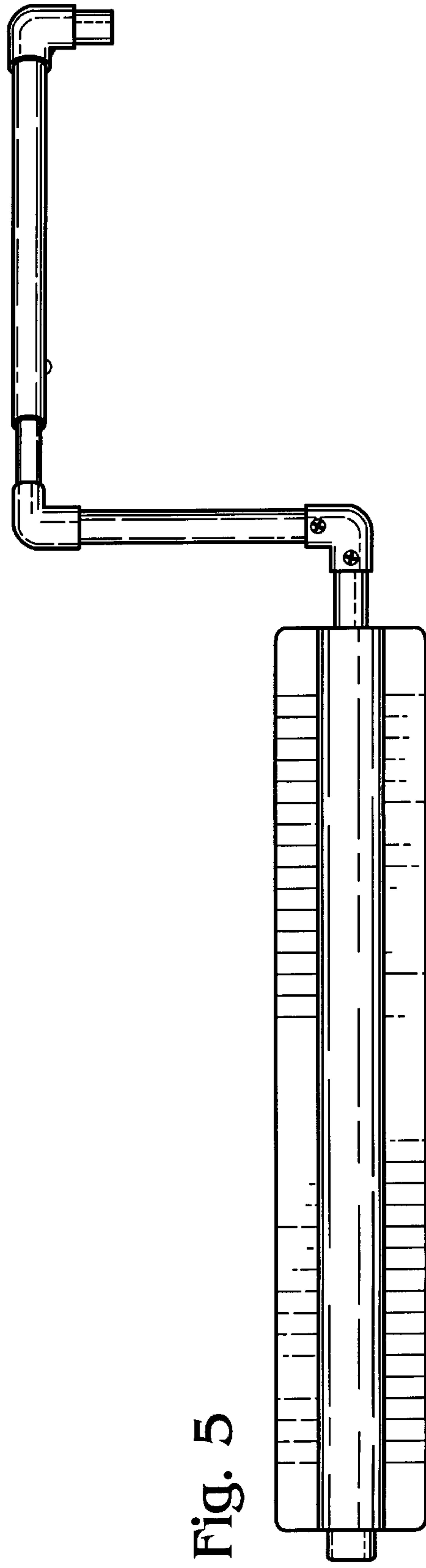


Fig. 5



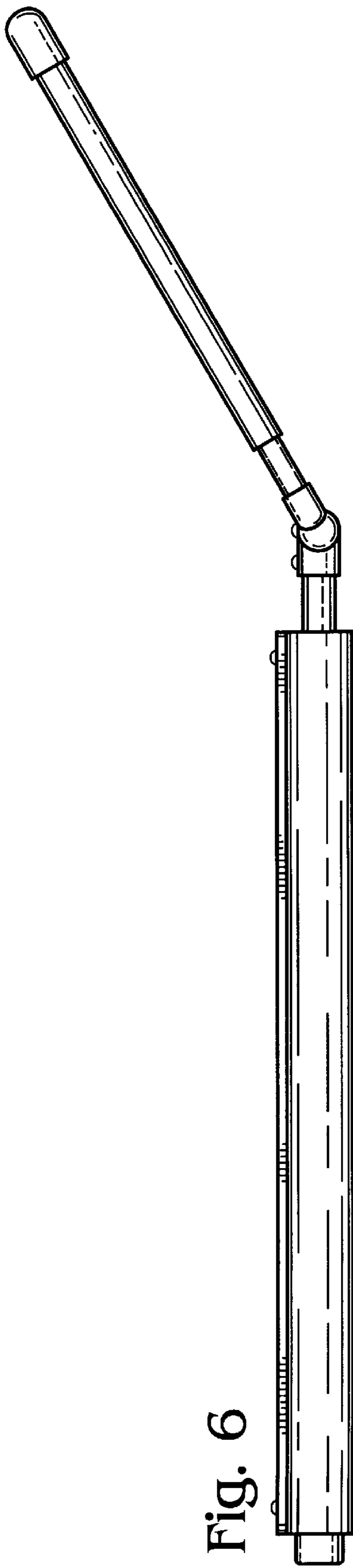


Fig. 6

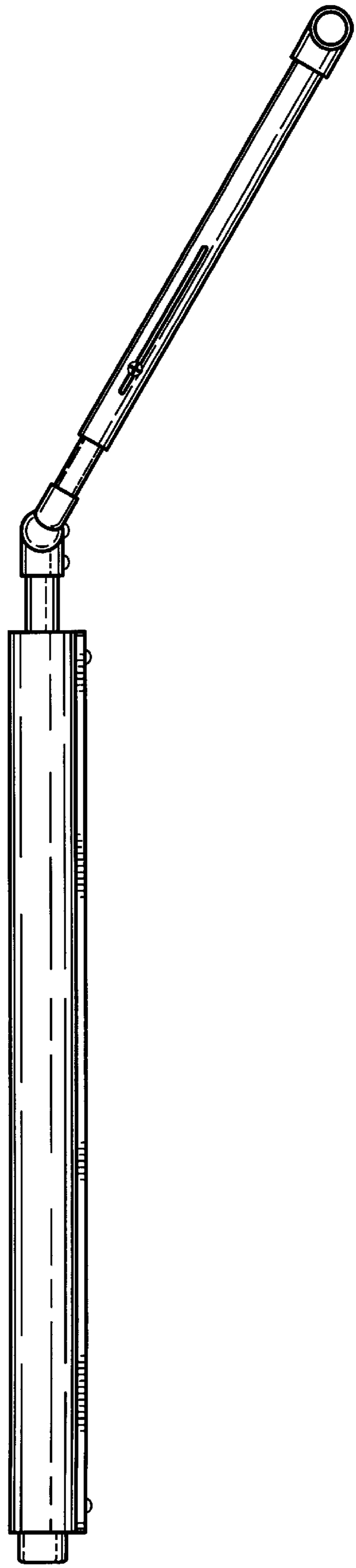


Fig. 7