



US00D437462S

(12) **United States Design Patent** (10) **Patent No.:** **US D437,462 S**
Whall et al. (45) **Date of Patent:** **** Feb. 6, 2001**

(54) **HAND TOOL FOR PICKING UP DOG LITTER**

(75) Inventors: **Joseph M. Whall**, River Falls, WI (US); **J. David Bowell**, Vadnais Heights, MN (US)

(73) Assignee: **Miller Manufacturing Company**, Eagan, MN (US)

(**) Term: **14 Years**

(21) Appl. No.: **29/119,064**

(22) Filed: **Feb. 23, 2000**

(51) **LOC (7) Cl.** **30-99**

(52) **U.S. Cl.** **D30/162**; 294/1.4

(58) **Field of Search** D30/162; D7/686; D8/10, 13; 119/858; 294/1.3, 1.4, 55; 248/101

(56) **References Cited**

U.S. PATENT DOCUMENTS

D. 26,746	*	3/1897	Pease	294/55
D. 209,660	*	12/1967	Lind	294/1.4
D. 381,778	*	7/1997	Semo	D30/162
D. 403,133	*	12/1998	Bowell et al.	D30/162
D. 406,413	*	3/1999	Russo	D30/162
D. 409,804	*	5/1999	Nunes	D30/162
D. 426,353	*	6/2000	Renforth	D30/162
662,284	*	10/1900	Morrell	294/55
1,935,510	*	11/1933	Lofton	294/55
3,310,332	*	3/1967	Nelson	294/1.4
4,316,627	*	2/1982	Solya	294/1.4
5,417,044	*	5/1995	Russo	294/55
5,562,318	*	10/1996	McBroom	294/1.4
5,741,036	*	4/1998	Ring	294/1.3
5,791,706	*	8/1998	Dolci	294/55
5,868,447	*	2/1999	Clark et al.	294/1.4
5,921,596	*	7/1999	Sheriff et al.	294/1.4
6,012,748	*	1/2000	Franks	294/1.4

OTHER PUBLICATIONS

Catalog page entitled "Cotton Seed, Ensilage & Bedding Forks", *AMES® Lawn & Garden Tools*, p. 55 (Date unknown).

Catalog page entitled "Designed by Horseman for Horseman", *K&D Plastics, Inc.*, 1 pg. (Date unknown).

Catalog page entitled "Equine, Cattle & Hog", *Miller Manufacturing Company*, p. 6 (Date unknown).

Catalog page entitled "The Fab Fork" and "Innovative MuckMaster™", *Intrepid International*, p. 10 (Date unknown).

Catalog page entitled "Future Fork/F—16® Mini", *Animal Healthcare Laboratories, Inc.*, 1 pg. (Date unknown).

Catalog page entitled "The Incredible Wonder Fork™", *1999 Farnam Catalog*, p. 31 (1999).

Catalog page entitled "New Improved Manure Forks", *Apple Picker® Ltd.*, 1 pp. (Date unknown).

Catalog pages entitled "S.A.S.I. Scoop™—Scoop And Sack It", *Aaron's Industries, Inc.*, 2 pgs. (Date unknown).

* cited by examiner

Primary Examiner—Cathy Anne MacCormac

(74) *Attorney, Agent, or Firm*—Merchant & Gould P.C.

(57) **CLAIM**

The ornamental design for hand tool for picking up dog litter, as shown and described.

DESCRIPTION

FIG. 1 is a view in perspective of a hand tool for picking up dog litter in accordance with my invention;

FIG. 2 is a bottom plan view thereof;

FIG. 3 is a top plan view thereof;

FIG. 4 is a right side plan view, the opposite side being a mirror image thereof;

FIG. 5 is a front end view thereof; and,

FIG. 6 is a rear view thereof.

1 Claim, 3 Drawing Sheets

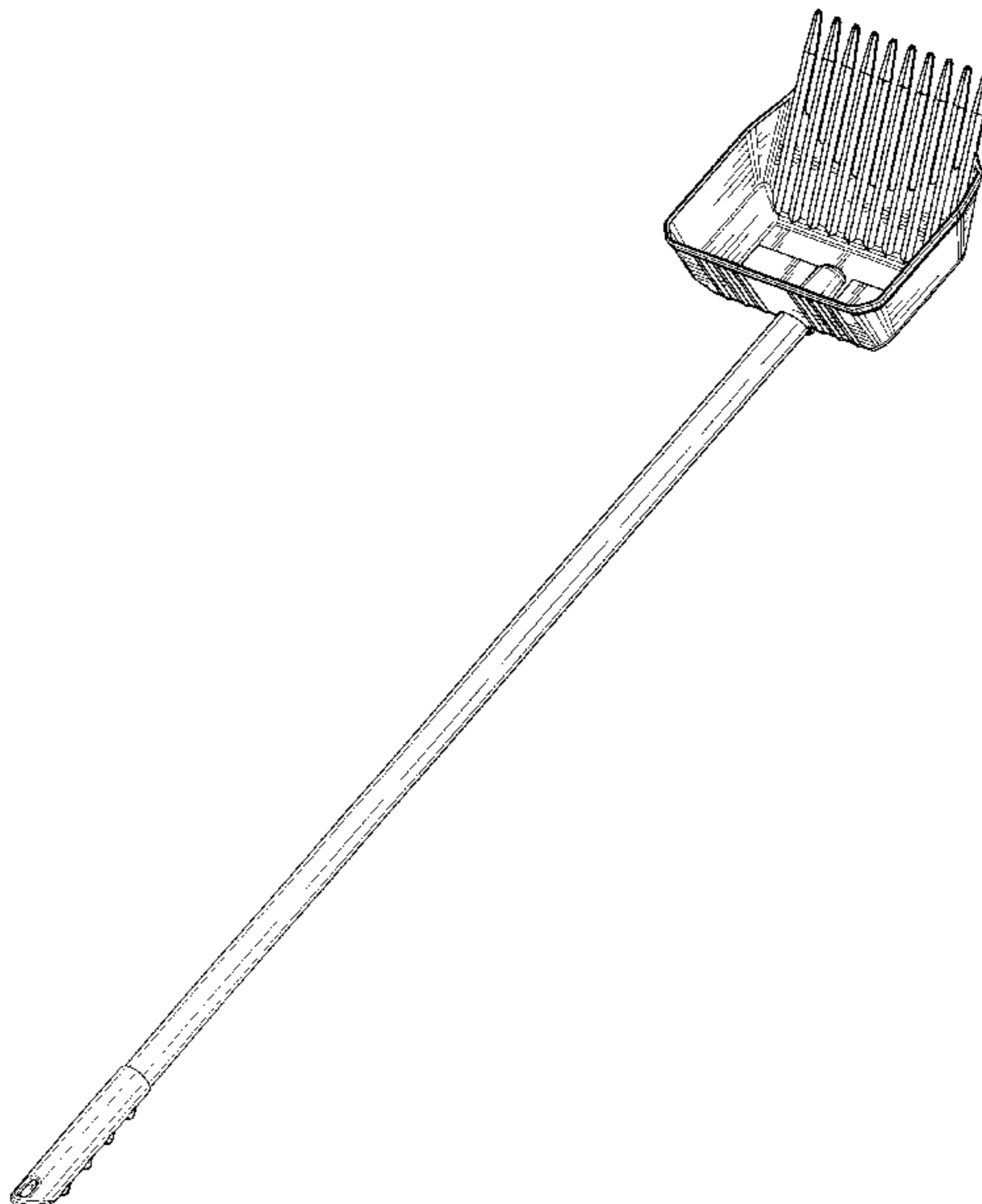
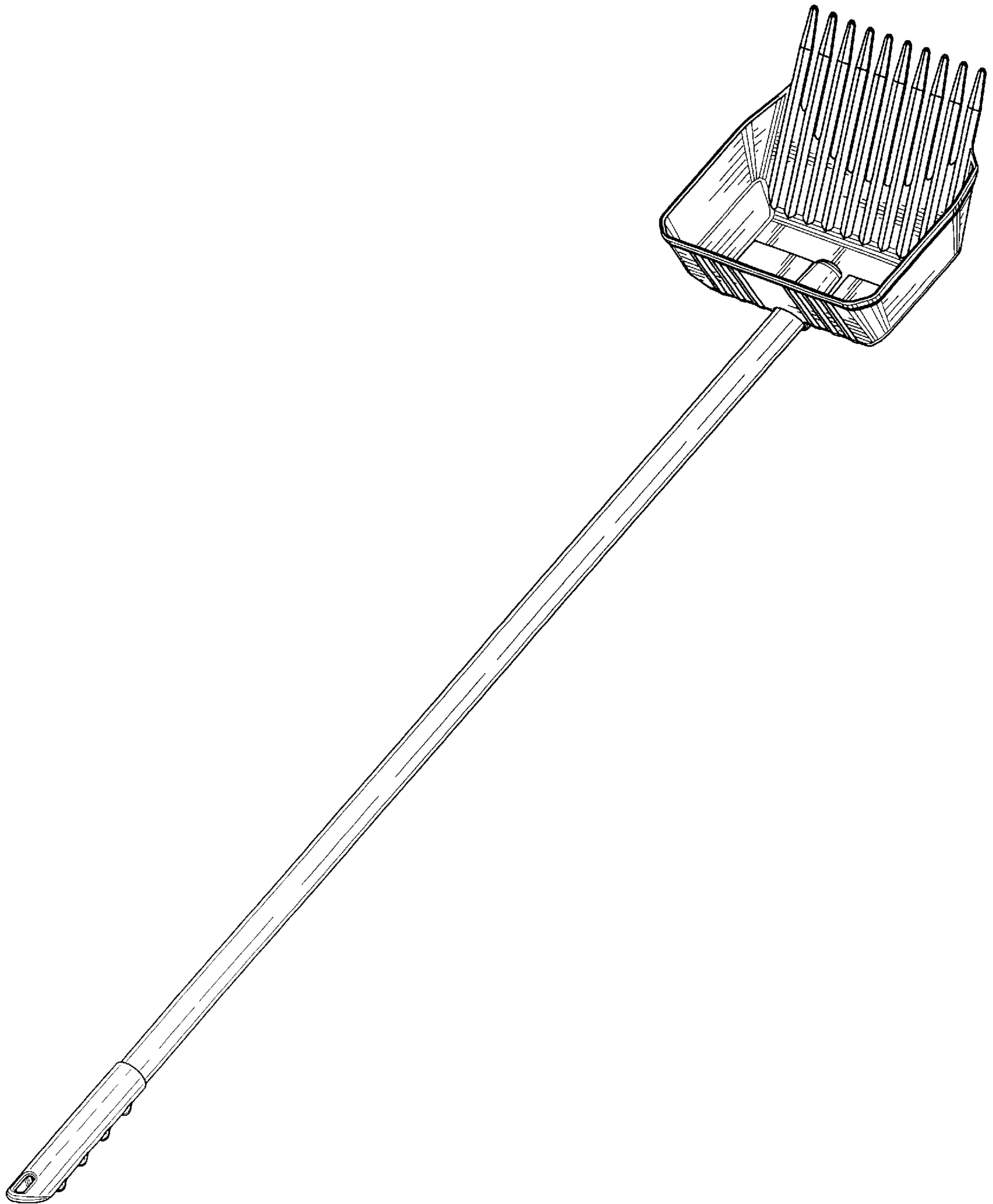


FIG. 1



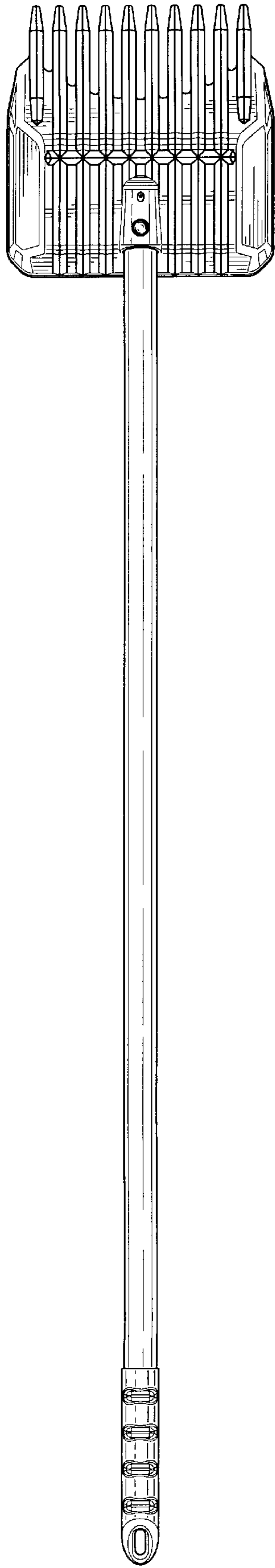


FIG. 2

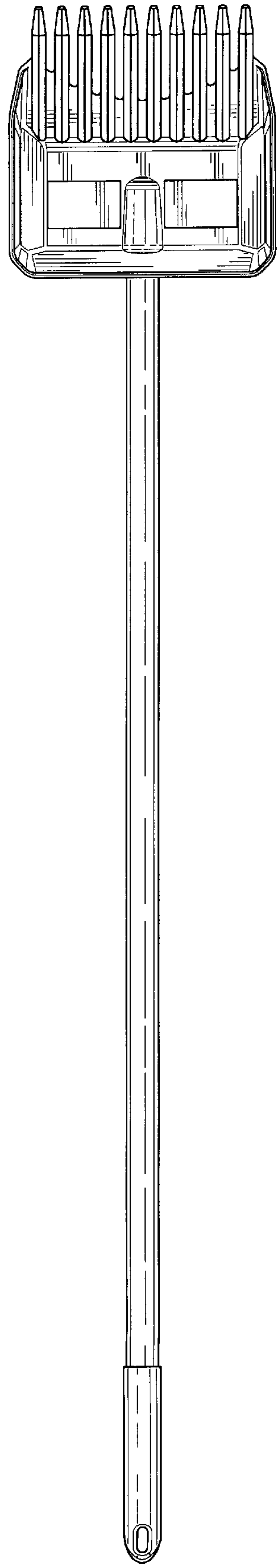


FIG. 3

FIG. 4

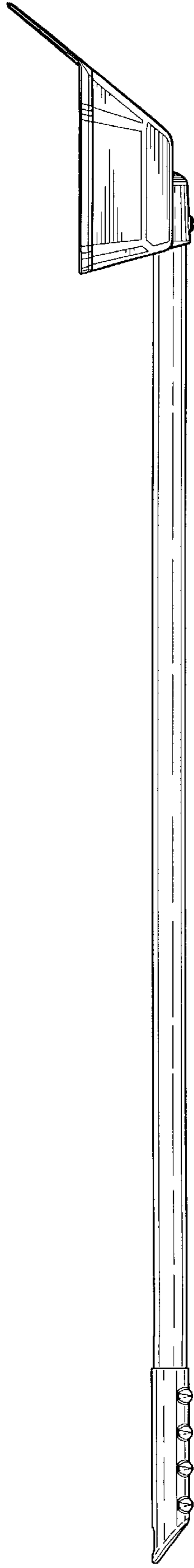


FIG. 5

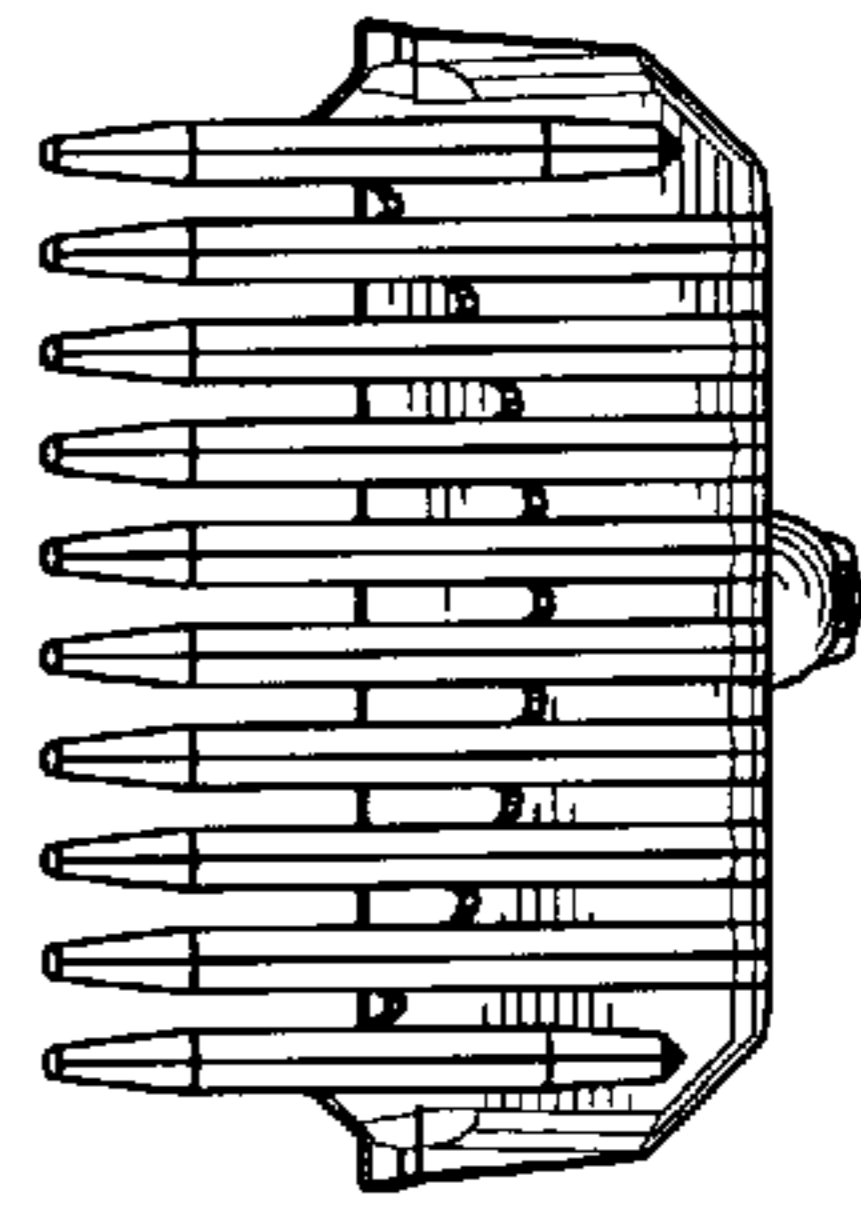


FIG. 6

