



US00D437448S

(12) **United States Design Patent**
Hsieh

(10) **Patent No.:** **US D437,448 S**

(45) **Date of Patent:** **** Feb. 6, 2001**

(54) **TABLE LAMP**

(76) **Inventor:** **Freda Hsieh**, No. 2, Ning Hsia East
2nd Street, Taichung (TW)

(**) **Term:** **14 Years**

(21) **Appl. No.:** **29/104,527**

(22) **Filed:** **May 6, 1999**

(51) **LOC (7) Cl.** **26-03**

(52) **U.S. Cl.** **D26/111**

(58) **Field of Search** D26/93-112; 362/410-414

(56) **References Cited**

PUBLICATIONS

Taiwan Lighting, p. 350, Lamp (A), lower right side of page,
Aug. 1997.*

Taiwan Lighting, Front Cover, Lamp B, Aug. 1997.*

* cited by examiner

Primary Examiner—Lisa Lichtenstein

(74) *Attorney, Agent, or Firm*—Rosenberg, Klein & Lee

(57) **CLAIM**

The ornamental design for a table lamp, as shown and
described.

DESCRIPTION

FIG. 1 is a perspective view of table lamp showing my new
design;

FIG. 2 is a front elevation view thereof;

FIG. 3 is a rear elevation view thereof;

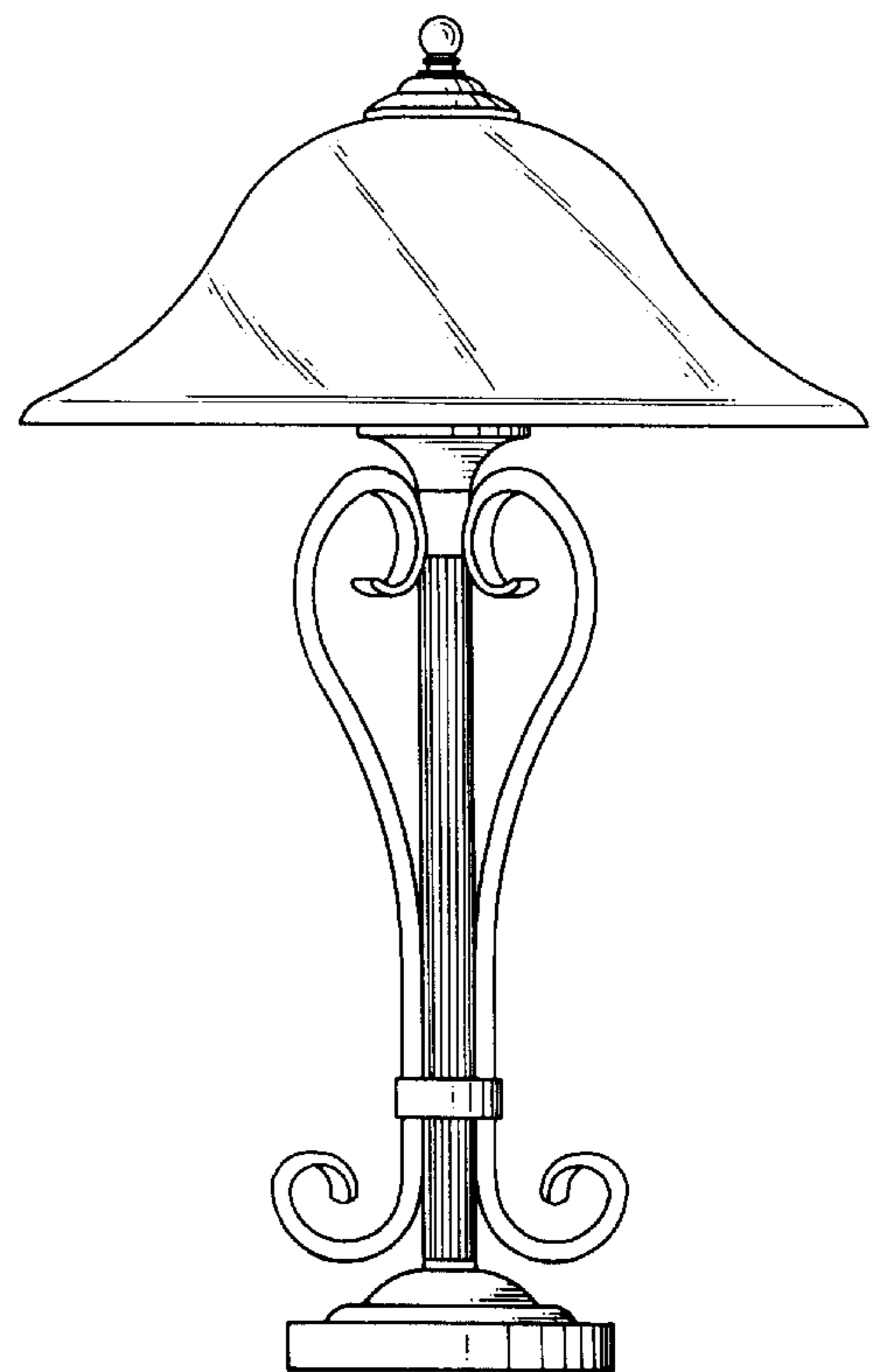
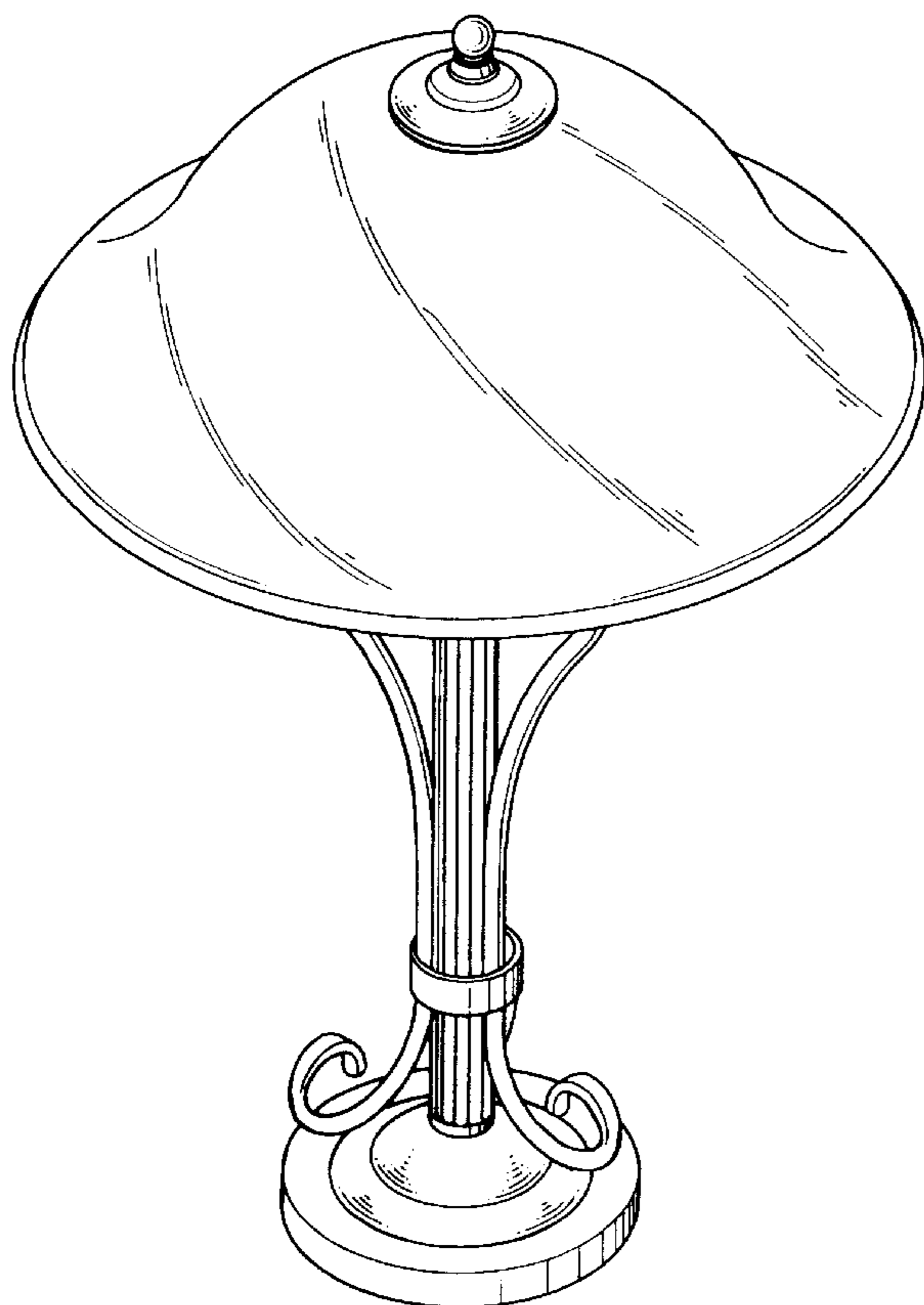
FIG. 4 is a left side elevation view thereof;

FIG. 5 is a right side elevation view thereof;

FIG. 6 is a top plan view thereof; and,

FIG. 7 is a bottom plan view thereof.

1 Claim, 4 Drawing Sheets



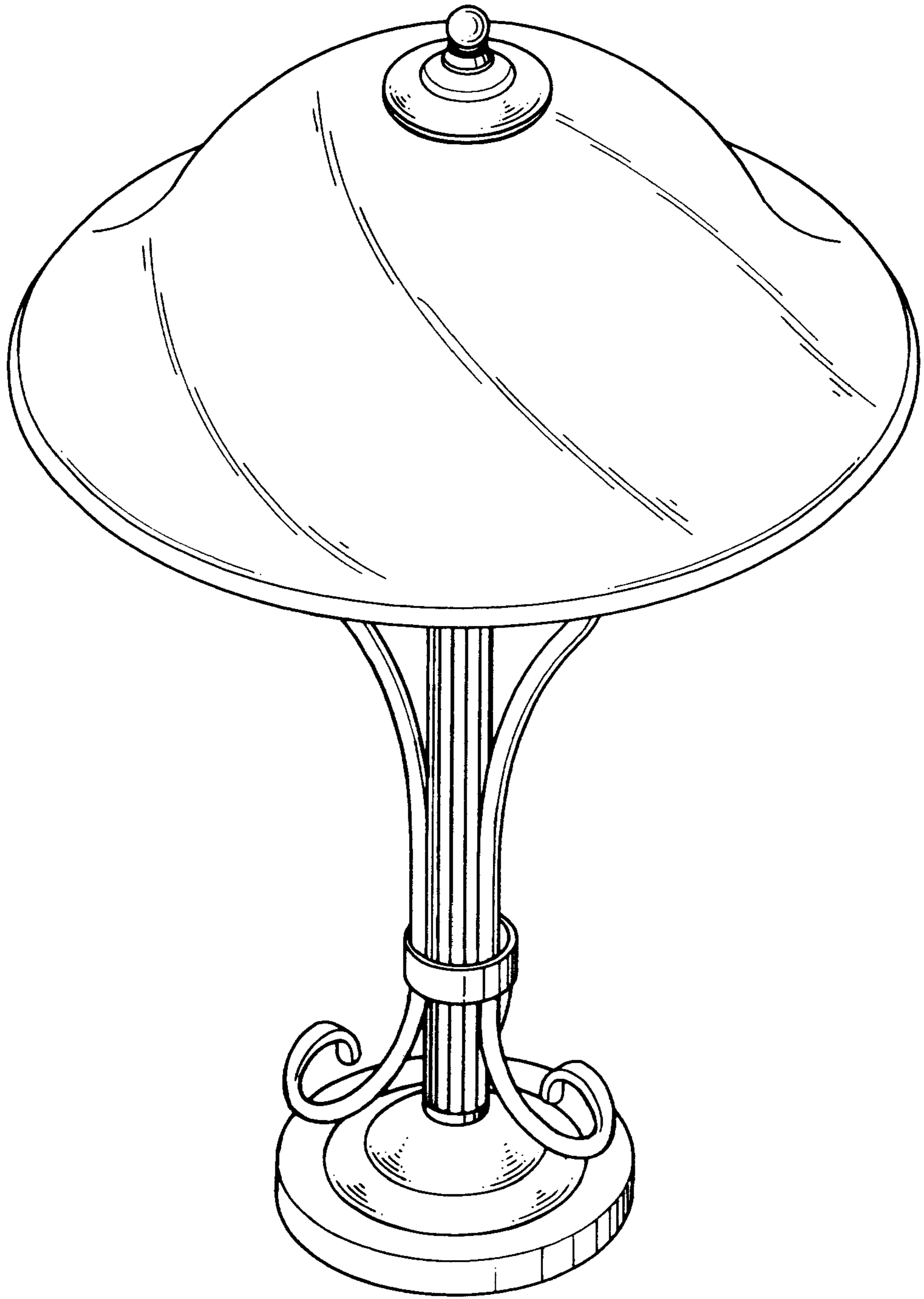


FIG. 1

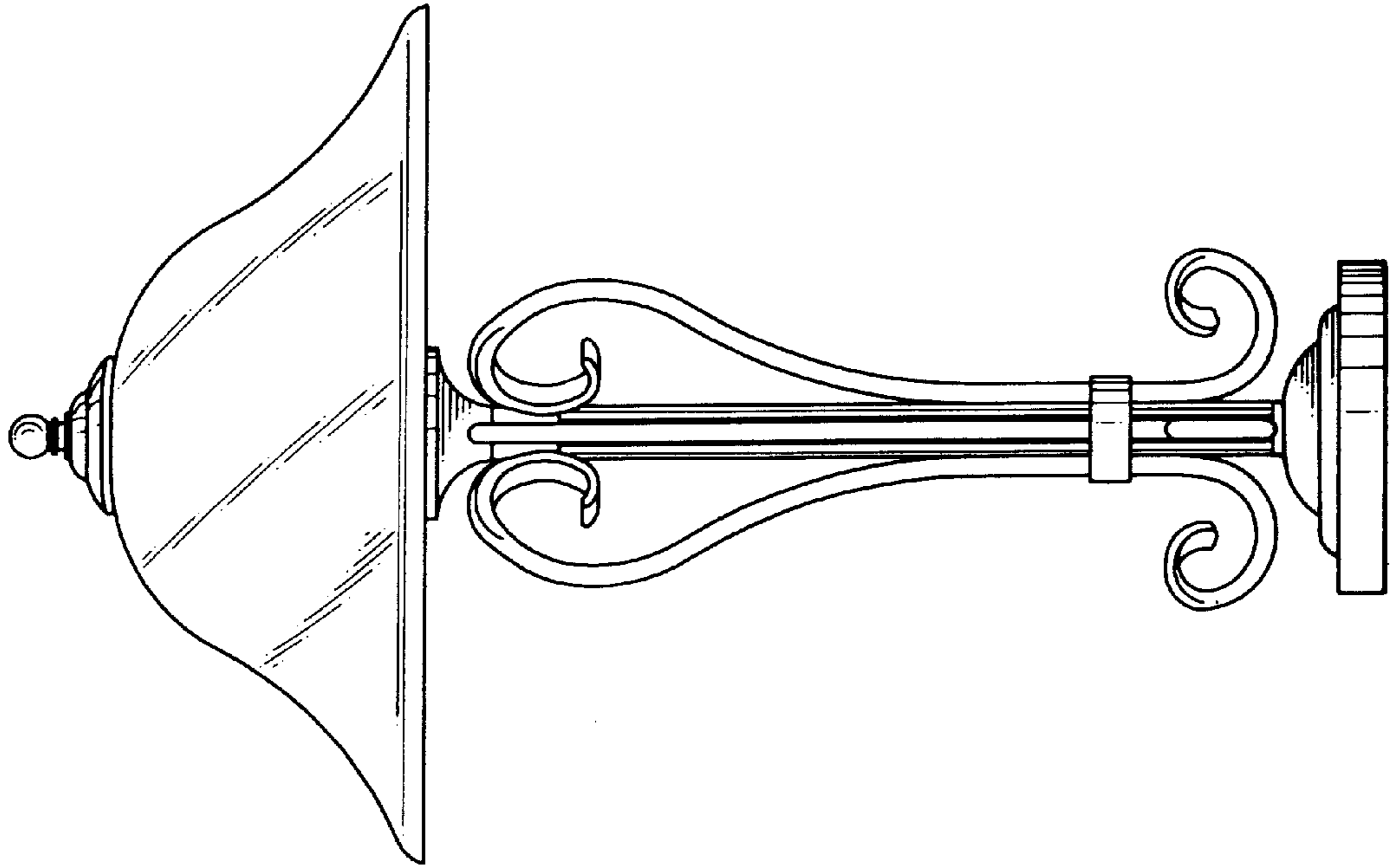


FIG. 3

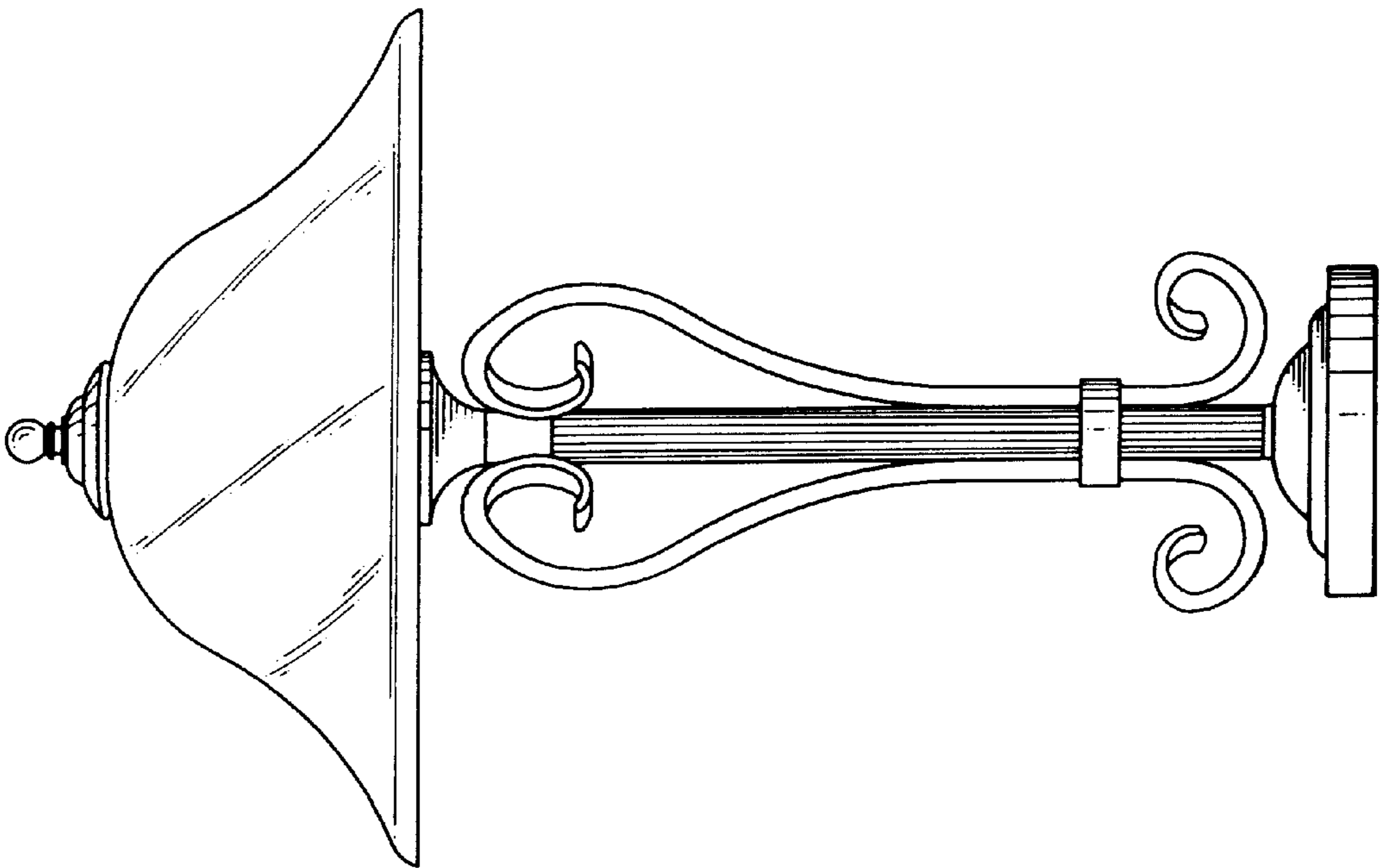


FIG. 2

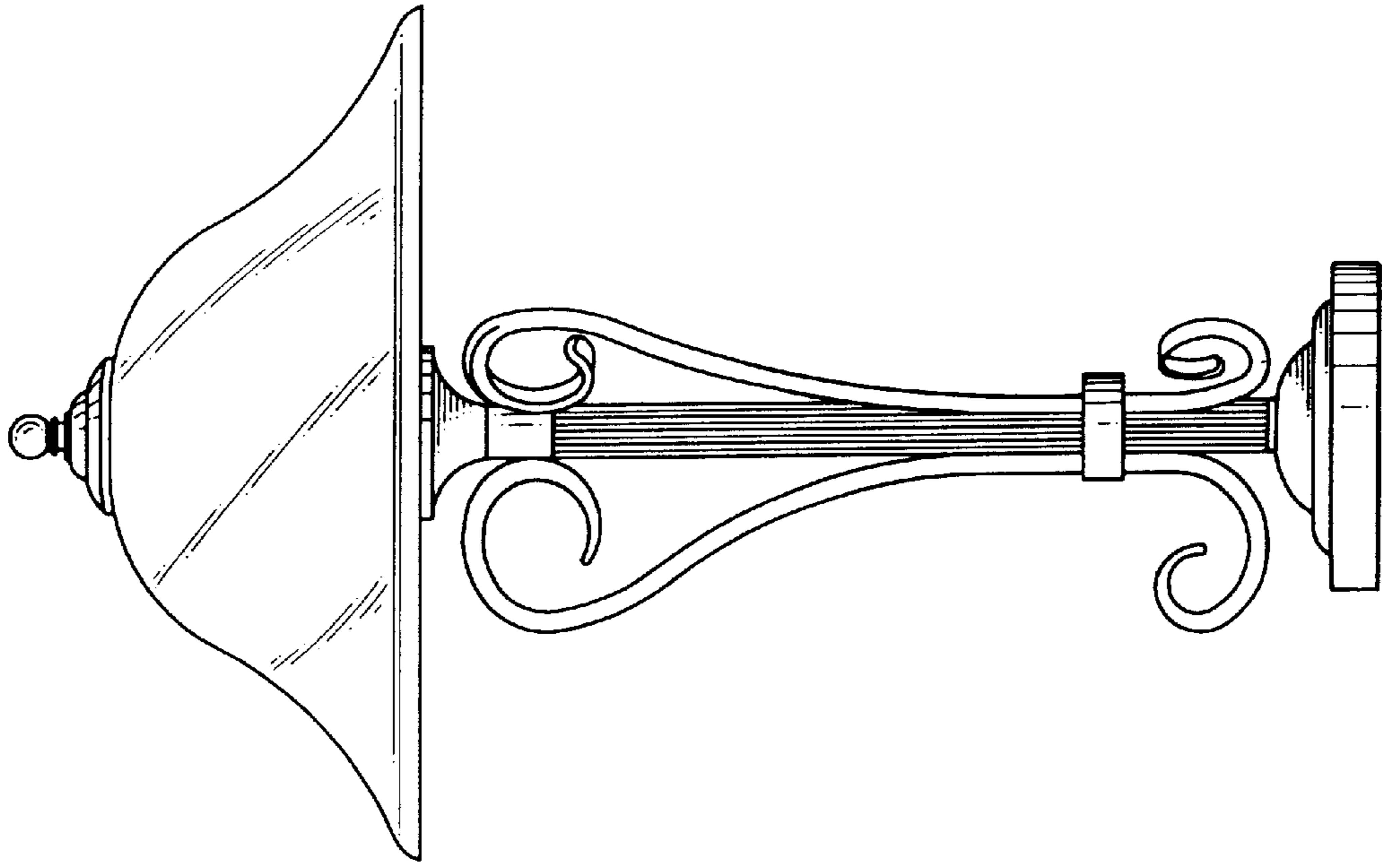


FIG. 5

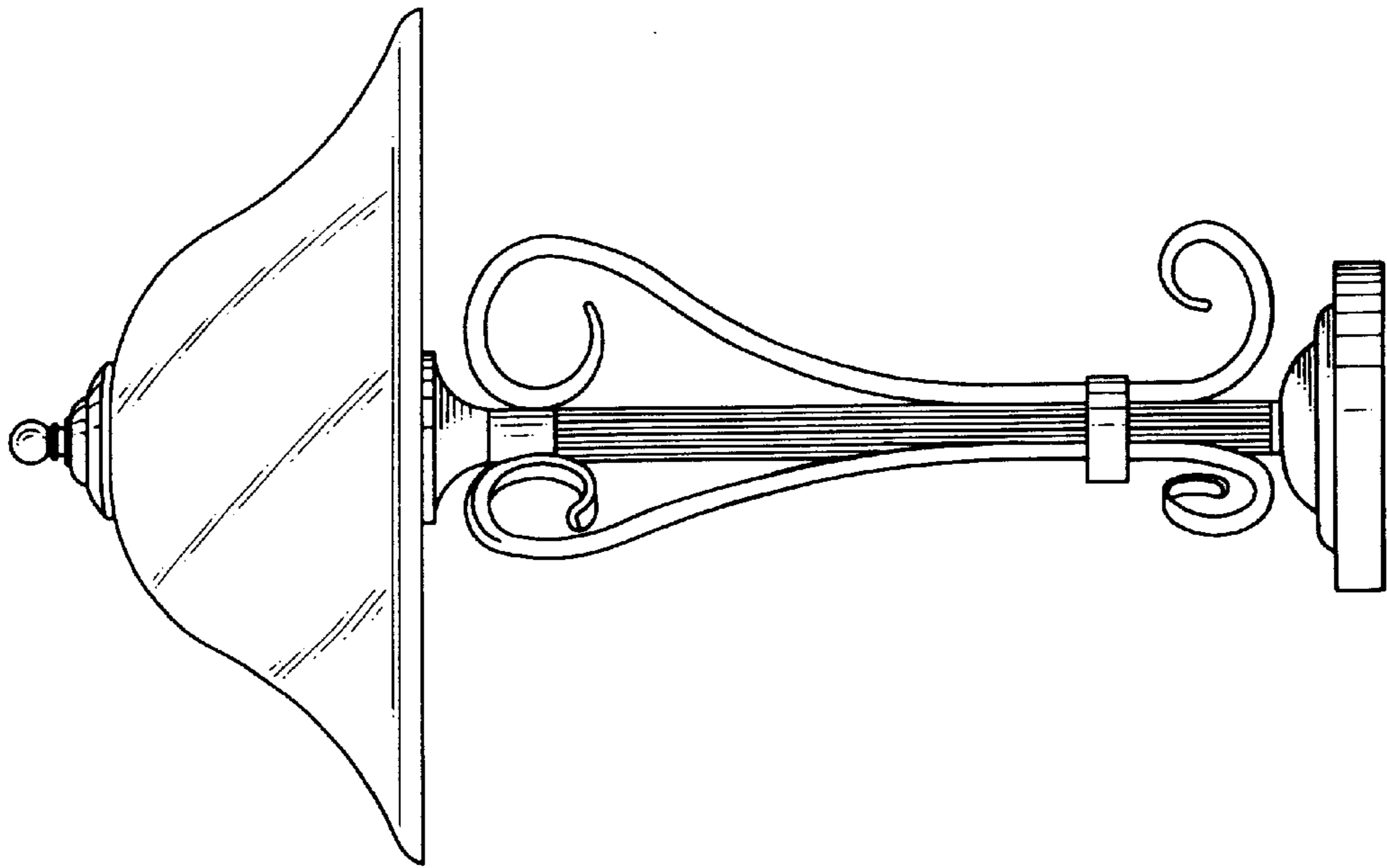


FIG. 4

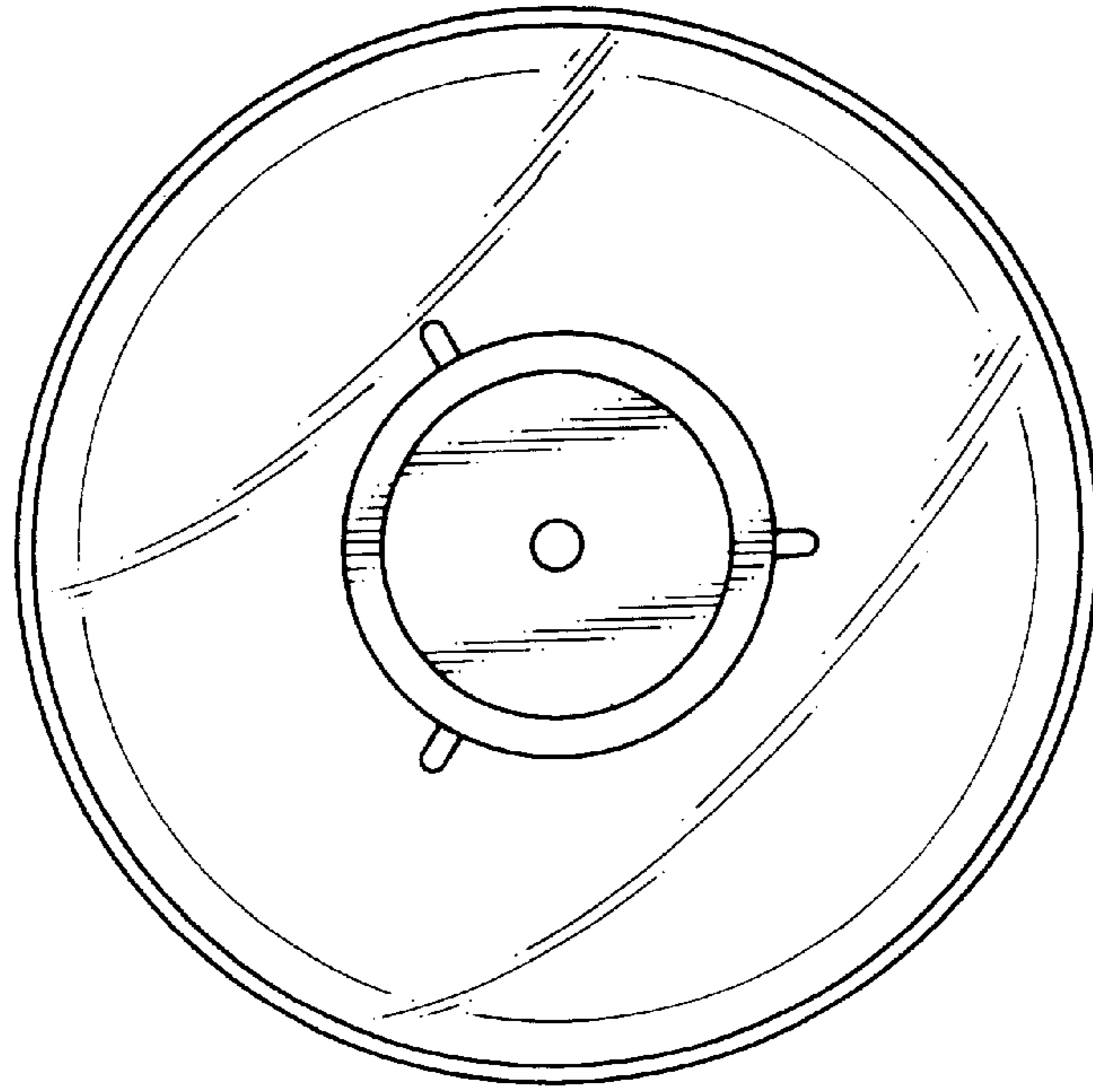


FIG. 7

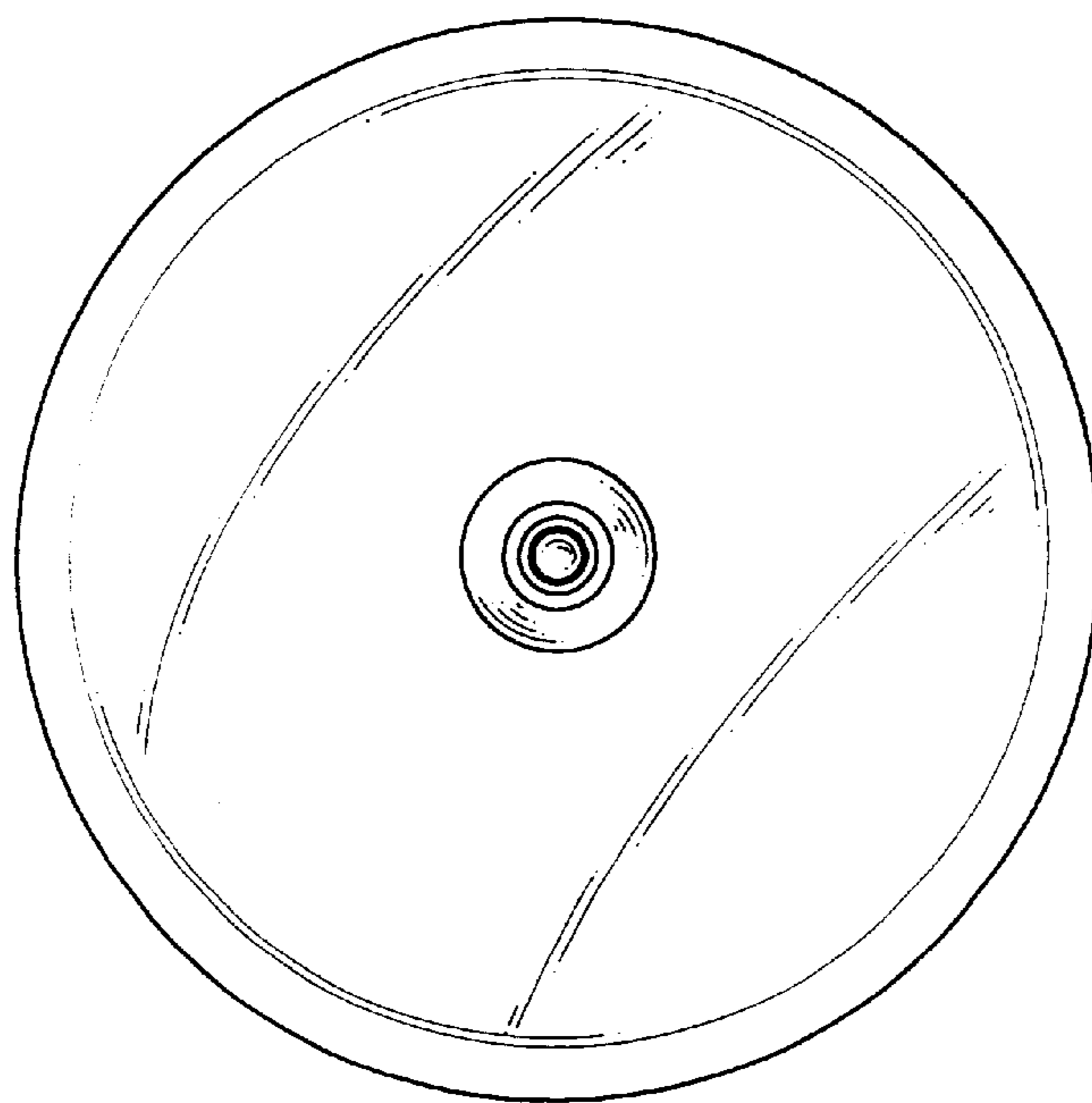


FIG. 6