



US00D437447S

(12) **United States Design Patent**
Boswell

(10) **Patent No.:** **US D437,447 S**

(45) **Date of Patent:** **** Feb. 6, 2001**

(54) **FISHING POLE LAMP**

534925 3/1941 (GB) .

(76) Inventor: **Rex Ryan Boswell**, 1521 22nd St., Port Huron, MI (US) 48060

(**) Term: **14 Years**

(21) Appl. No.: **29/082,926**

(22) Filed: **Jan. 16, 1998**

(51) **LOC (7) Cl.** **26-03**

(52) **U.S. Cl.** **D26/94**

(58) **Field of Search** D26/94, 60-66;
362/269, 274, 277, 285, 418, 419, 427,
410; 43/17.5

(56) **References Cited**

U.S. PATENT DOCUMENTS

D. 108,216	2/1938	Ozlek	D26/94
D. 120,554	* 5/1940	Lynch	D26/94
D. 163,813	* 7/1951	Moss et al.	D26/94
D. 194,062	11/1962	Winter	D26/94
D. 248,254	6/1978	Miller	D26/94
D. 292,617	11/1987	Werth	D26/94
D. 343,696	1/1994	Ruxer	D26/94
D. 368,975	4/1996	Schwartz	D26/94
D. 376,442	12/1996	Locklear et al.	D26/94
4,026,059	* 5/1977	Ochs	43/17.5
5,420,773	5/1995	Huang	362/410
5,566,493	10/1996	Minorics	43/17.5

FOREIGN PATENT DOCUMENTS

1180156 2/1959 (FR) .

OTHER PUBLICATIONS

Orvis Catalog, Fall 1998, The Orvis Co., Inc., Manchester, Vt., p. 114, "Orvis Fly-Rod Lamp".

* cited by examiner

Primary Examiner—Freda Nunn

(74) *Attorney, Agent, or Firm*—Christopher John Rudy

(57) **CLAIM**

The ornamental design for a fishing pole lamp, as shown and described.

DESCRIPTION

FIG. 1 is a front elevational view of a fishing pole lamp showing my new design, an electrical cord being shown in broken lines for illustrative purposes only and forms no part of the design;

FIG. 2 is a rear, elevational view thereof;

FIG. 3 is a left, elevational view thereof;

FIG. 4 is a right, elevational view thereof;

FIG. 5 is a top view thereof;

FIG. 6 is a bottom view thereof; and

FIG. 7 is a front, perspective view thereof; and,

FIG. 8 is a front perspective view of another embodiment of a fishing pole lamp of the invention, this embodiment having a different base shape and a lure rather than a bobber as fishing tackle with the fishing line, the other views being otherwise similar to those shown in FIGS. 1-6.

1 Claim, 3 Drawing Sheets

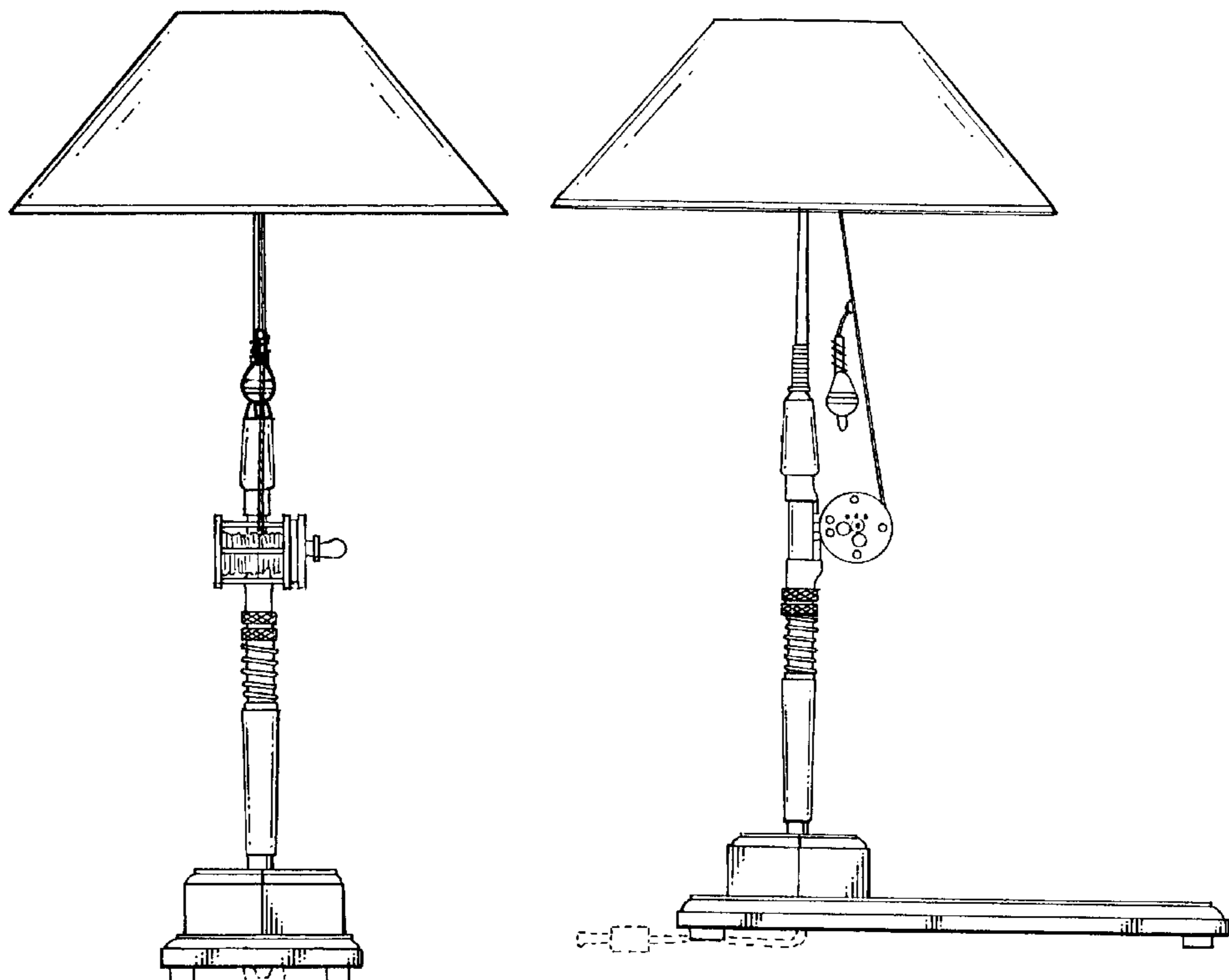


Fig. 1

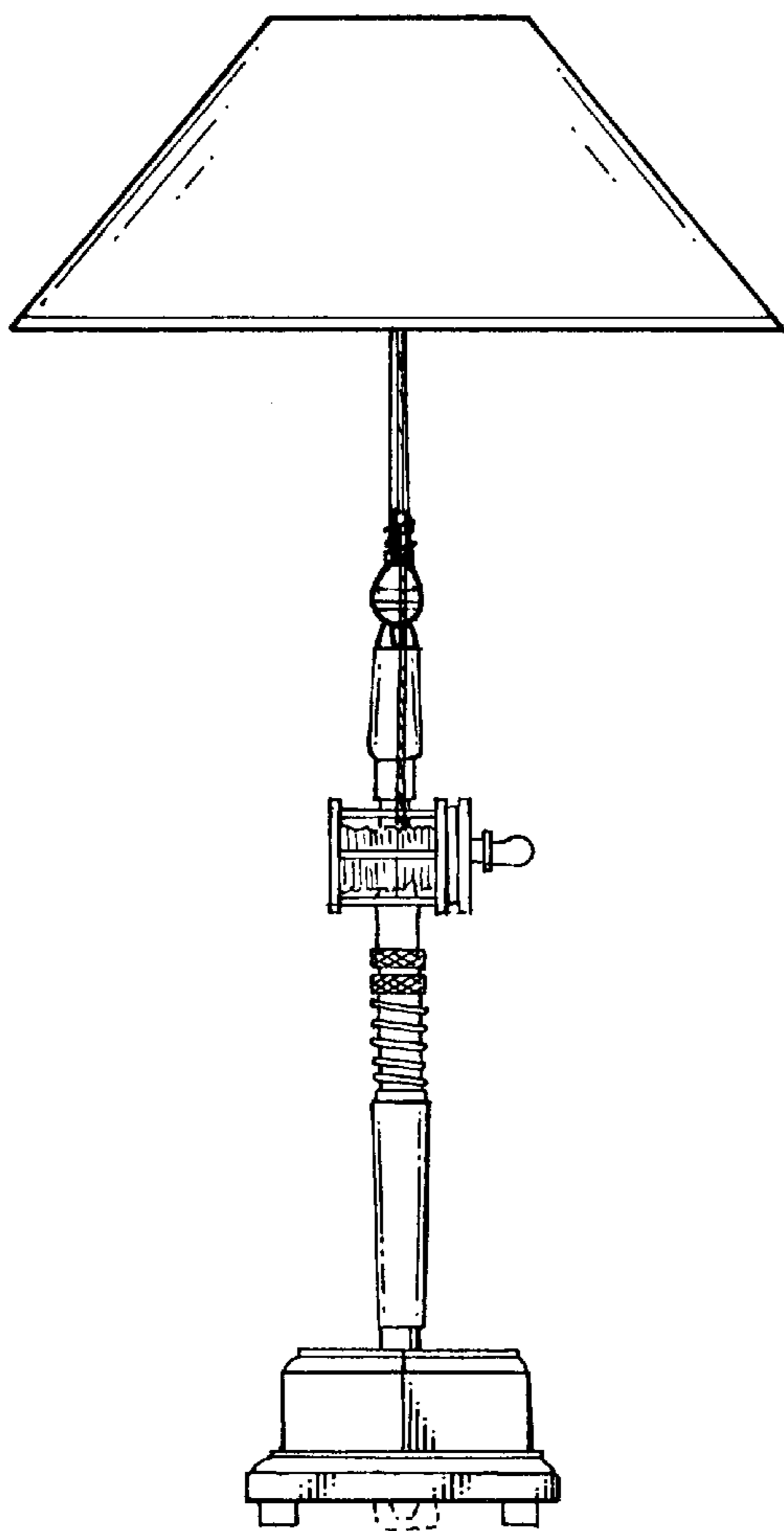


Fig. 2

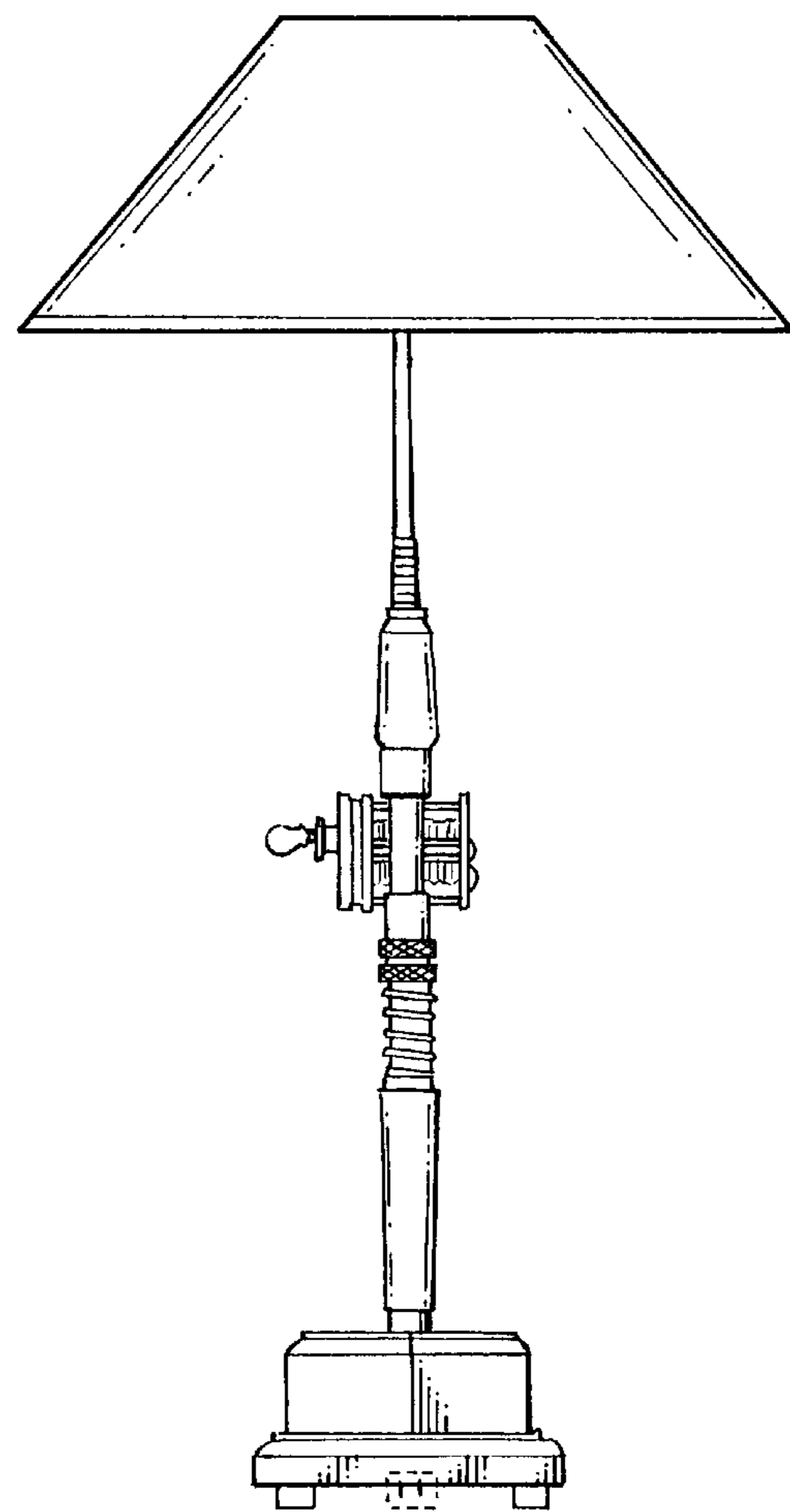


Fig. 3

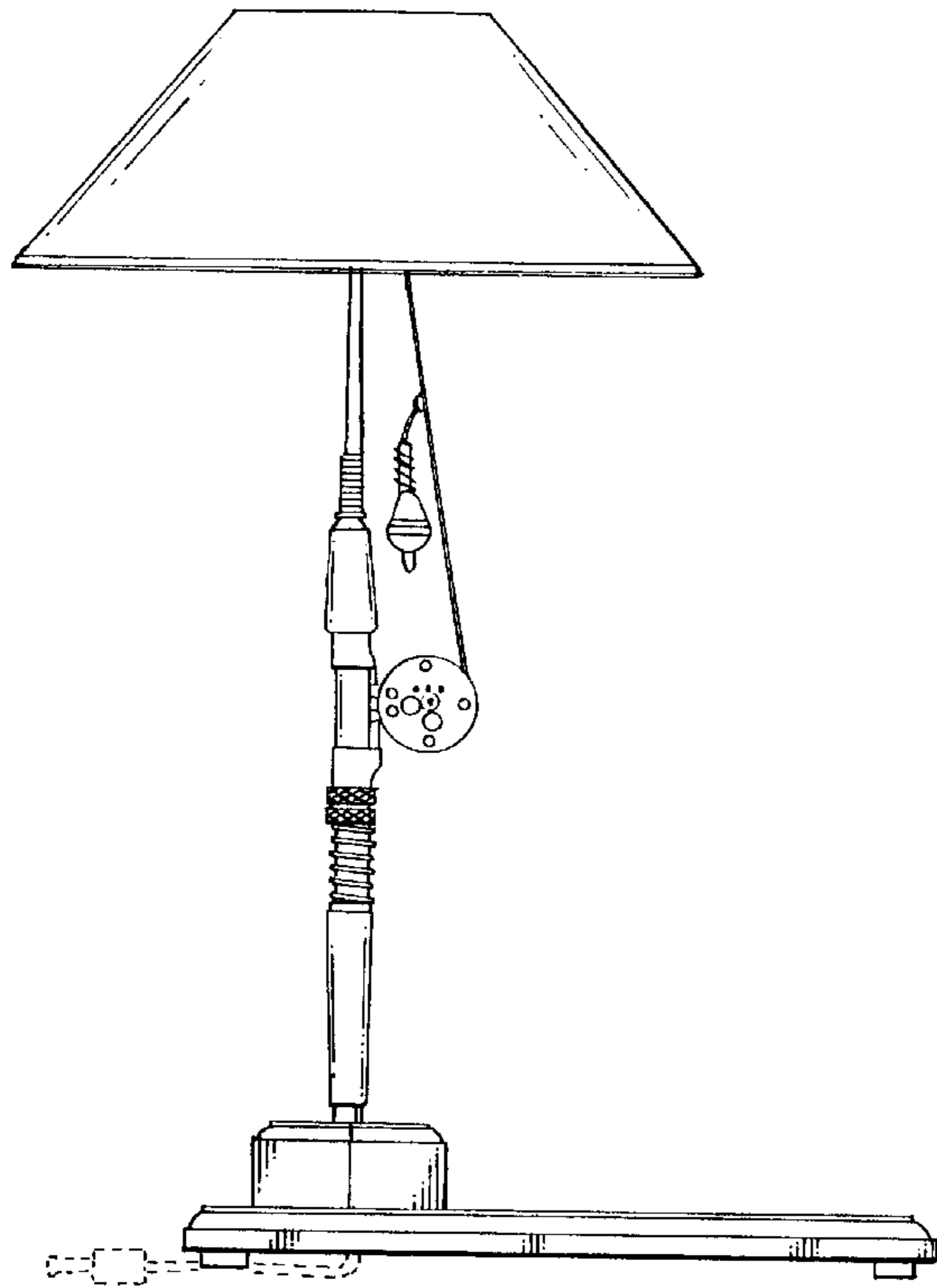


Fig. 4

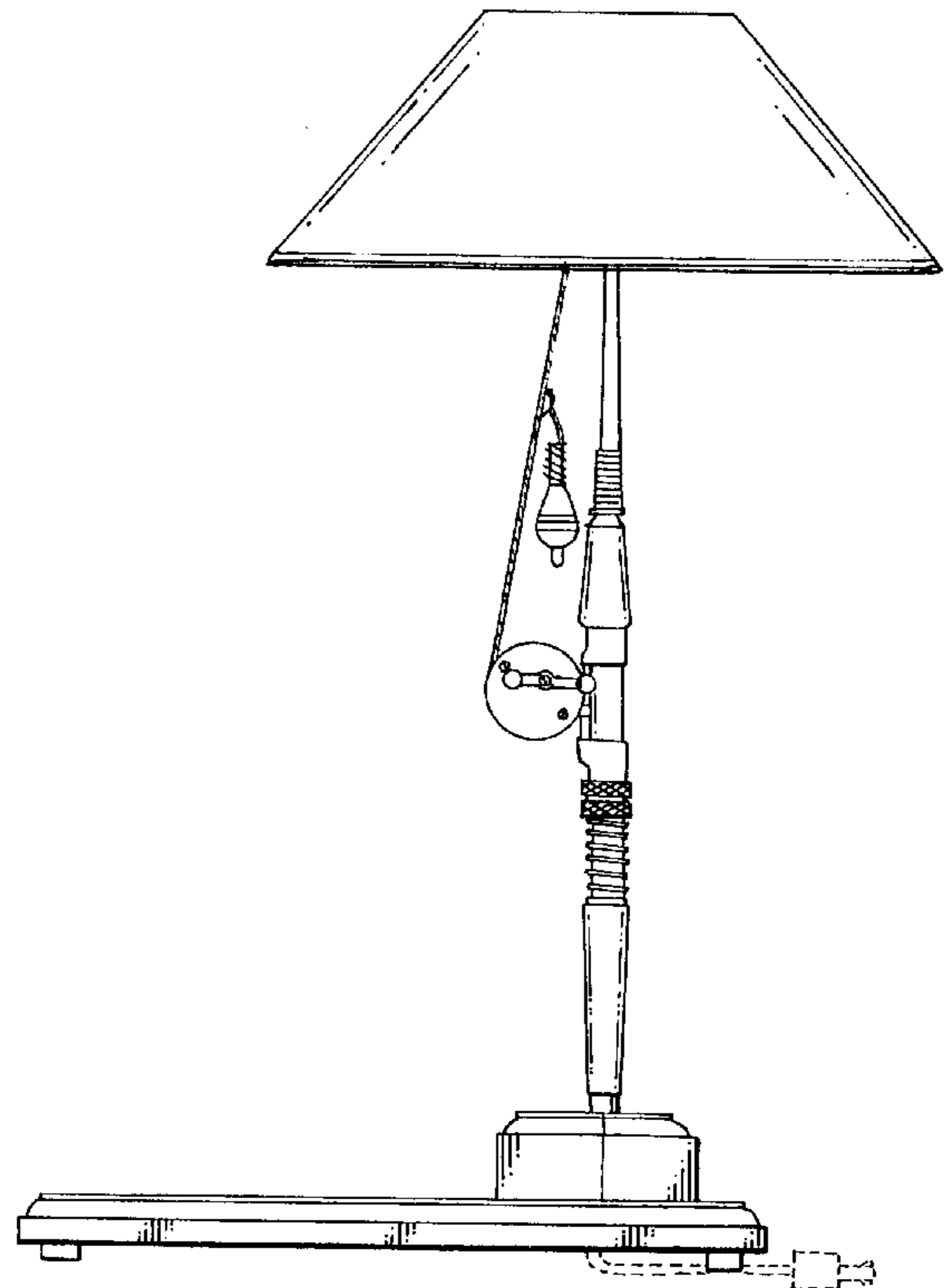


Fig. 5

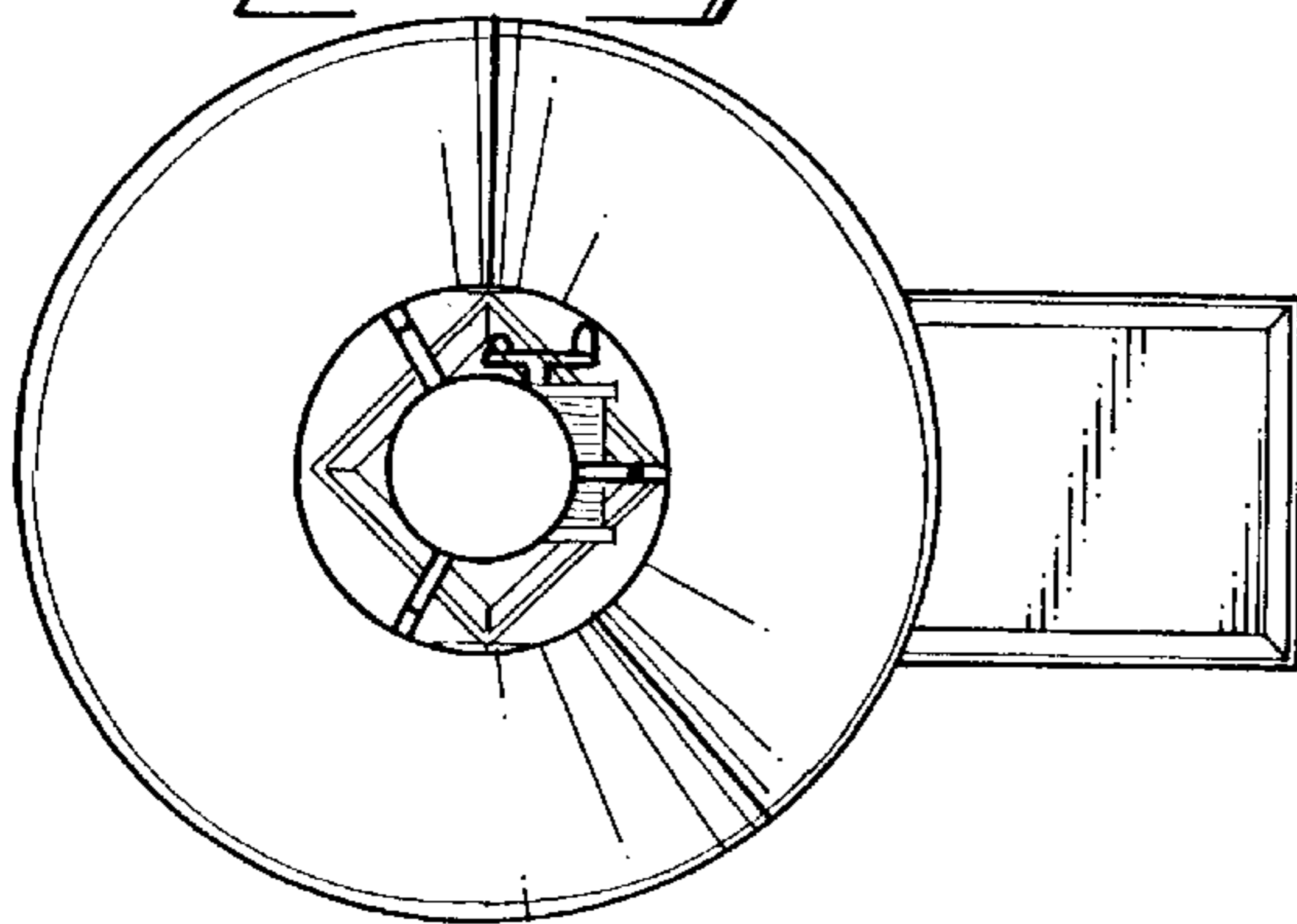


Fig. 6

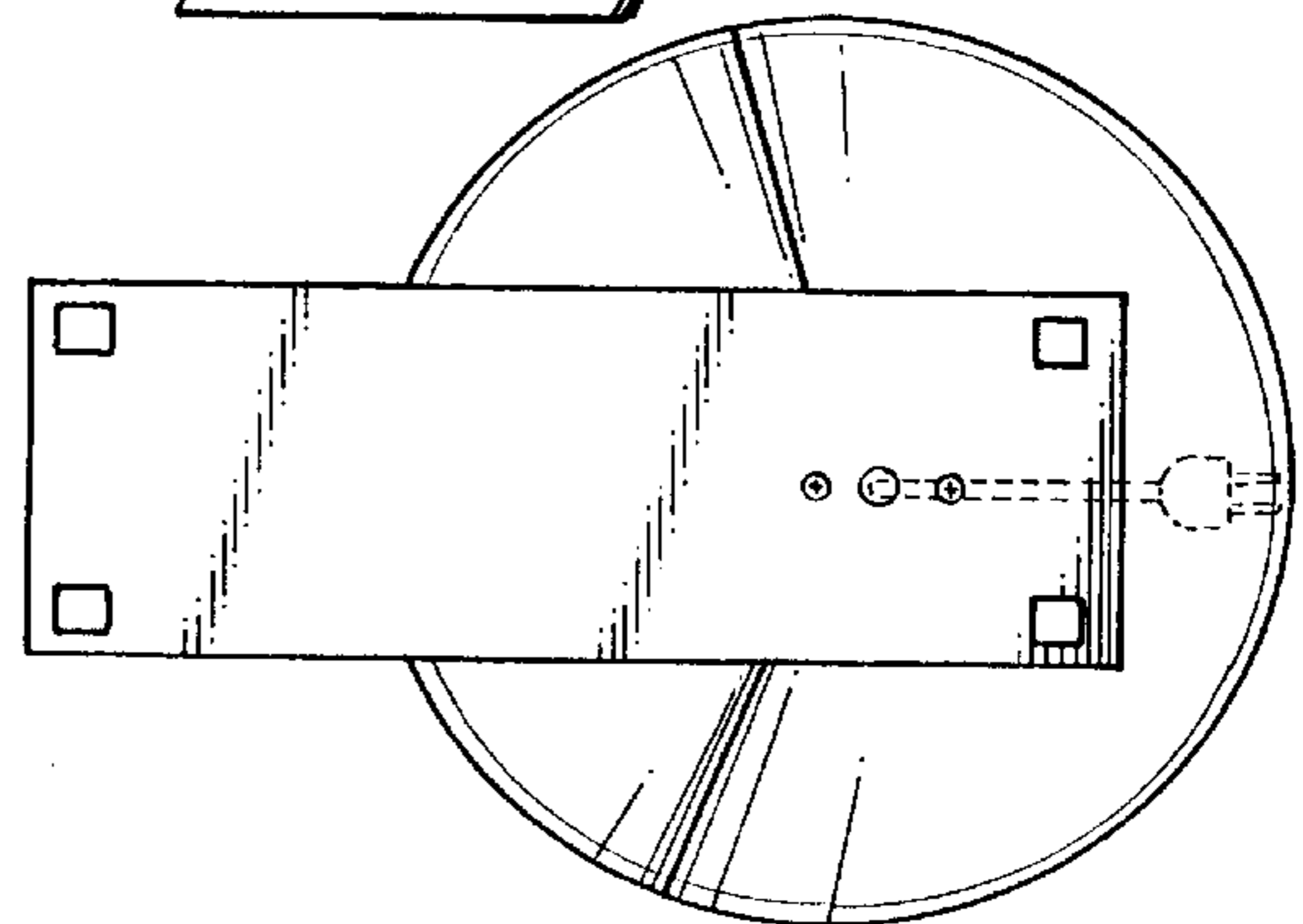


Fig. 1

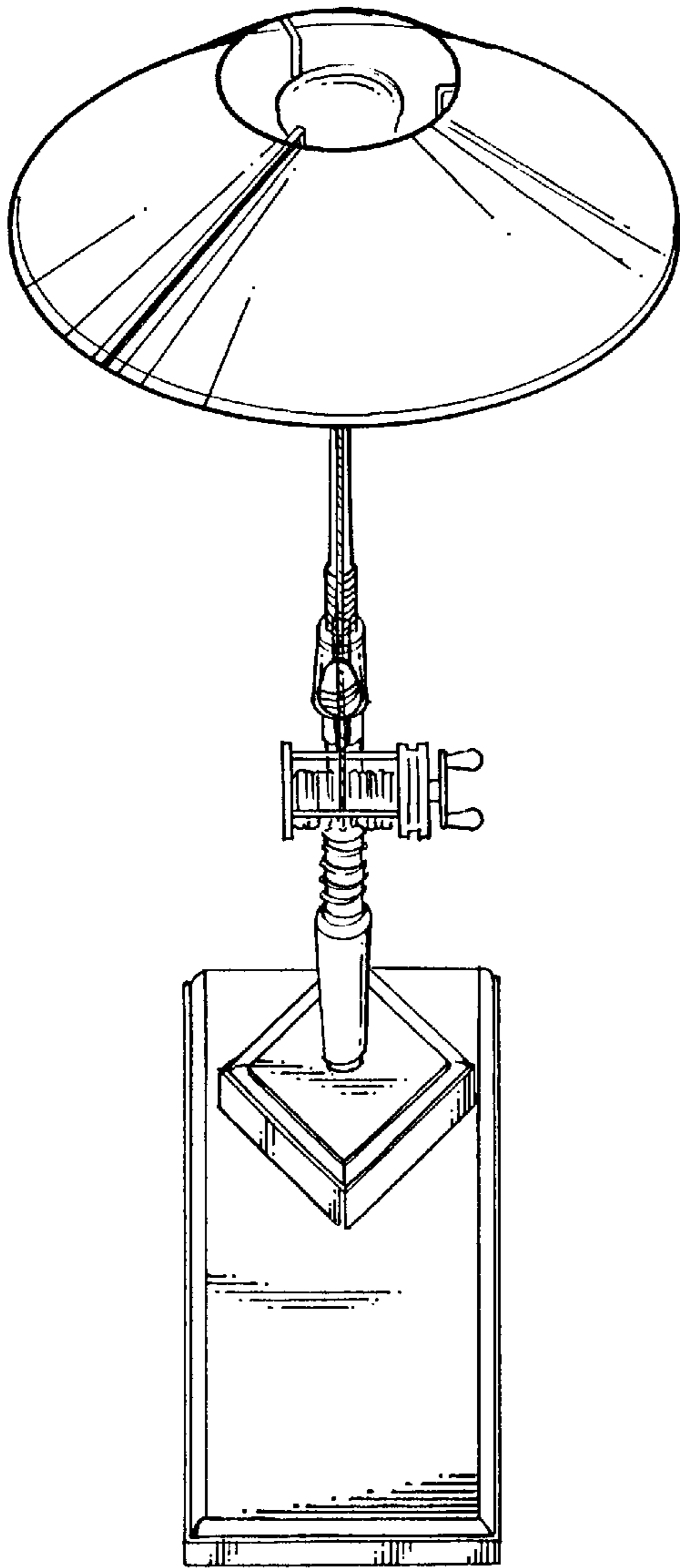


Fig. 2

