



US00D437446S

(12) **United States Design Patent**
Reo et al.

(10) **Patent No.:** **US D437,446 S**

(45) **Date of Patent:** **** Feb. 6, 2001**

(54) **LIGHTING FIXTURE**

4,344,111 * 8/1982 Ruud et al. 362/147
5,264,994 * 11/1993 Choi et al. 362/346 X

(75) Inventors: **Ann Marie Reo**, Chicago; **Eugene L. DiMonte**, Aurora, both of IL (US)

* cited by examiner

(73) Assignee: **Focal Point, LLC**, Chicago, IL (US)

Primary Examiner—Susan J. Lucas

(**) Term: **14 Years**

(74) *Attorney, Agent, or Firm*—Banner & Witcoff, Ltd.

(21) Appl. No.: **29/105,482**

(57) **CLAIM**

(22) Filed: **May 26, 1999**

The ornamental design for a lighting fixture, as shown.

(51) **LOC (7) Cl.** **26-05**

DESCRIPTION

(52) **U.S. Cl.** **D26/91**

FIG. 1 is an isometric view of a lighting fixture showing our design;

(58) **Field of Search** D26/72, 74, 80-92;
362/404, 147, 405, 406, 407, 408, 363,
364

FIG. 2 is a bottom plan view thereof;

FIG. 3 is a side elevational view thereof; and,

FIG. 4 is a cross-sectional view taken along line 4-4 of FIG. 2.

(56) **References Cited**

U.S. PATENT DOCUMENTS

4,238,815 * 12/1980 Price 362/346

1 Claim, 3 Drawing Sheets

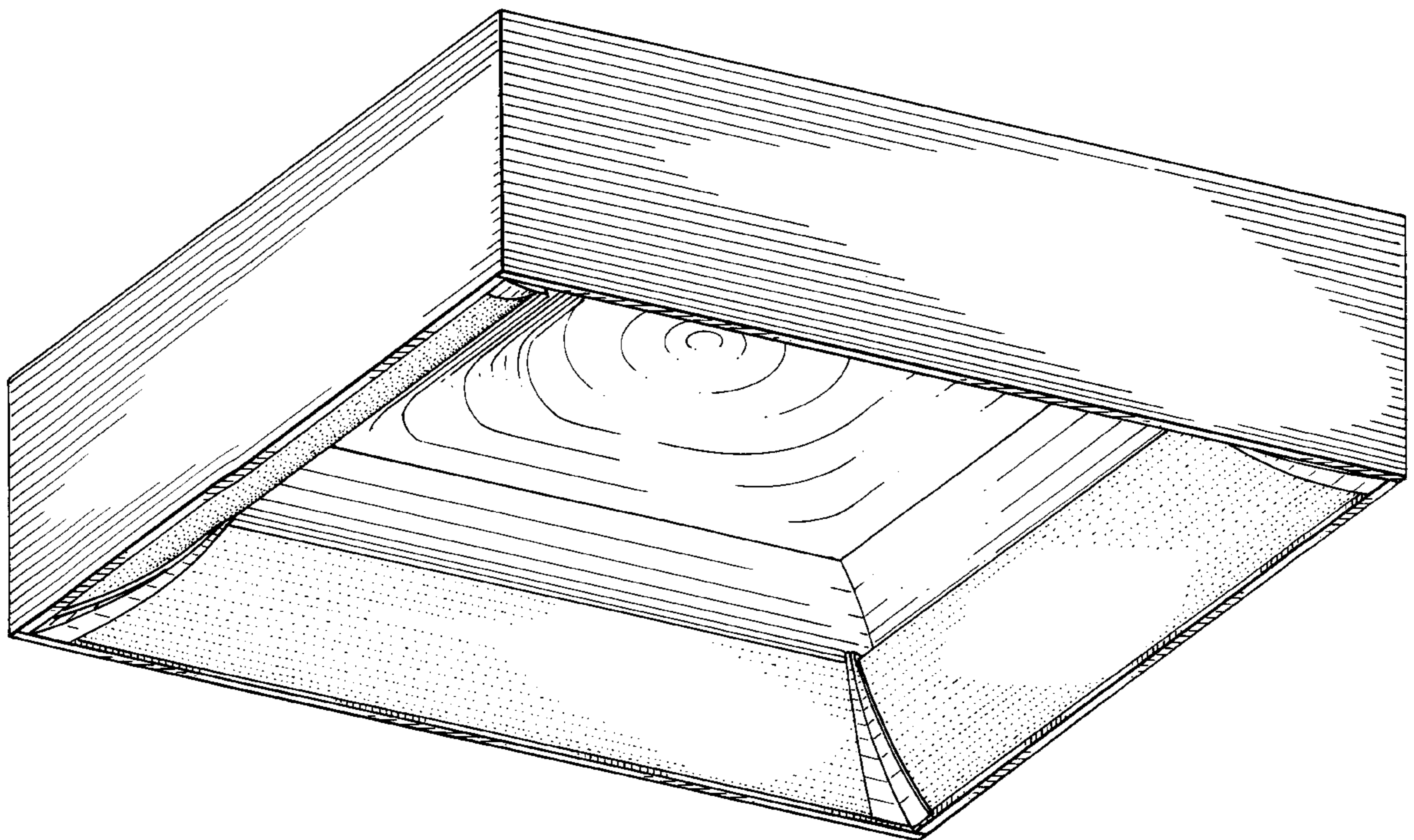


FIG. 1

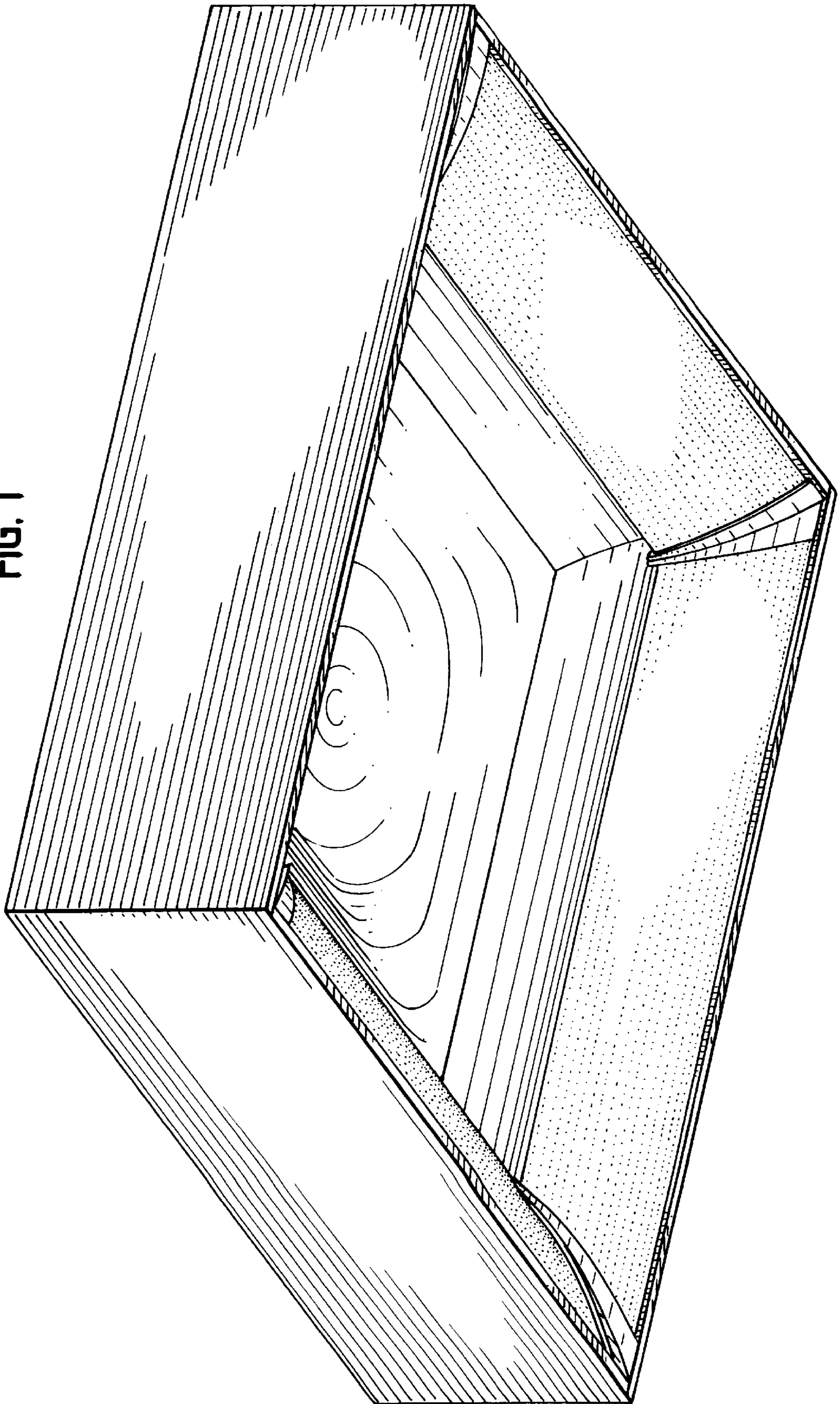


FIG. 2

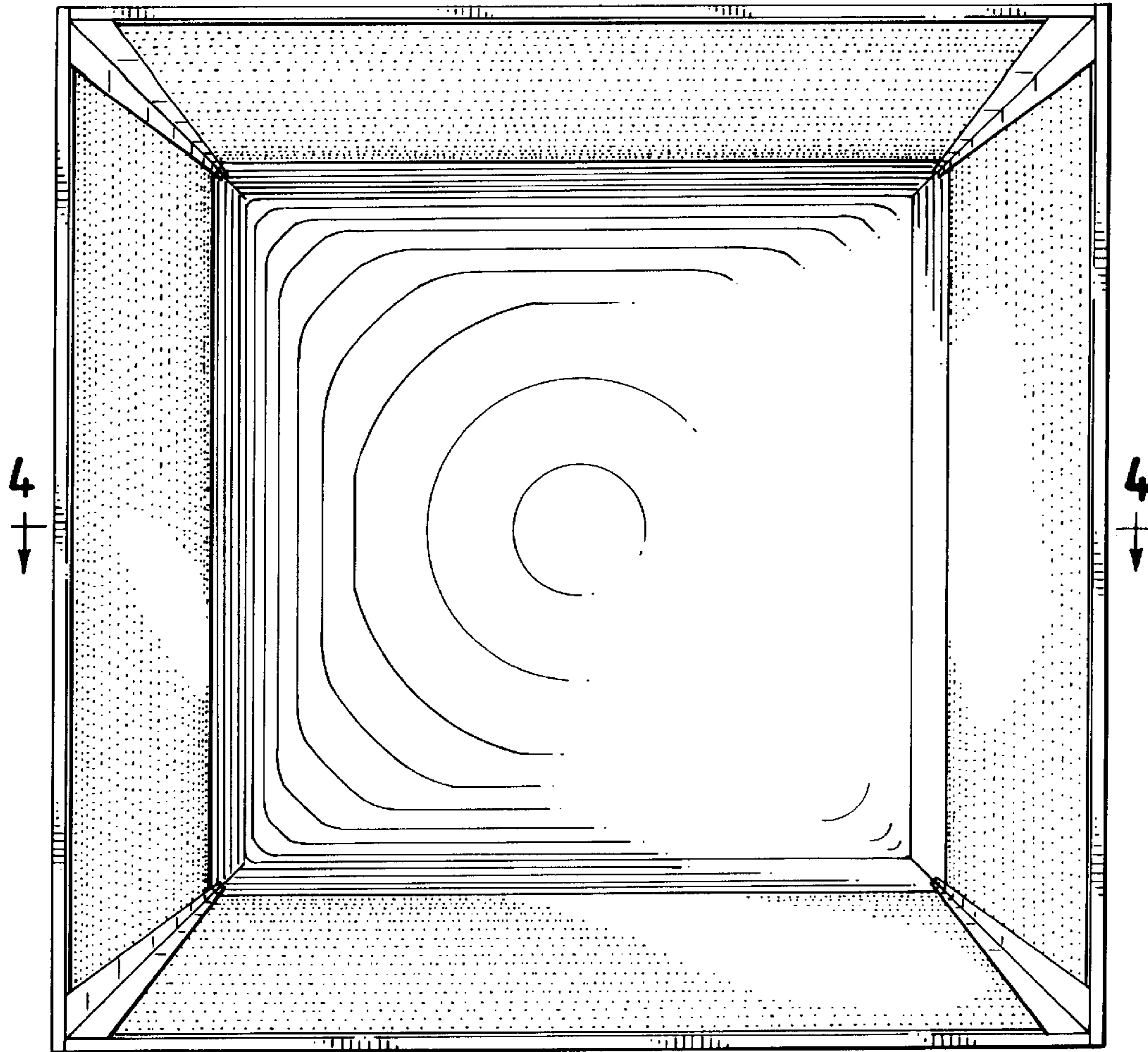


FIG. 3

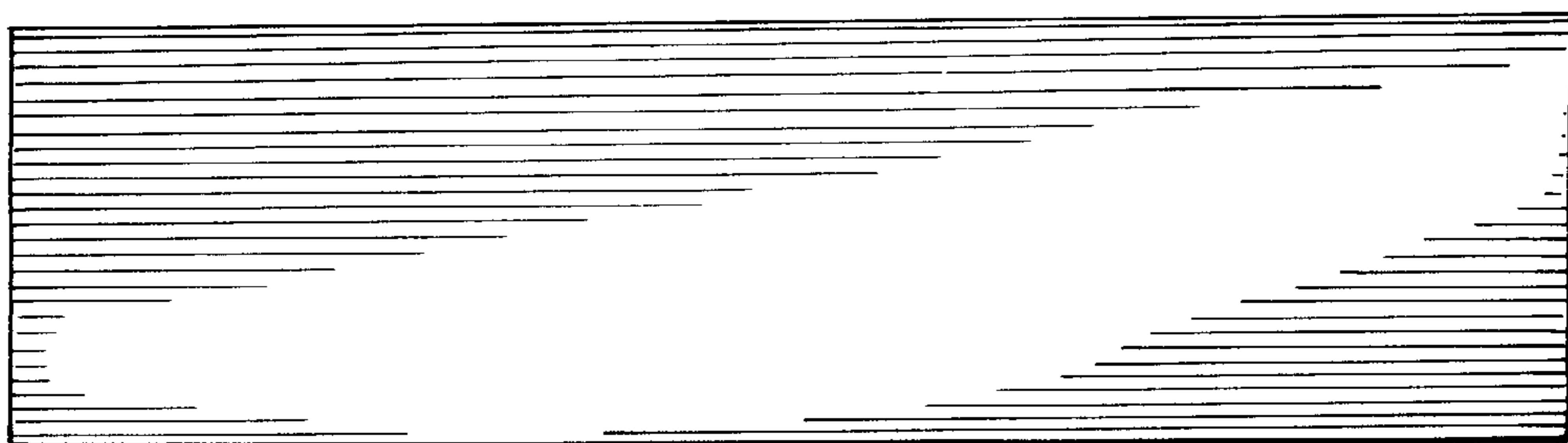


FIG. 4

