



US00D437442S

(12) **United States Design Patent**
Lucas

(10) **Patent No.:** **US D437,442 S**

(45) **Date of Patent:** **** Feb. 6, 2001**

(54) **VENTED WORK LIGHT**

(76) **Inventor:** **James W. Lucas**, 1001 Durward Hall
Dr., Carthage, MO (US) 64836-3204

(**) **Term:** **14 Years**

(21) **Appl. No.:** **29/105,903**

(22) **Filed:** **Jun. 3, 1999**

(51) **LOC (7) Cl.** **26-05**

(52) **U.S. Cl.** **D26/63; D26/51**

(58) **Field of Search** D26/60-66, 51;
362/247, 267, 269, 271, 272, 273, 276,
282, 283, 285, 287, 418, 419, 427, 253,
294, 296, 297, 301, 306

(56) **References Cited**

U.S. PATENT DOCUMENTS

4,109,144 * 8/1978 Vidmar 362/247

* cited by examiner

Primary Examiner—Susan J. Lucas

(74) *Attorney, Agent, or Firm*—Martin & Associates,
L.L.C.; Derek P. Martin

(57) **CLAIM**

The ornamental design for a vented work light, as shown and described.

DESCRIPTION

FIG. 1 is a perspective view of a vented work light or similar article showing my new design;

FIG. 2 is a side view thereof, the opposing side view being a mirror image;

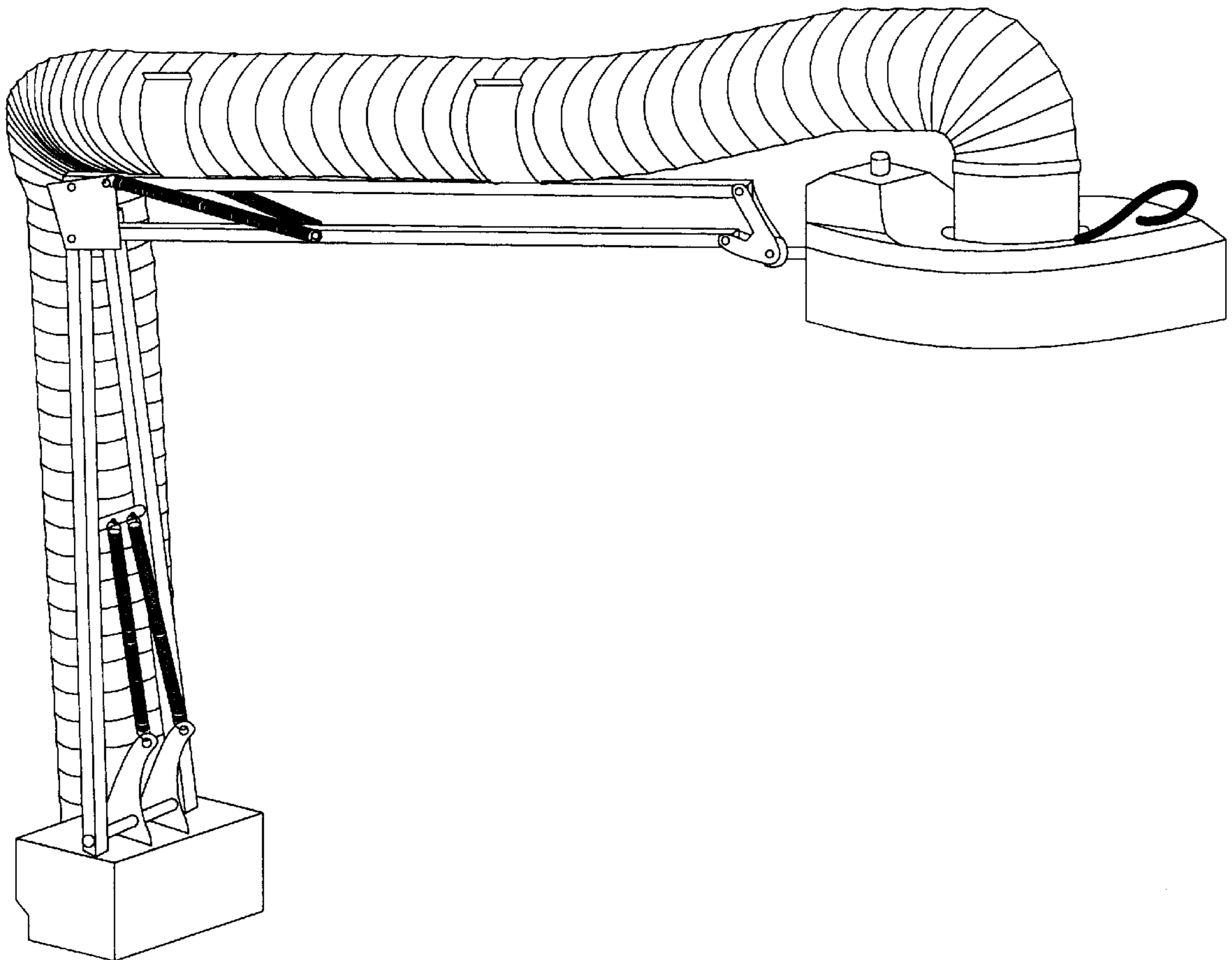
FIG. 3 is a front view thereof;

FIG. 4 is a rear view thereof;

FIG. 5 is a top view thereof; and,

FIG. 6 is a bottom view thereof.

1 Claim, 3 Drawing Sheets



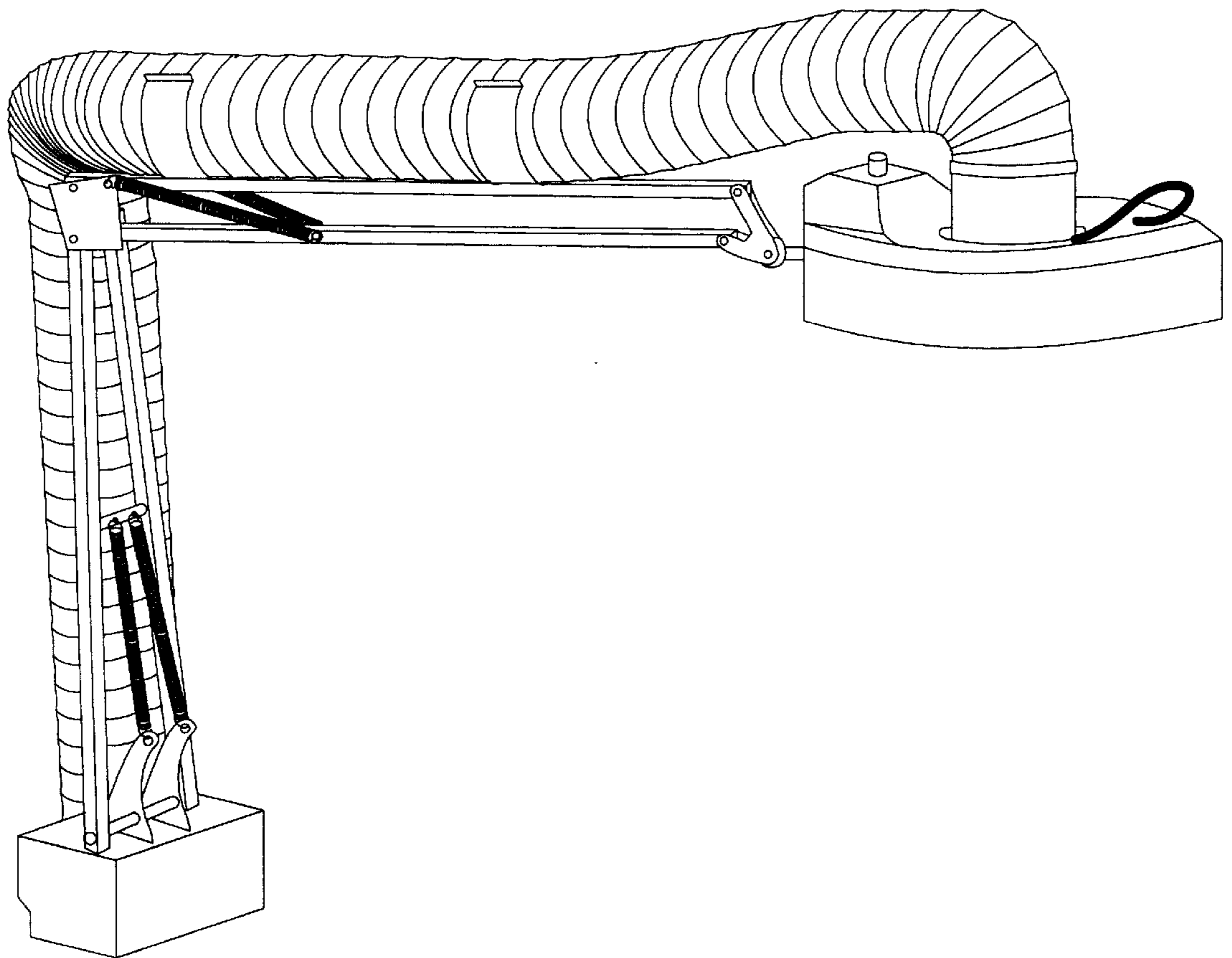


FIG. 1

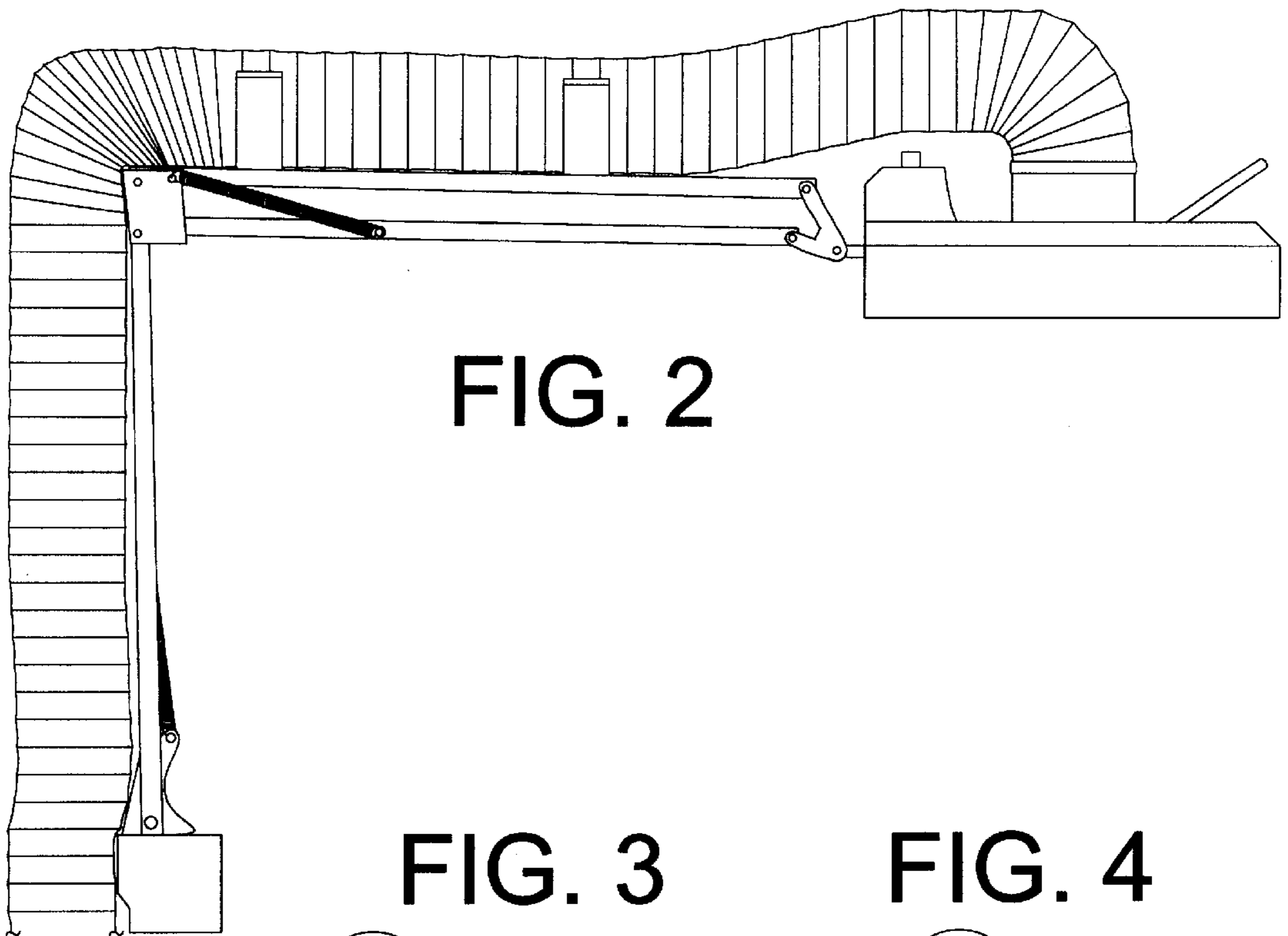


FIG. 3

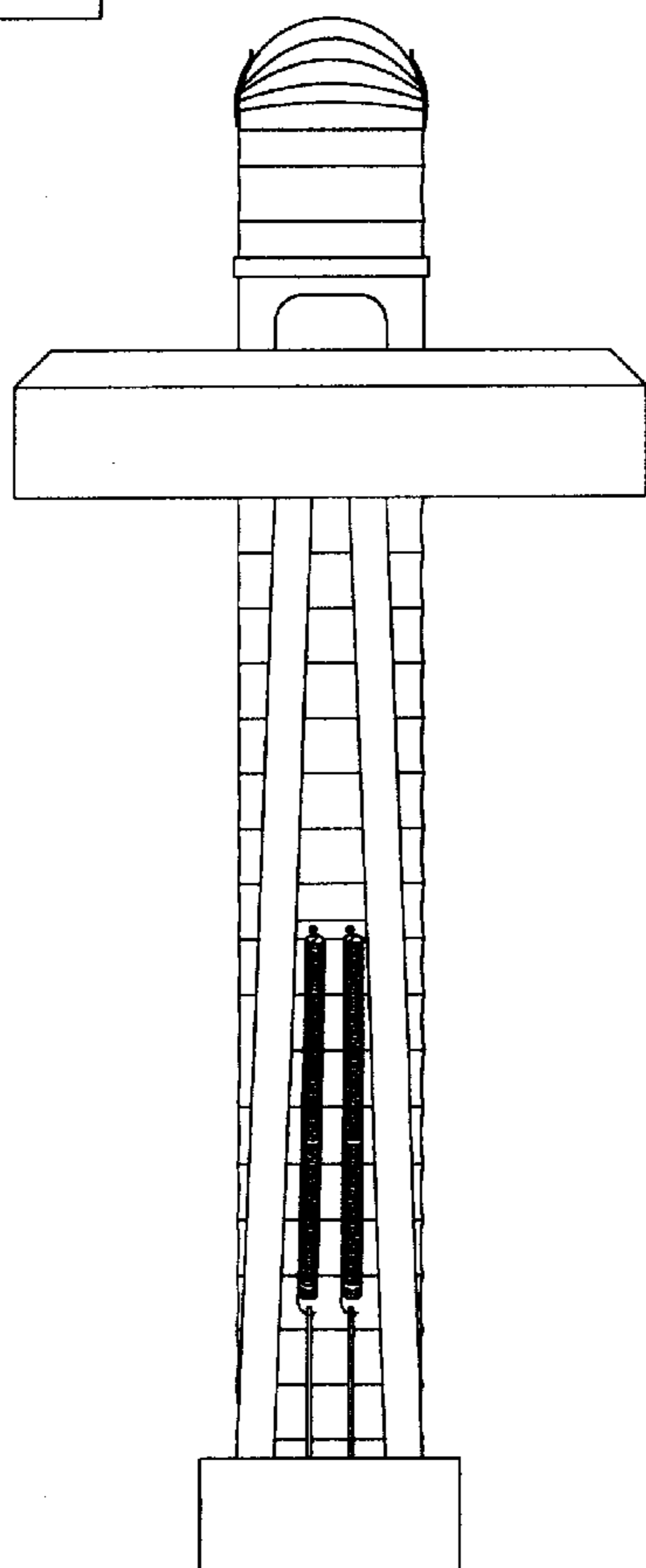
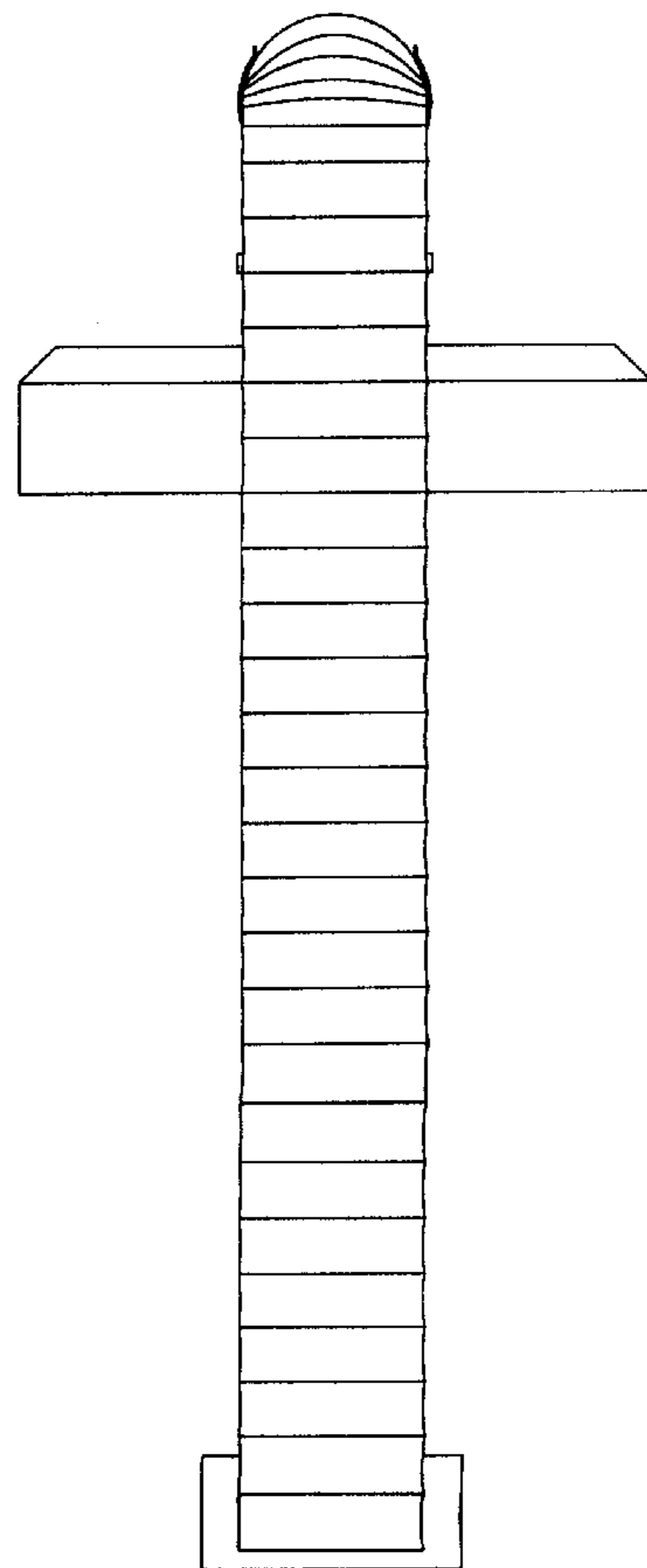


FIG. 4



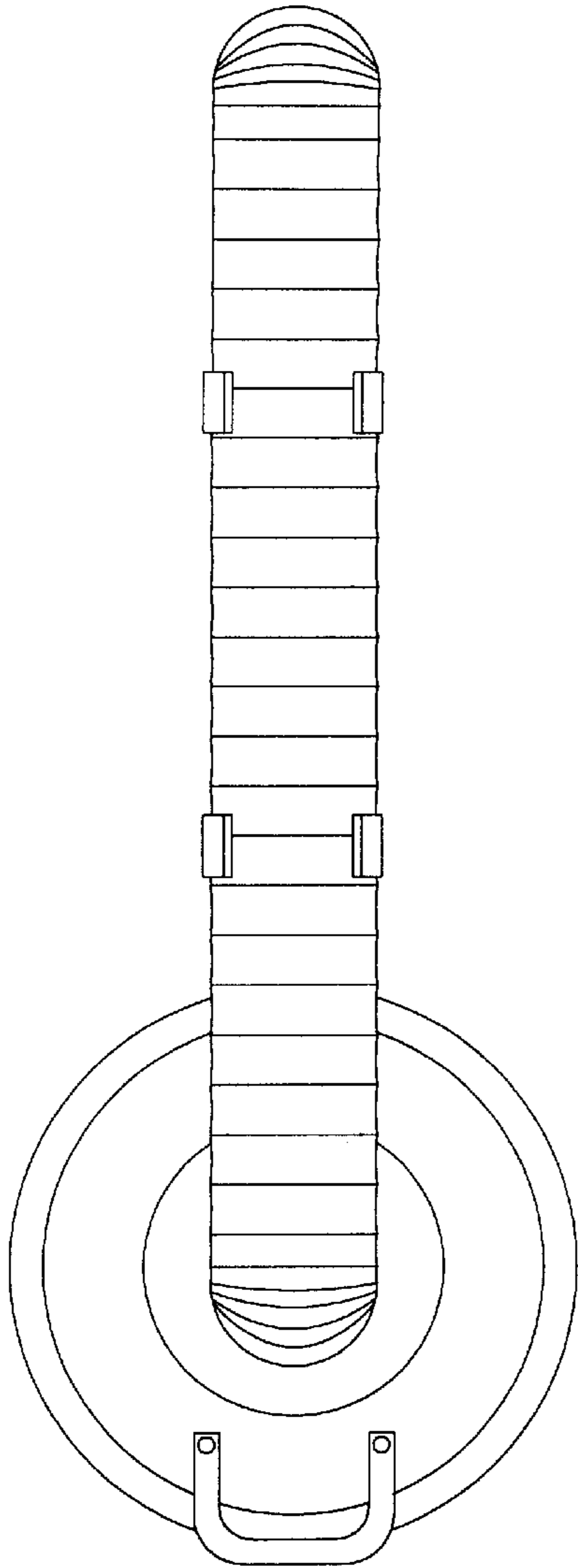


FIG. 5

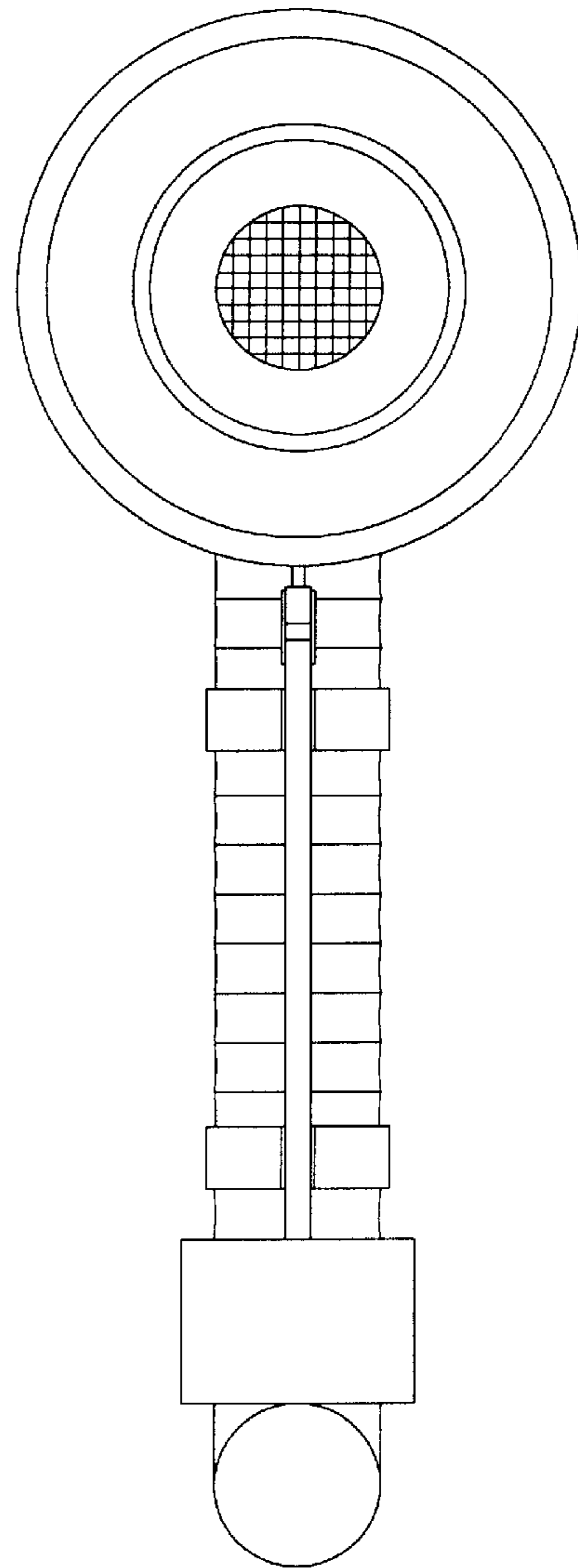


FIG. 6