



US00D437441S

(12) **United States Design Patent**
Shoemaker et al.

(10) **Patent No.:** **US D437,441 S**

(45) **Date of Patent:** **** Feb. 6, 2001**

(54) **LIGHT FIXTURE**

(75) **Inventors:** **David Charles Shoemaker;**
Christopher Michael Bryant, both of
Vicksburg, MS (US)

(73) **Assignee:** **Cooper Technologies Company,**
Houston, TX (US)

(**) **Term:** **14 Years**

(21) **Appl. No.:** **29/104,423**

(22) **Filed:** **May 5, 1999**

(51) **LOC (7) Cl.** **26-05**

(52) **U.S. Cl.** **D26/63**

(58) **Field of Search** D26/60-66; 362/267,
362/269, 271, 272, 273, 276, 282, 283,
285, 287, 418, 419, 427, 296, 297, 301,
306

(56) **References Cited**

U.S. PATENT DOCUMENTS

- D. 252,983 * 9/1979 Altman D26/63
- D. 417,024 * 11/1999 Stuyfzand D26/63

- D. 424,728 * 5/2000 Green et al. D26/63
- 2,798,938 * 7/1957 Jewell D26/64 X
- 2,944,143 * 7/1960 Gunther D26/64 X

* cited by examiner

Primary Examiner—Susan J. Lucas

(74) *Attorney, Agent, or Firm*—Fish & Richardson, PC

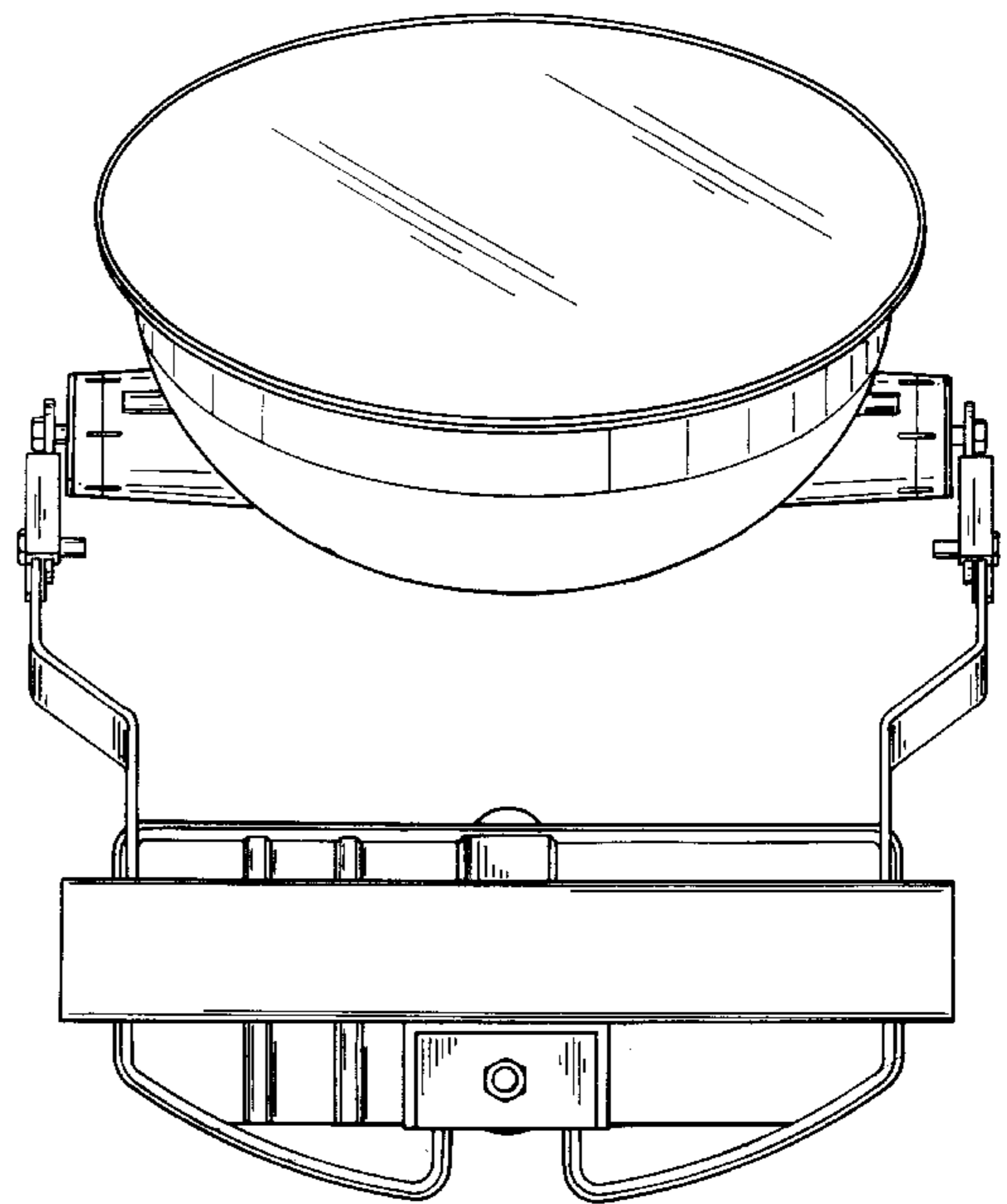
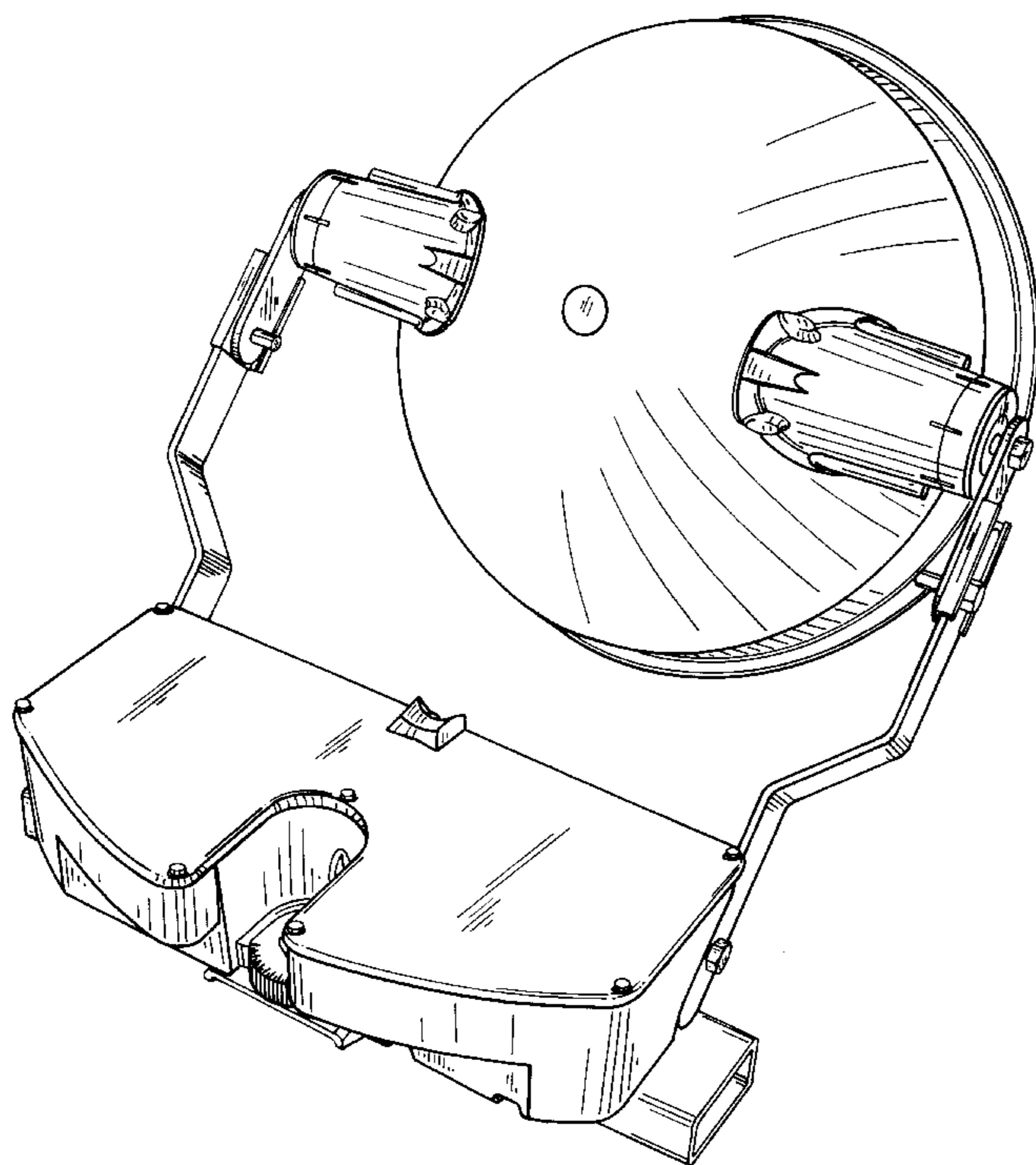
(57) **CLAIM**

The ornamental design for a light fixture, as shown and described.

DESCRIPTION

FIG. 1 is a perspective view of a light fixture of our new design in an aimed position;
 FIG. 2 is a rear view of the assembly of FIG. 1;
 FIG. 3 is a front view of the assembly of FIG. 1;
 FIGS. 4 and 5 are side views of the assembly of FIG. 1;
 FIG. 6 is a top view of the assembly of FIG. 1;
 FIG. 7 is a bottom view of the assembly of FIG. 1;
 FIG. 8 is a perspective view of the assembly of FIG. 1 in a relamping position;
 FIG. 9 is a rear view of the assembly of FIG. 8; and,
 FIG. 10 is a side view of the assembly of FIG. 8.

1 Claim, 10 Drawing Sheets



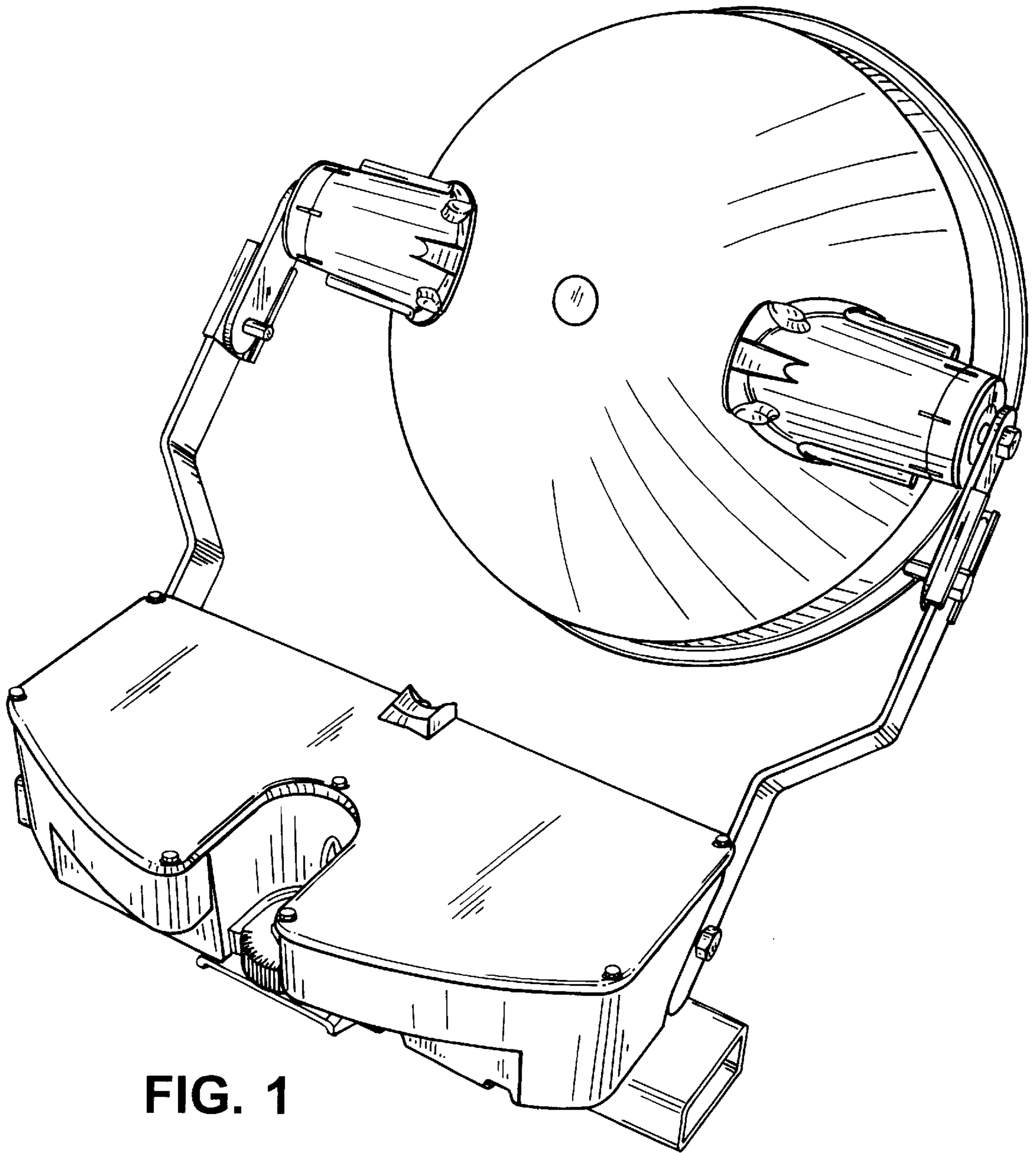


FIG. 1

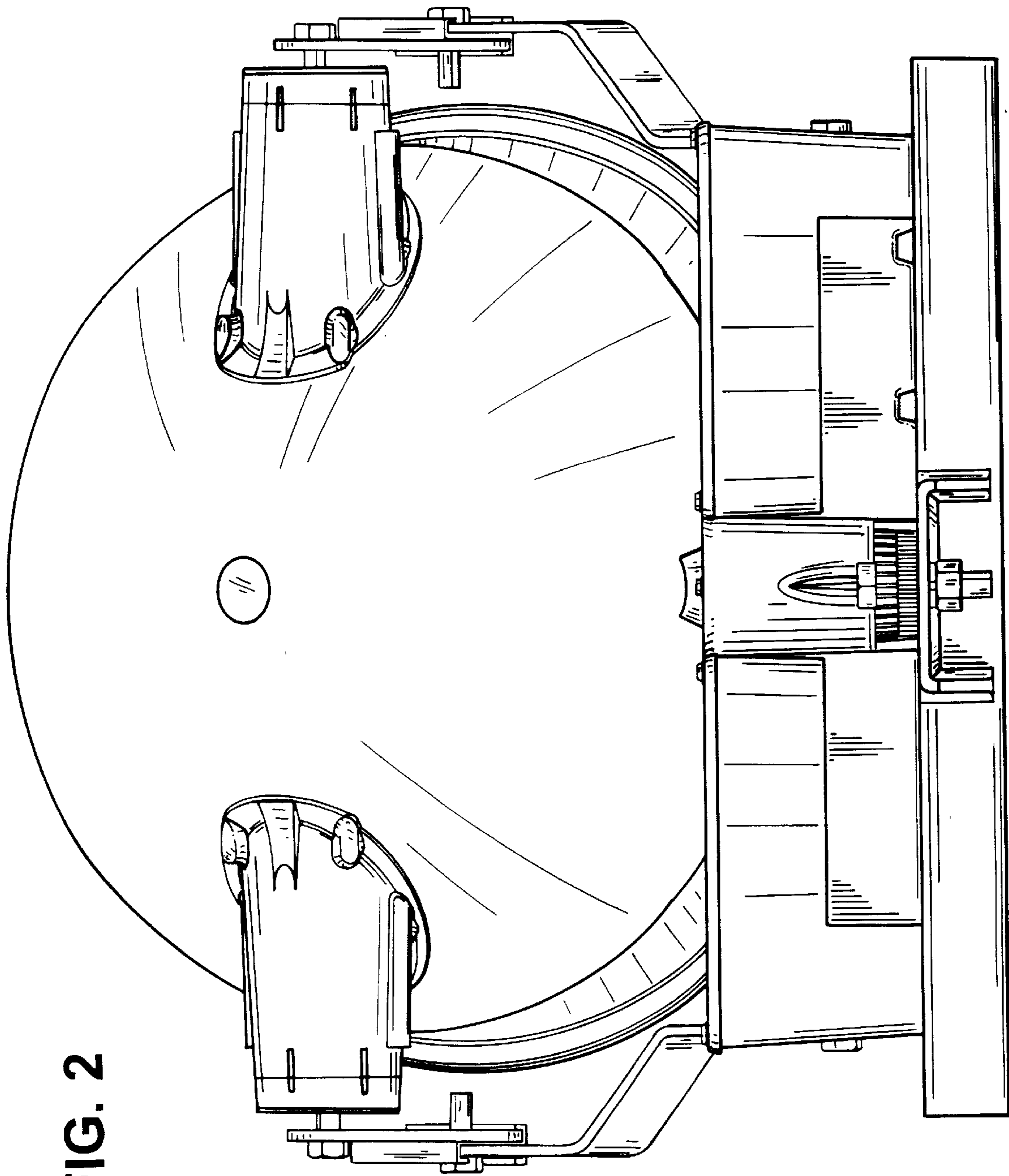


FIG. 2

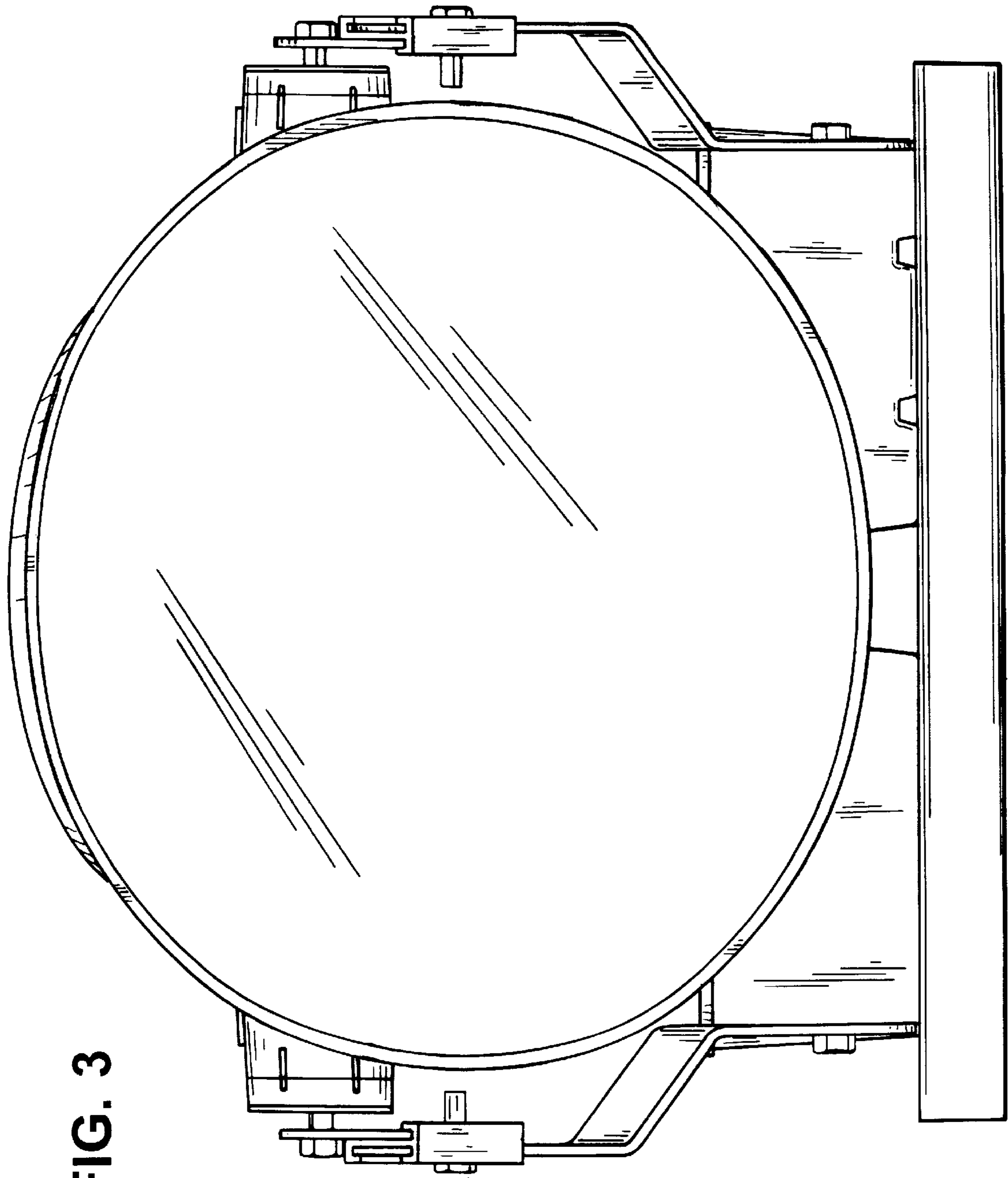
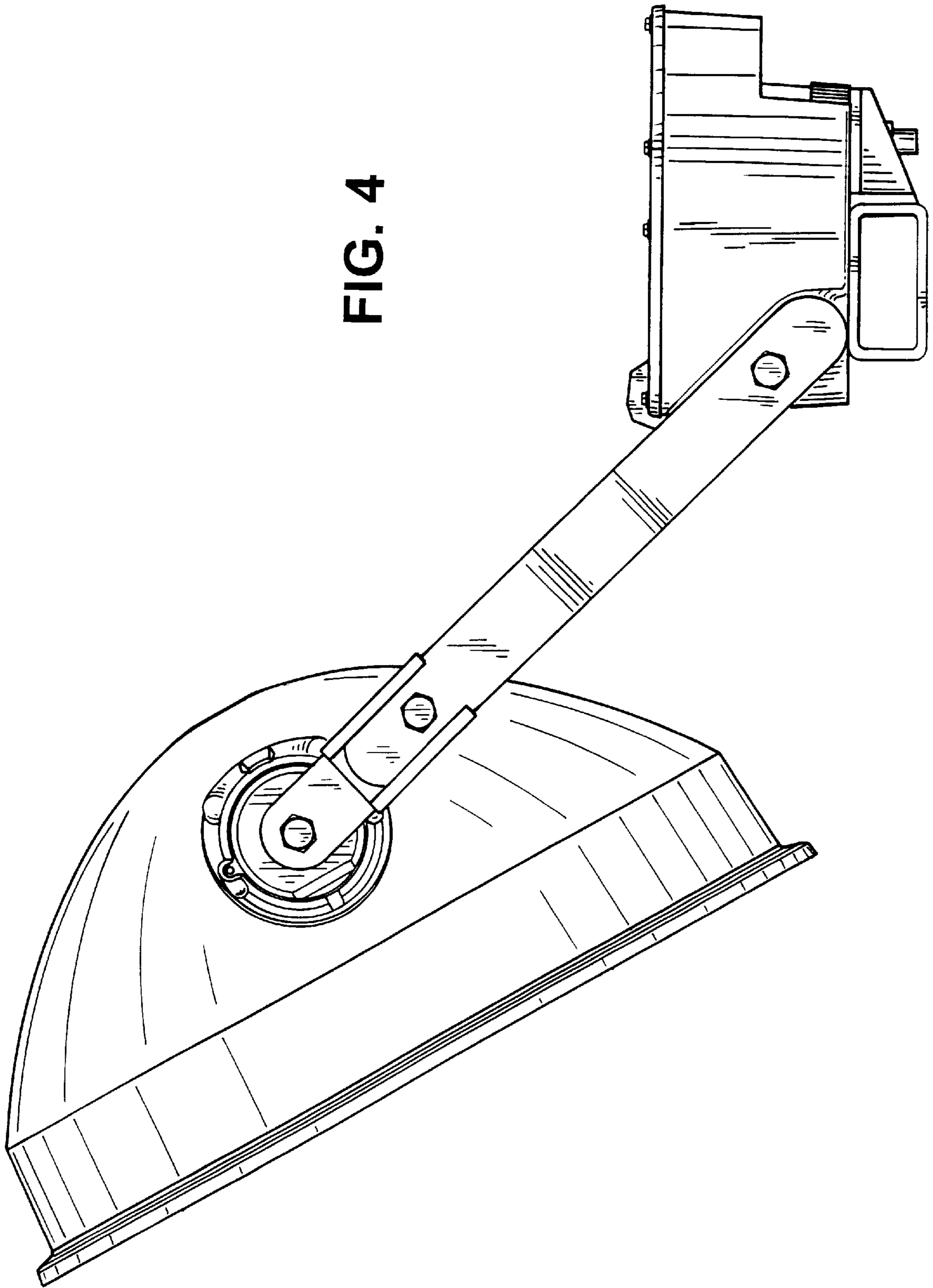


FIG. 3

FIG. 4



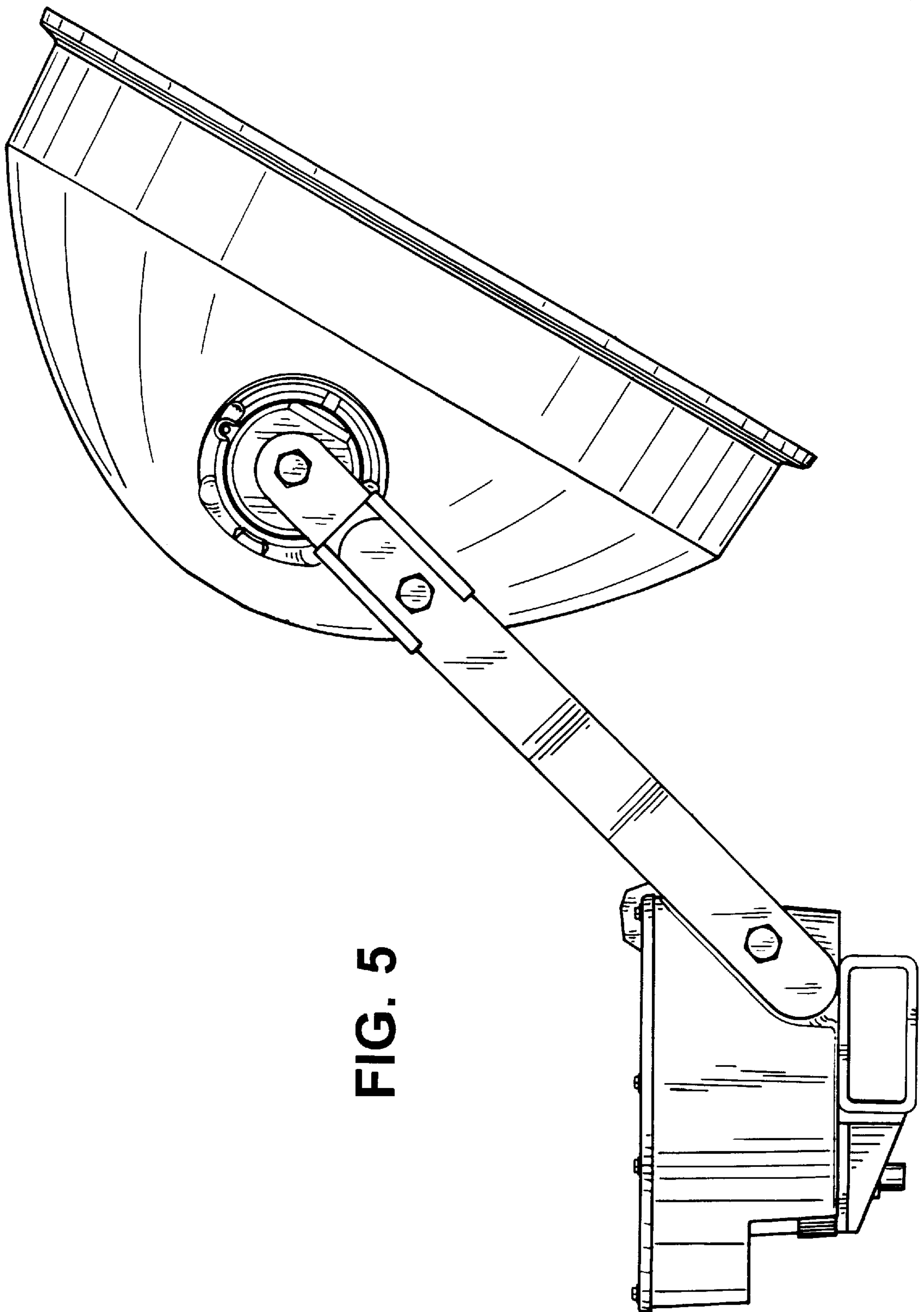


FIG. 5

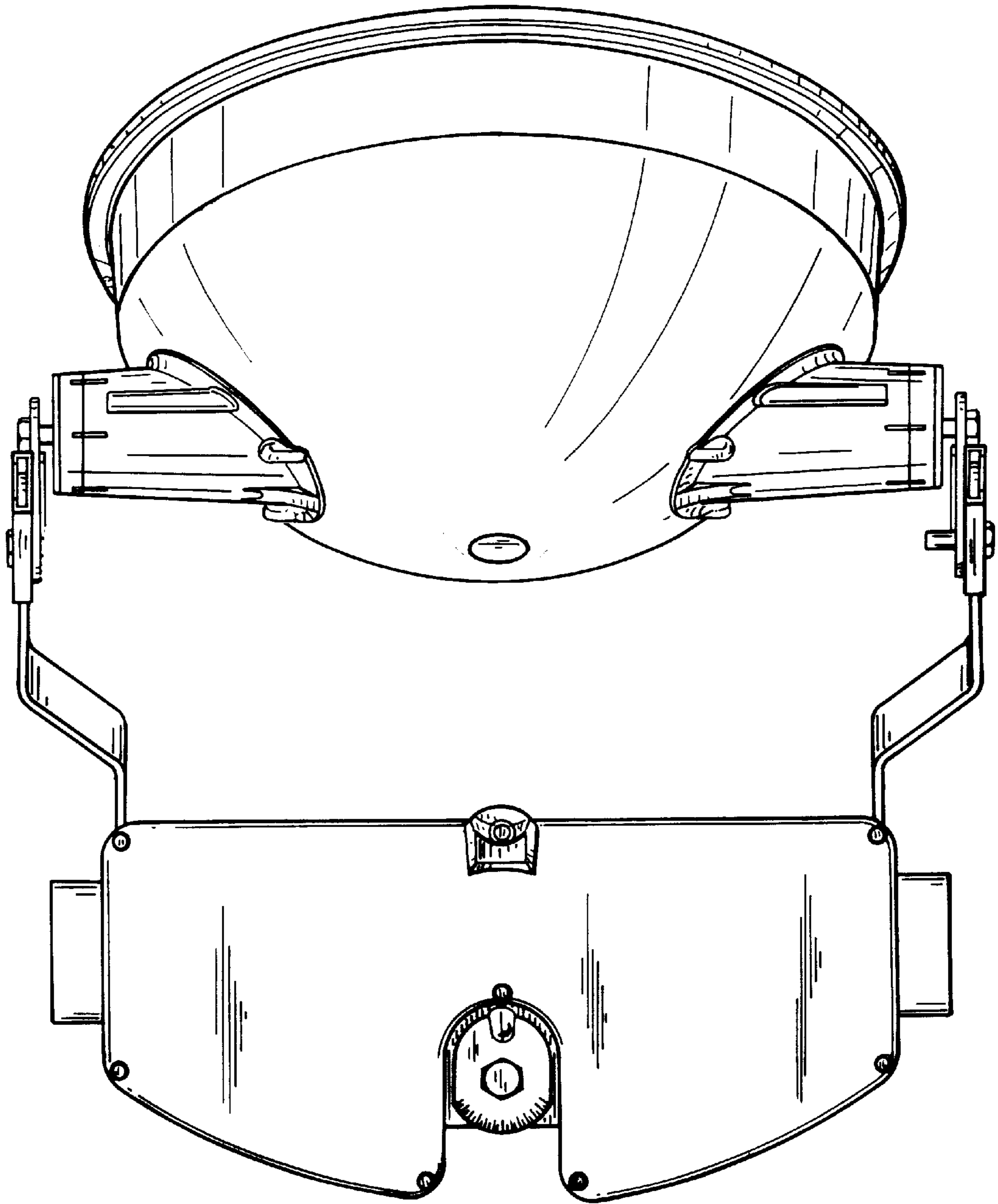


FIG. 6

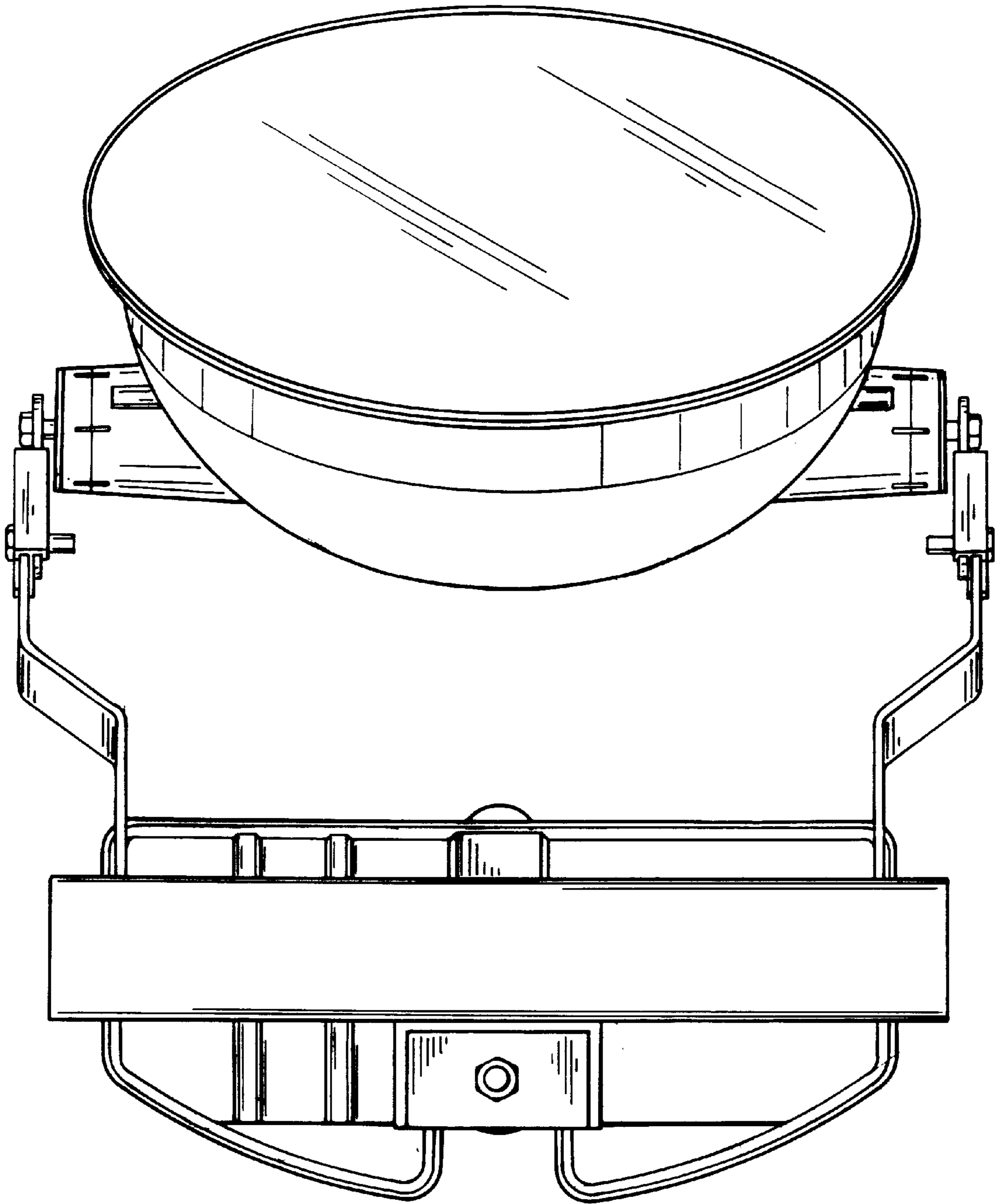


FIG. 7

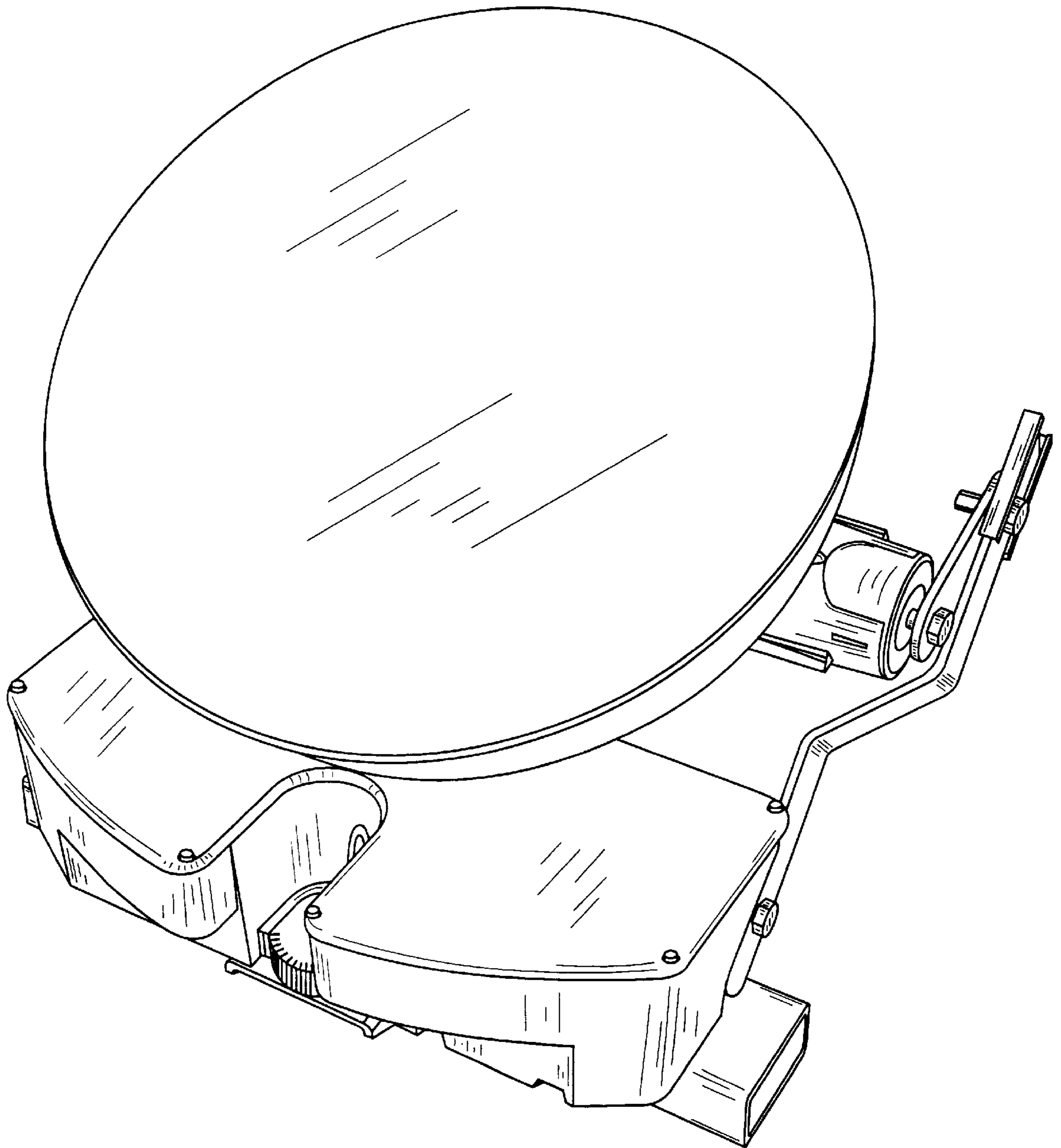


FIG. 8

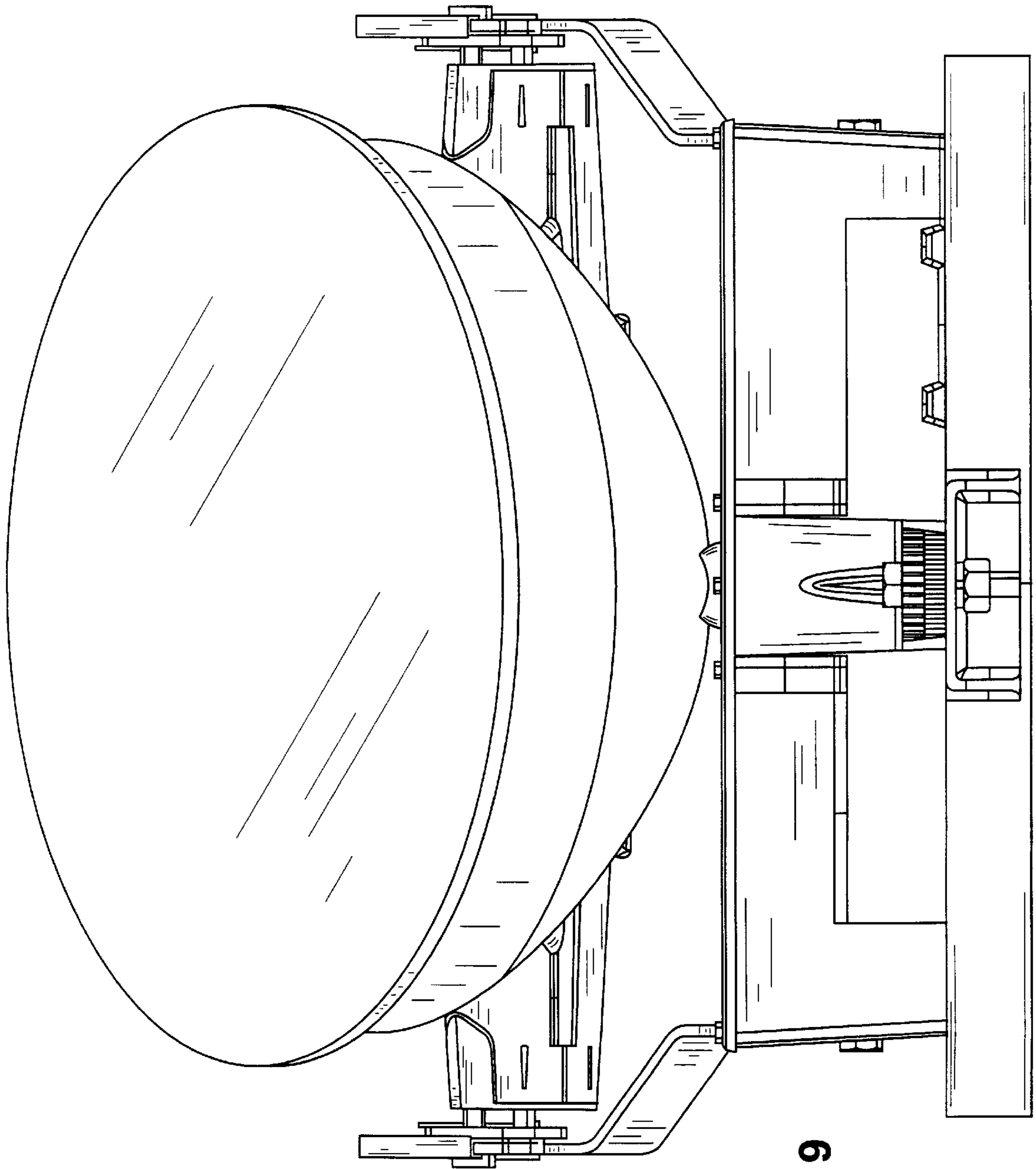


FIG. 9

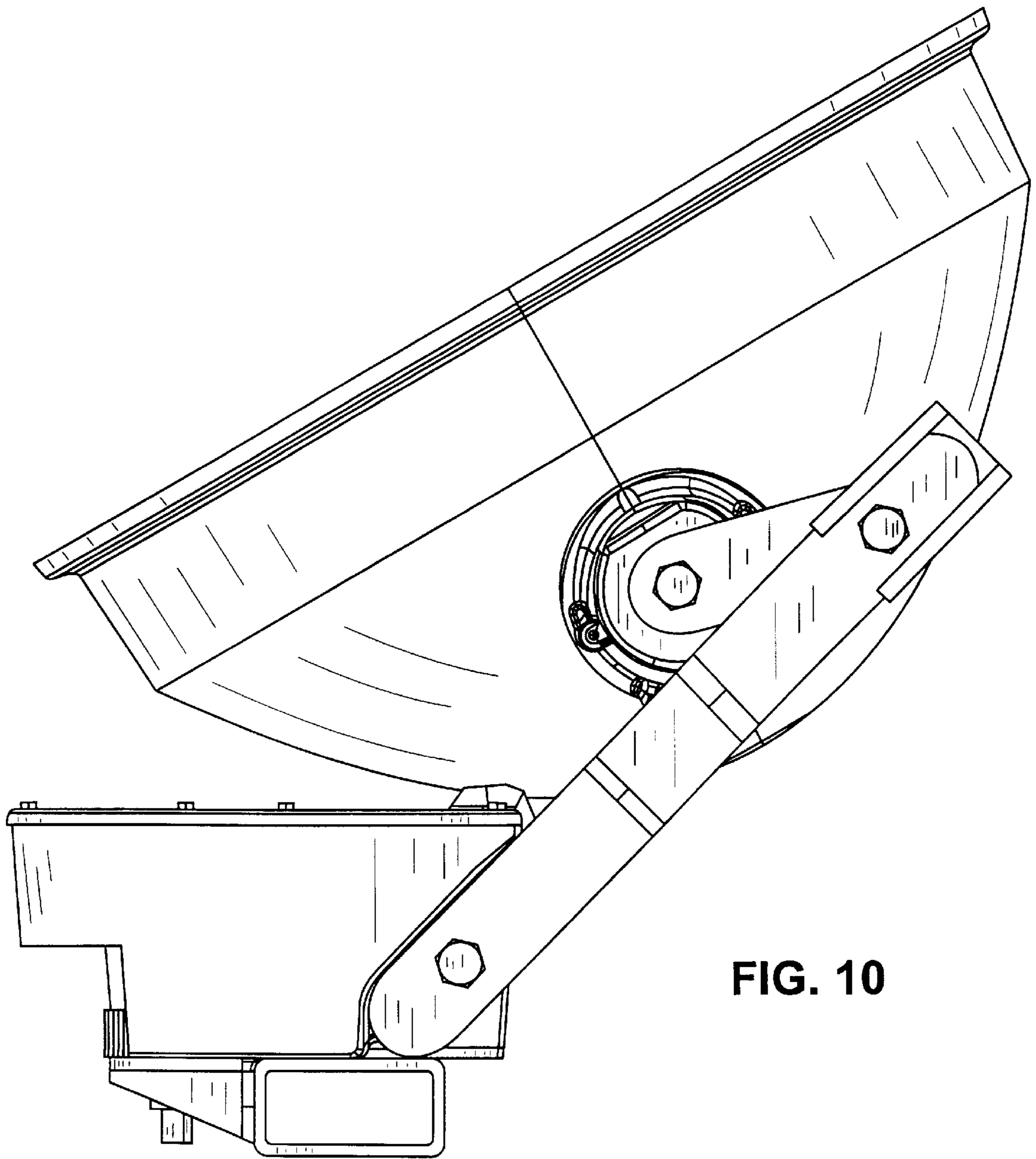


FIG. 10