



US00D437440S

(12) **United States Design Patent**
Tang

(10) **Patent No.:** **US D437,440 S**

(45) **Date of Patent:** **** Feb. 6, 2001**

(54) **FLOODLIGHT**

5,676,454 * 10/1997 De'Armond 362/419 X
6,022,130 * 2/2000 Donato 362/428

(76) Inventor: **Shih-Chuan Tang**, 58, Ma Yuan West St., Taichung (TW)

* cited by examiner

(**) Term: **14 Years**

Primary Examiner—Susan J. Lucas

(21) Appl. No.: **29/104,283**

(57) **CLAIM**

(22) Filed: **May 3, 1999**

The ornamental design for a floodlight, as shown and described.

(51) **LOC (7) Cl.** **26-05**

DESCRIPTION

(52) **U.S. Cl.** **D26/63**

(58) **Field of Search** D26/60-66; 362/267, 362/269, 271, 272, 273, 276, 282, 283, 285, 287, 418, 419, 427, 428, 296, 297, 301, 306

FIG. 1 is a perspective view of a floodlight showing my new design;

FIG. 2 is a front elevational view thereof;

FIG. 3 is a rear elevational view thereof;

FIG. 4 is a left side elevational view thereof;

FIG. 5 is a right side elevational view thereof;

FIG. 6 is a top plan view thereof; and,

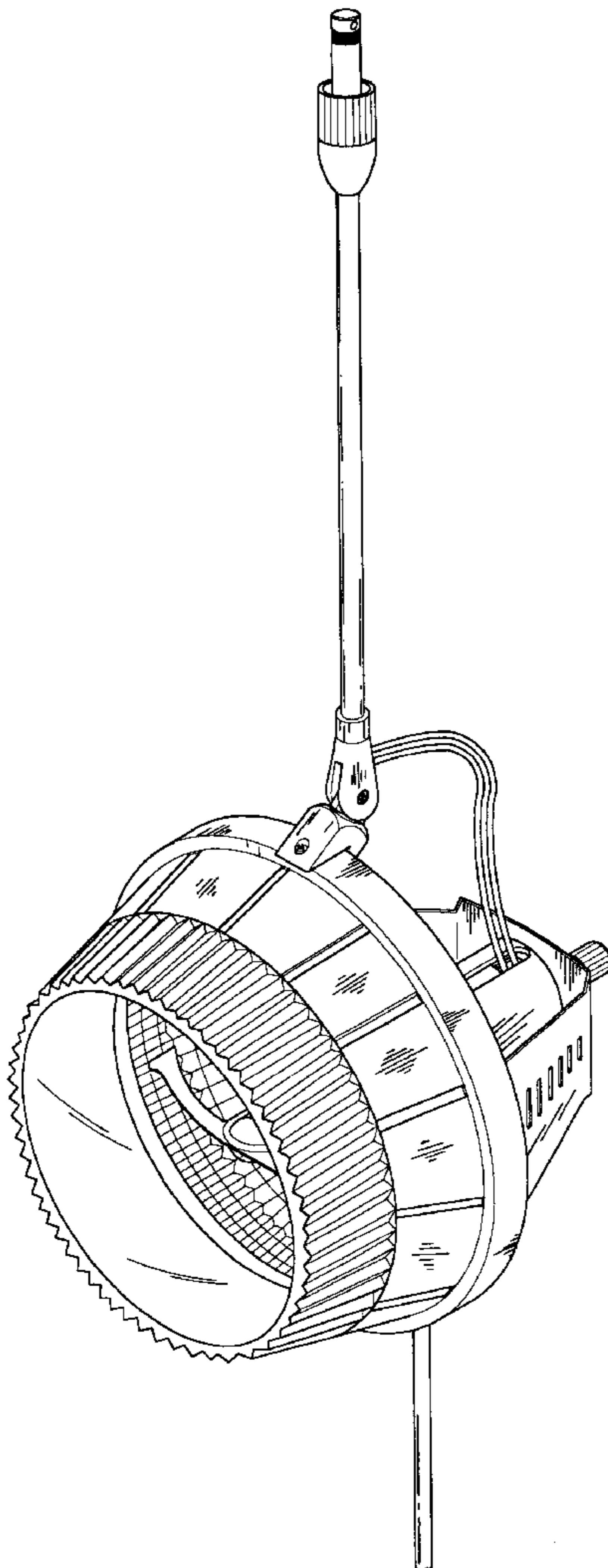
FIG. 7 is a bottom plan view thereof.

(56) **References Cited**

U.S. PATENT DOCUMENTS

D. 418,618 * 1/2000 Shuenn-Fa D26/65
5,140,507 * 8/1992 Harwood 362/271
5,548,500 * 8/1996 MacKay 362/427

1 Claim, 4 Drawing Sheets



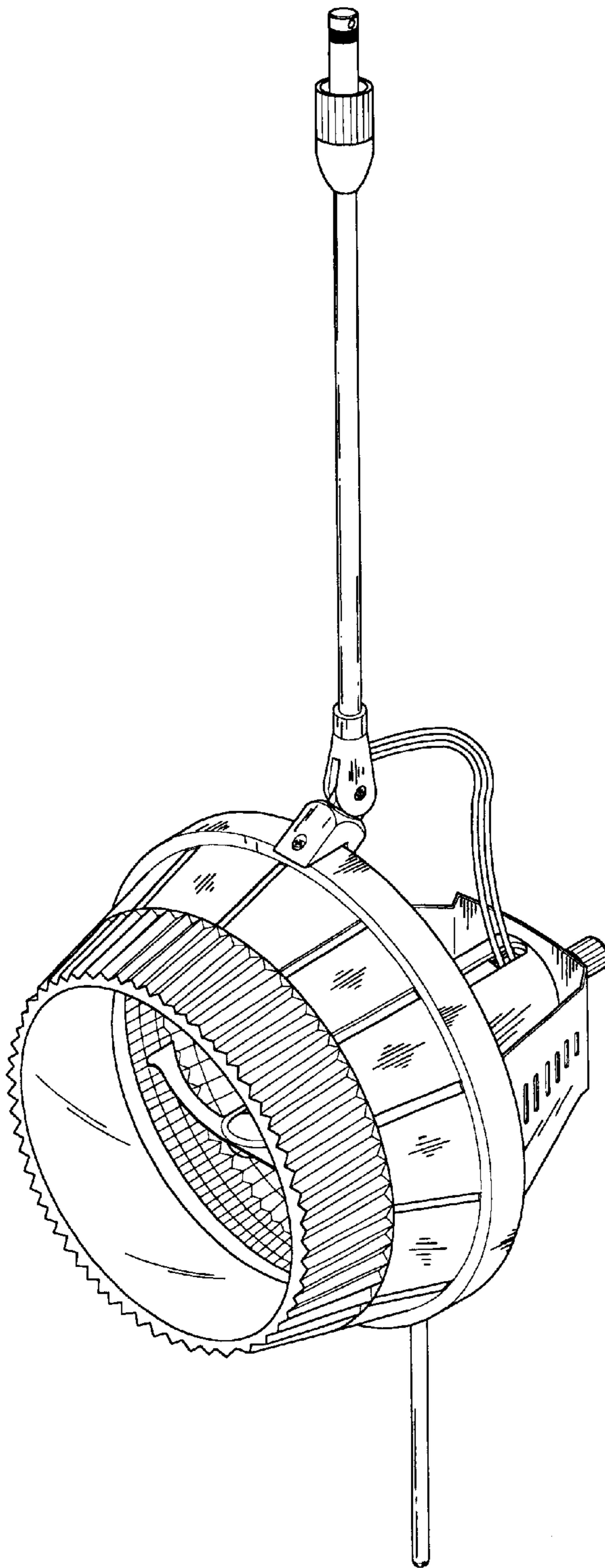


FIG. 1

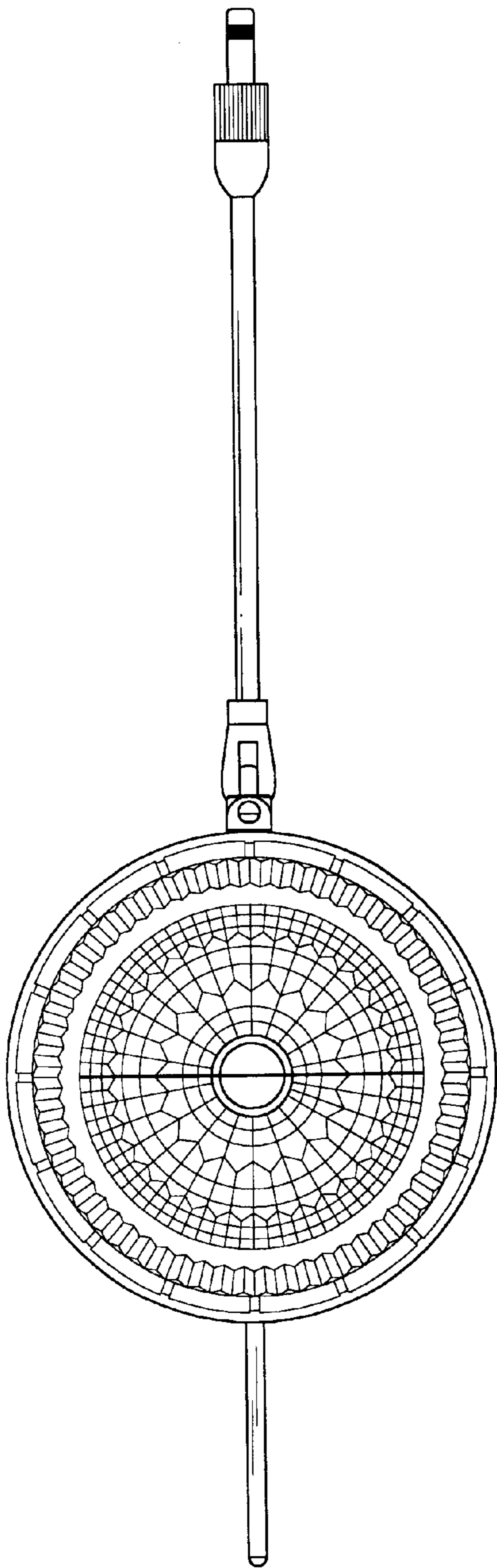


FIG. 2

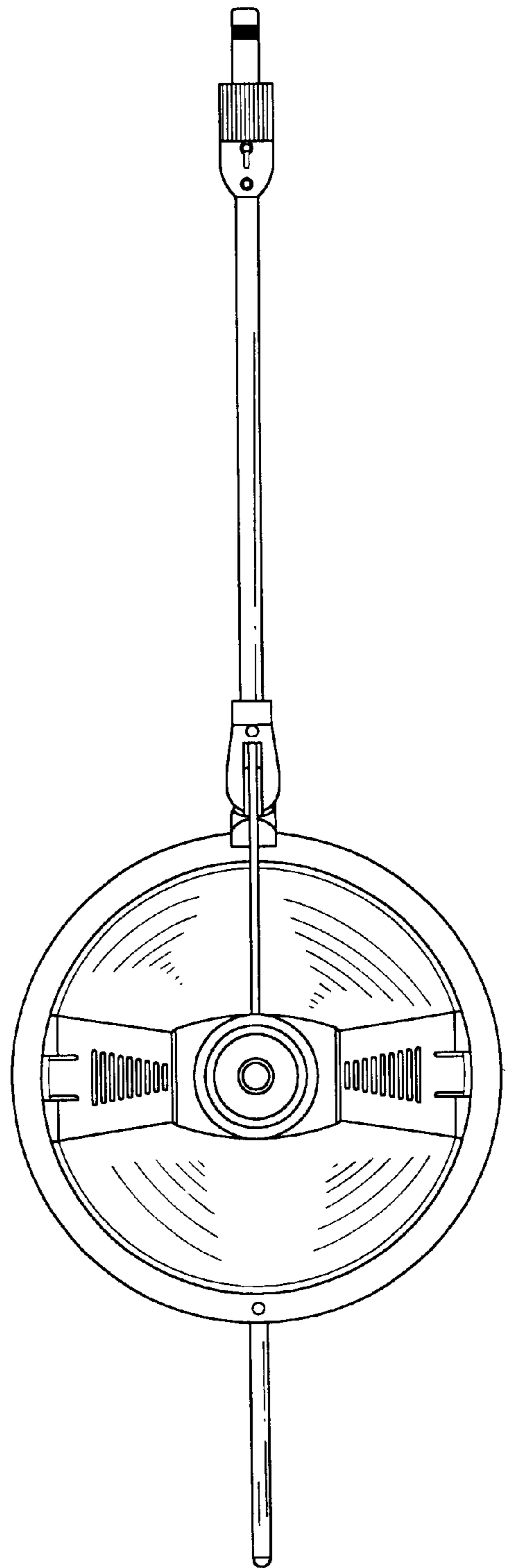


FIG. 3

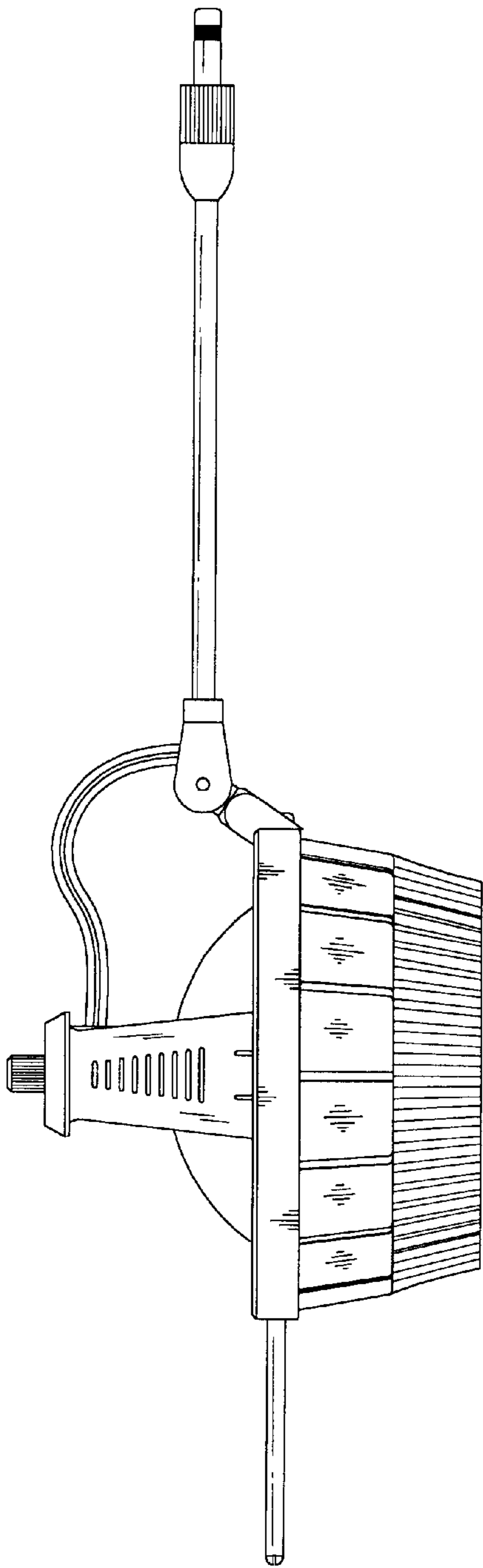


FIG. 4

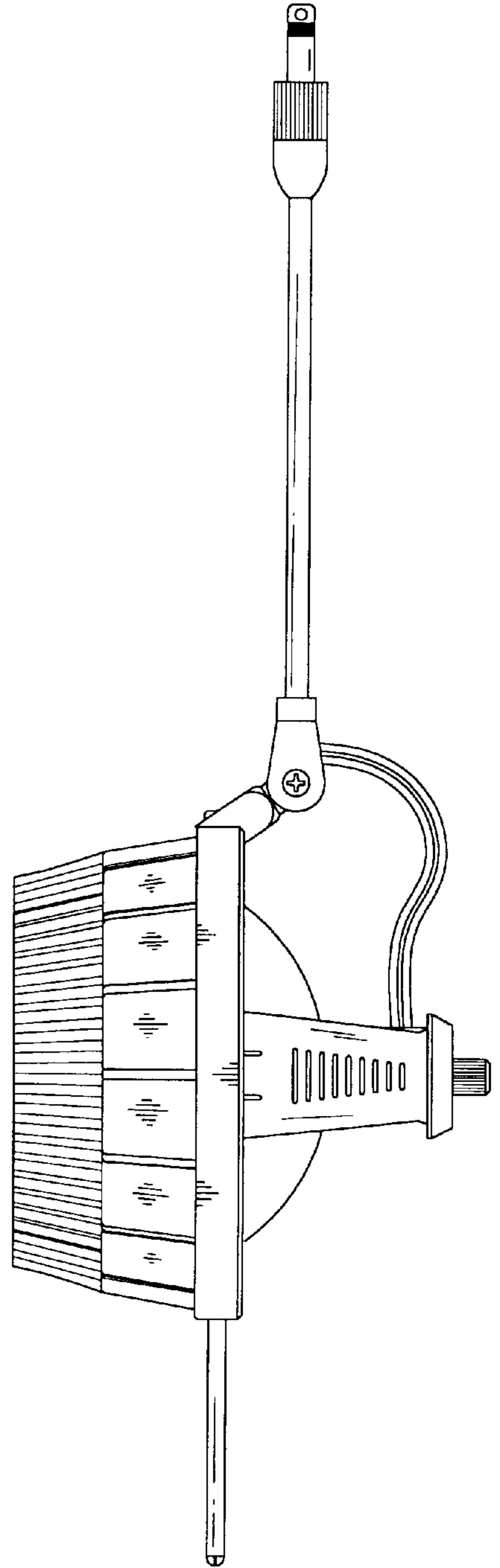


FIG. 5

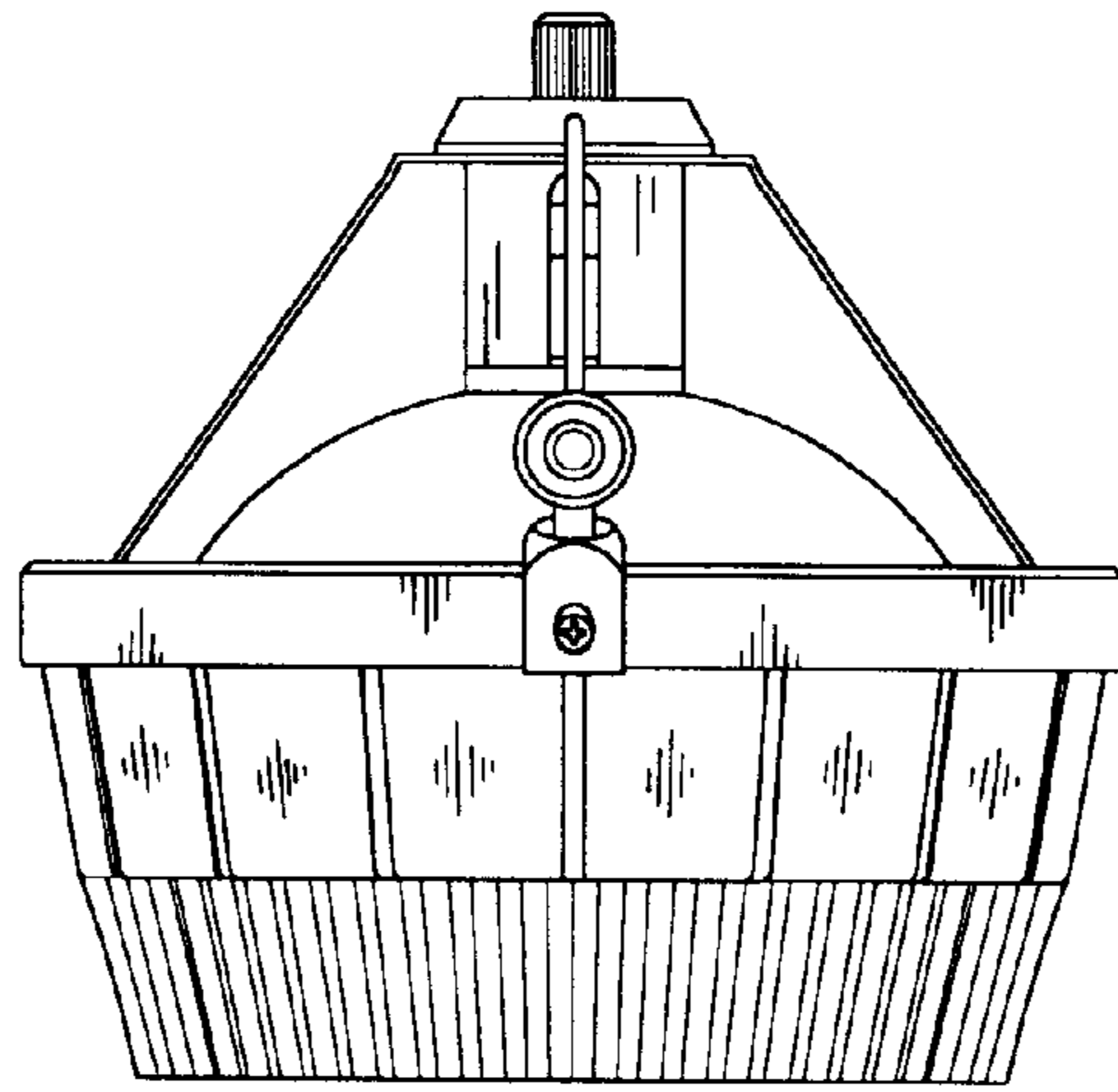


FIG. 6

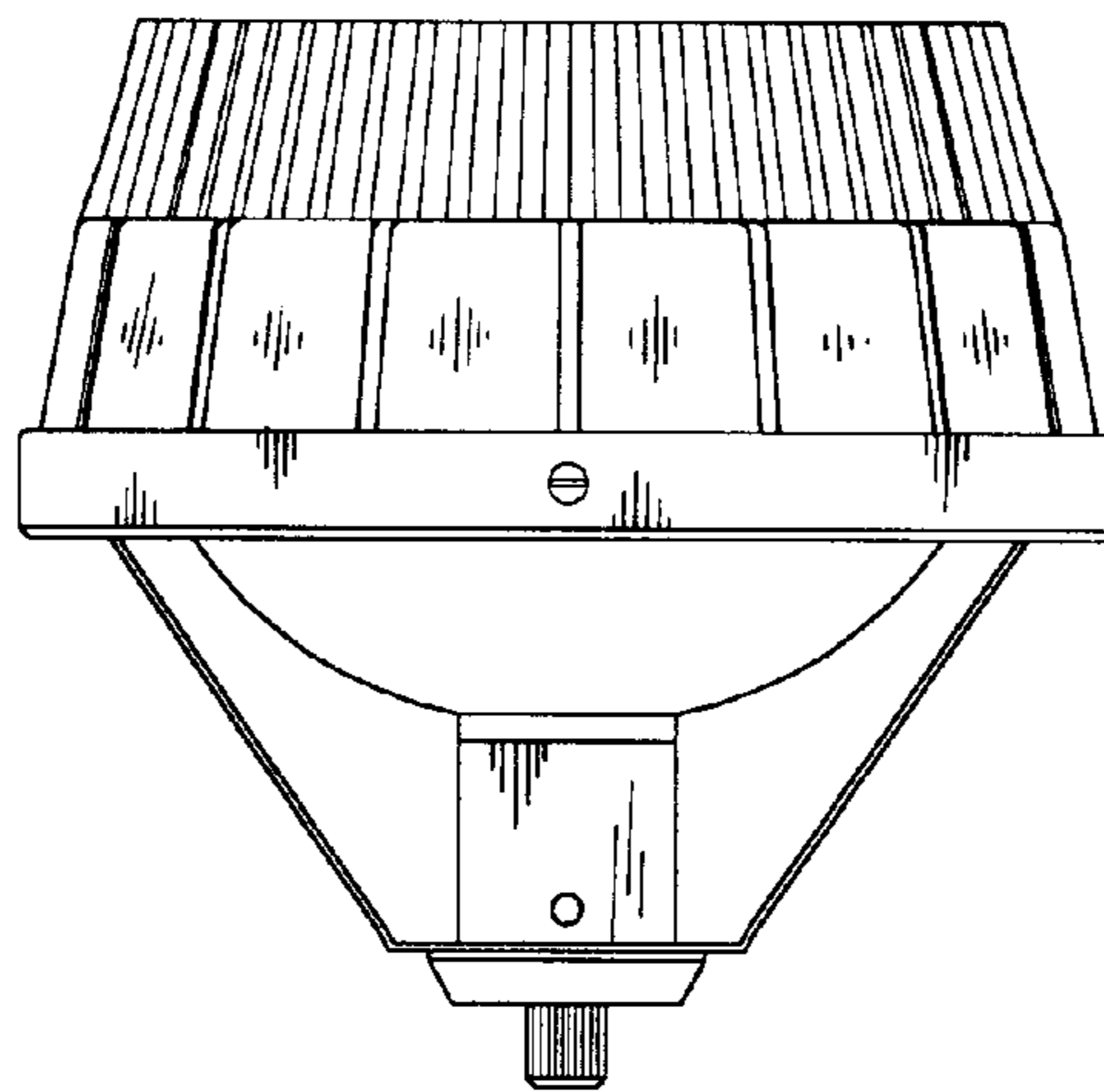


FIG. 7