



US00D437439S

(12) **United States Design Patent**  
**Tang**

(10) **Patent No.:** **US D437,439 S**

(45) **Date of Patent:** **\*\* Feb. 6, 2001**

(54) **FLOODLIGHT**

(76) **Inventor:** **Shih-Chuan Tang**, 58, Ma Yuan West St., Taichung (TW)

(\*\*) **Term:** **14 Years**

(21) **Appl. No.:** **29/104,214**

(22) **Filed:** **Apr. 30, 1999**

(51) **LOC (7) Cl.** ..... **26-05**

(52) **U.S. Cl.** ..... **D26/63**

(58) **Field of Search** ..... D26/60-66; 362/267, 362/269, 271, 272, 273, 276, 282, 283, 285, 287, 418, 419, 427, 296, 297, 301, 306

(56) **References Cited**

**U.S. PATENT DOCUMENTS**

D. 354,148 \* 1/1995 Roos ..... D26/63  
6,022,129 \* 2/2000 Tang ..... 362/418 X

**OTHER PUBLICATIONS**

GE Miser™ Delux HPS floodlight, Jun. 1986.\*

\* cited by examiner

*Primary Examiner*—Susan J. Lucas

(57) **CLAIM**

The ornamental design for a floodlight, as shown and described.

**DESCRIPTION**

FIG. 1 is a perspective view of a floodlight showing my new design;

FIG. 2 is a front elevational view thereof;

FIG. 3 is a rear elevational view thereof;

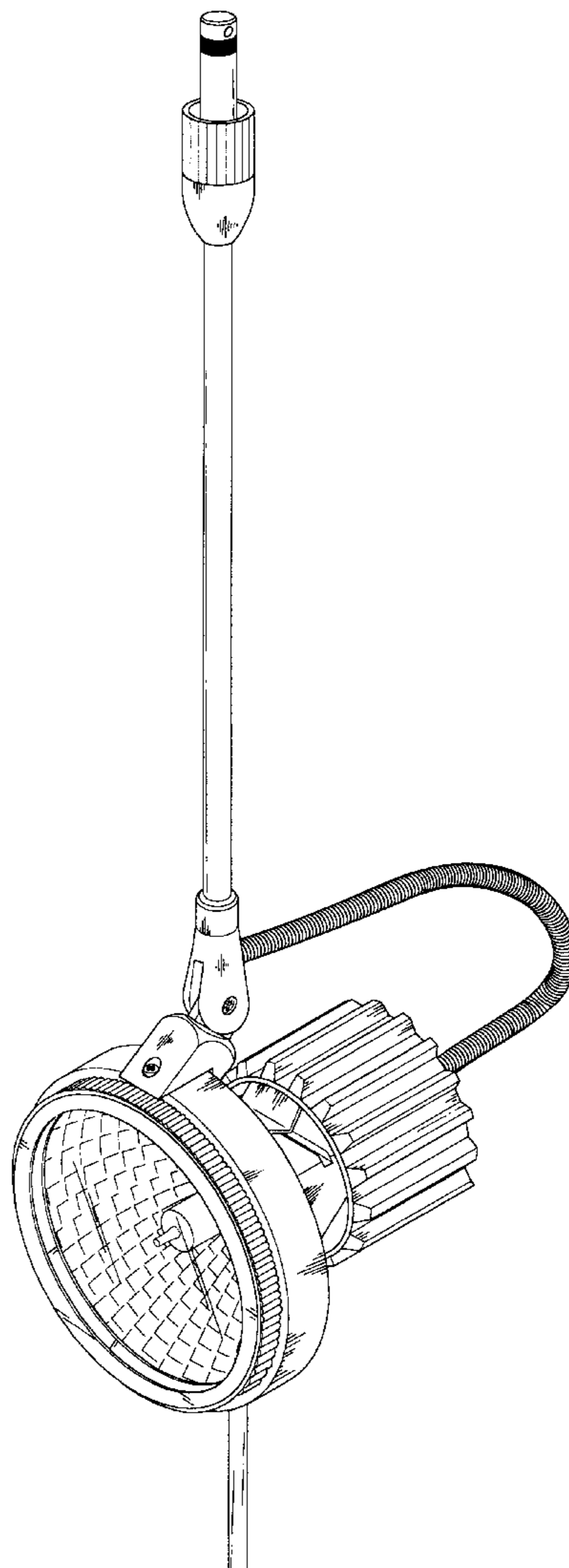
FIG. 4 is a left side elevational view thereof;

FIG. 5 is a right side elevational view thereof;

FIG. 6 is a top plan view thereof; and,

FIG. 7 is a bottom plan view thereof.

**1 Claim, 5 Drawing Sheets**



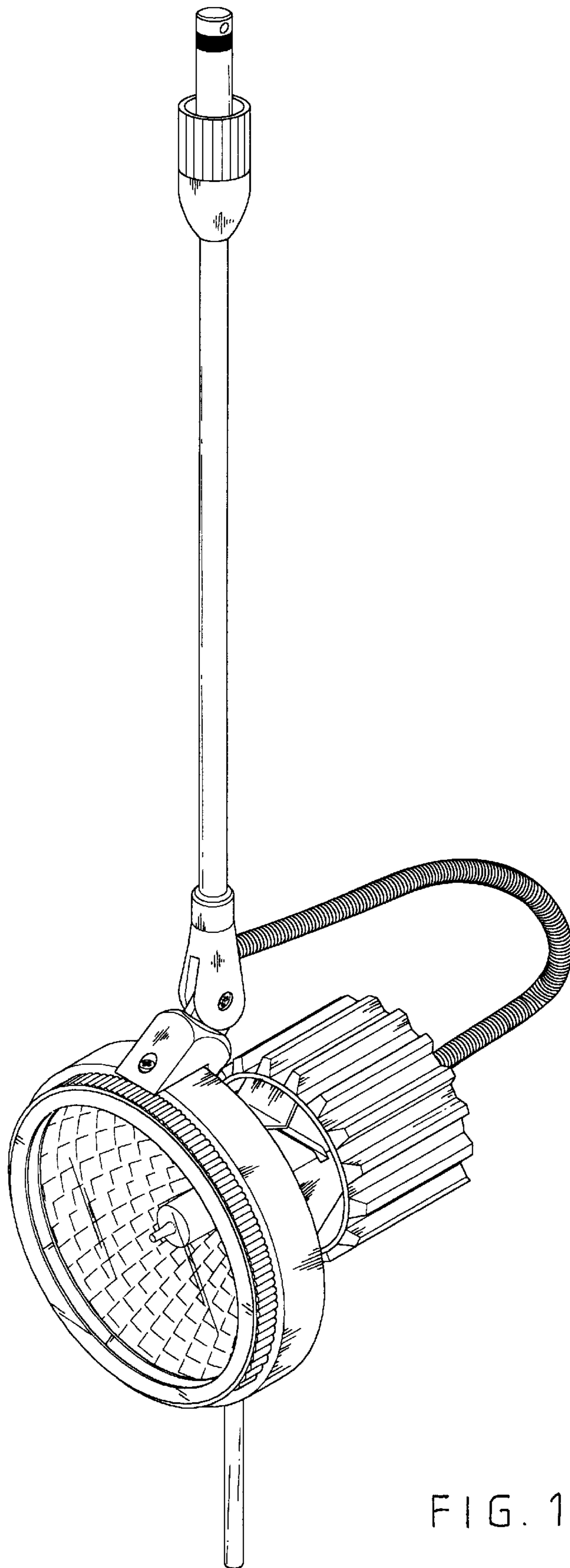


FIG. 1

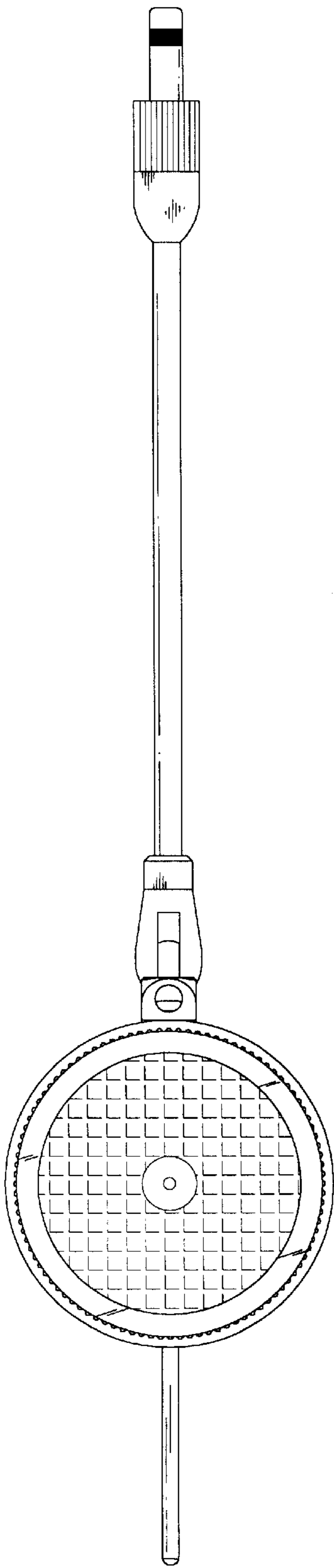


FIG. 2

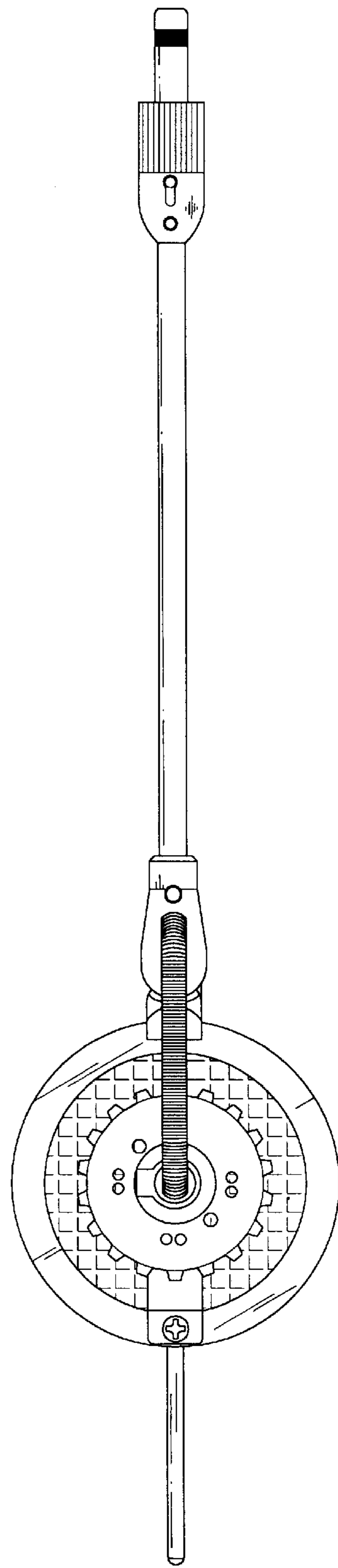


FIG. 3

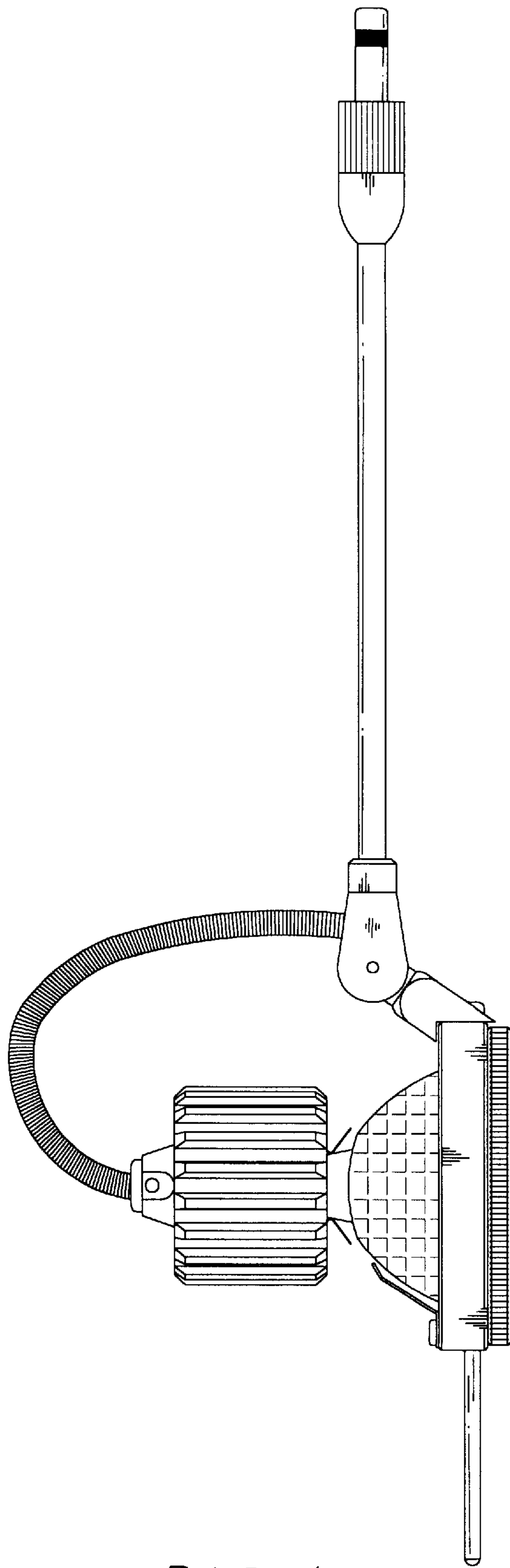


FIG. 4

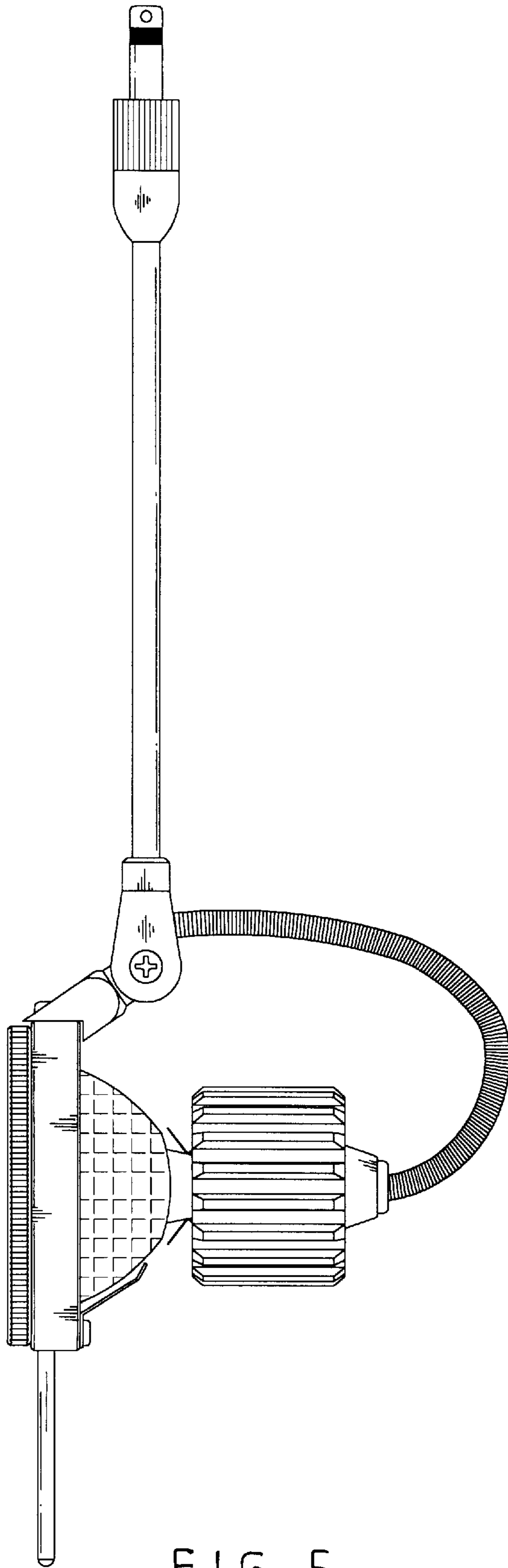


FIG. 5

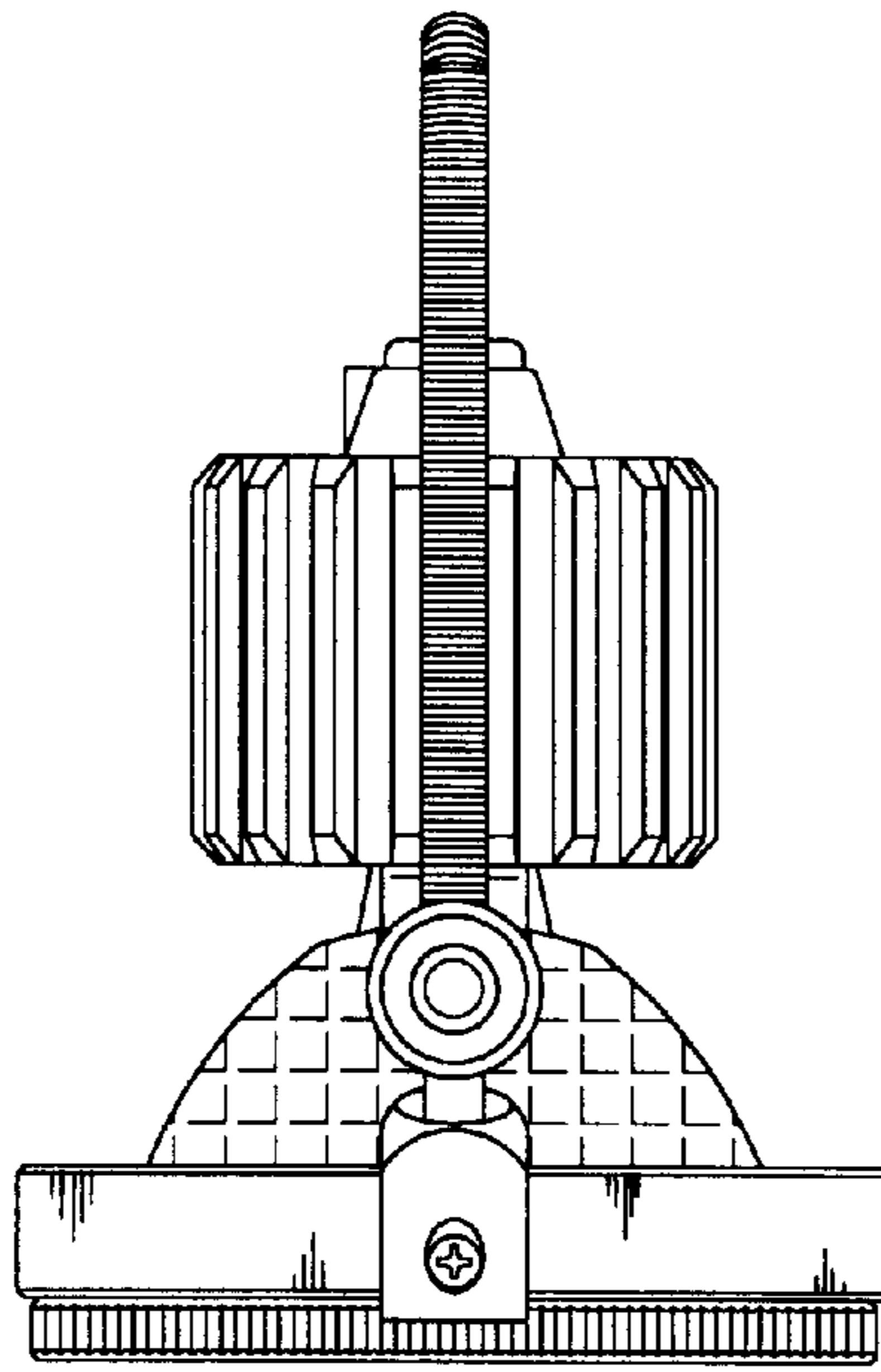


FIG. 6

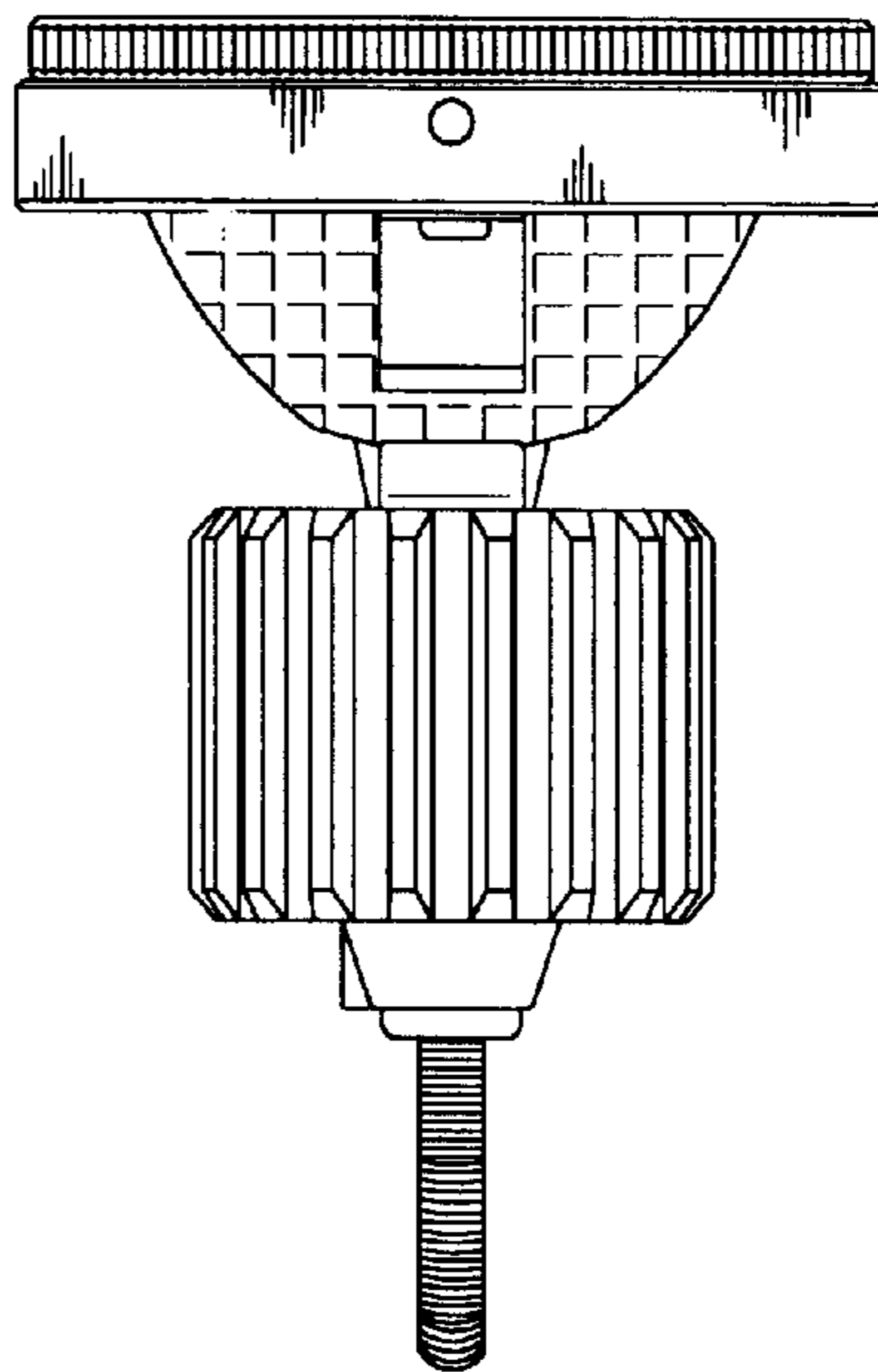


FIG. 7