



US00D437437S

(12) **United States Design Patent**  
**Donato**

(10) **Patent No.:** **US D437,437 S**

(45) **Date of Patent:** **\*\* Feb. 6, 2001**

(54) **TRACK LIGHTING FIXTURE**

(75) **Inventor:** **Anthony C. Donato**, Wellesley, MA  
(US)

(73) **Assignee:** **Genlyte Thomas Group LLC**,  
Louisville, KY (US)

(\*\*) **Term:** **14 Years**

(21) **Appl. No.:** **29/102,569**

(22) **Filed:** **Mar. 26, 1999**

(51) **LOC (7) Cl.** ..... **26-05**

(52) **U.S. Cl.** ..... **D26/63**

(58) **Field of Search** ..... D26/60-66; 362/267,  
362/269, 271, 272, 273, 276, 282, 283,  
285, 287, 418, 419, 427, 428, 296, 297,  
301, 306

(56) **References Cited**

**U.S. PATENT DOCUMENTS**

D. 321,410 \* 11/1991 Layne ..... D26/63 X

D. 354,148 \* 1/1995 Roos ..... D26/63  
D. 380,847 \* 7/1997 Mier-Langner et al. .... D26/63  
D. 417,300 \* 11/1999 Stacy et al. .... D26/63  
5,140,507 \* 8/1992 Harward ..... 362/271  
6,022,130 \* 2/2000 Donato ..... 362/428

\* cited by examiner

*Primary Examiner*—Susan J. Lucas

(57) **CLAIM**

I claim the ornamental design for a track lighting fixture, as shown.

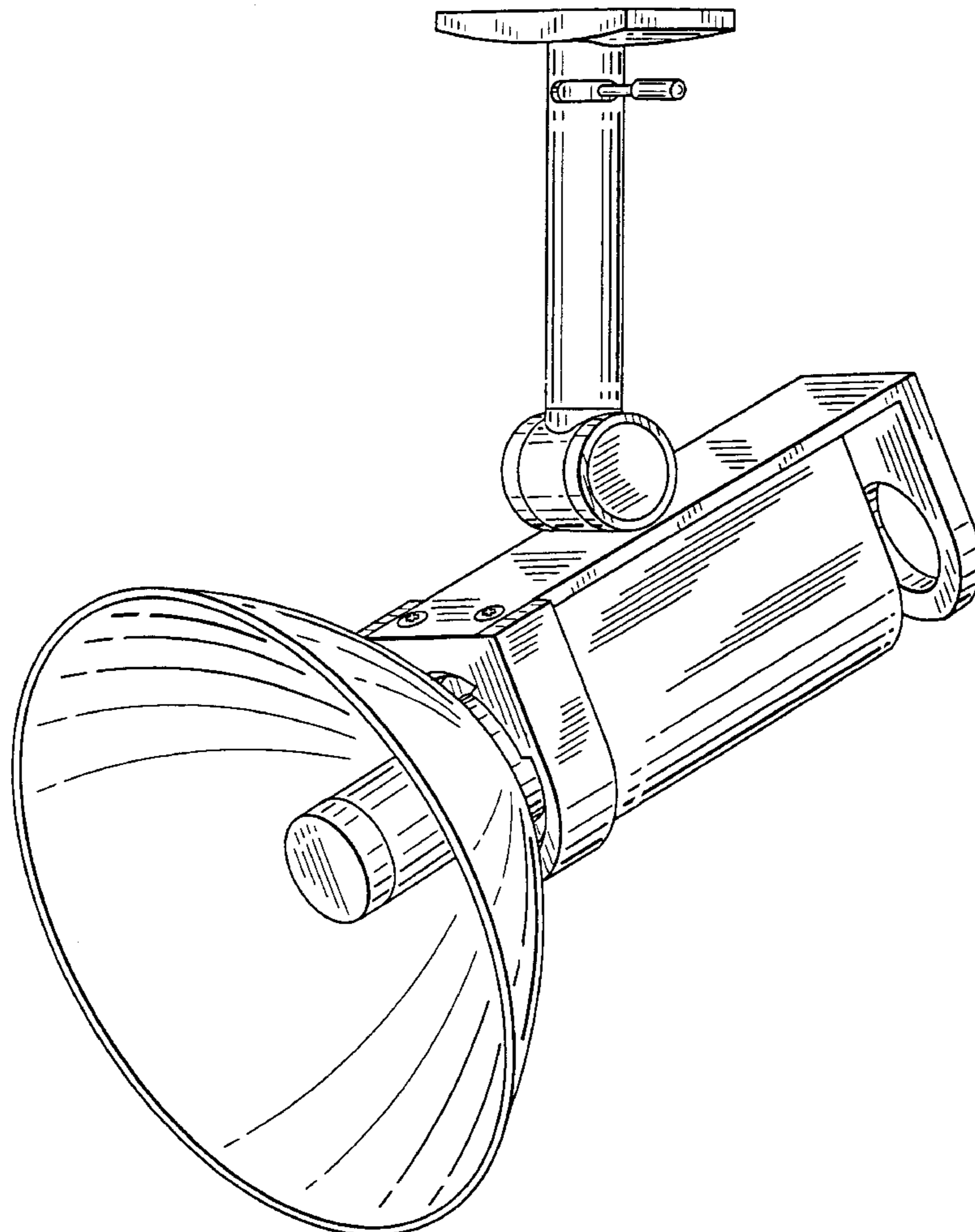
**DESCRIPTION**

FIG. 1 is a front isometric view of the track lighting fixture of the invention;

FIG. 2 is a rear isometric view of the track lighting fixture of FIG. 1; and,

FIG. 3 is a bottom plan view of the track lighting fixture of FIG. 1.

**1 Claim, 3 Drawing Sheets**



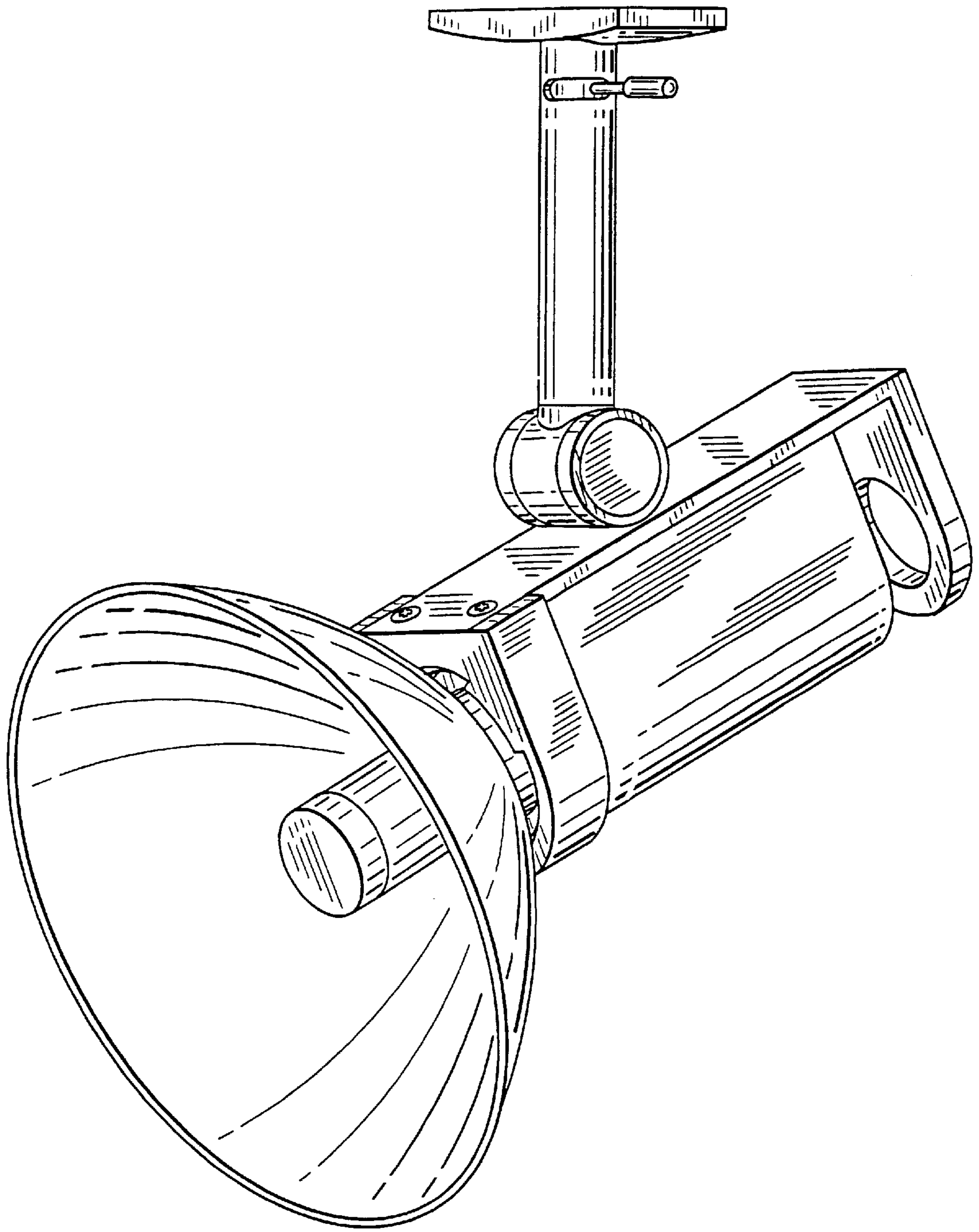


FIG. 1

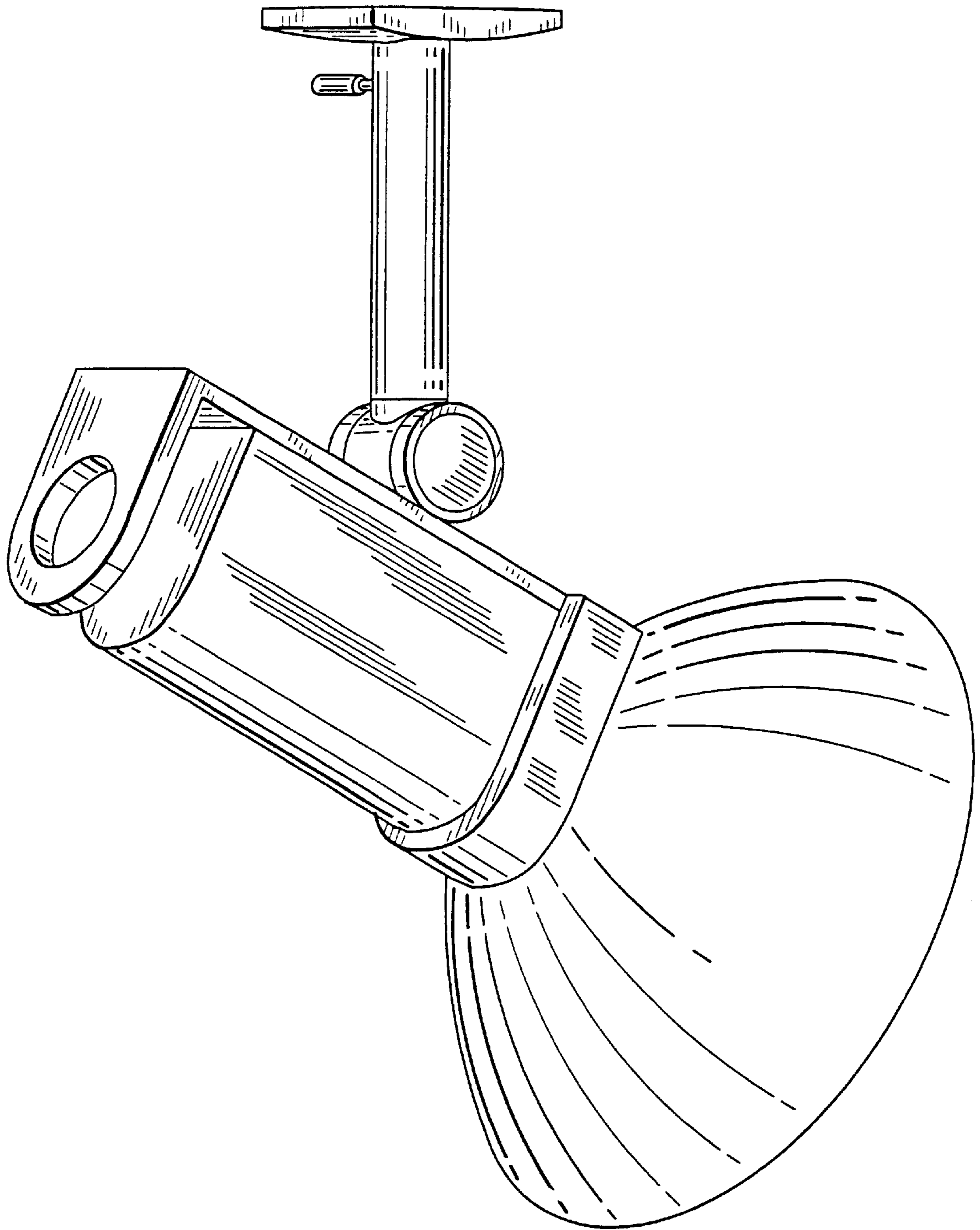


FIG. 2

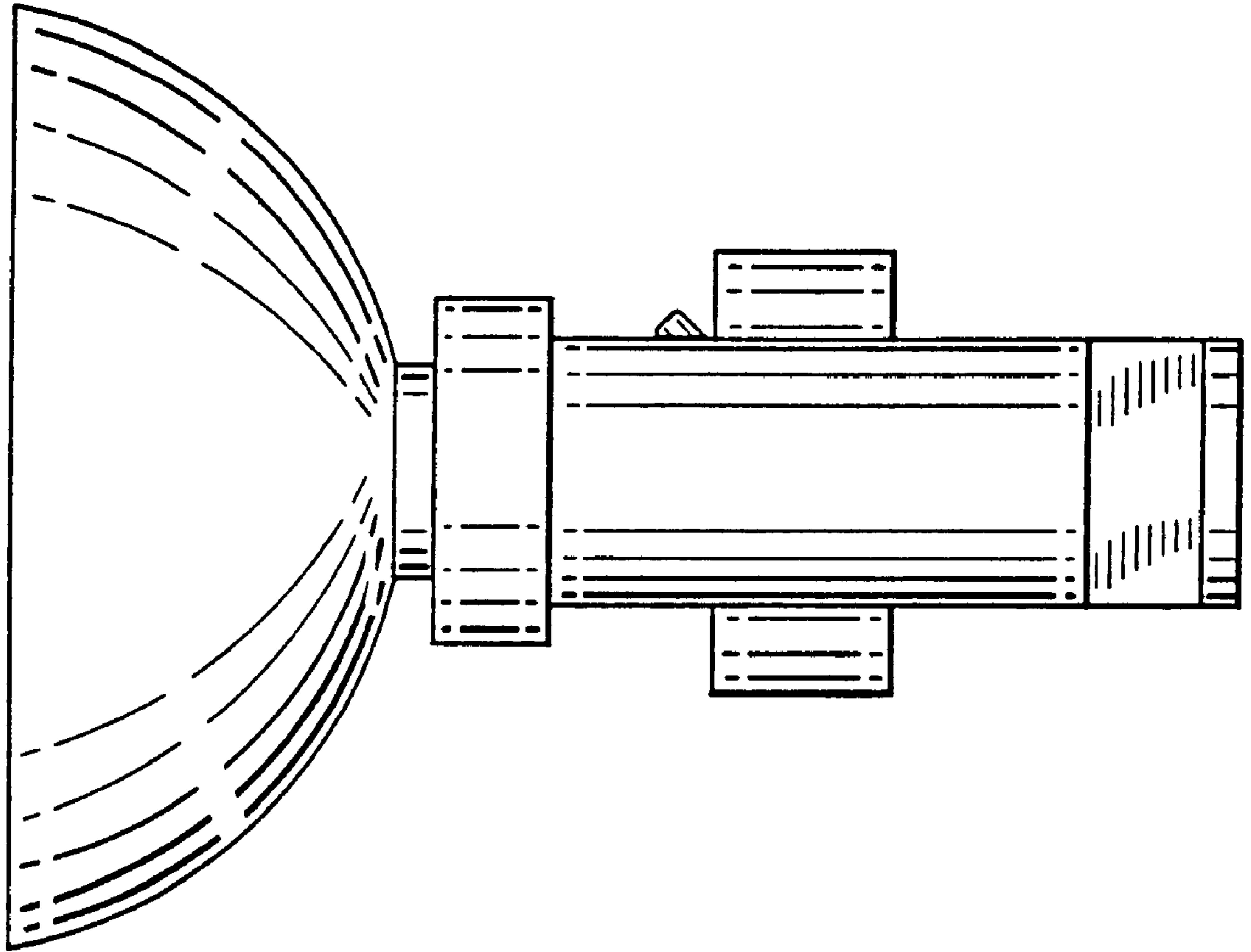


FIG. 3