



US00D437435S

(12) **United States Design Patent**
Spangler

(10) **Patent No.:** **US D437,435 S**

(45) **Date of Patent:** **** Feb. 6, 2001**

(54) **LIGHT STICK**

(76) Inventor: **Christopher Spangler**, 141 W. Tiller Ave., Anaheim, CA (US) 92802-4834

(**) Term: **14 Years**

(21) Appl. No.: **29/124,750**

(22) Filed: **Jun. 10, 2000**

(51) **LOC (7) Cl.** **26-02**

(52) **U.S. Cl.** **D26/47**

(58) **Field of Search** D26/37-50; 362/157, 362/158, 183-208

(56) **References Cited**

U.S. PATENT DOCUMENTS

D. 168,751	*	2/1953	Miller	D26/47
D. 373,155	*	8/1996	Cimock	D26/47
D. 425,641	*	5/2000	Miller	D26/38

* cited by examiner

Primary Examiner—Marcus A. Jackson
(74) *Attorney, Agent, or Firm*—Goldstein & Canino

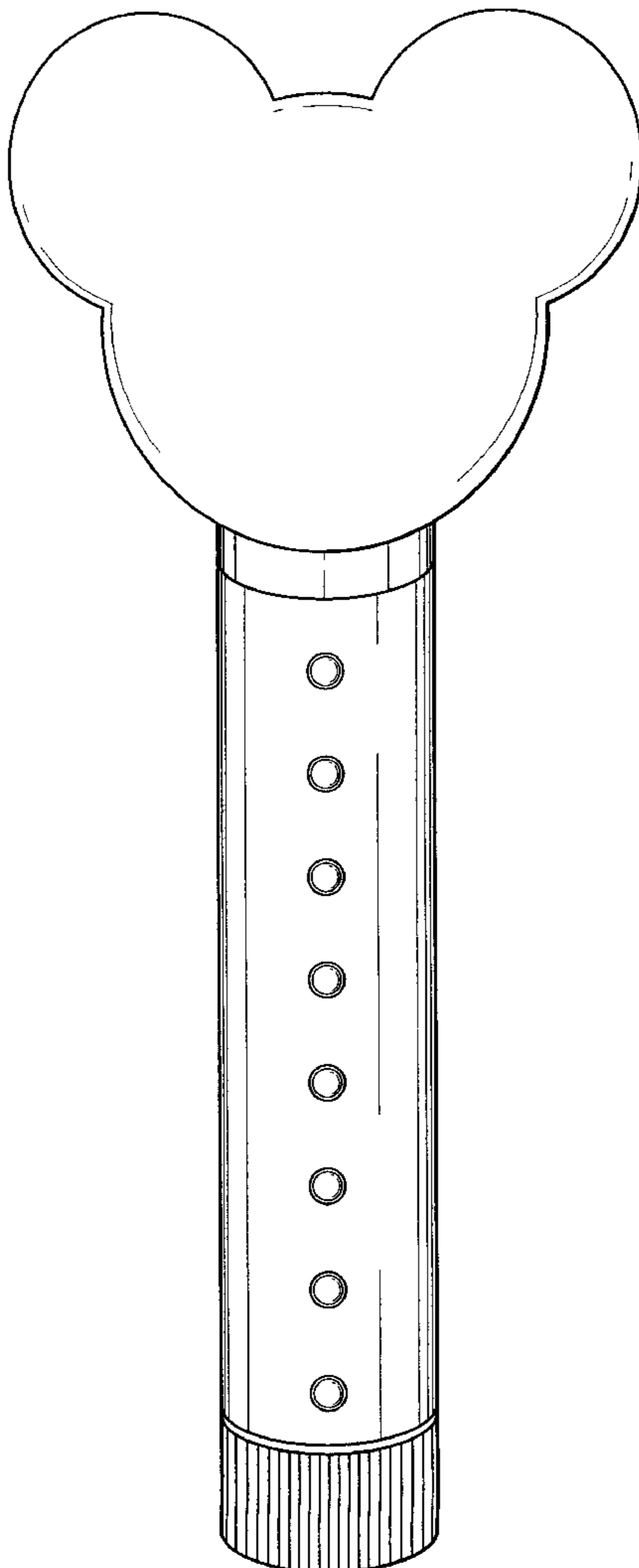
(57) **CLAIM**

The ornamental design for a light stick, as shown and described.

DESCRIPTION

FIG. 1 is a diagrammatic perspective view of a light stick.
FIG. 2 is a front elevational view of the light stick.
FIG. 3 is a rear elevational view thereof.
FIG. 4 is a left side elevational view thereof, the right side elevational view being a mirror image of the left side view.
FIG. 5 is a top plan view of the light stick; and,
FIG. 6 is a bottom plan view thereof.

1 Claim, 3 Drawing Sheets



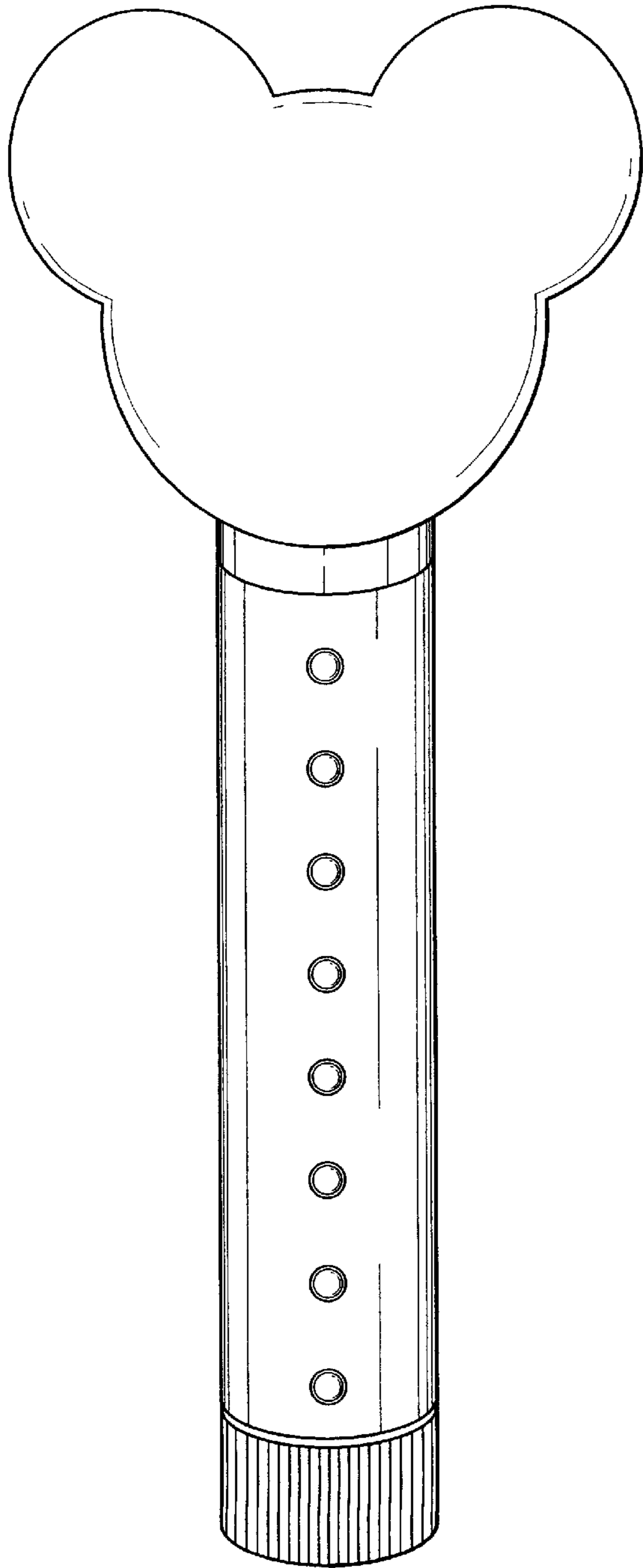


FIG. 1

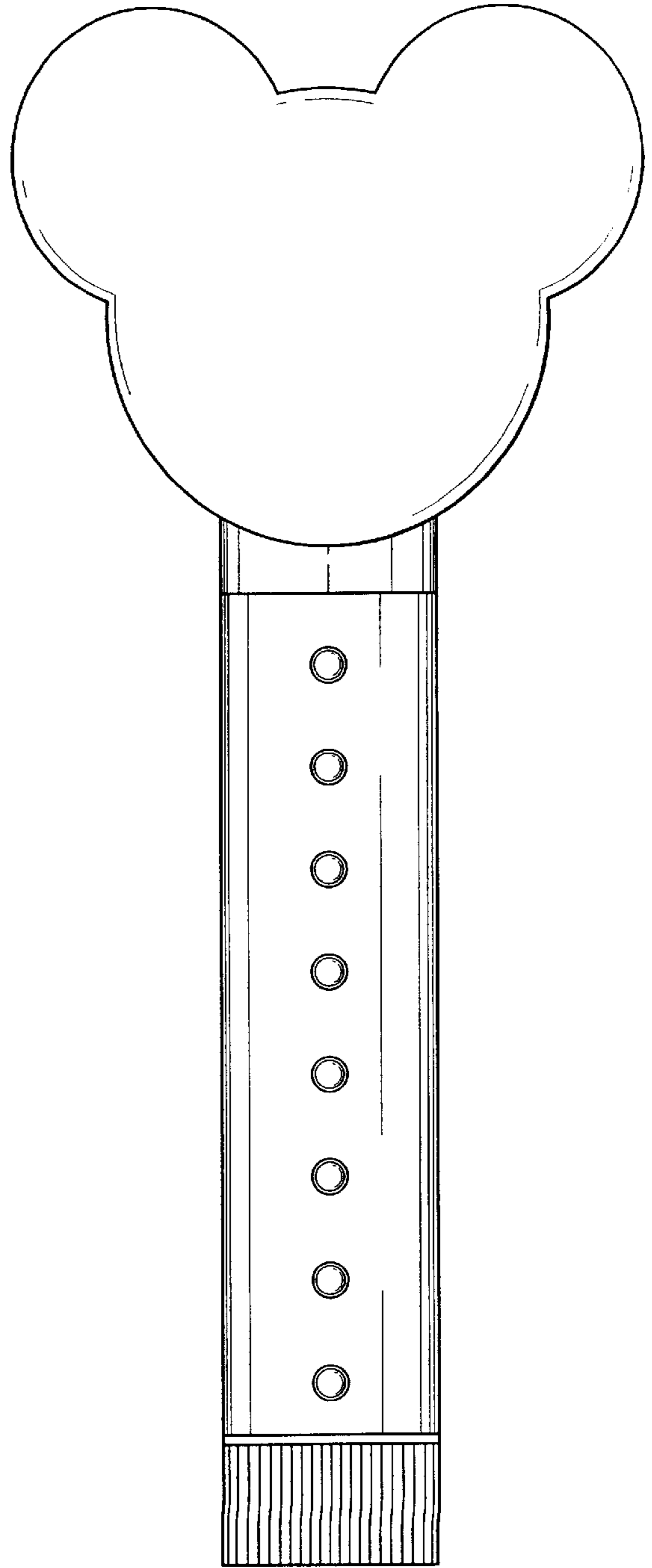


FIG. 2

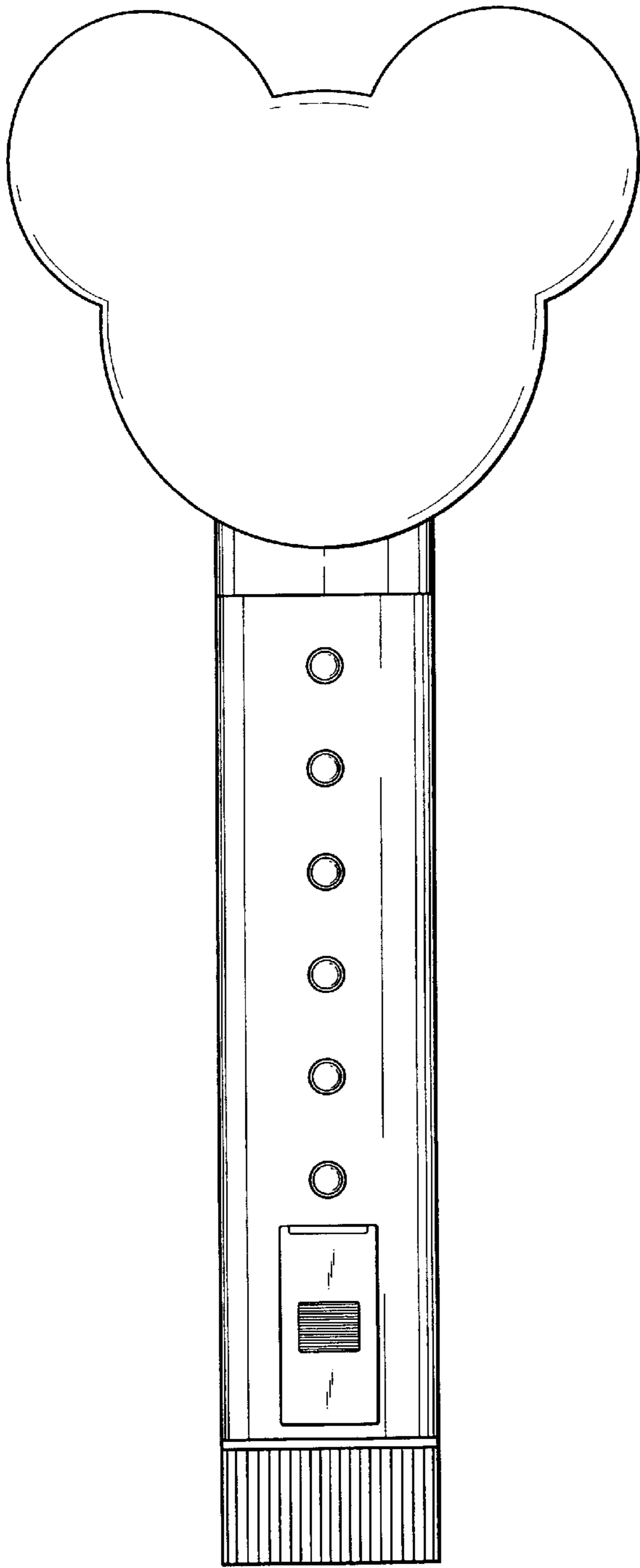


FIG. 3

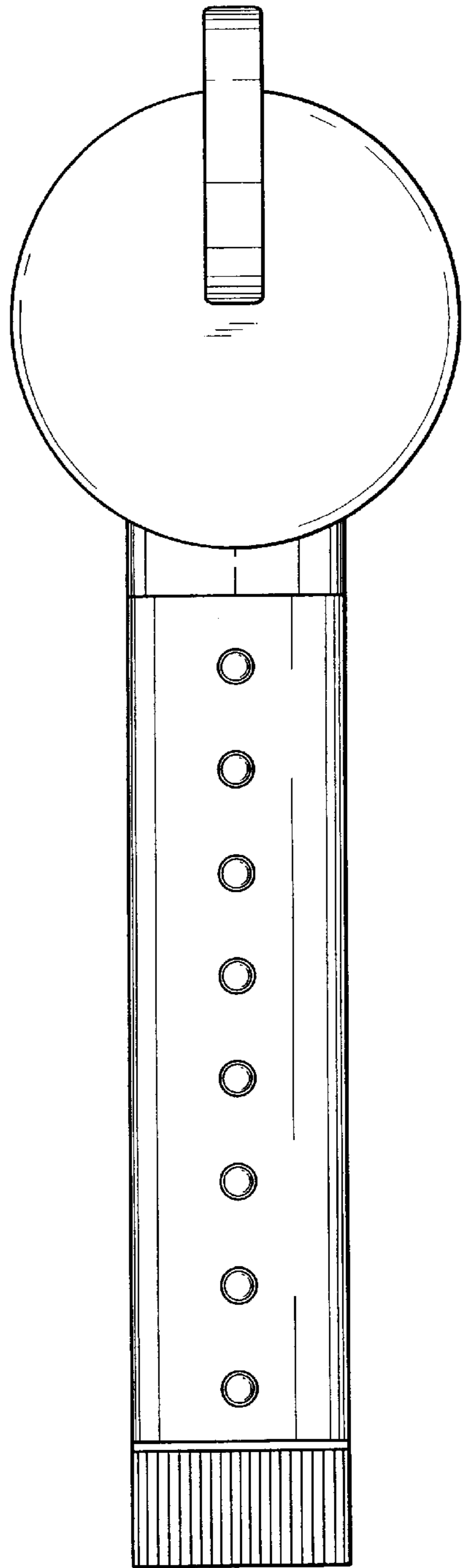


FIG. 4

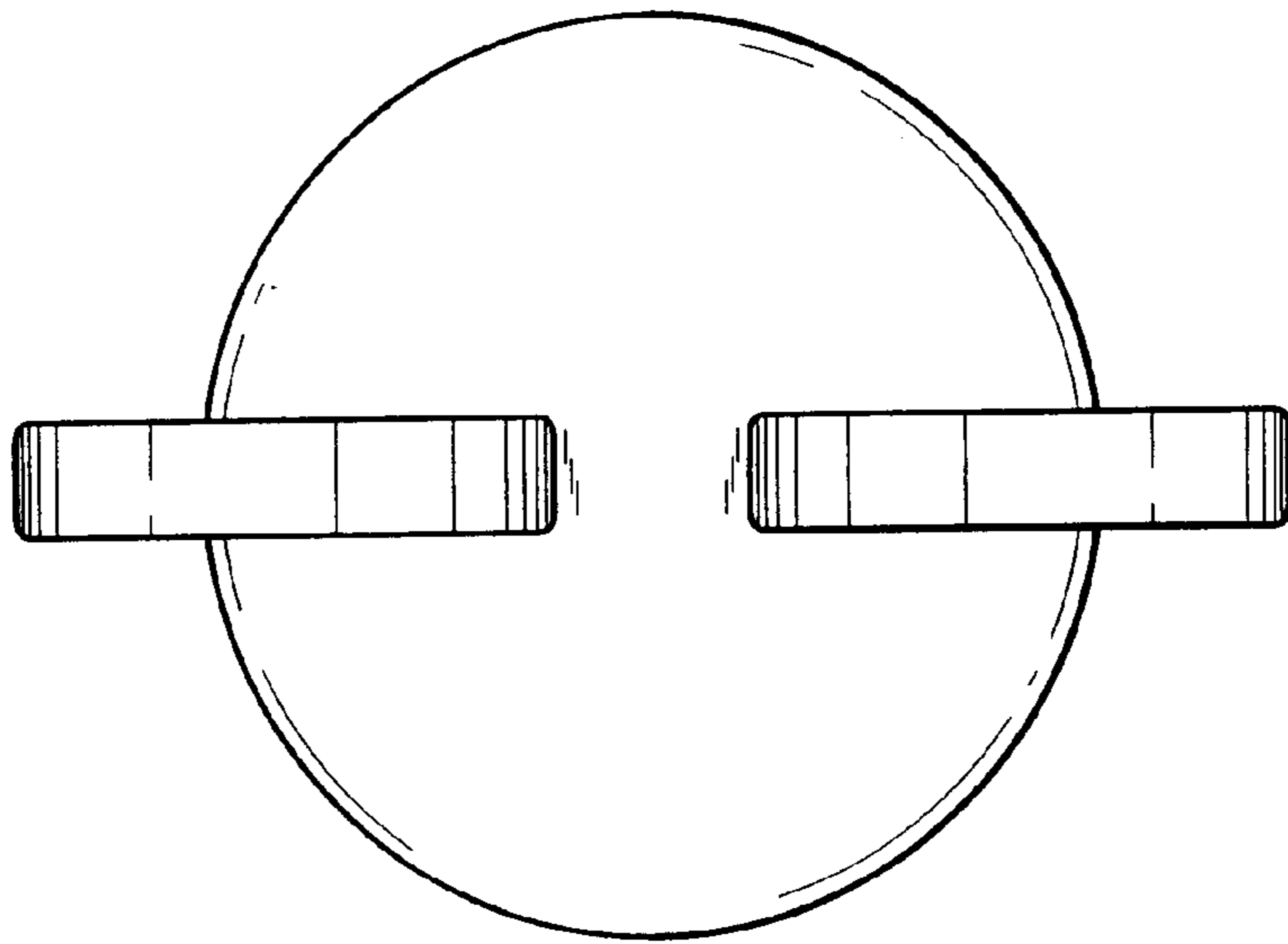


FIG. 5

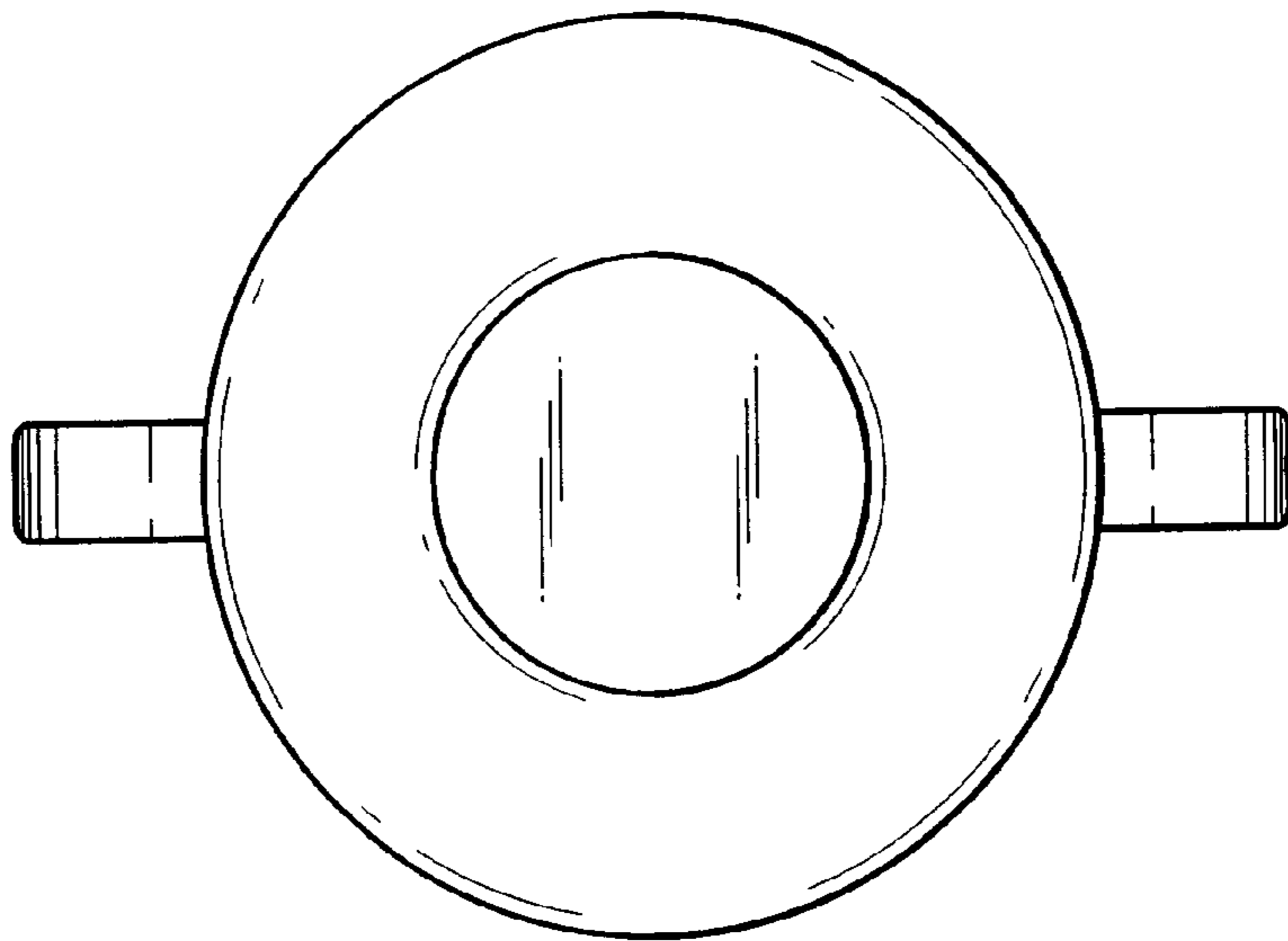


FIG. 6