



US00D437434S

(12) **United States Design Patent**  
**Zeller**

(10) **Patent No.:** **US D437,434 S**

(45) **Date of Patent:** **\*\* Feb. 6, 2001**

(54) **MULTIPURPOSE PORTABLE ELECTRIC LIGHTING UNIT**

(74) *Attorney, Agent, or Firm*—Donald S. Dowden; Cooper & Dunham LLP

(76) **Inventor:** **Noel E. Zeller**, c/o Zelco Industries, Inc., 65 Haven Ave., Mount Vernon, NY (US) 10553

(57) **CLAIM**

The ornamental design for a multipurpose portable electric lighting unit, as shown and described.

(\*\*) **Term:** **14 Years**

**DESCRIPTION**

(21) **Appl. No.:** **29/108,287**

FIG. 1 is a top-front-right perspective view of apparatus embodying the invention;

(22) **Filed:** **Jul. 23, 1999**

FIG. 2 is a top view thereof;

(51) **LOC (7) Cl.** ..... **26-02**

FIG. 3 is a bottom view thereof;

(52) **U.S. Cl.** ..... **D26/46**

FIG. 4 is a front view thereof;

(58) **Field of Search** ..... D26/37-50; 362/157, 362/158, 183-208

FIG. 5 is a rear view thereof;

FIG. 6 is a right view thereof;

FIG. 7 is a top-rear-right perspective view thereof in a second configuration;

(56) **References Cited**

**U.S. PATENT DOCUMENTS**

D. 293,825	*	1/1988	Jennings	.....	D26/46
D. 337,840	*	7/1993	Ekeroth	.....	D26/44
D. 373,436	*	9/1996	Li et al.	.....	D26/44
D. 375,375	*	11/1996	Poon	.....	D26/44

FIG. 8 is a top view thereof;

FIG. 9 is a bottom view thereof;

FIG. 10 is a front view thereof;

FIG. 11 is a rear view thereof;

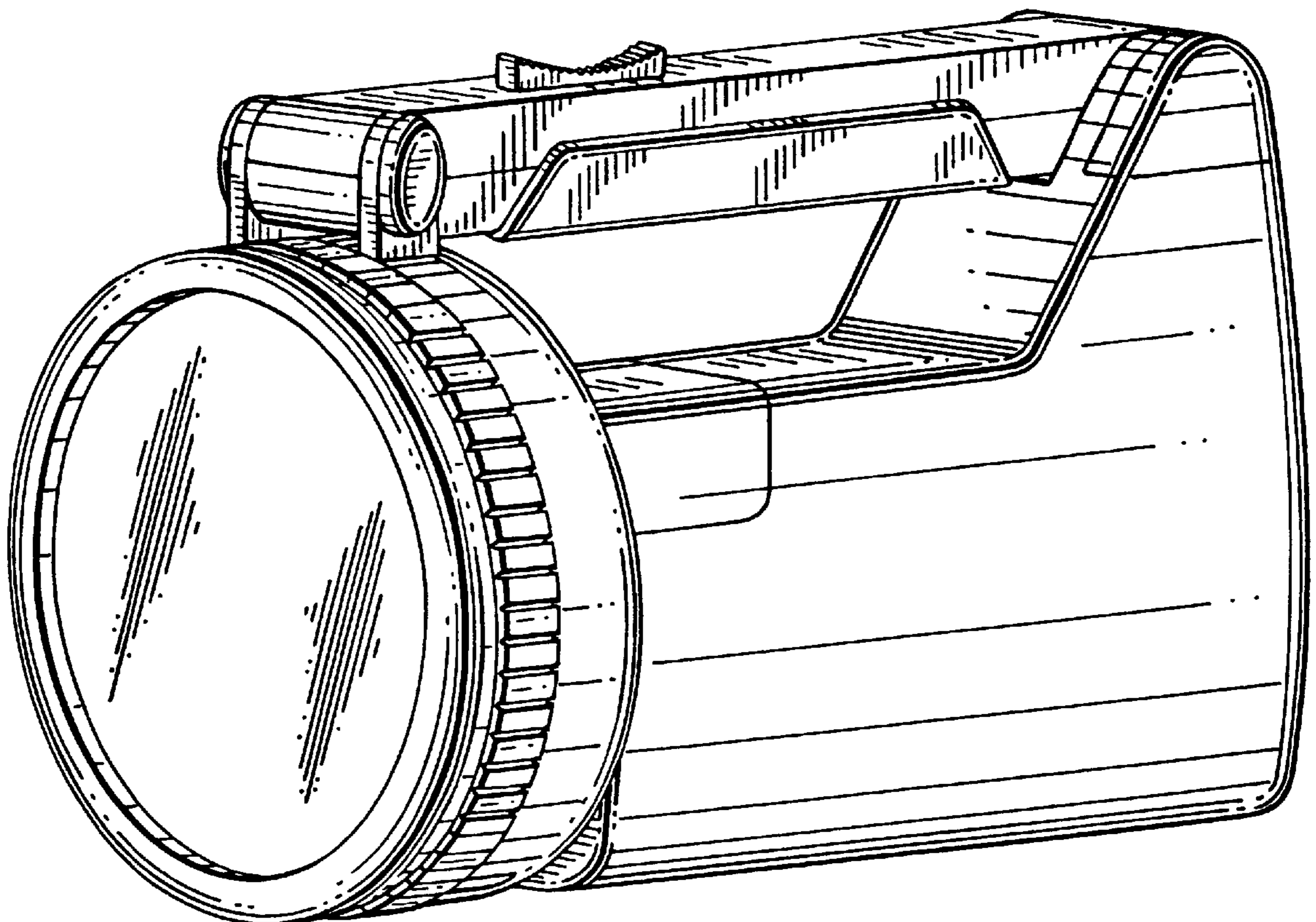
FIG. 12 is a right view thereof; and,

FIG. 13 is a top-rear-right view thereof in a third configuration.

\* cited by examiner

*Primary Examiner*—Marcus A. Jackson

**1 Claim, 13 Drawing Sheets**



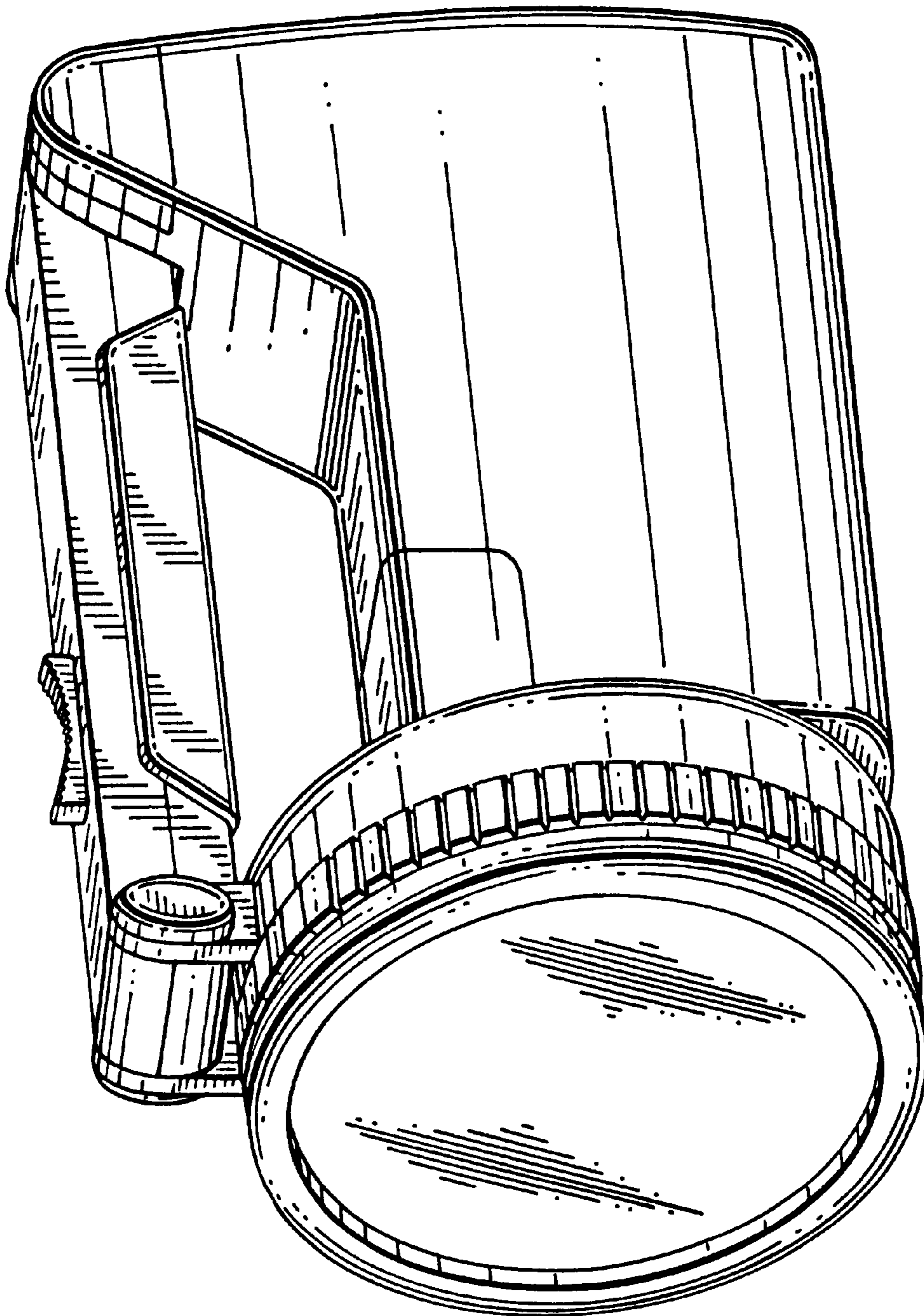


FIG. 1

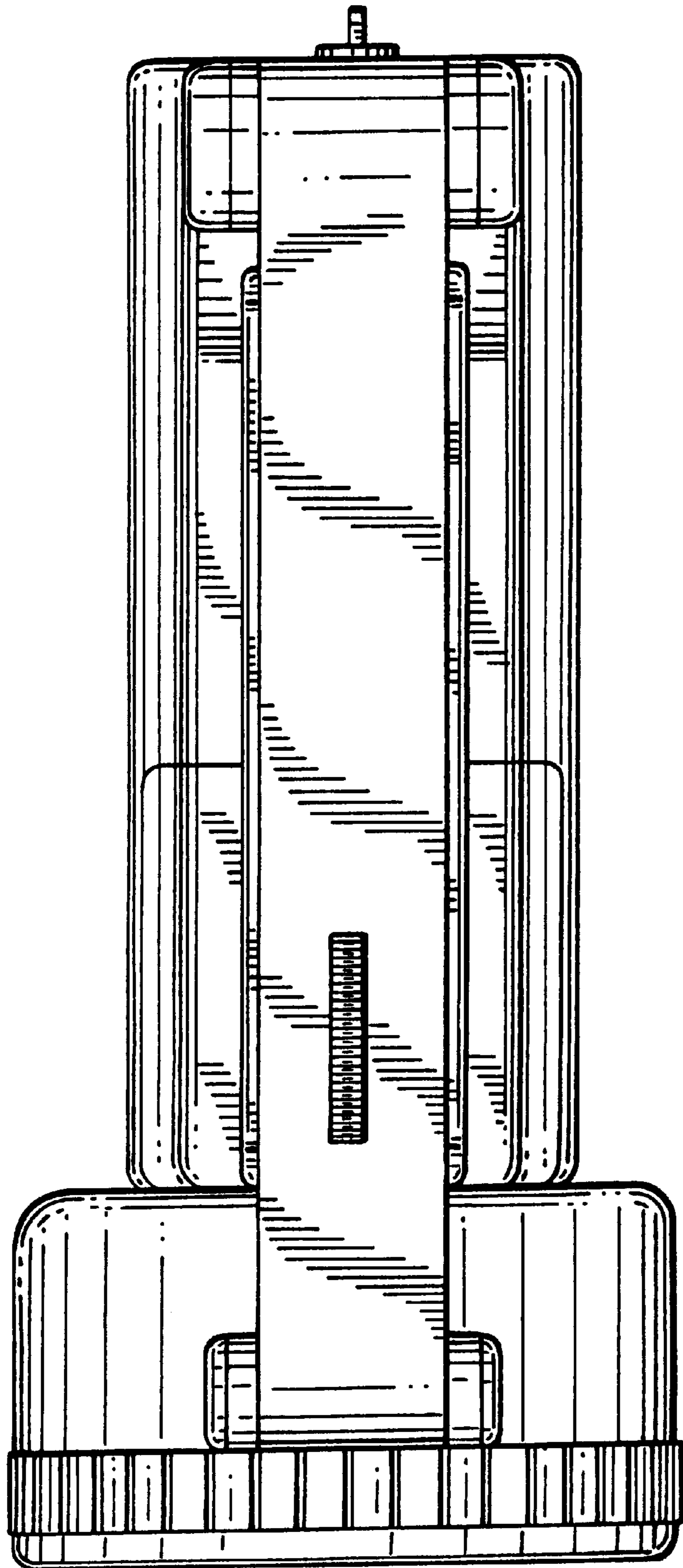


FIG. 2

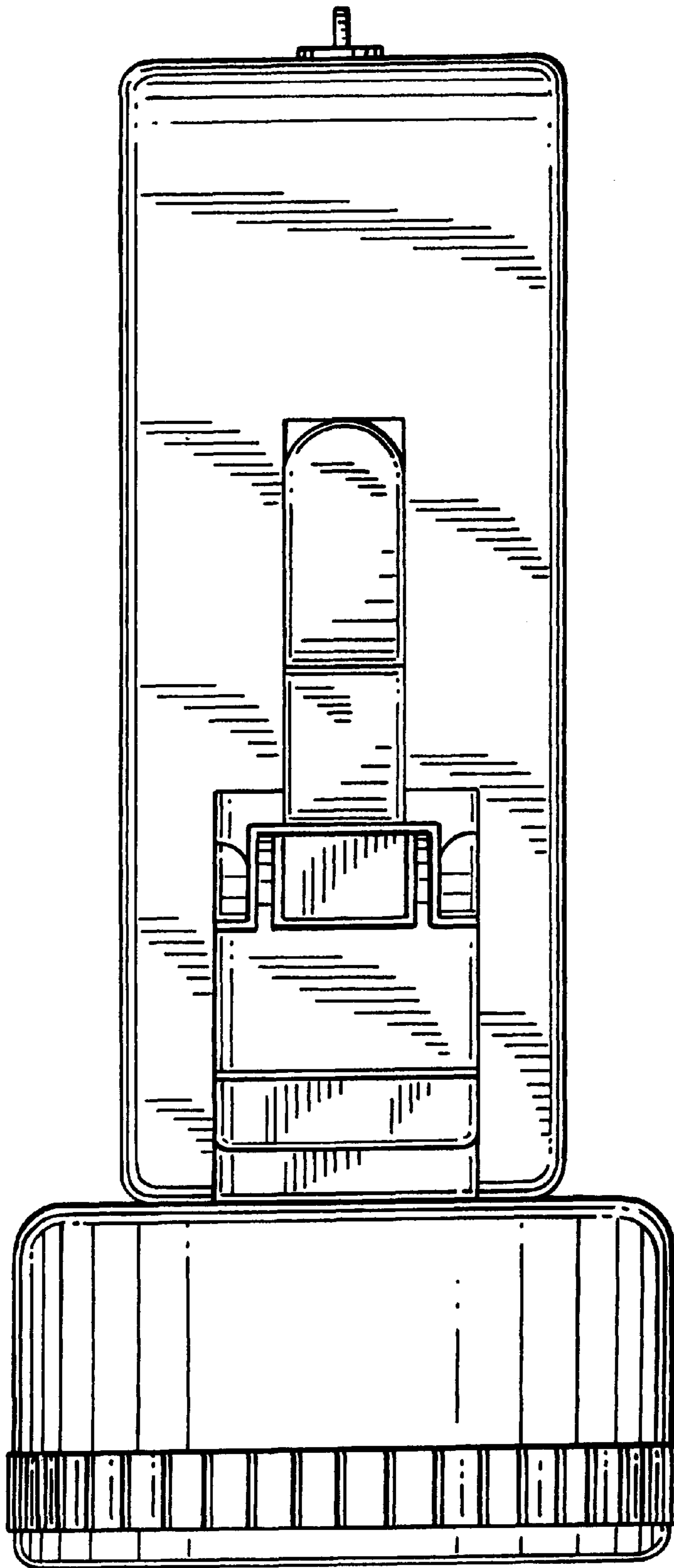


FIG. 3

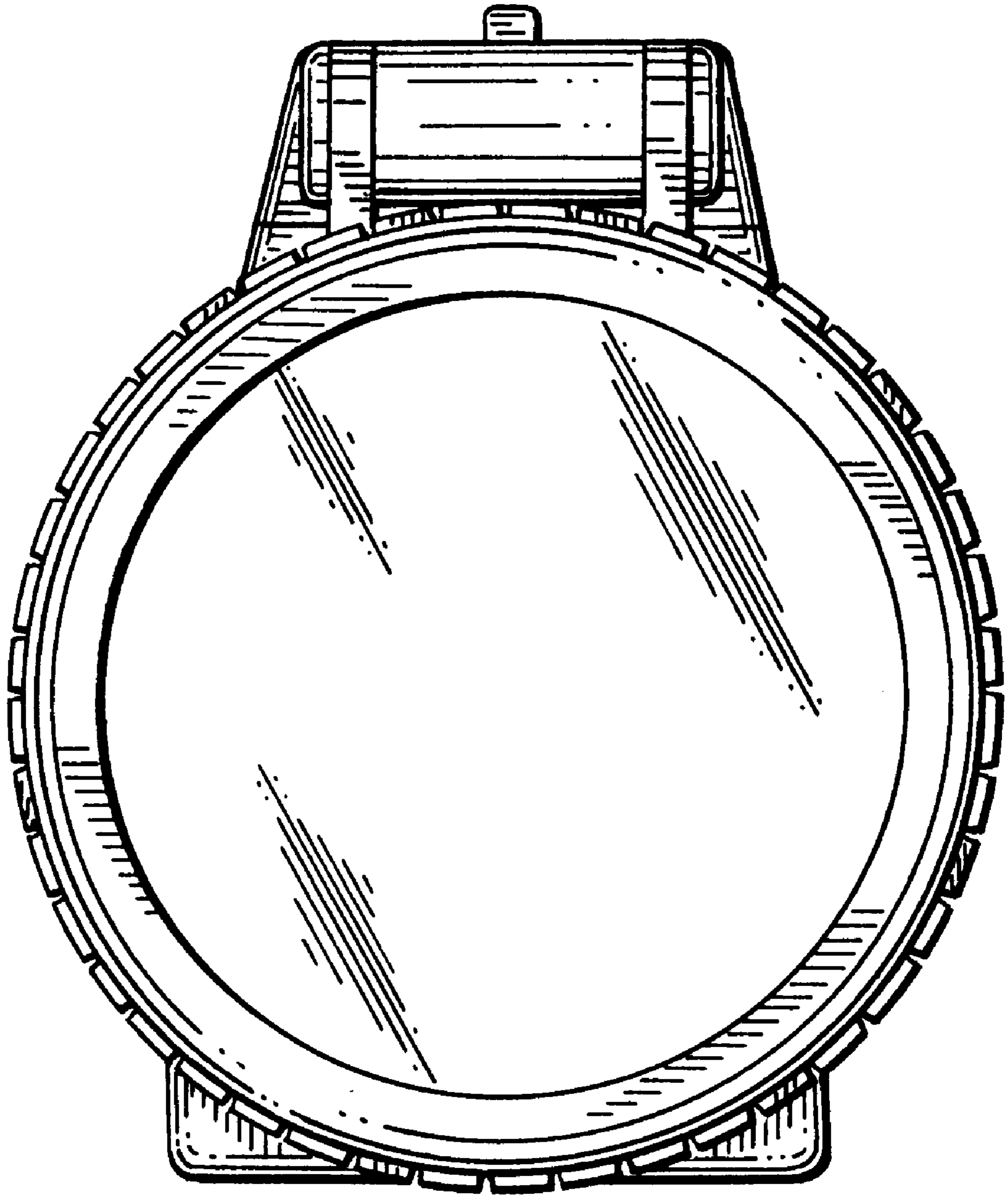


FIG. 4

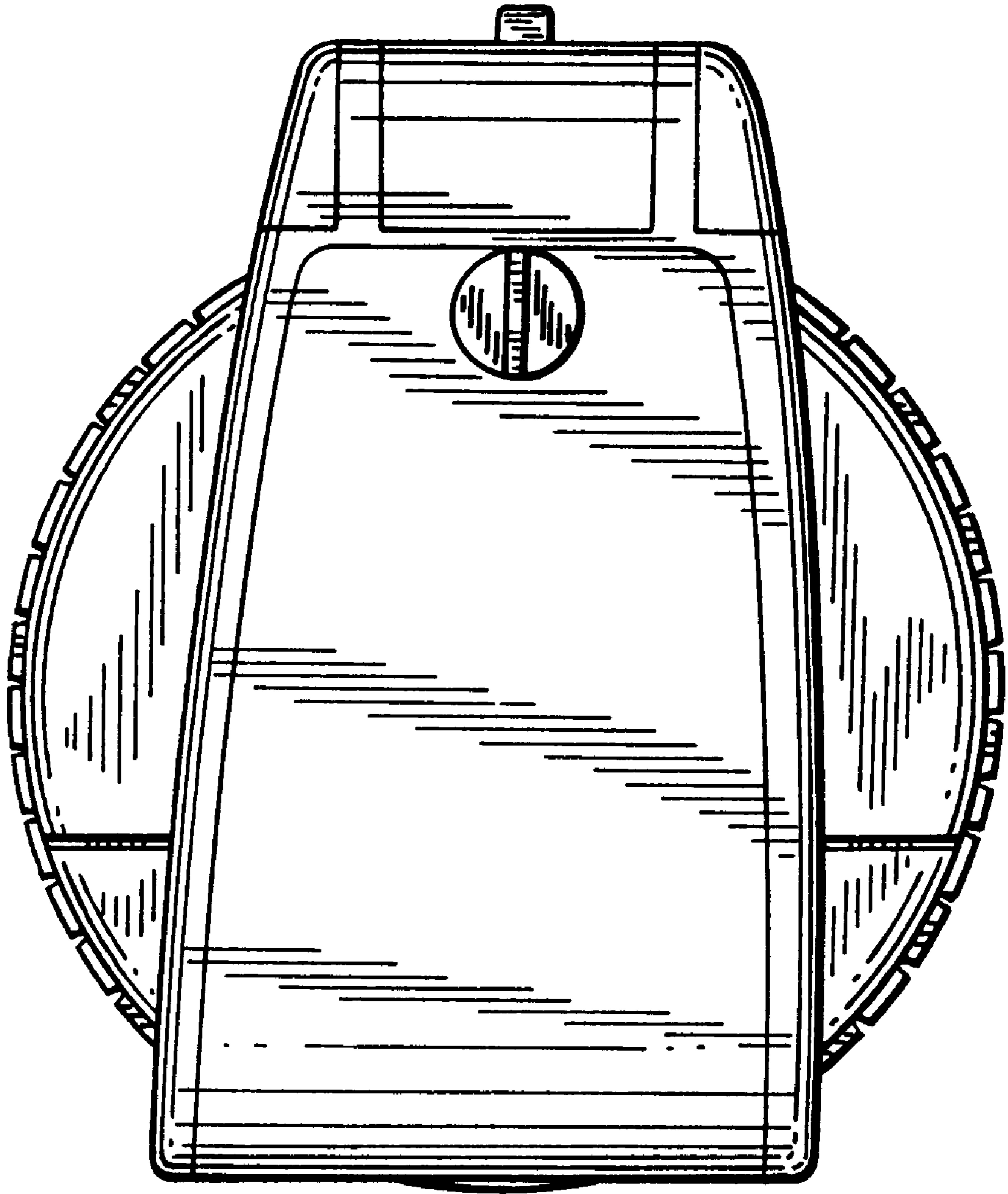


FIG. 5

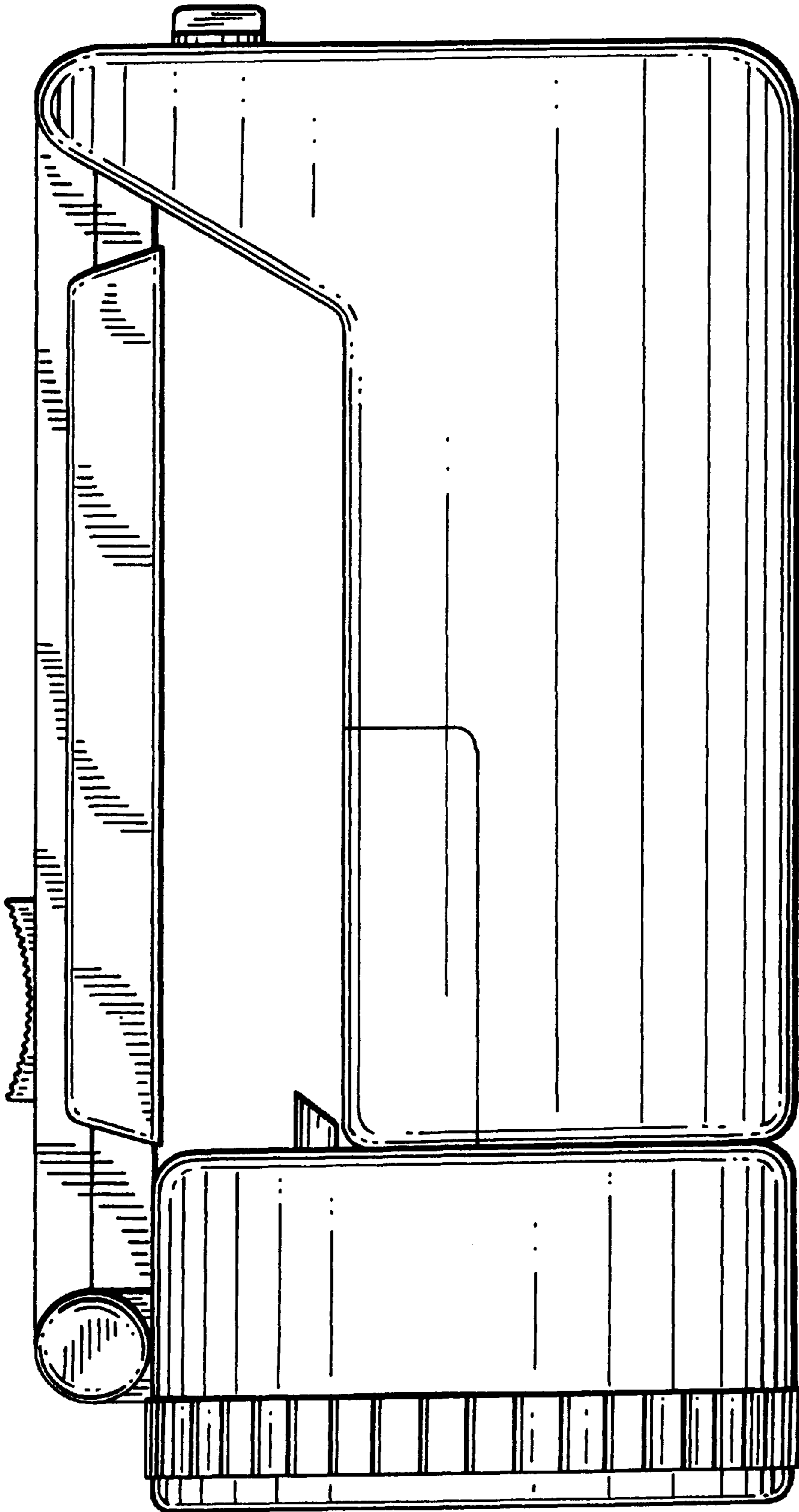


FIG. 6

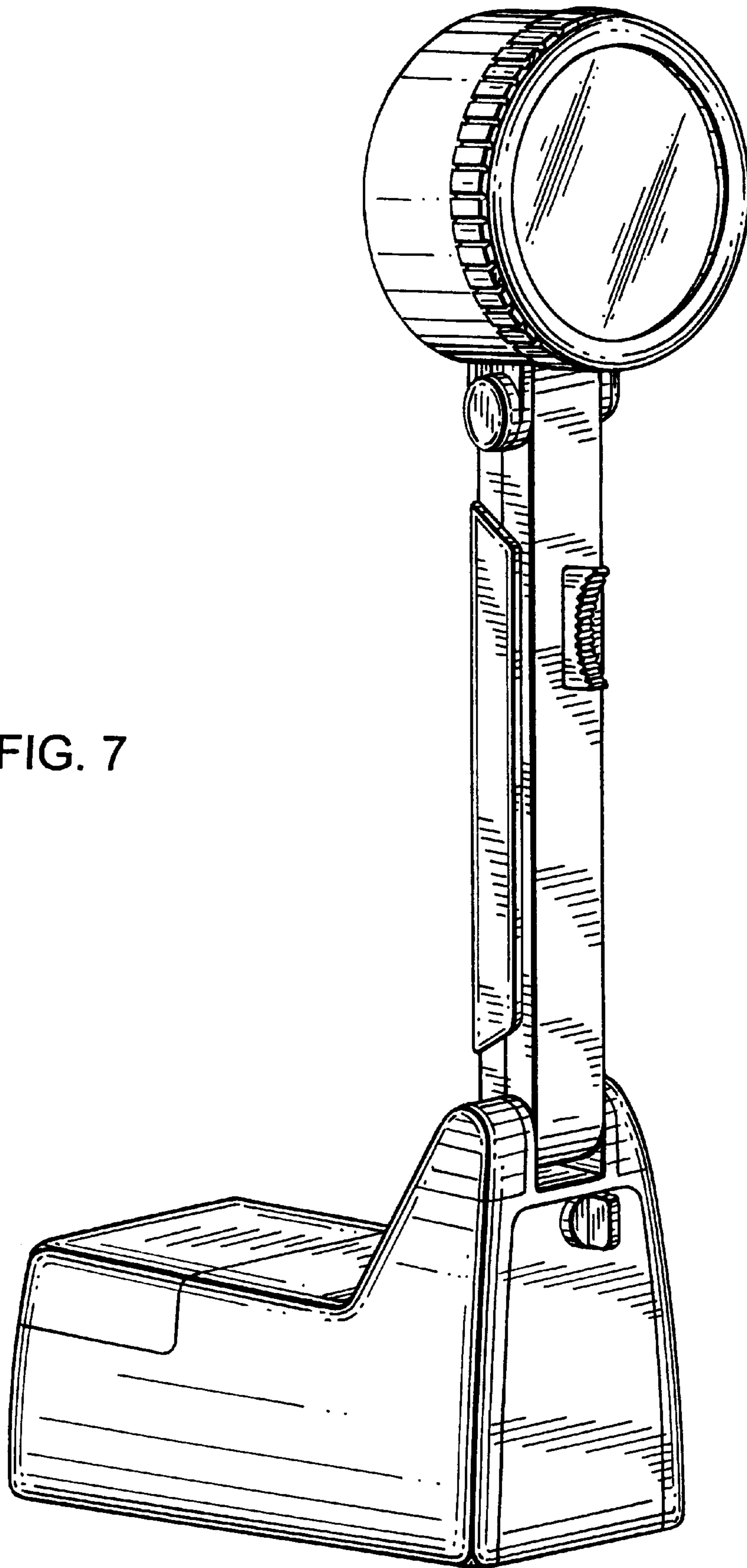


FIG. 7



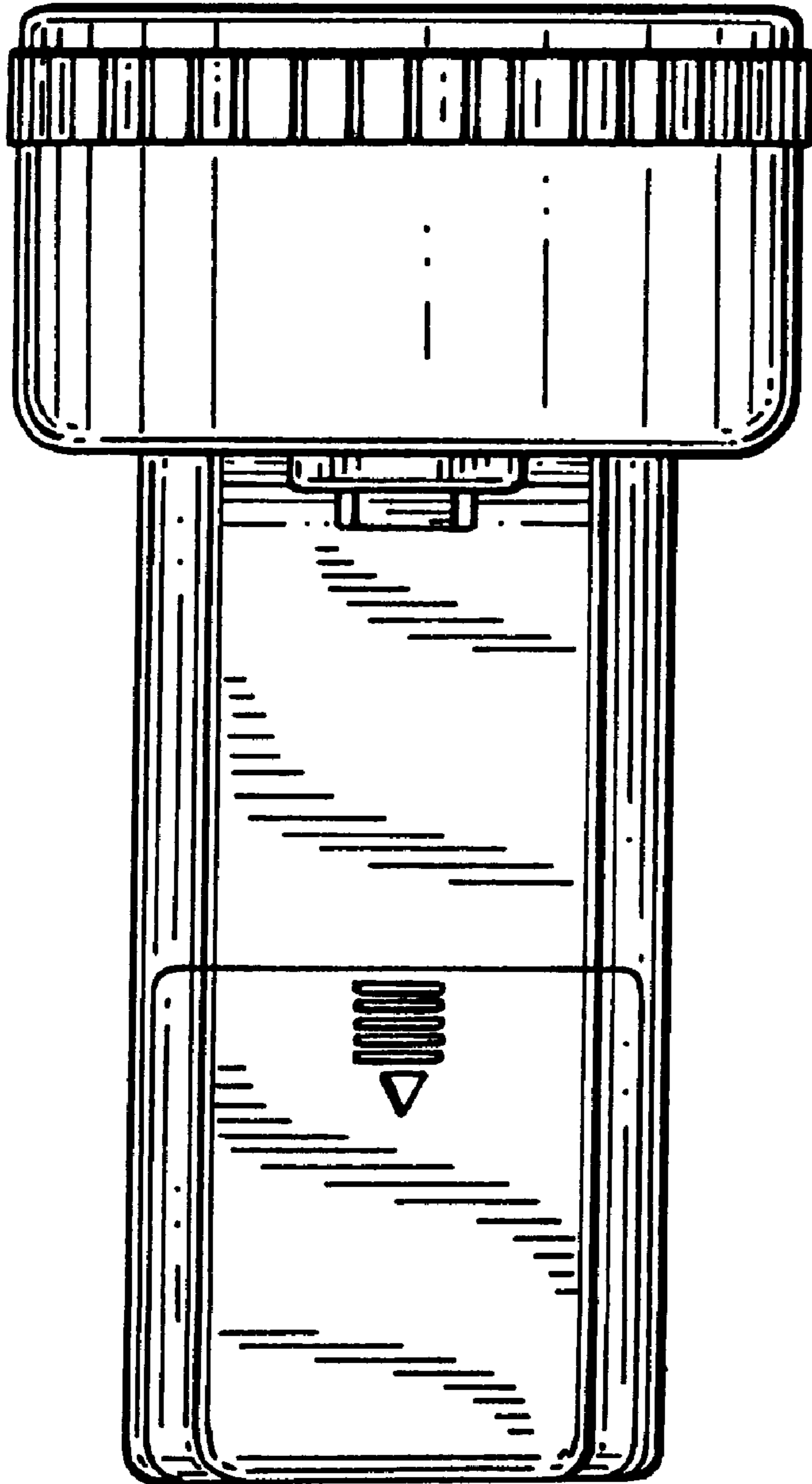


FIG. 8

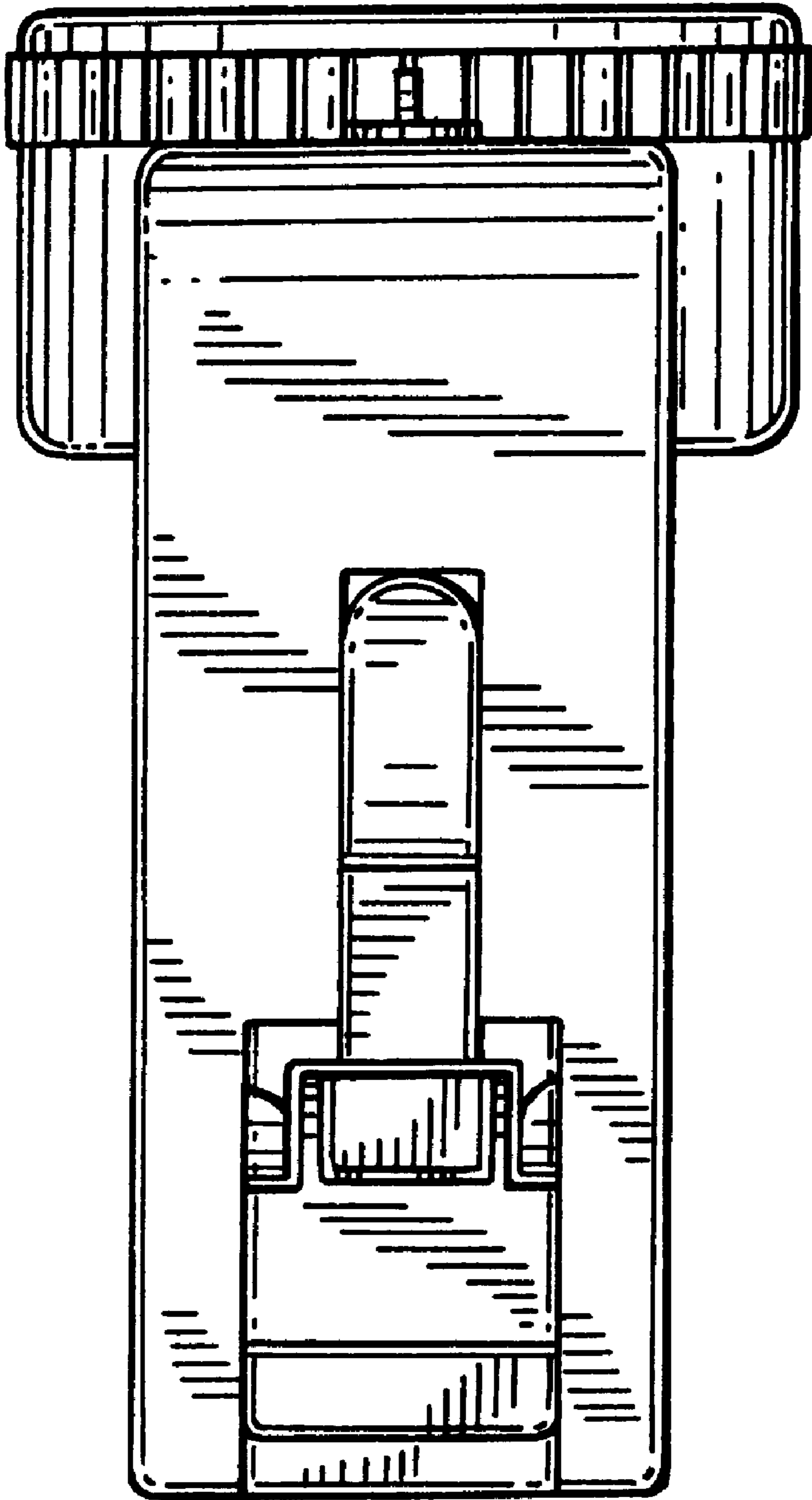


FIG. 9

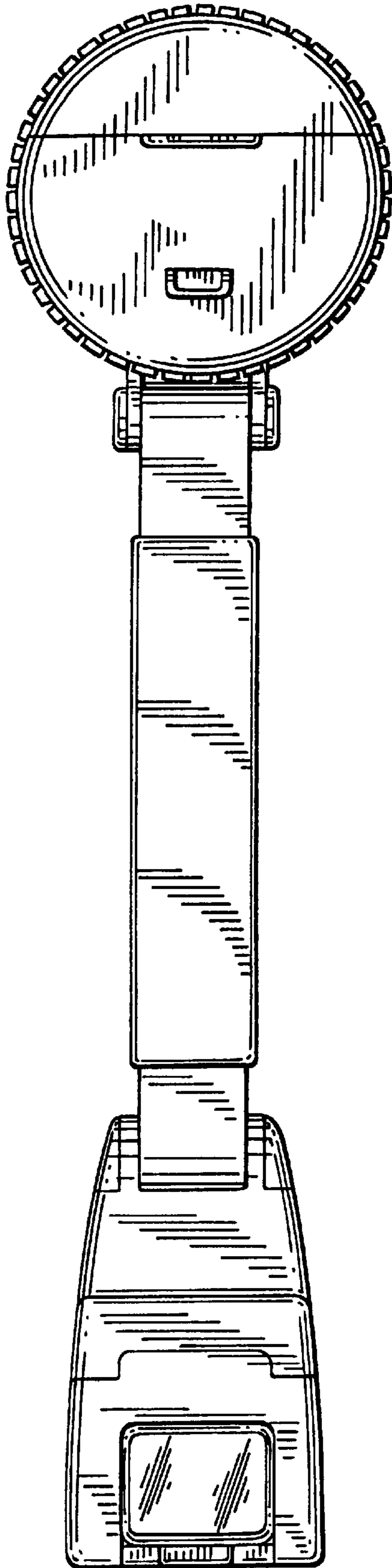


FIG. 10

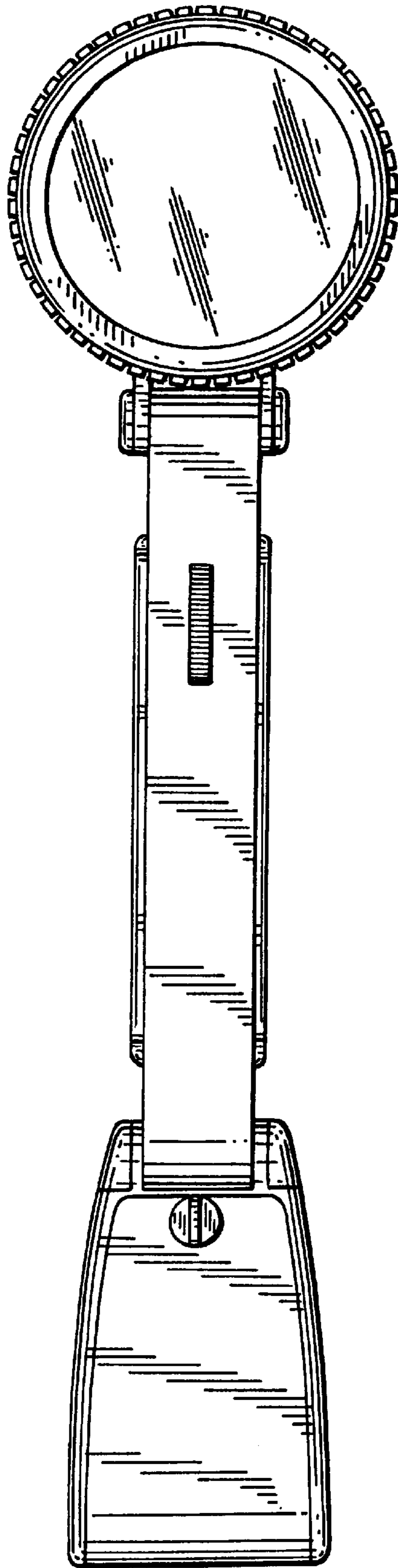


FIG. 11

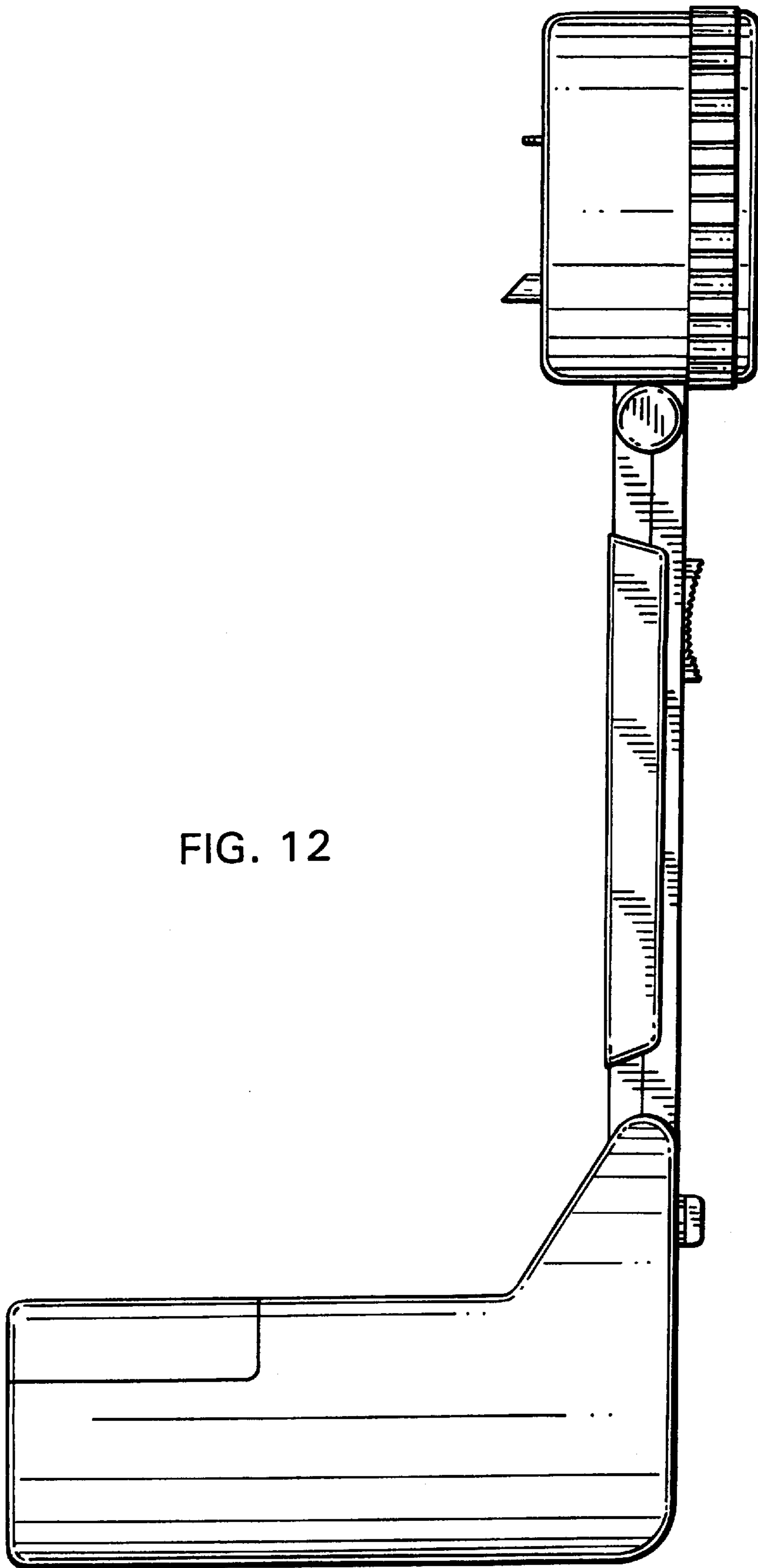


FIG. 12

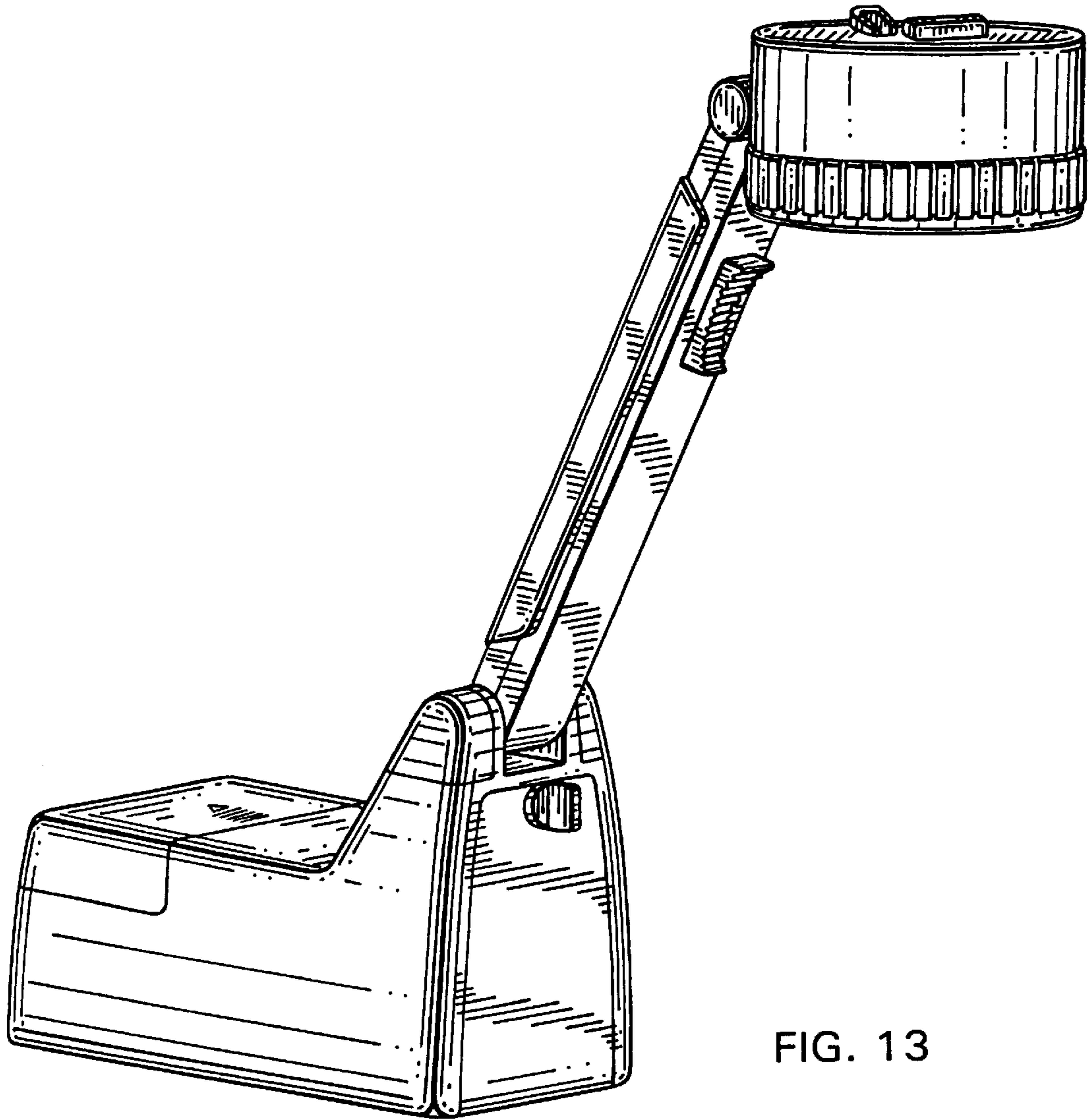


FIG. 13