



US00D437432S

(12) **United States Design Patent**
Meoli, Jr.

(10) **Patent No.:** **US D437,432 S**

(45) **Date of Patent:** **** Feb. 6, 2001**

(54) **FLAT PANEL SOLAR LANTERN**

D. 425,228 * 5/2000 Kibler D26/37

(76) **Inventor:** **Rudy B. Meoli, Jr.**, 8150 E. Oak Ridge Cir., Anaheim Hills, CA (US) 92808

* cited by examiner

(**) **Term:** **14 Years**

Primary Examiner—Marcus A. Jackson
(74) *Attorney, Agent, or Firm*—Price and Gess

(21) **Appl. No.:** **29/121,003**

(57) **CLAIM**

(22) **Filed:** **Mar. 29, 2000**

The ornamental design for the flat panel solar lantern, as shown and described.

(51) **LOC (7) Cl.** **26-02**

DESCRIPTION

(52) **U.S. Cl.** **D26/37**

FIG. 1 is a front elevational view of the flat panel solar lantern;

(58) **Field of Search** D26/37-50; 362/157, 362/158, 183-208

FIG. 2 is a left side elevational view of the flat panel solar lantern;

(56) **References Cited**

FIG. 3 is a right side elevational view of the flat panel solar lantern;

U.S. PATENT DOCUMENTS

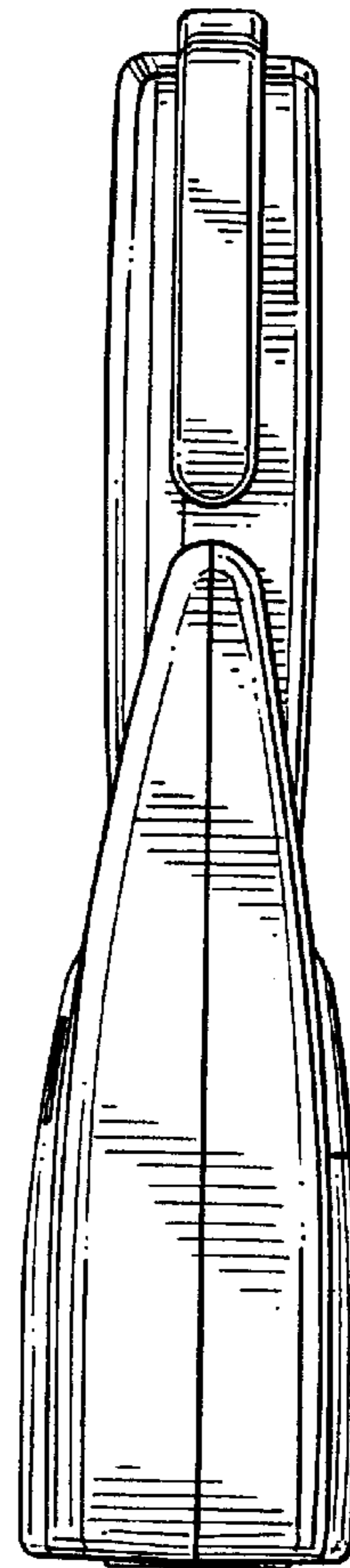
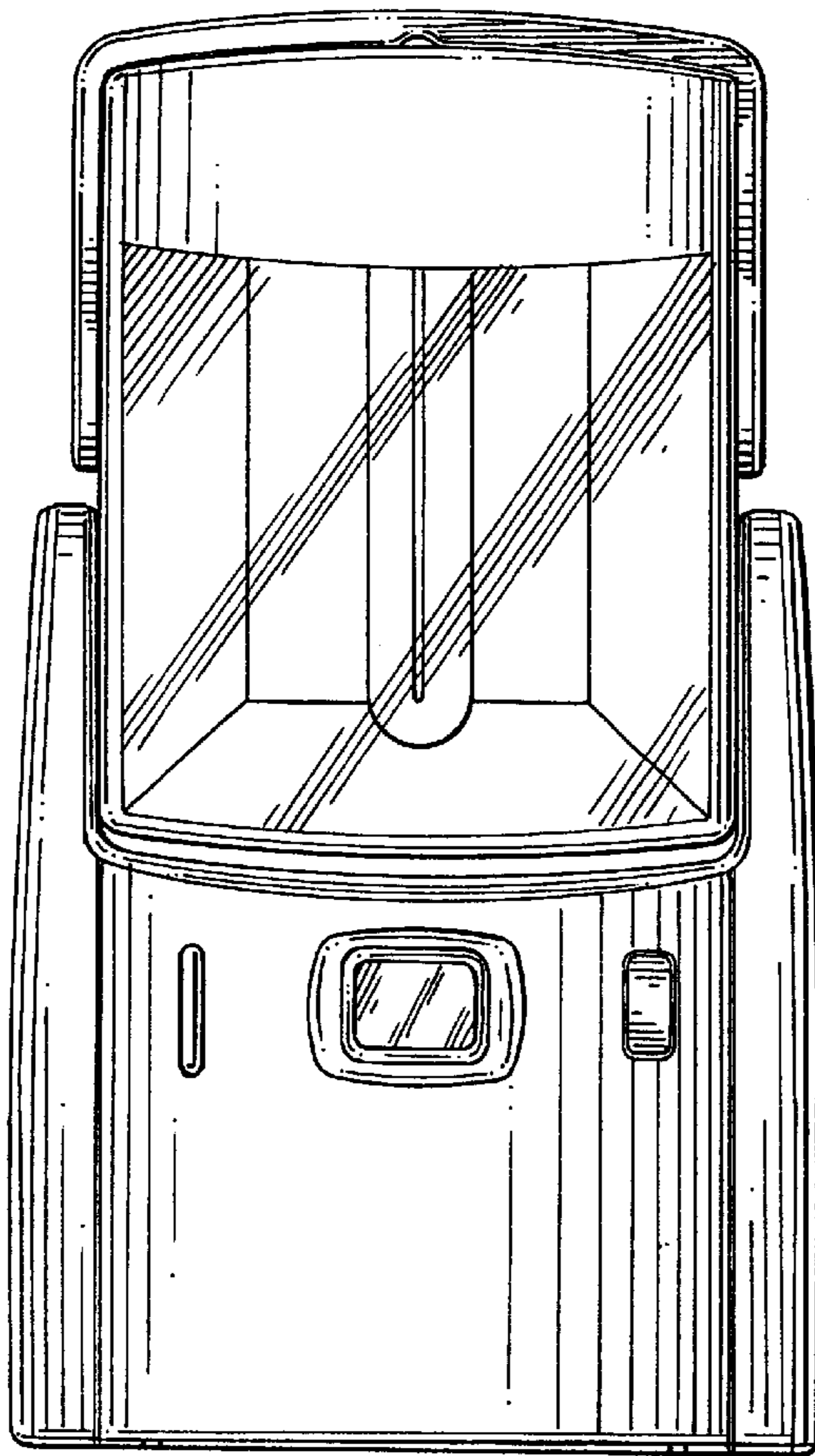
- D. 361,633 * 8/1995 Chabria D26/37
- D. 374,492 * 10/1996 Coe D26/37
- D. 390,678 * 2/1998 Matthes D26/37
- D. 405,551 * 2/1999 Lynch et al. D26/37
- D. 422,103 * 3/2000 Chen D26/37

FIG. 4 is a top plan view of the flat panel solar lantern;

FIG. 5 is a bottom plan view of the flat panel solar lantern;

and,
FIG. 6 is a rear elevational view of the flat panel solar lantern.

1 Claim, 2 Drawing Sheets



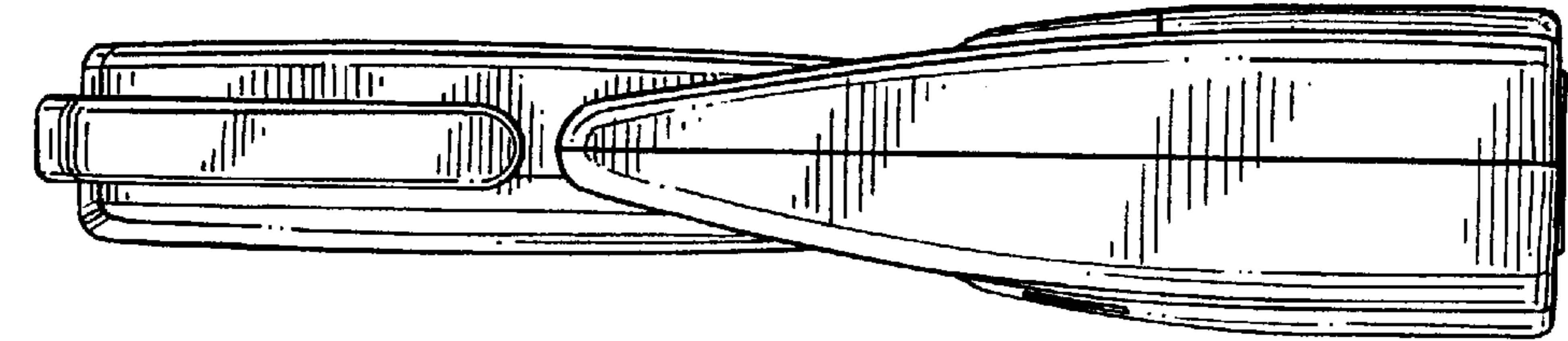


FIG. 3

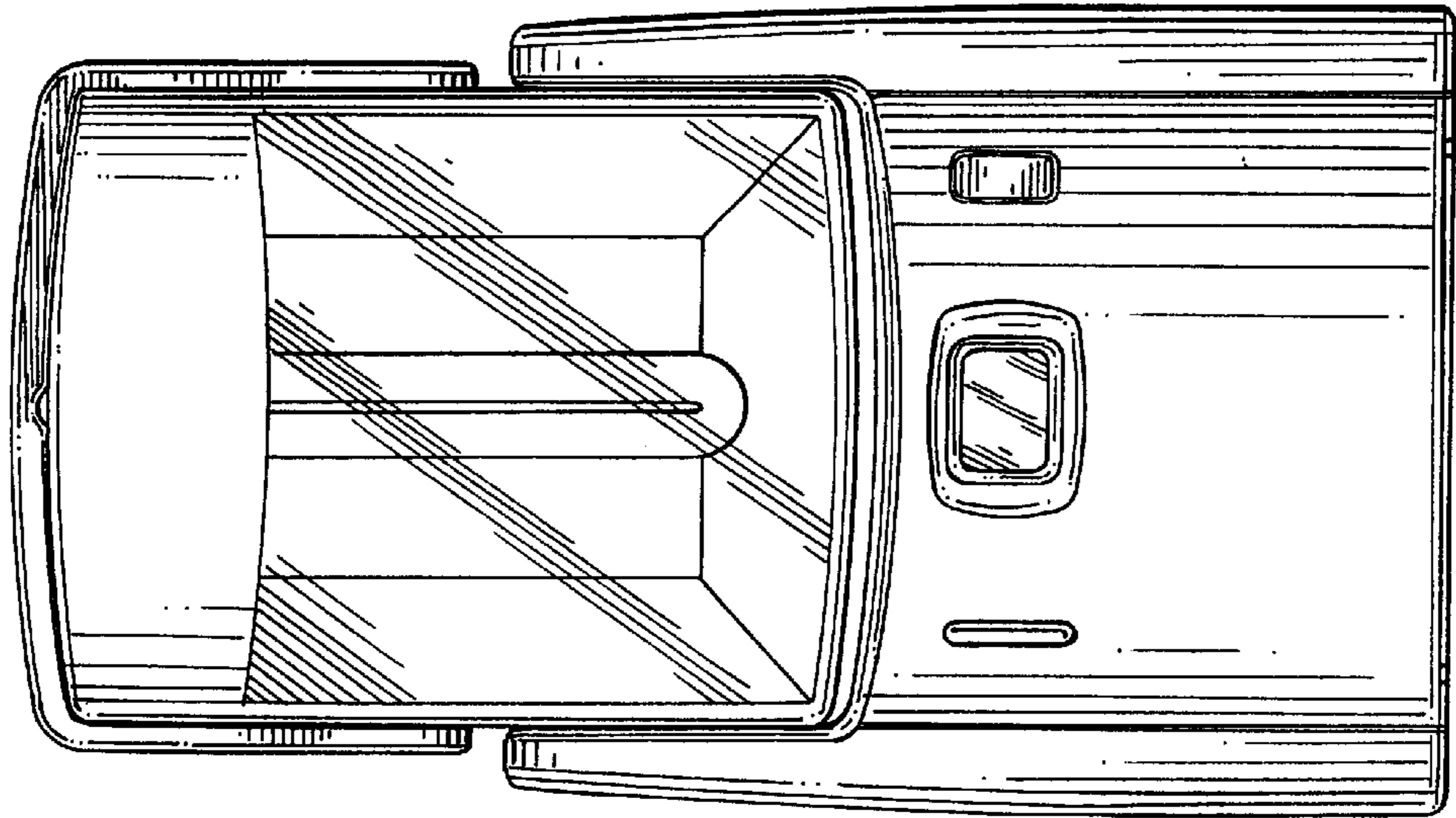


FIG. 1

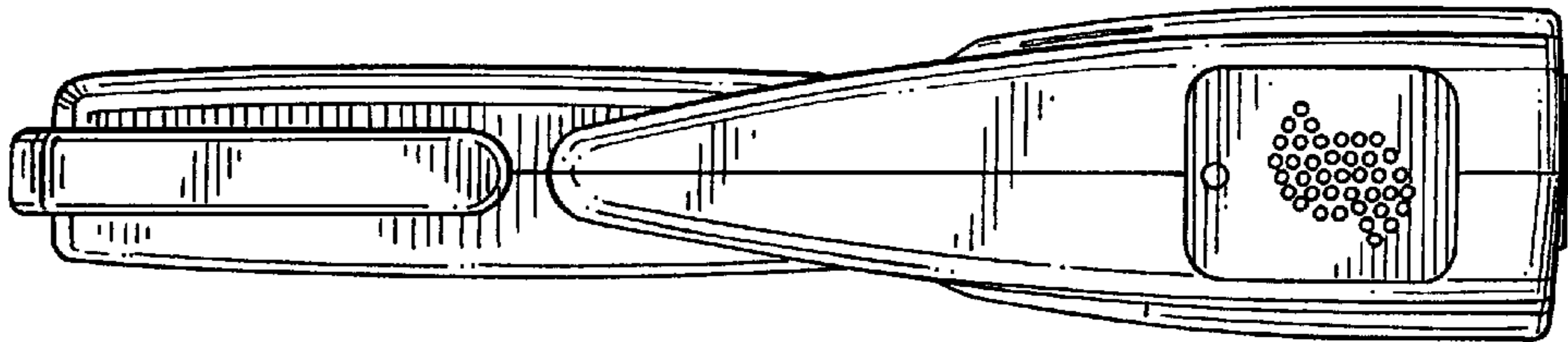


FIG. 2

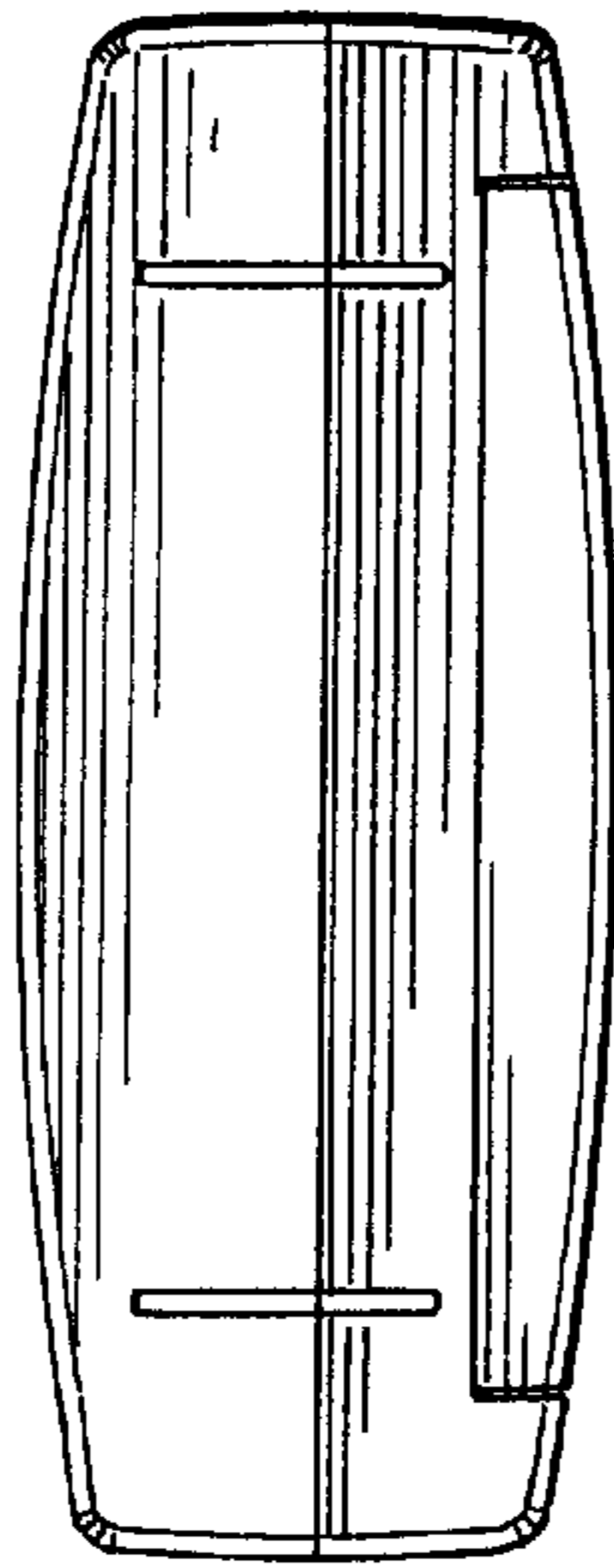


FIG. 5

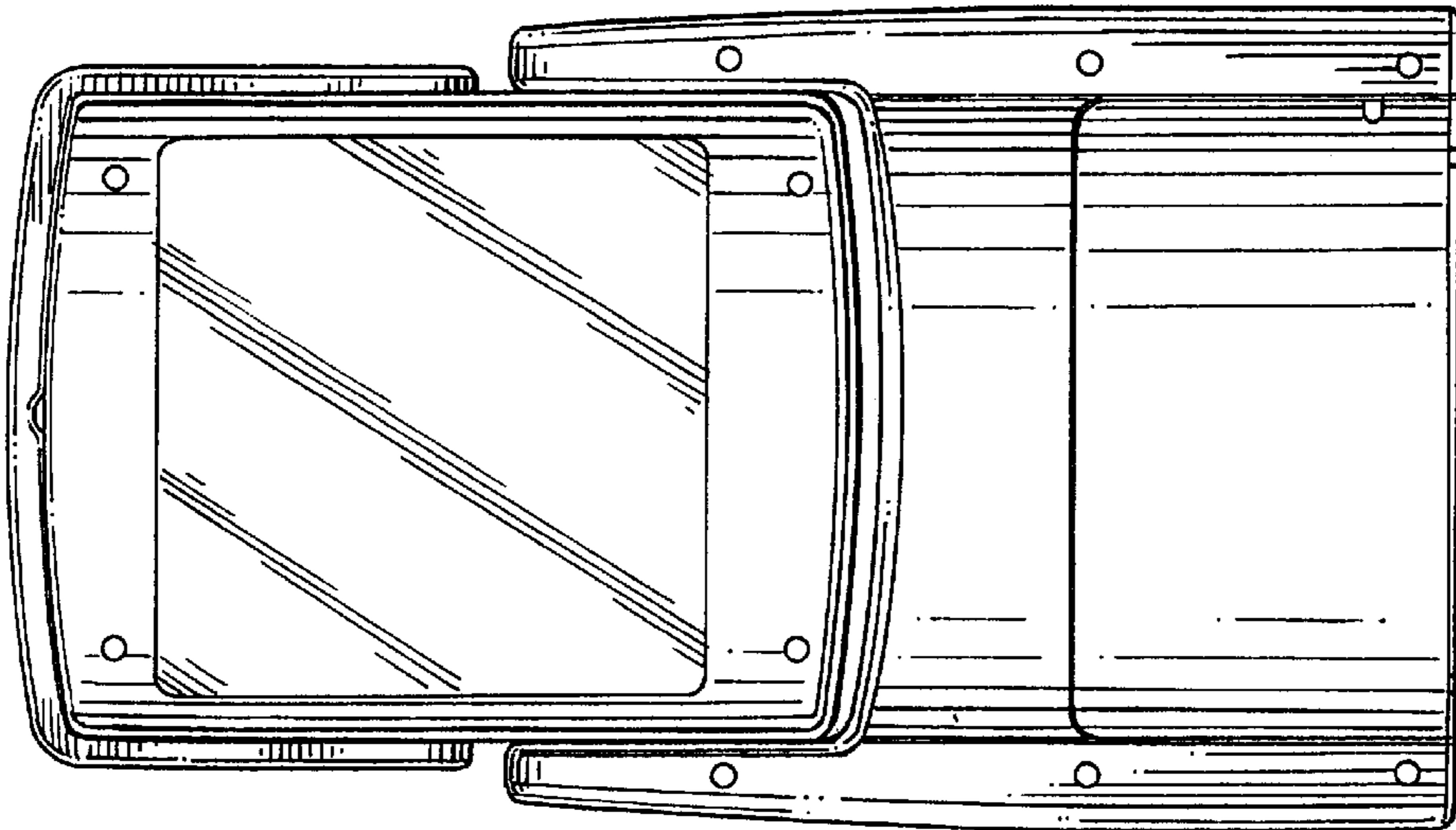


FIG. 6

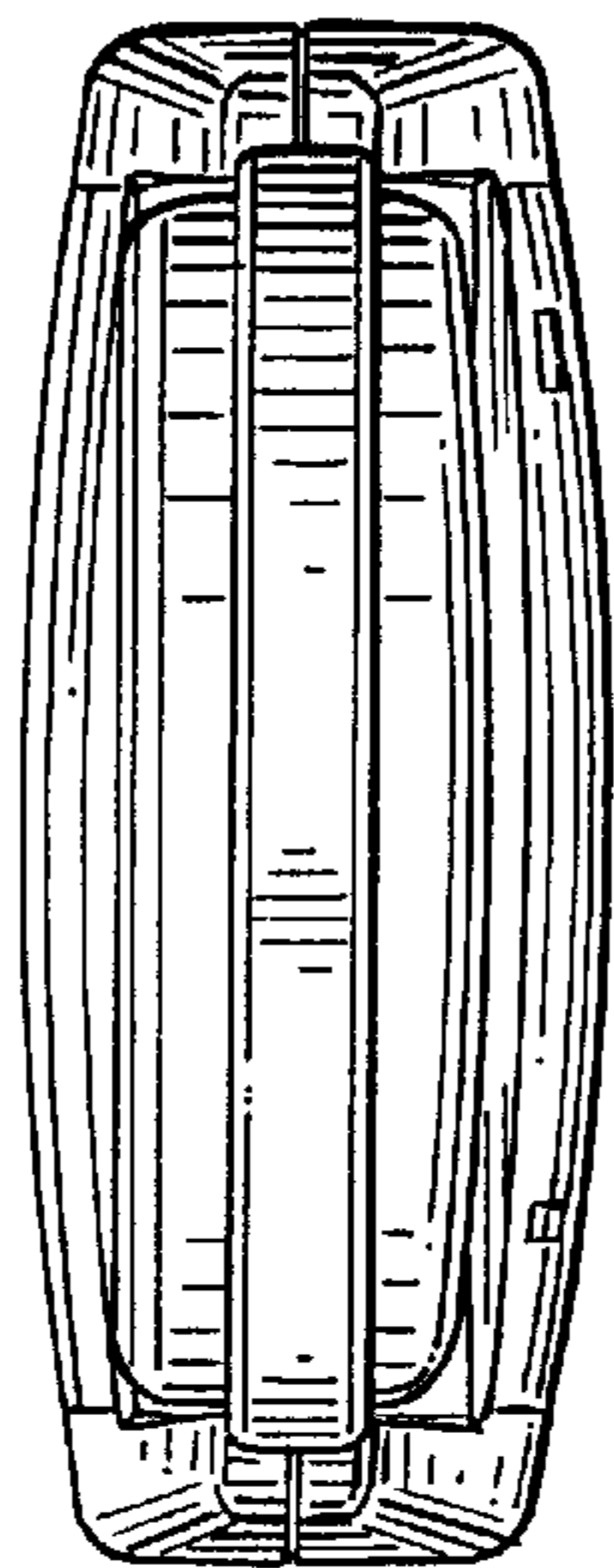


FIG. 4