



US00D437431S

(12) **United States Design Patent**
Crouse et al.

(10) **Patent No.: US D437,431 S**

(45) **Date of Patent: ** Feb. 6, 2001**

(54) **SUPPLEMENTAL REVERSE LIGHTING UNIT**

(75) Inventors: **Charles R. Crouse**, Wake Forest;
Roger M. Byers, Dana, both of NC (US)

(73) Assignee: **Byers Precision Fabricators, Inc.**, Hendersonville, NC (US)

(**) Term: **14 Years**

(21) Appl. No.: **29/126,981**

(22) Filed: **Jul. 27, 2000**

(51) **LOC (7) Cl.** **26-04**

(52) **U.S. Cl.** **D26/28**

(58) **Field of Search** D26/28-36; 362/61,
362/80, 80.1, 81, 82, 83, 83.2, 83.3, 227,
235, 240, 243, 362

(56) **References Cited**

U.S. PATENT DOCUMENTS

D. 385,370 * 10/1997 Moore D26/28
2,912,675 11/1959 Habsburg-Lothringen et al. .
4,800,471 1/1989 Lippert .

* cited by examiner

Primary Examiner—Marcus A. Jackson

(74) *Attorney, Agent, or Firm*—Carter & Schnedler, P.A.

(57) **CLAIM**

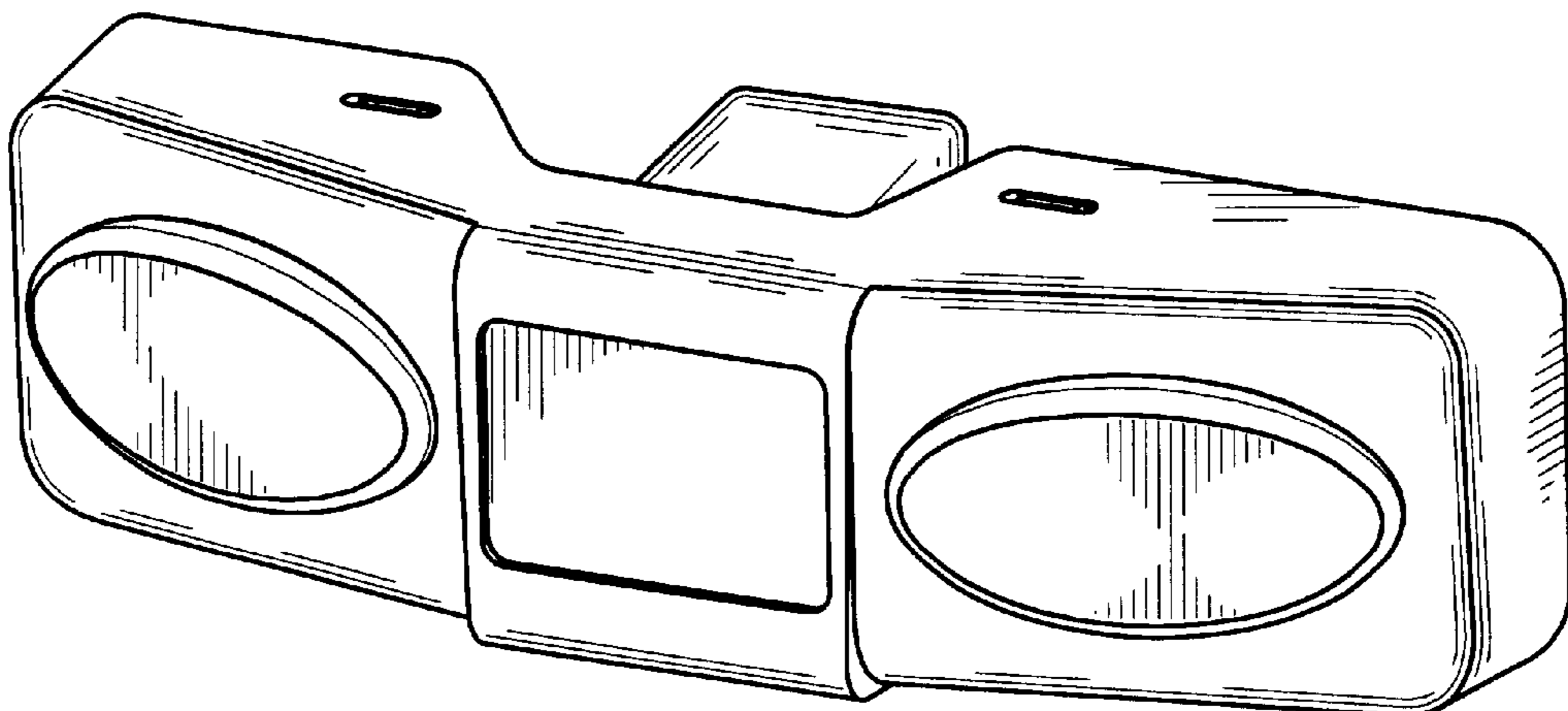
The ornamental design for a supplemental reverse lighting unit, as shown and described.

DESCRIPTION

FIG. 1 is a front perspective view of a supplemental reverse lighting unit showing one embodiment of our new design; FIG. 2 is rear perspective view of the embodiment of FIG. 1; FIG. 3 is a front elevational view of the embodiment of FIG. 1;

FIG. 4 is a rear elevational view of the embodiment of FIG. 1; FIG. 5 is a right side elevational view of the embodiment of FIG. 1; FIG. 6 is a left side elevational view of the embodiment of FIG. 1; FIG. 7 is a top plan view of the embodiment of FIG. 1; FIG. 8 is a bottom plan view of the embodiment of FIG. 1; FIG. 9 is a front perspective view of a supplemental reverse lighting unit showing a second embodiment of our new design; FIG. 10 is rear perspective view of the embodiment of FIG. 9; FIG. 11 is a front elevational view of the embodiment of FIG. 9; FIG. 12 is a rear elevational view of the embodiment of FIG. 9; FIG. 13 is a right side elevational view of the embodiment of FIG. 9; FIG. 14 is a left side elevational view of the embodiment of FIG. 9; FIG. 15 is a top plan view of the embodiment of FIG. 9; FIG. 16 is a bottom plan view of the embodiment of FIG. 9; FIG. 17 is a front perspective view of a supplemental reverse lighting unit showing a third embodiment of our new design; FIG. 18 is rear perspective view of the embodiment of FIG. 17; FIG. 19 is a front elevational view of the embodiment of FIG. 17; FIG. 20 is a rear elevational view of the embodiment of FIG. 17; FIG. 21 is a right side elevational view of the embodiment of FIG. 17; FIG. 22 is a left side elevational view of the embodiment of FIG. 17; FIG. 23 is a top plan view of the embodiment of FIG. 17; and, FIG. 24 is a bottom plan view of the embodiment of FIG. 17.

1 Claim, 9 Drawing Sheets



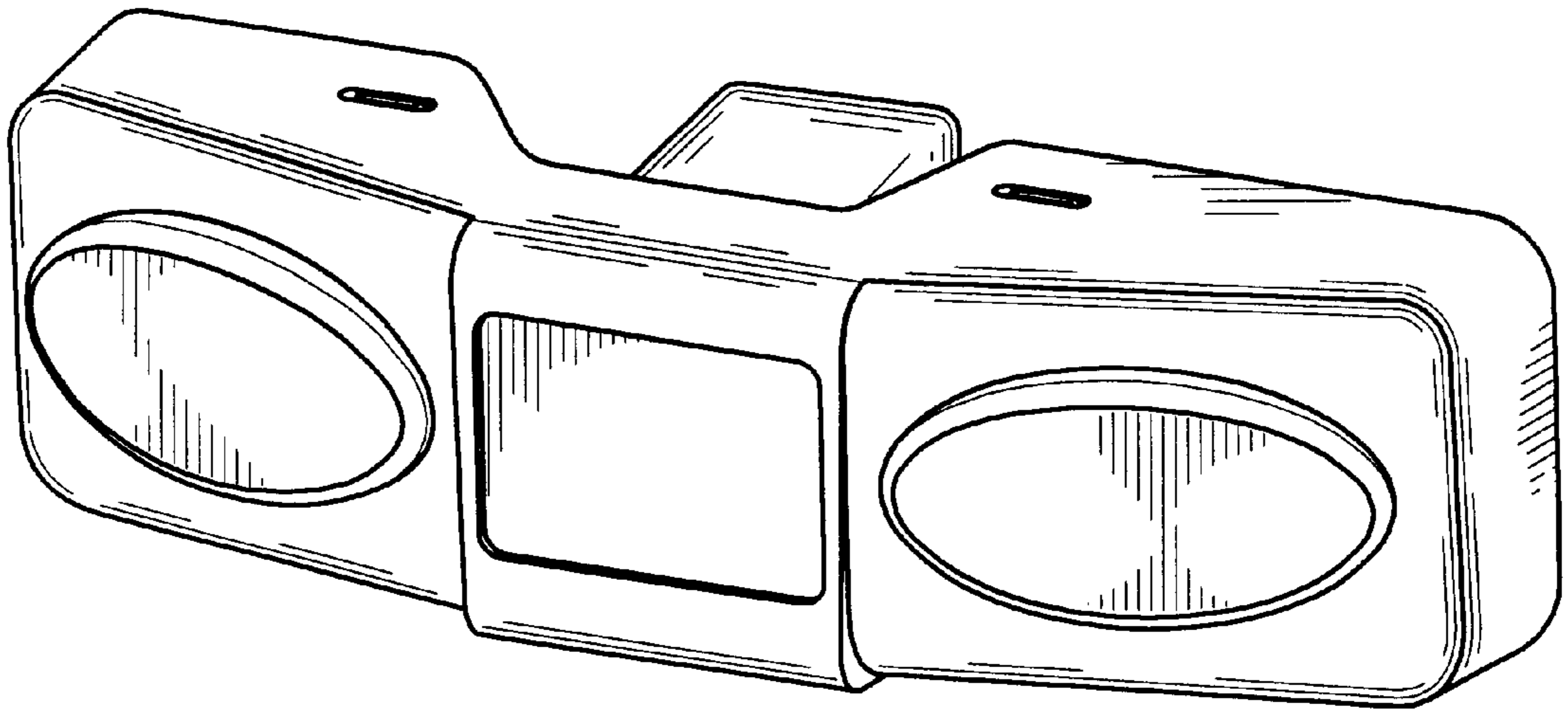


Fig. 1

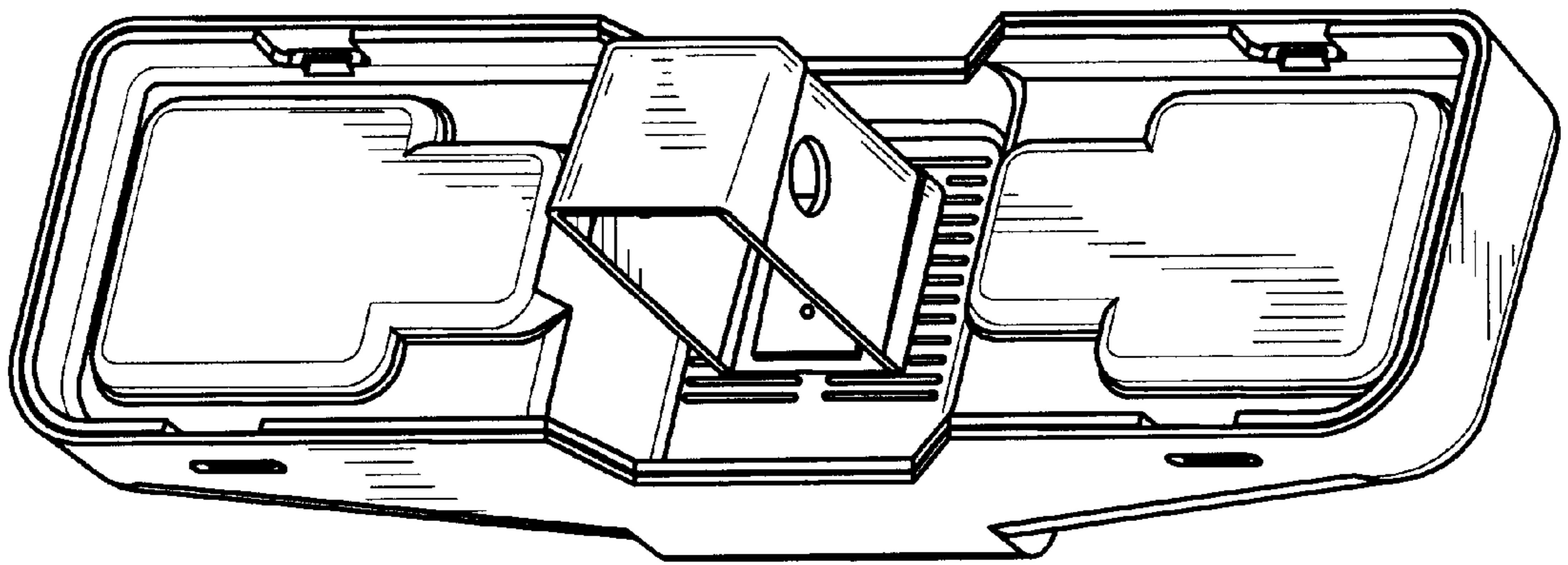


Fig. 2

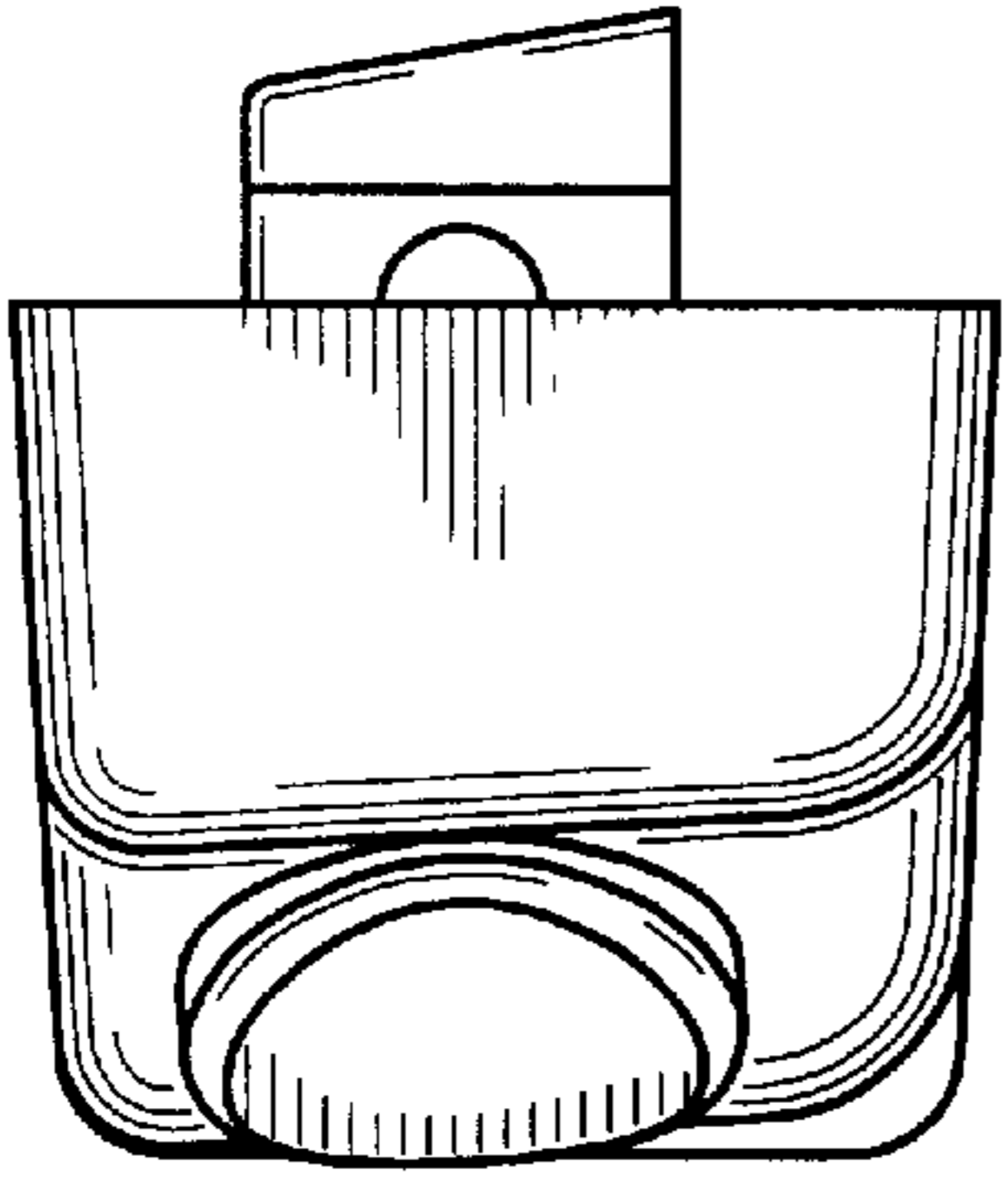


Fig. 6

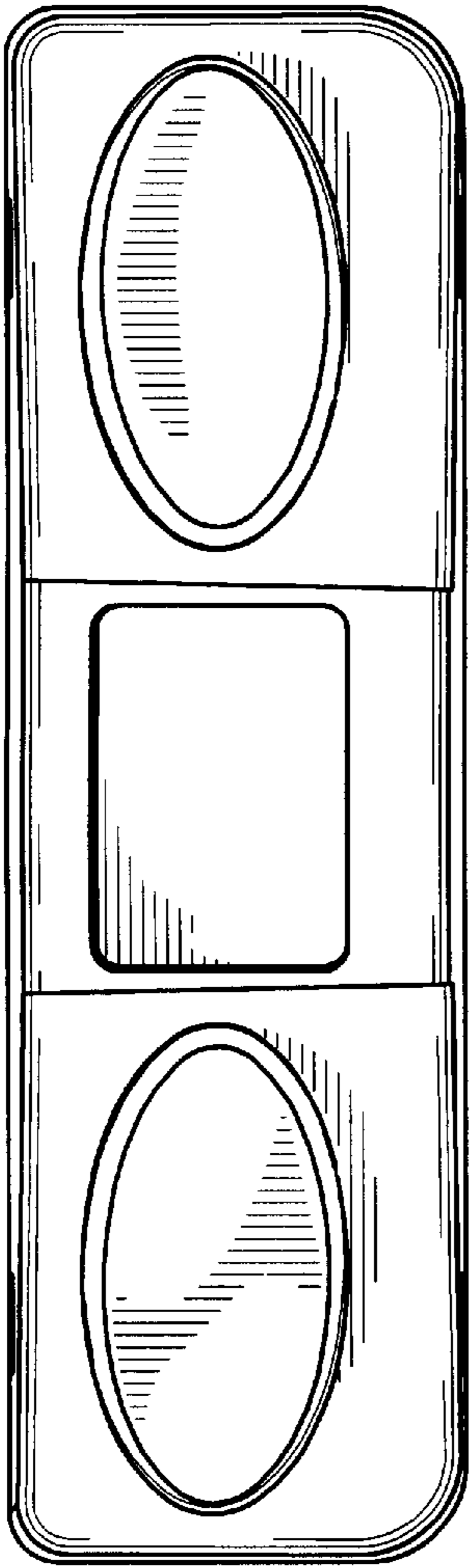


Fig. 3

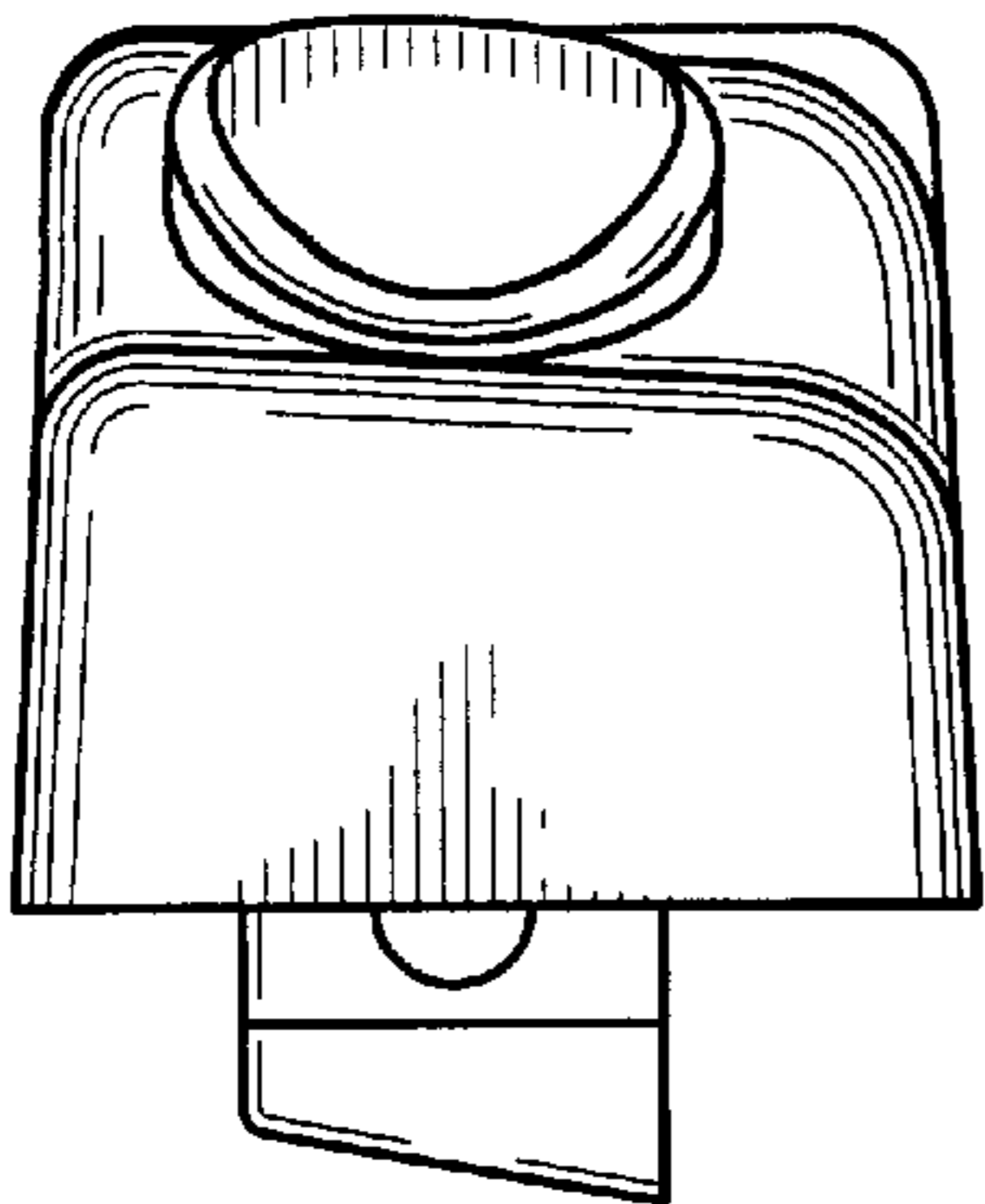


Fig. 5

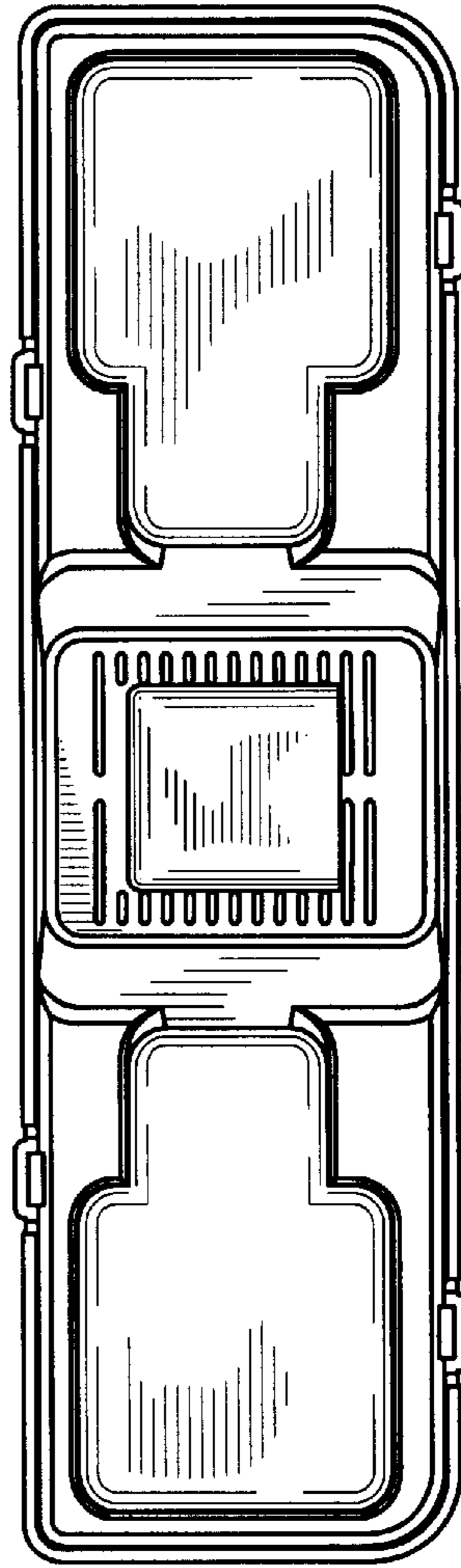


Fig. 4

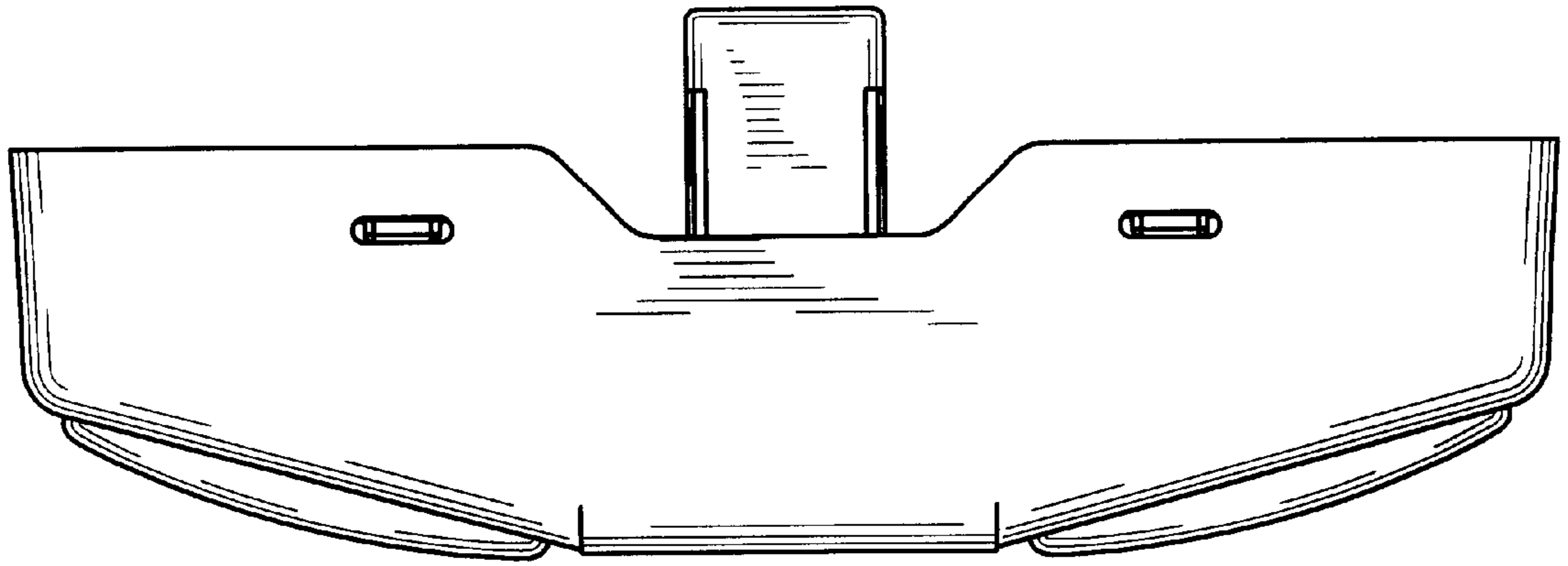


Fig. 7

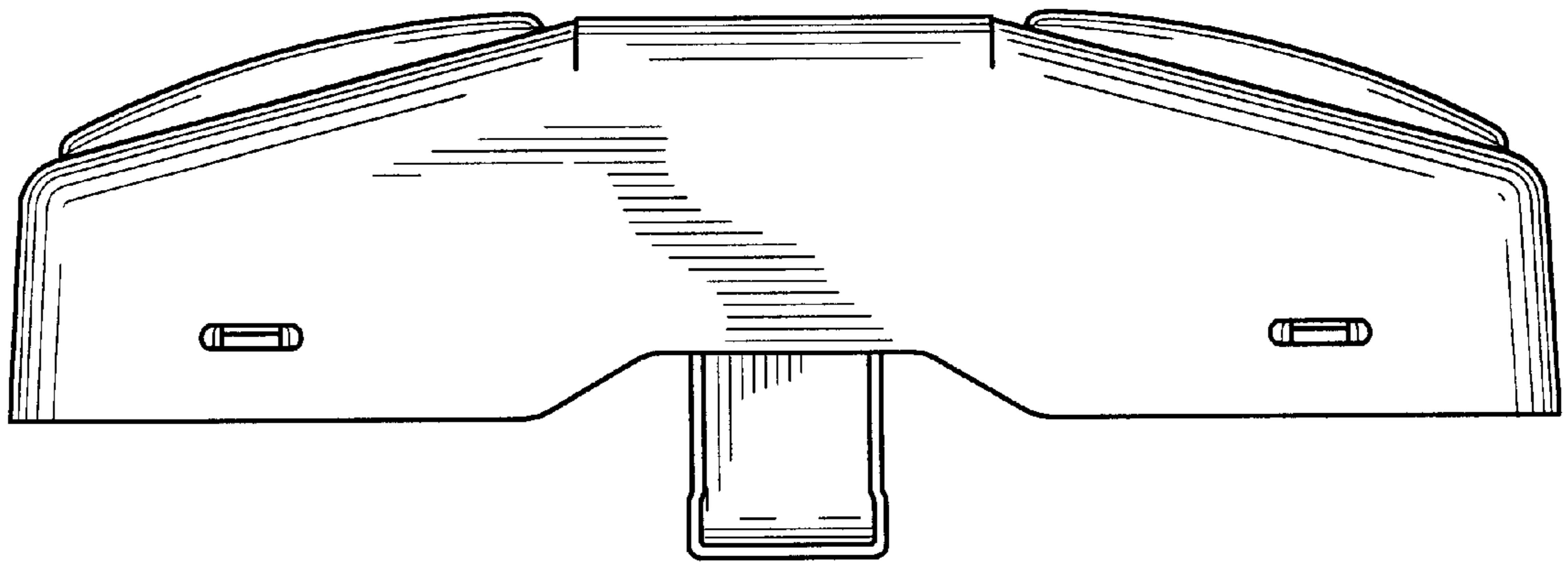


Fig. 8

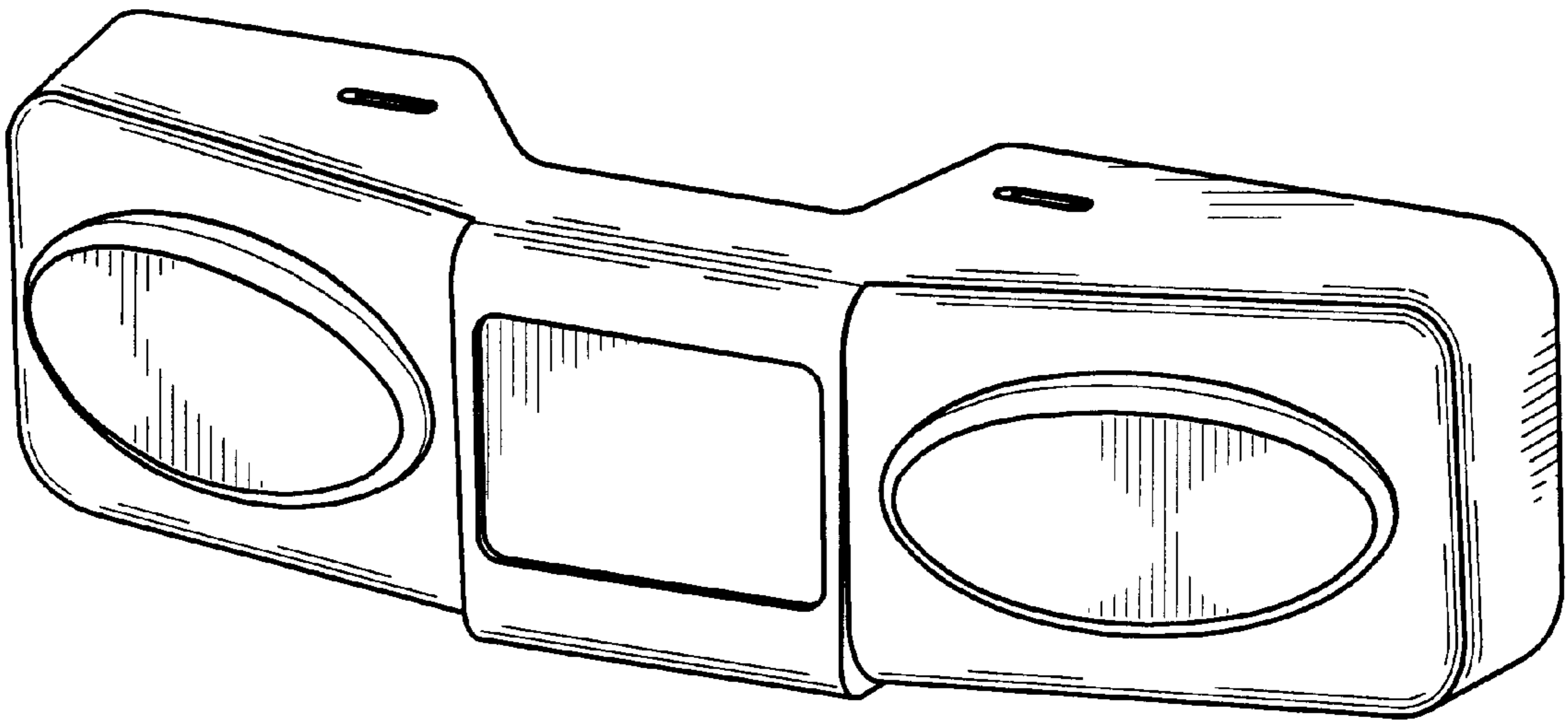


Fig. 9

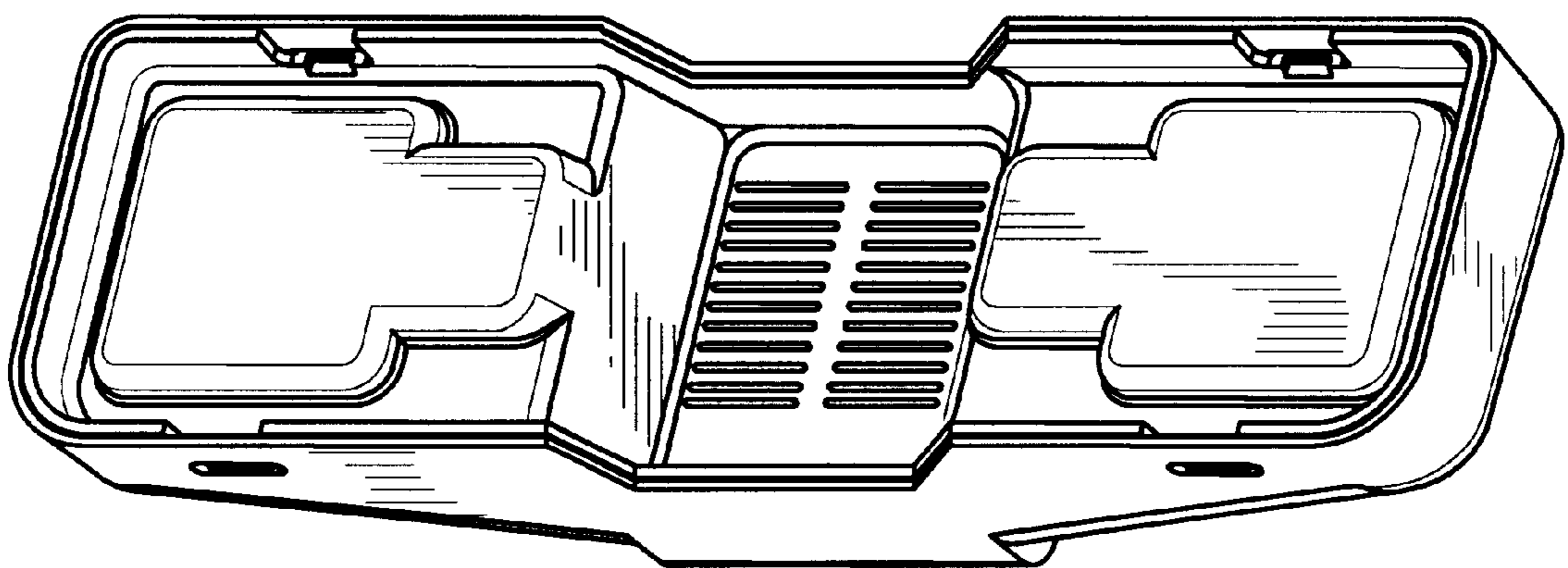


Fig. 10

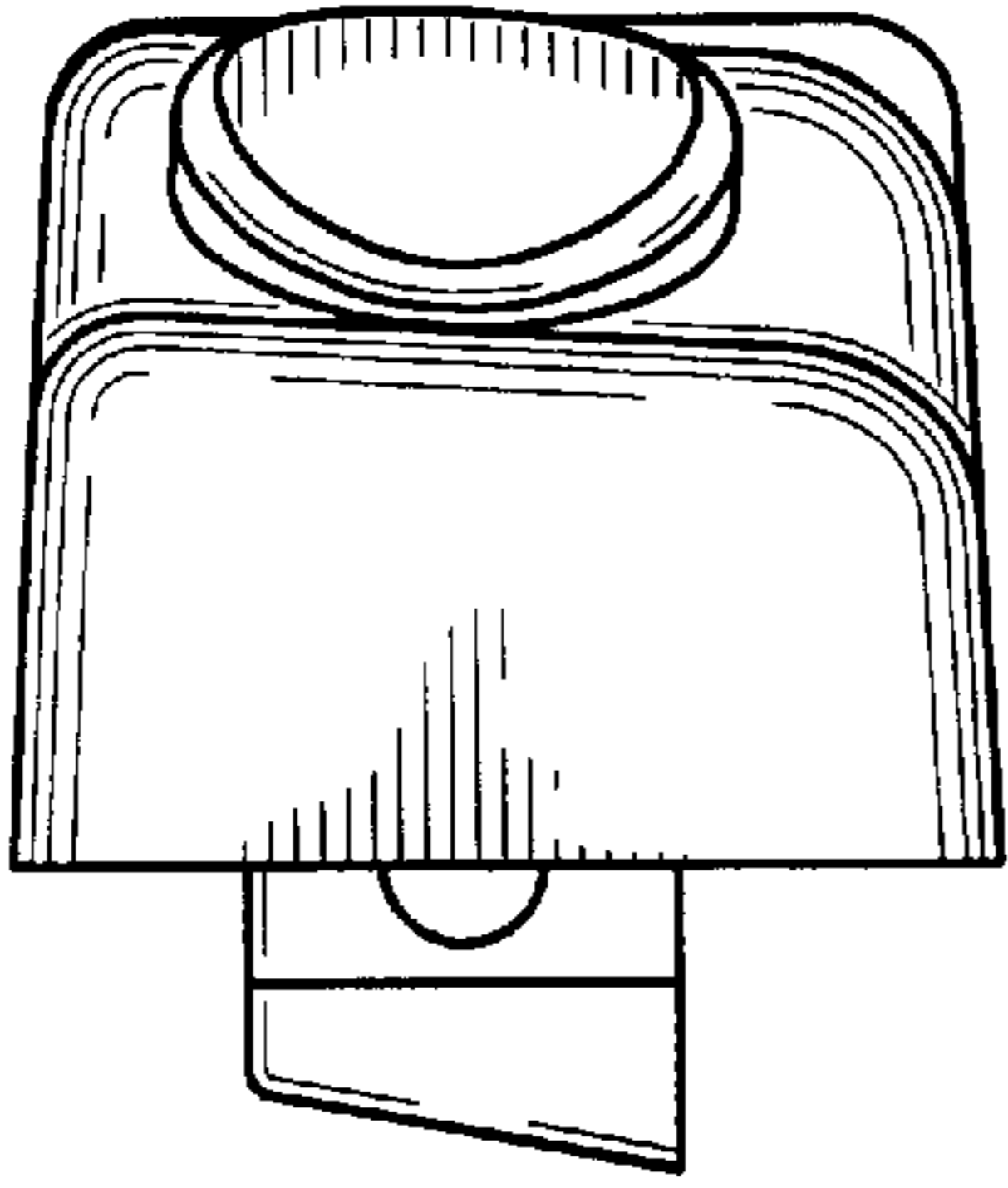


Fig. 14

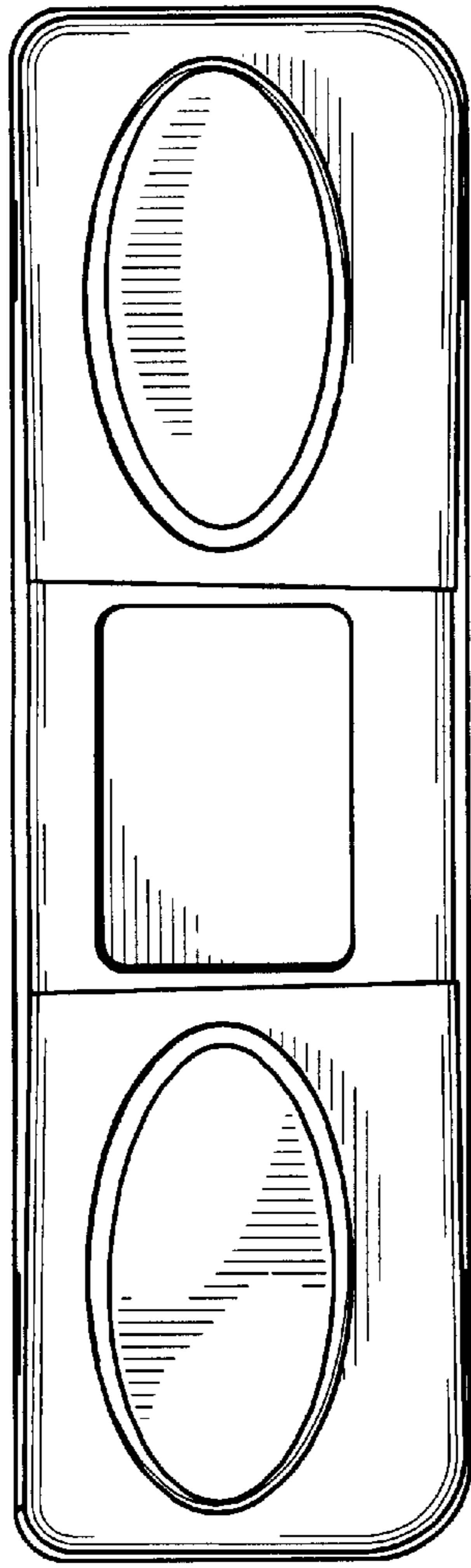


Fig. 11

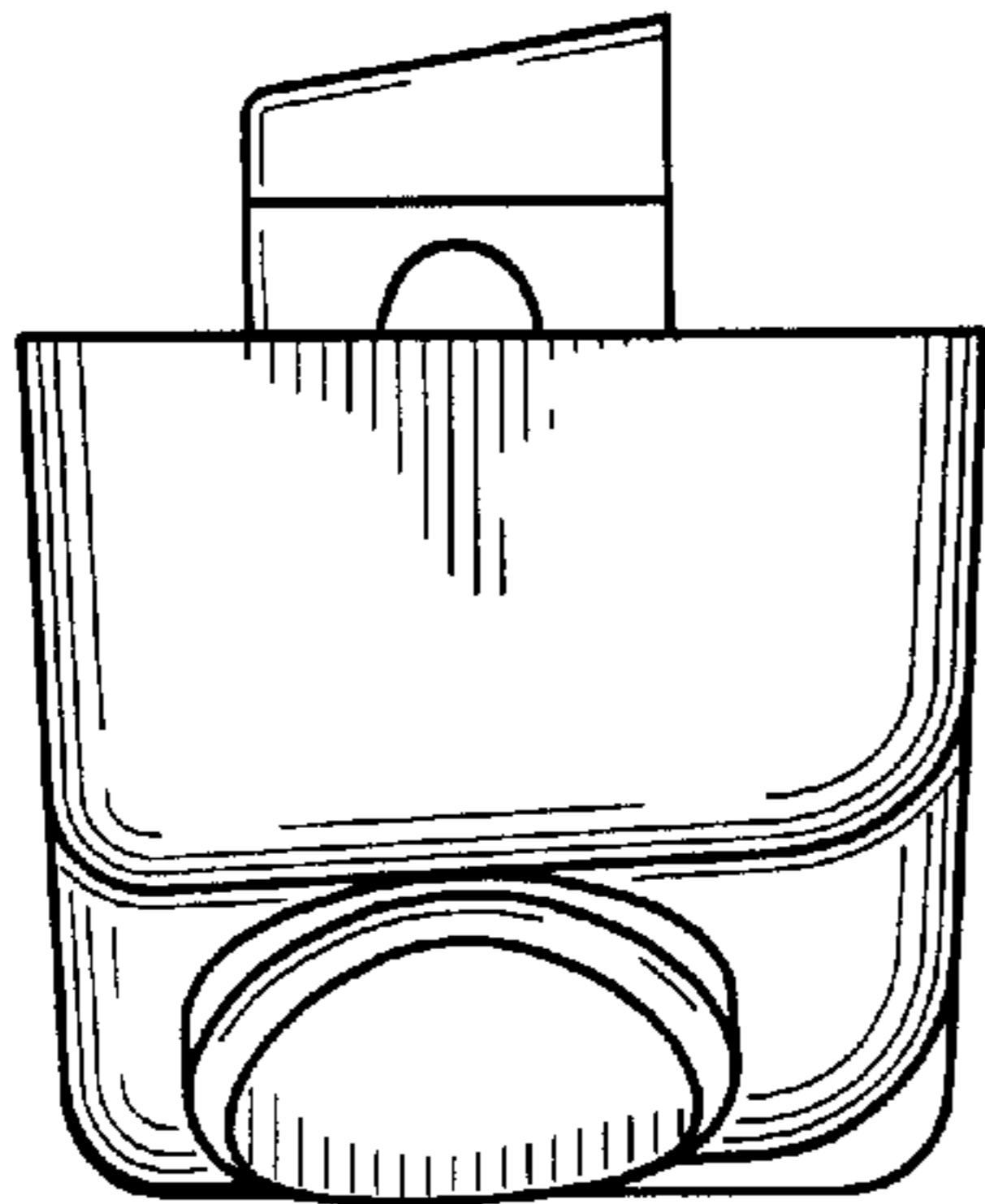


Fig. 13

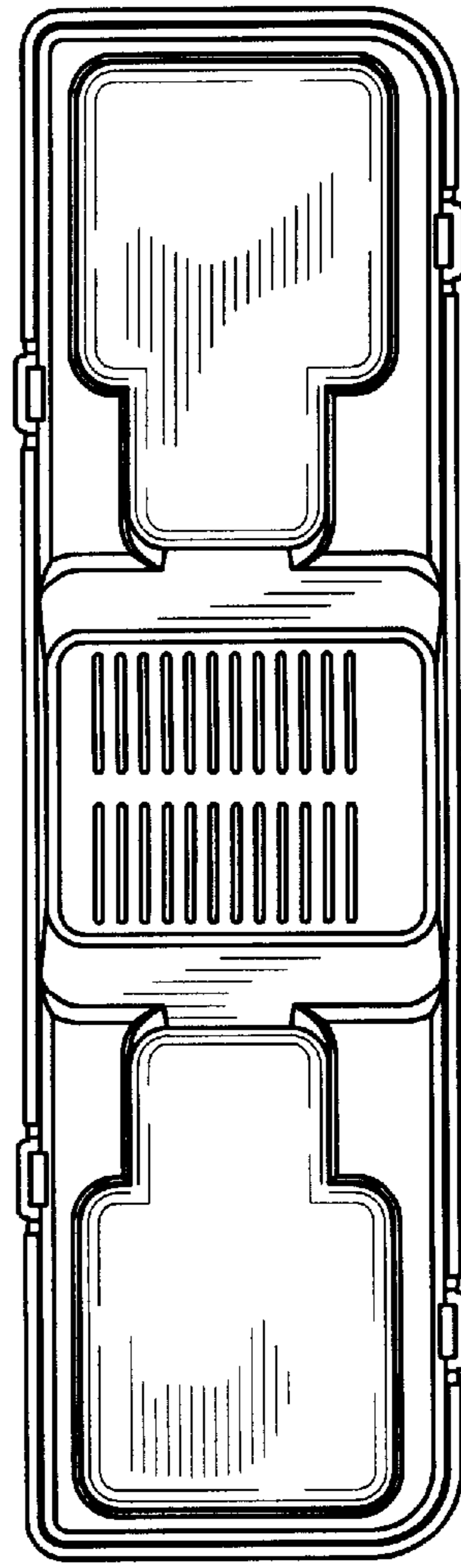


Fig. 12

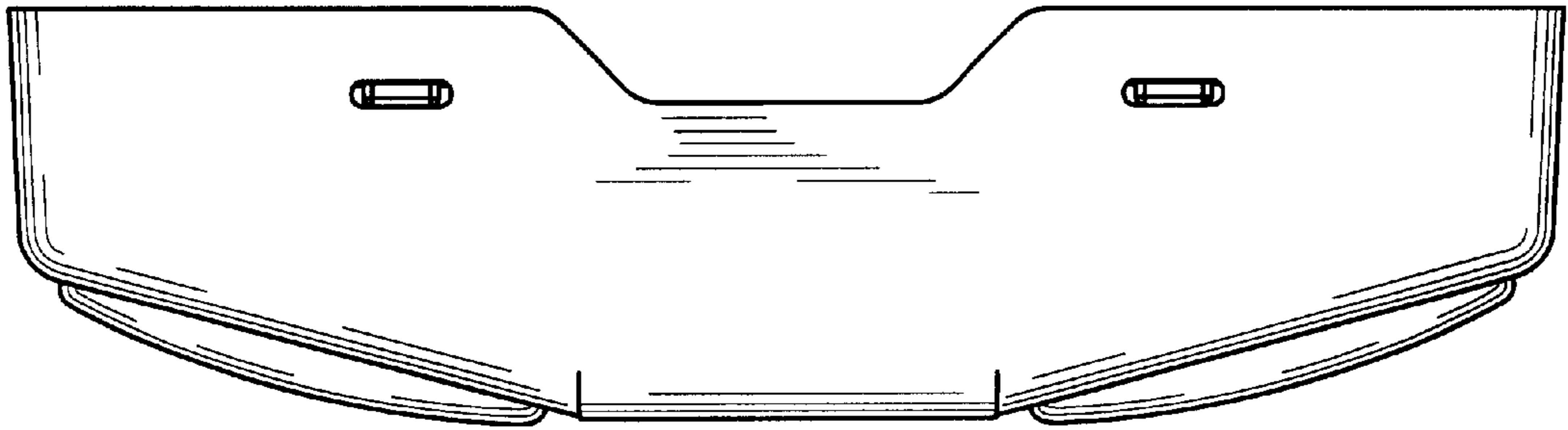


Fig. 15

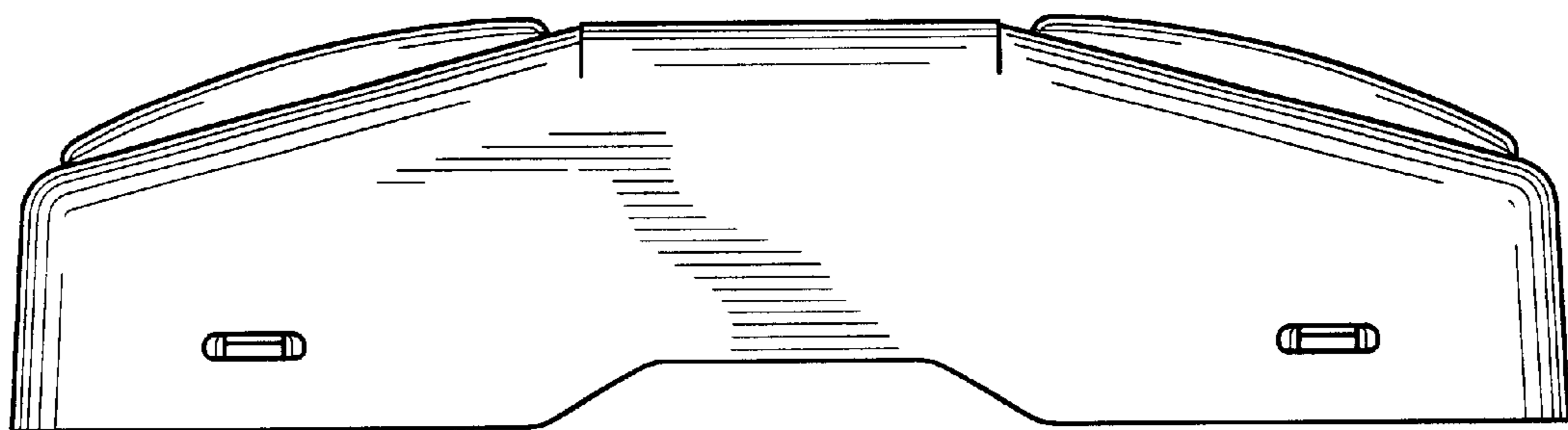


Fig. 16

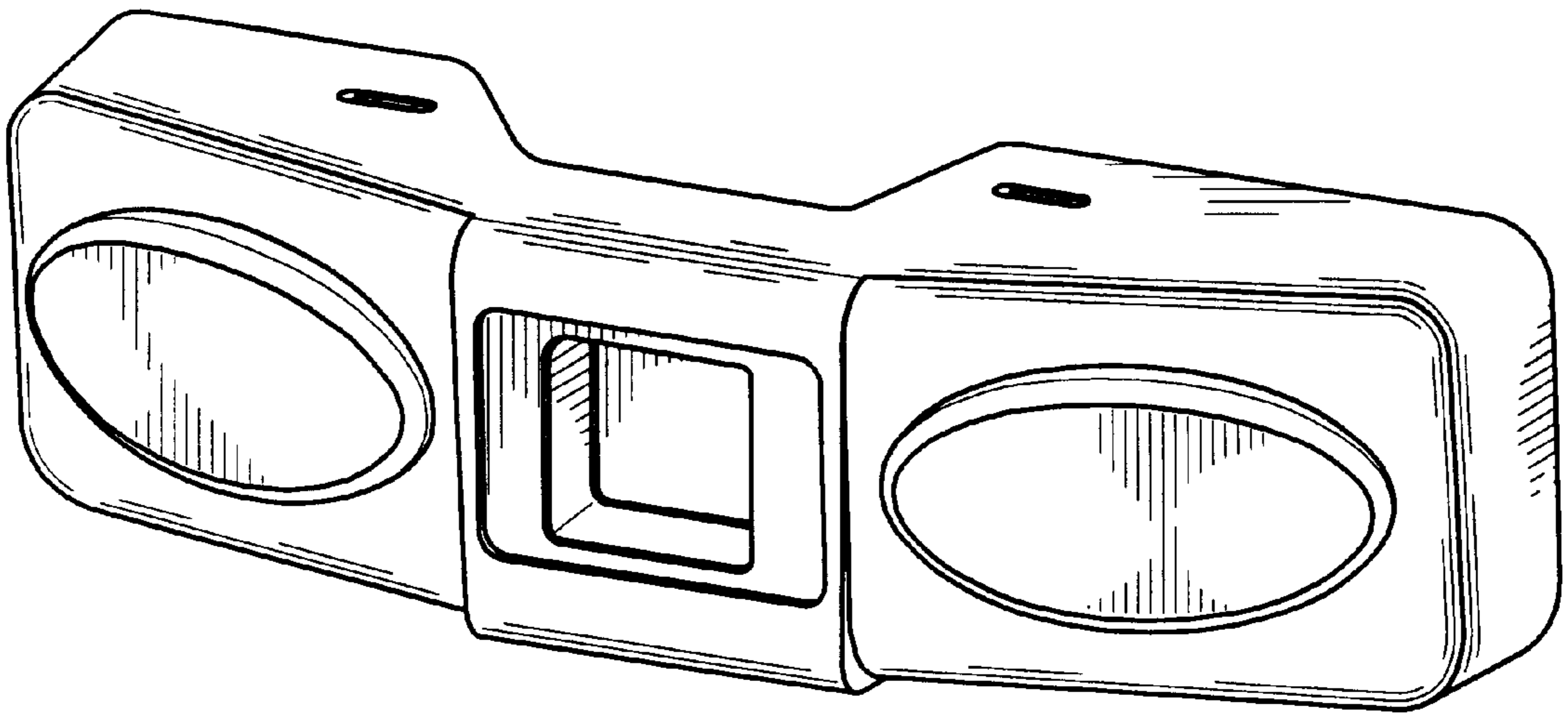


Fig. 17

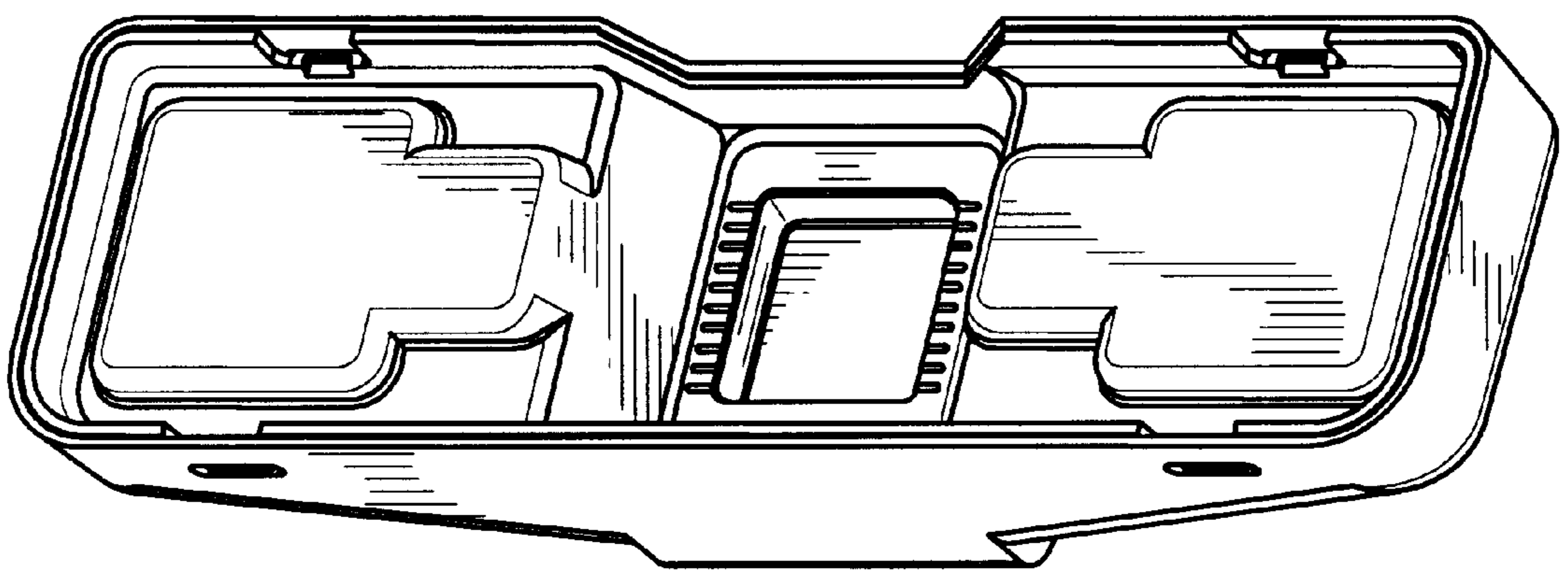


Fig. 18

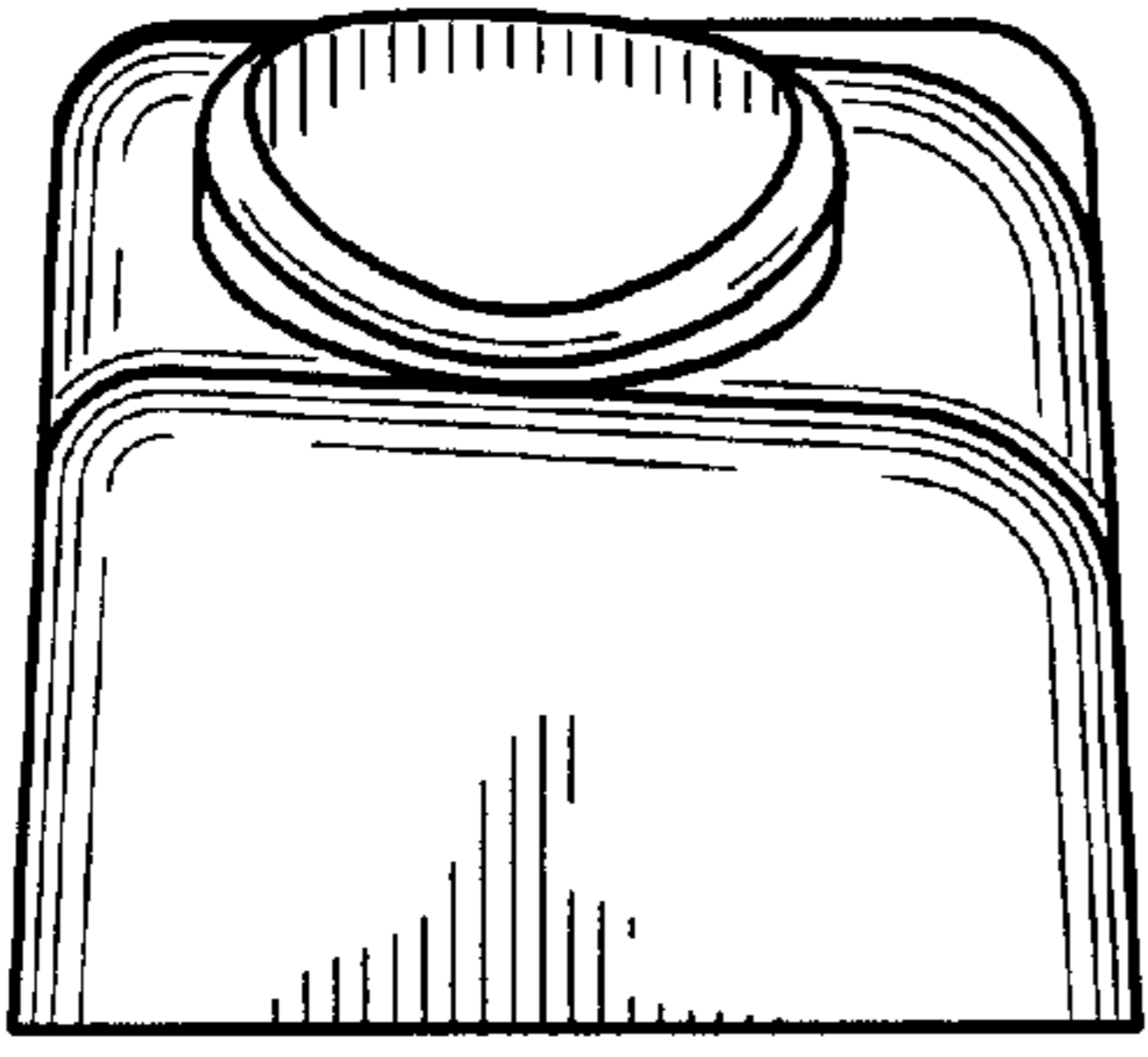


Fig. 22

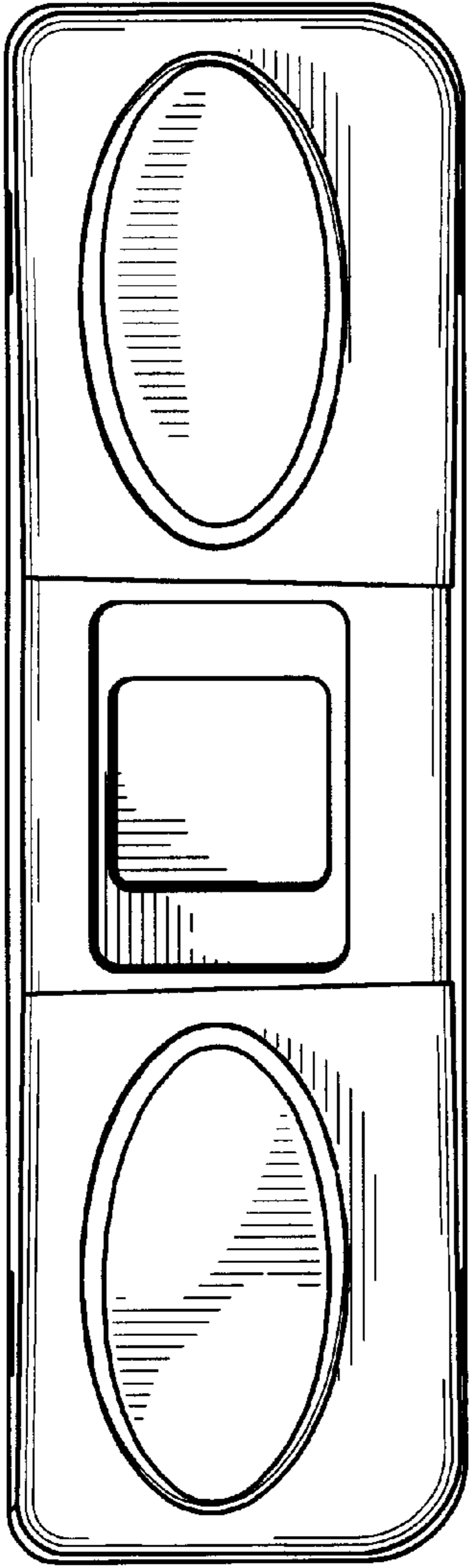


Fig. 19

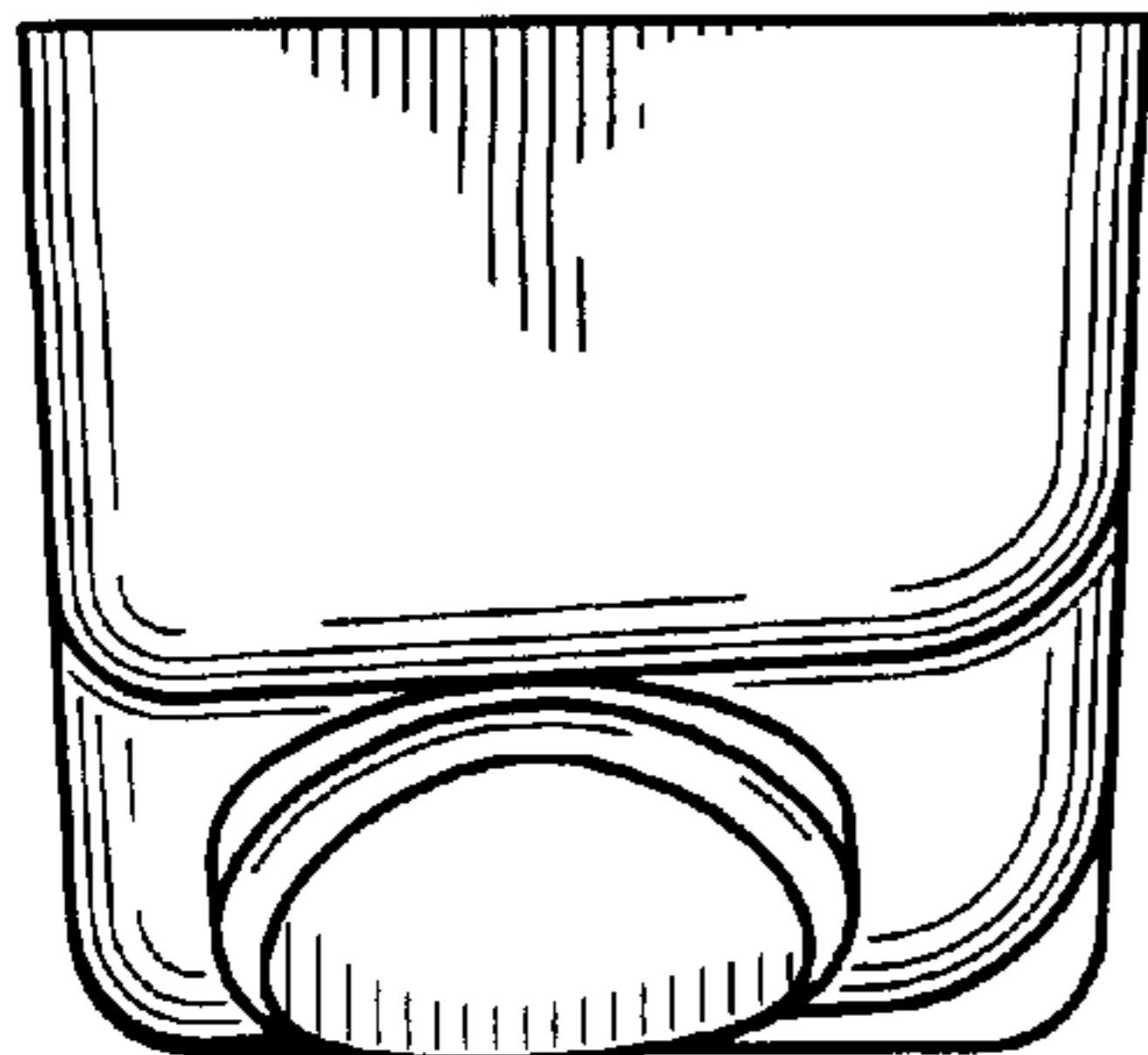


Fig. 21

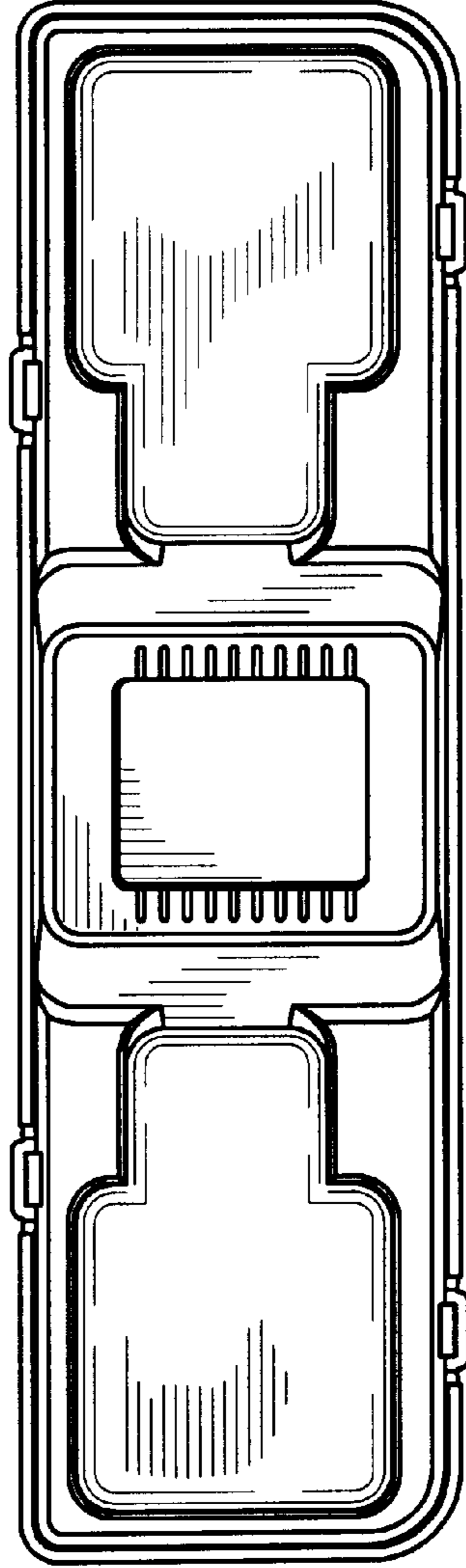


Fig. 20

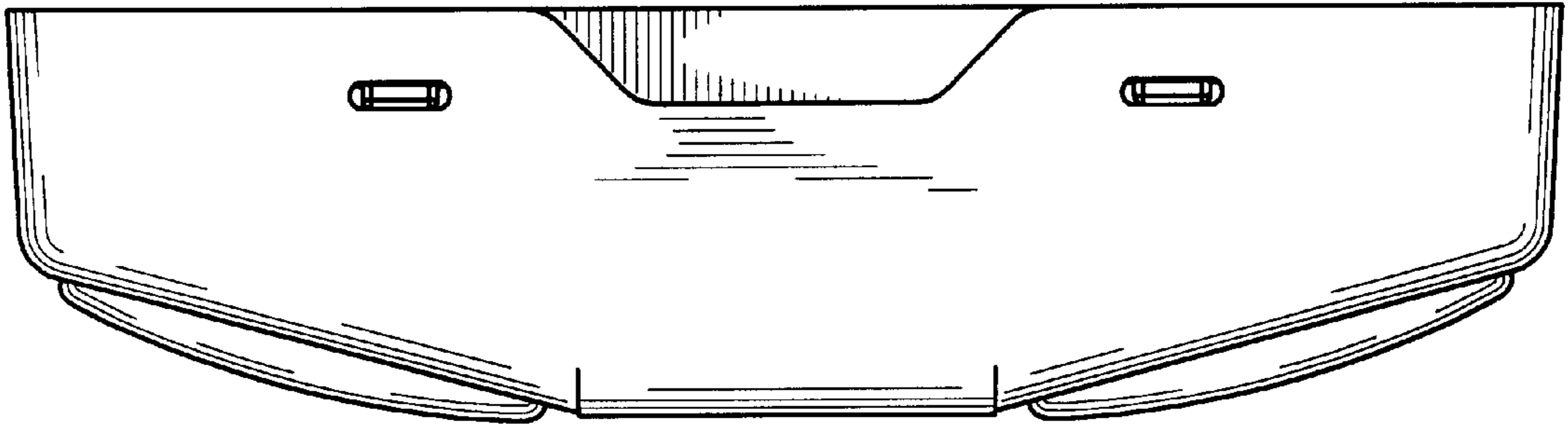


Fig. 23

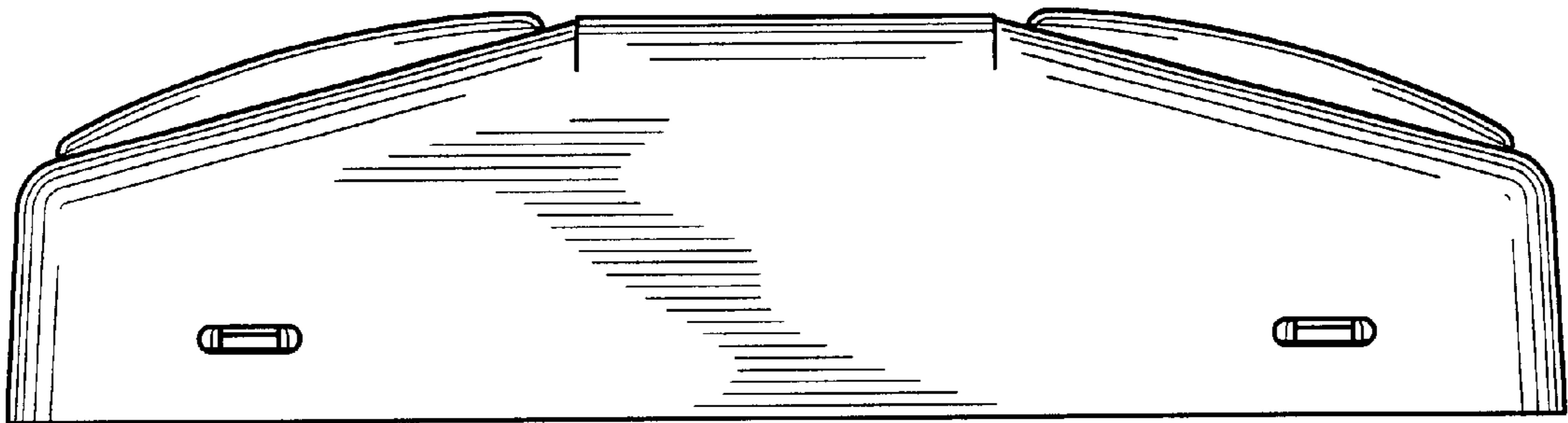


Fig. 24