



US00D437430S

(12) **United States Design Patent**
Moore

(10) **Patent No.:** **US D437,430 S**

(45) **Date of Patent:** **** Feb. 6, 2001**

(54) **VEHICLE CLEARANCE LAMP**

(76) Inventor: **Dennis G. Moore**, 2602 Superior,
Livermore, Alameda County, CA (US)
94550

(**) Term: **14 Years**

(21) Appl. No.: **29/124,363**

(22) Filed: **Jun. 5, 2000**

Related U.S. Application Data

(62) Division of application No. 29/094,222, filed on Sep. 28,
1998.

(51) **LOC (7) Cl.** **26-06**

(52) **U.S. Cl.** **D26/28**

(58) **Field of Search** D26/28-36; 362/459,
362/485, 487, 493, 496, 498, 499, 502,
512, 516, 520, 540, 541, 543, 546, 549;
340/463, 464, 468, 470, 471, 472

(56) **References Cited**

U.S. PATENT DOCUMENTS

D. 347,903 * 6/1994 Paffrath D26/35
2,184,208 * 12/1939 Brown et al. 362/485

* cited by examiner

Primary Examiner—Susan J. Lucas

(74) *Attorney, Agent, or Firm*—August E. Roehrig, Jr.;
Hancock & Estabrook, LLP

(57) **CLAIM**

The ornamental design for a vehicle clearance lamp, as
shown and described.

DESCRIPTION

FIG. 1 is a front perspective view of the vehicle clearance
lamp of my invention;

FIG. 2 is a rear plan view of the vehicle clearance lamp
illustrated in FIG. 1;

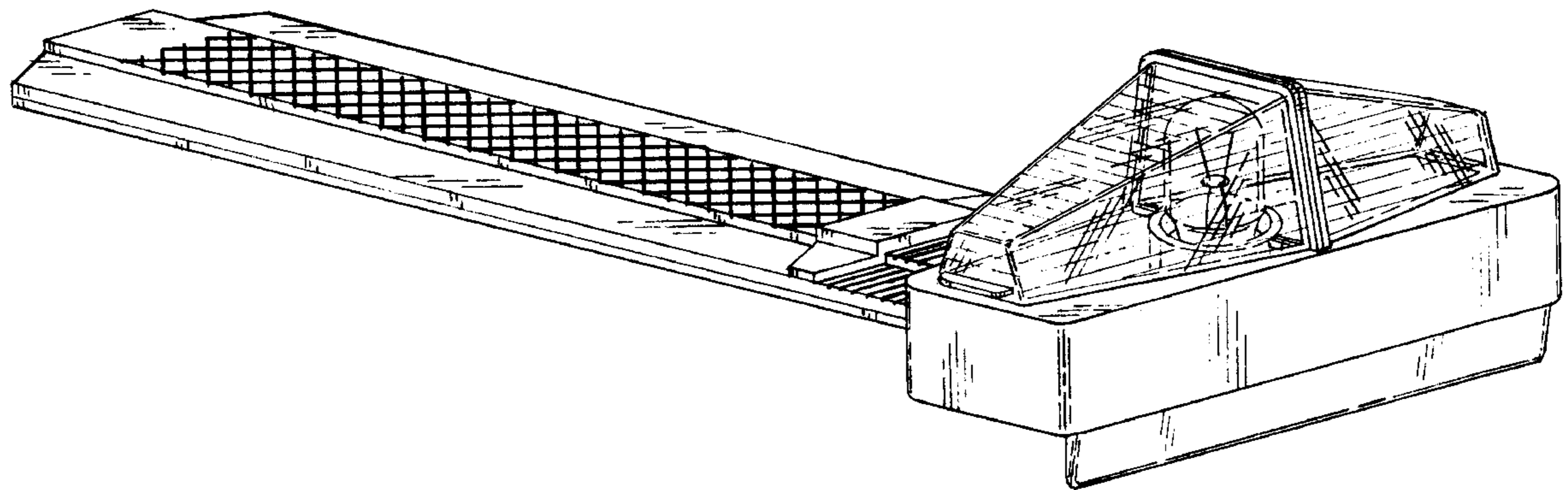
FIG. 3 is a front plan view of the vehicle clearance lamp
illustrated in FIG. 1;

FIG. 4 is an end elevational view of the left side of the
vehicle clearance lamp illustrated in FIG. 1, the end eleva-
tional view of the right side being a mirror image thereof;

FIG. 5 is a top elevational view of the vehicle clearance lamp
illustrated in FIG. 1; and,

FIG. 6 is a bottom plan view of the vehicle clearance lamp
illustrated in FIG. 1.

1 Claim, 3 Drawing Sheets



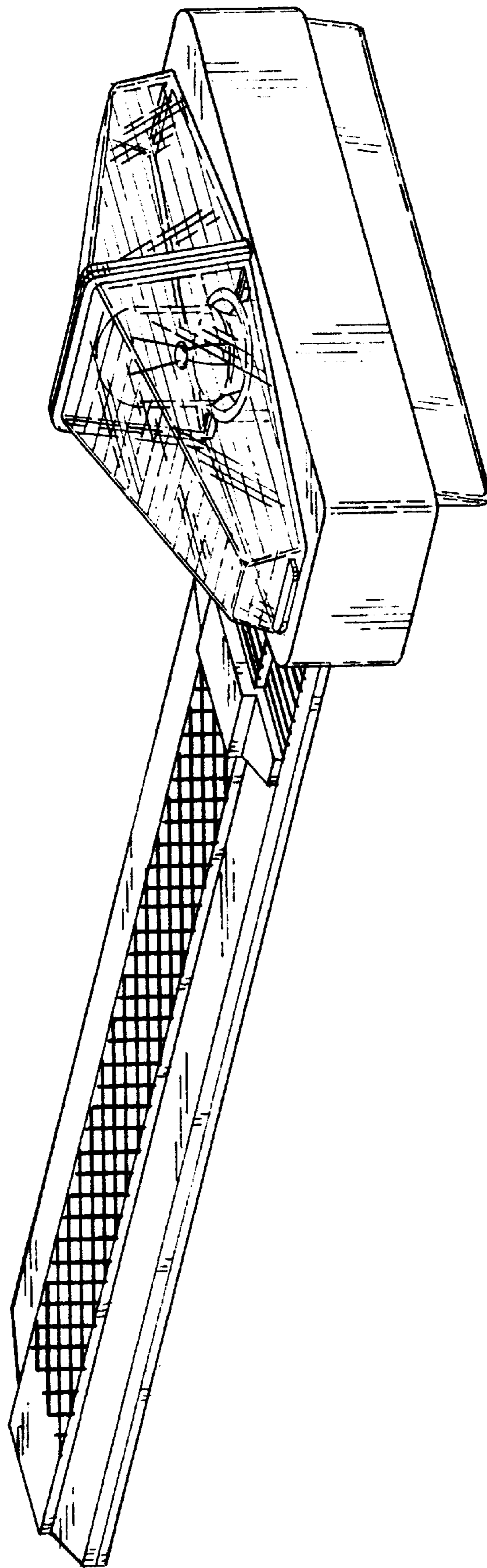


FIG. 1

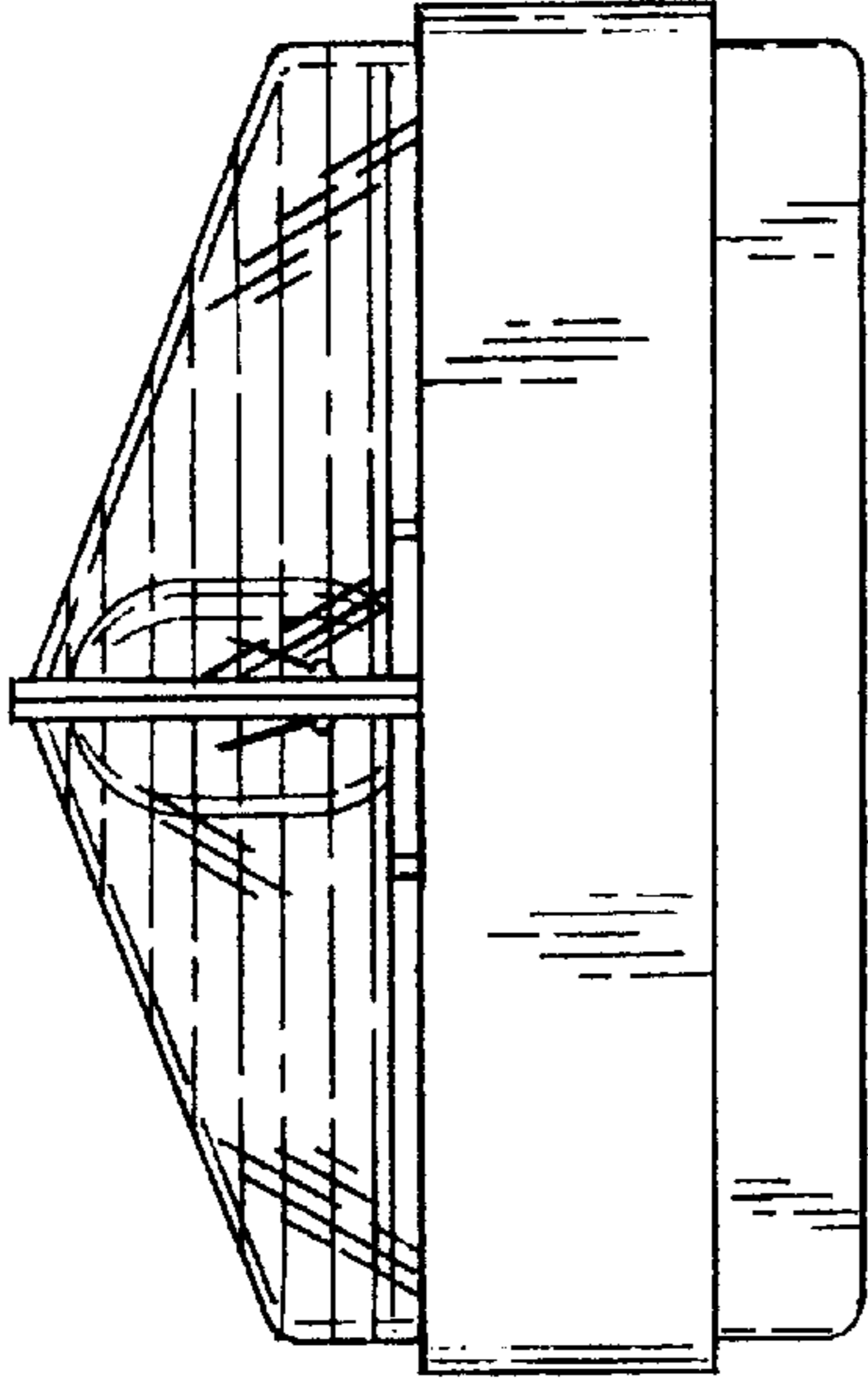


FIG. 3

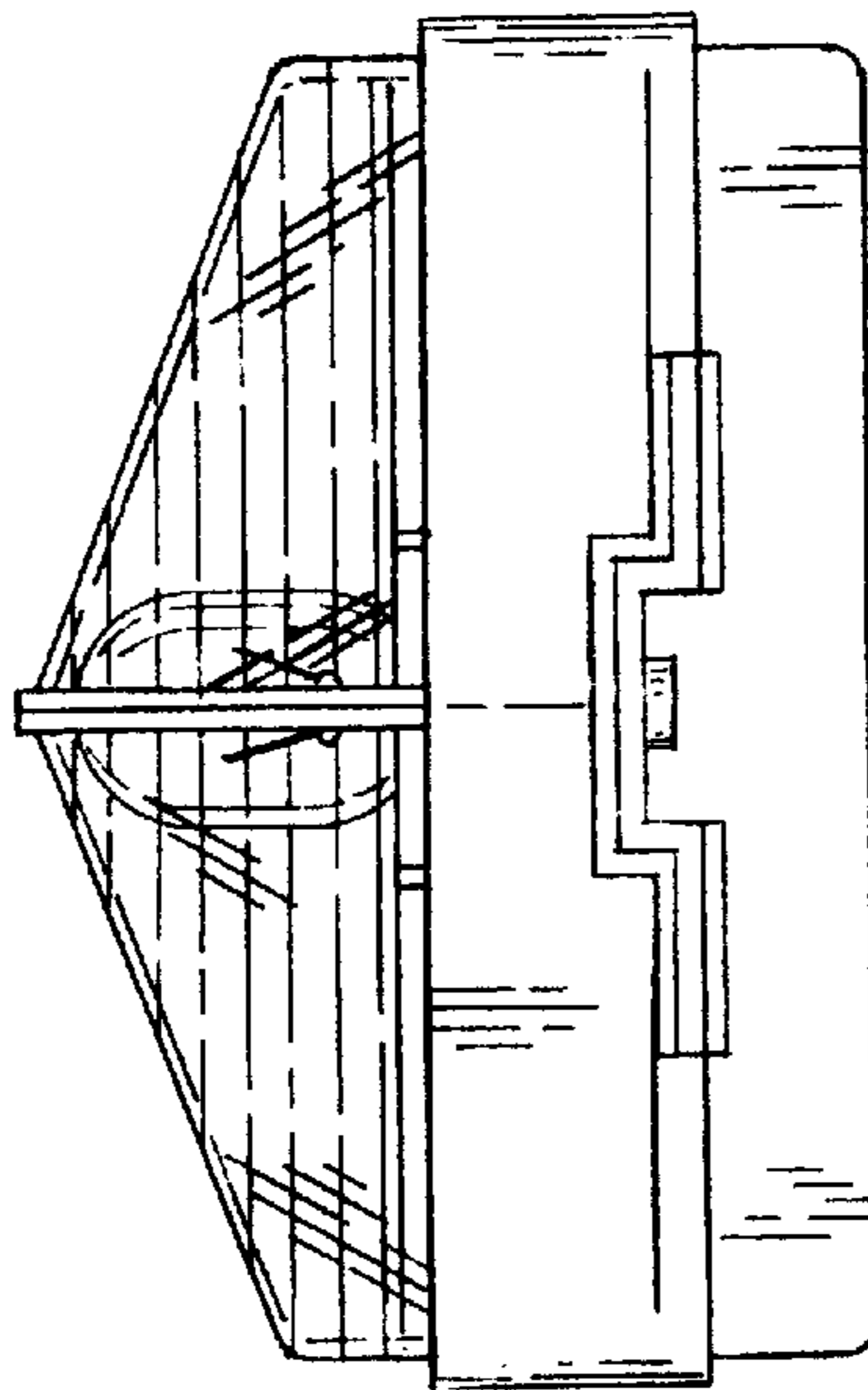


FIG. 2

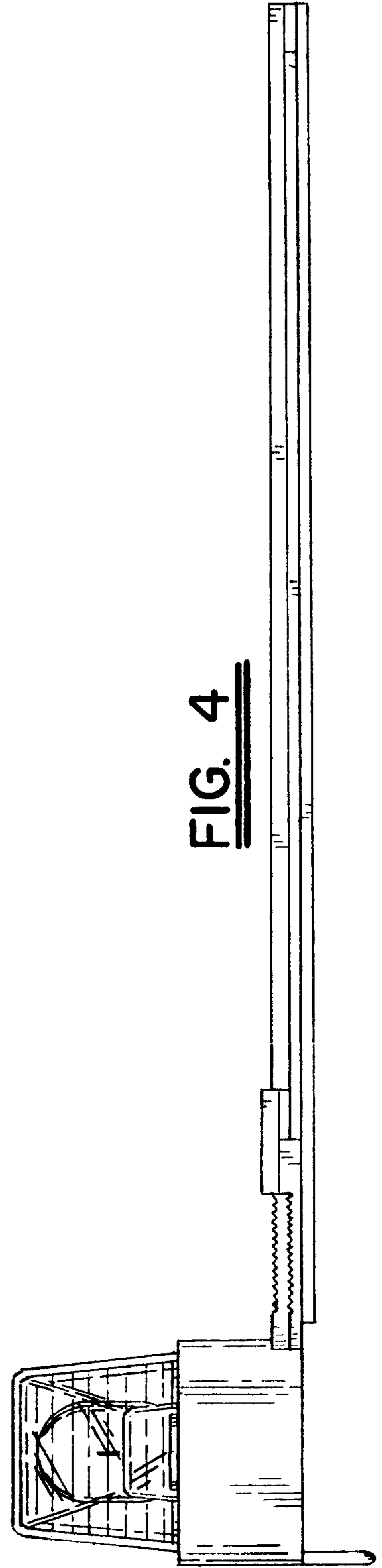


FIG. 4

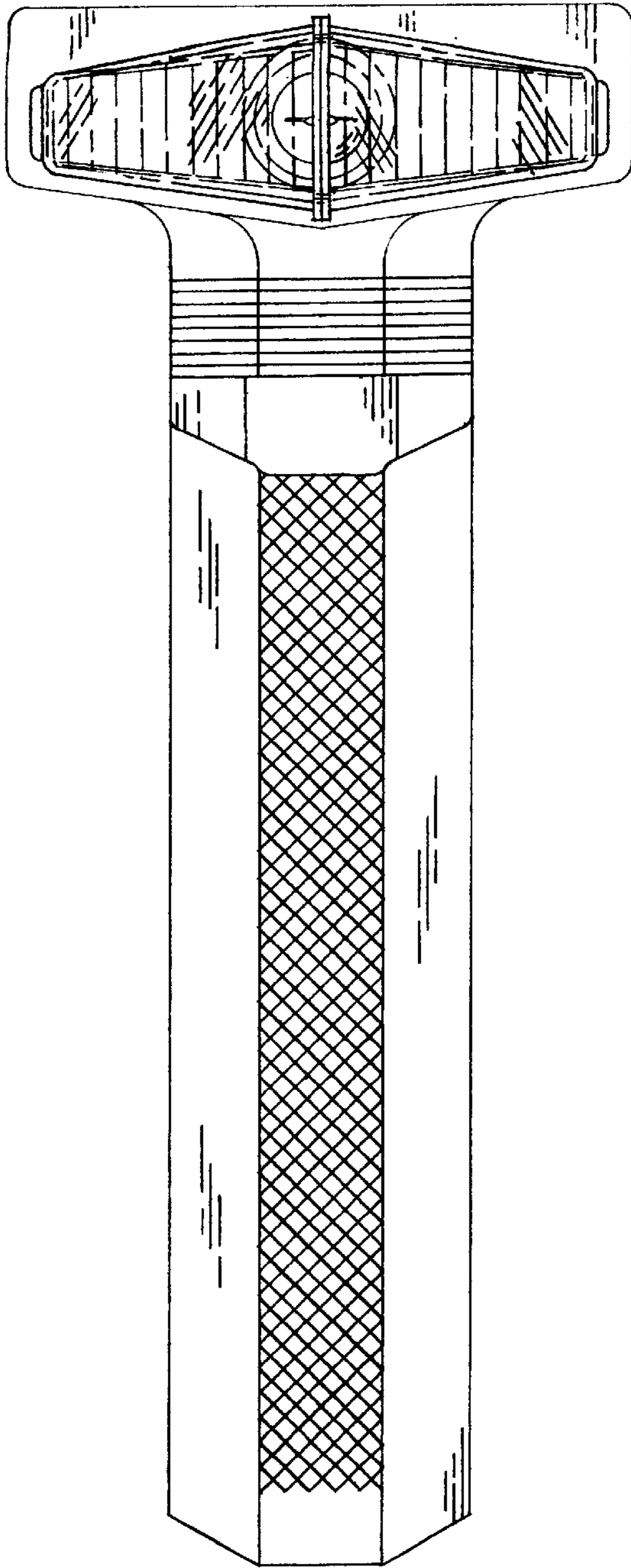


FIG. 5

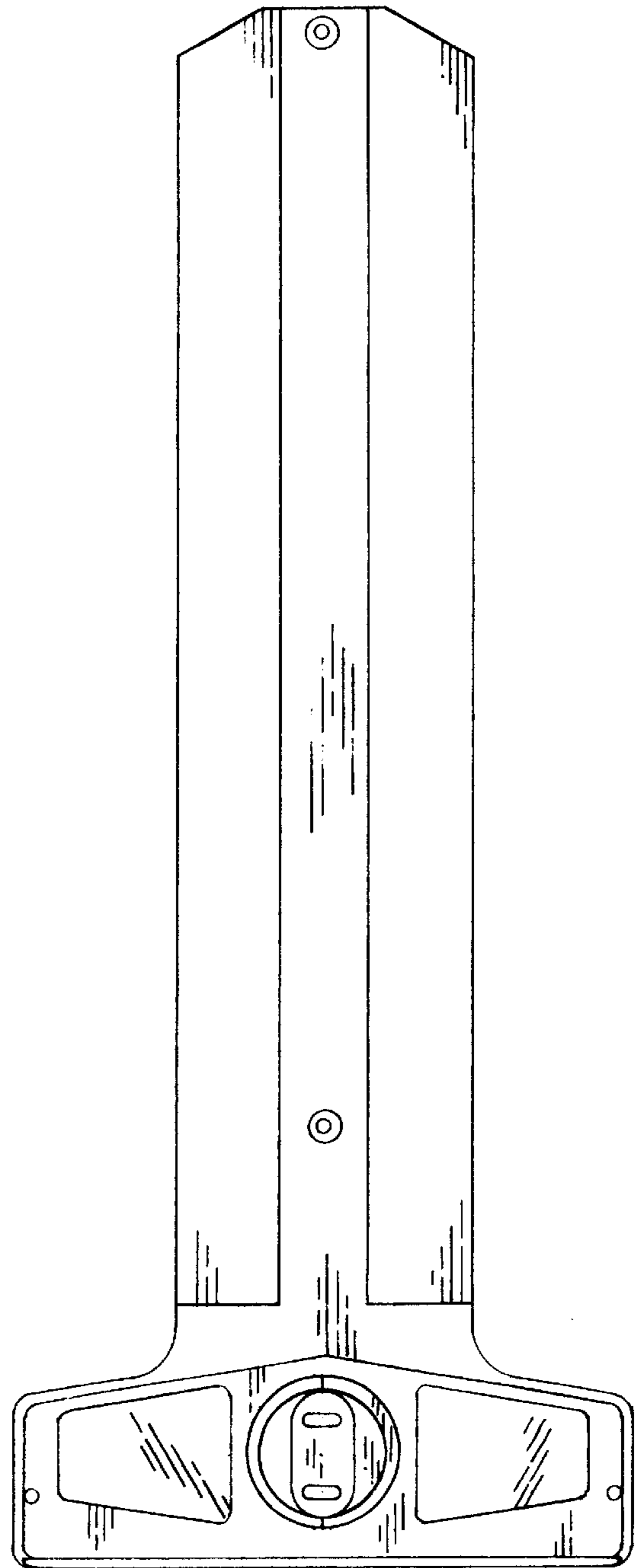


FIG. 6