



US00D437428S

(12) **United States Design Patent**
McMahon

(10) **Patent No.:** **US D437,428 S**

(45) **Date of Patent:** **** Feb. 6, 2001**

(54) **DUAL NOSE EXTENSION JAMB**

DESCRIPTION

(75) Inventor: **Neal F. McMahon**, Roseville, MN (US)

(73) Assignee: **Andersen Corporation**, Bayport, MN (US)

(**) Term: **14 Years**

(21) Appl. No.: **29/119,790**

(22) Filed: **Mar. 8, 2000**

(51) **LOC (7) Cl.** **25-01**

(52) **U.S. Cl.** **D25/164**

(58) **Field of Search** D25/119, 121,
D25/122, 52, 164; 52/718.02, 718.01, 212,
204.54, 204.4, 656.4, 656.5, 656.2, 582.2,
584.1; 49/505, 459

(56) **References Cited**

U.S. PATENT DOCUMENTS

4,642,955	2/1987	Webb .
4,958,469	9/1990	Plummer .
5,485,708	1/1996	Johnson .
5,555,684	9/1996	Galowitz et al. .
5,822,931	10/1998	Galowitz et al. .

Primary Examiner—Doris Clark

(74) *Attorney, Agent, or Firm*—Merchant & Gould P.C.

(57) **CLAIM**

The ornamental design for dual nose extension jamb, as shown and described.

FIG. 1 is a top front isometric view of a first embodiment of the dual nose extension jamb of the invention.

FIG. 2 is a bottom front isometric perspective view thereof showing the thin veneer or laminate present on the bottom of the dual nose extension jamb.

FIG. 3 is an end view of the dual nose extension jamb thereof.

FIG. 4 is a top isometric view of a second embodiment of the dual nose extension jamb of the invention showing a different grain in the top part and a veneer or laminate with no apparent grain visible.

FIG. 5 is a bottom isometric view thereof.

FIG. 6 is an end view thereof.

FIG. 7 is a bottom isometric view of a third embodiment showing a linear grain in the thin veneer or laminate with a circular grain in the end.

FIG. 8 is a top front isometric view of a fourth embodiment of the dual nose extension jamb of the invention having a flat coplanar exterior and hidden surface.

FIG. 9 is a bottom front isometric view thereof showing the thin veneer or laminate present on the bottom of the dual nose extension jamb.

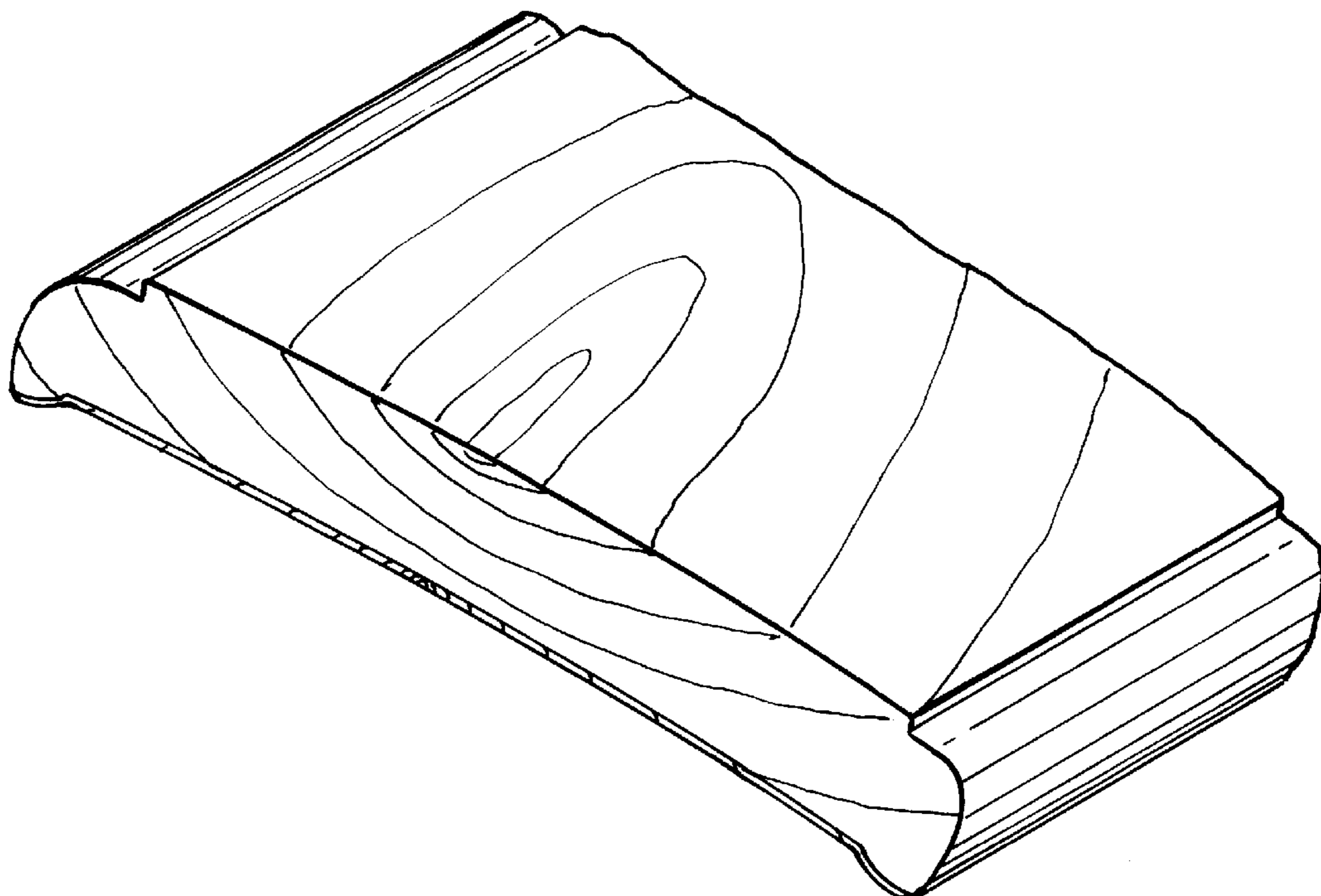
FIG. 10 is an end view of the dual nose extension jamb thereof.

FIG. 11 is a top isometric view of a fifth embodiment of the dual nose extension jamb of the invention showing a different grain in the top part and a veneer or laminate with no apparent grain visible.

FIG. 12 is a bottom isometric view thereof; and,

FIG. 13 is an end view thereof.

1 Claim, 5 Drawing Sheets



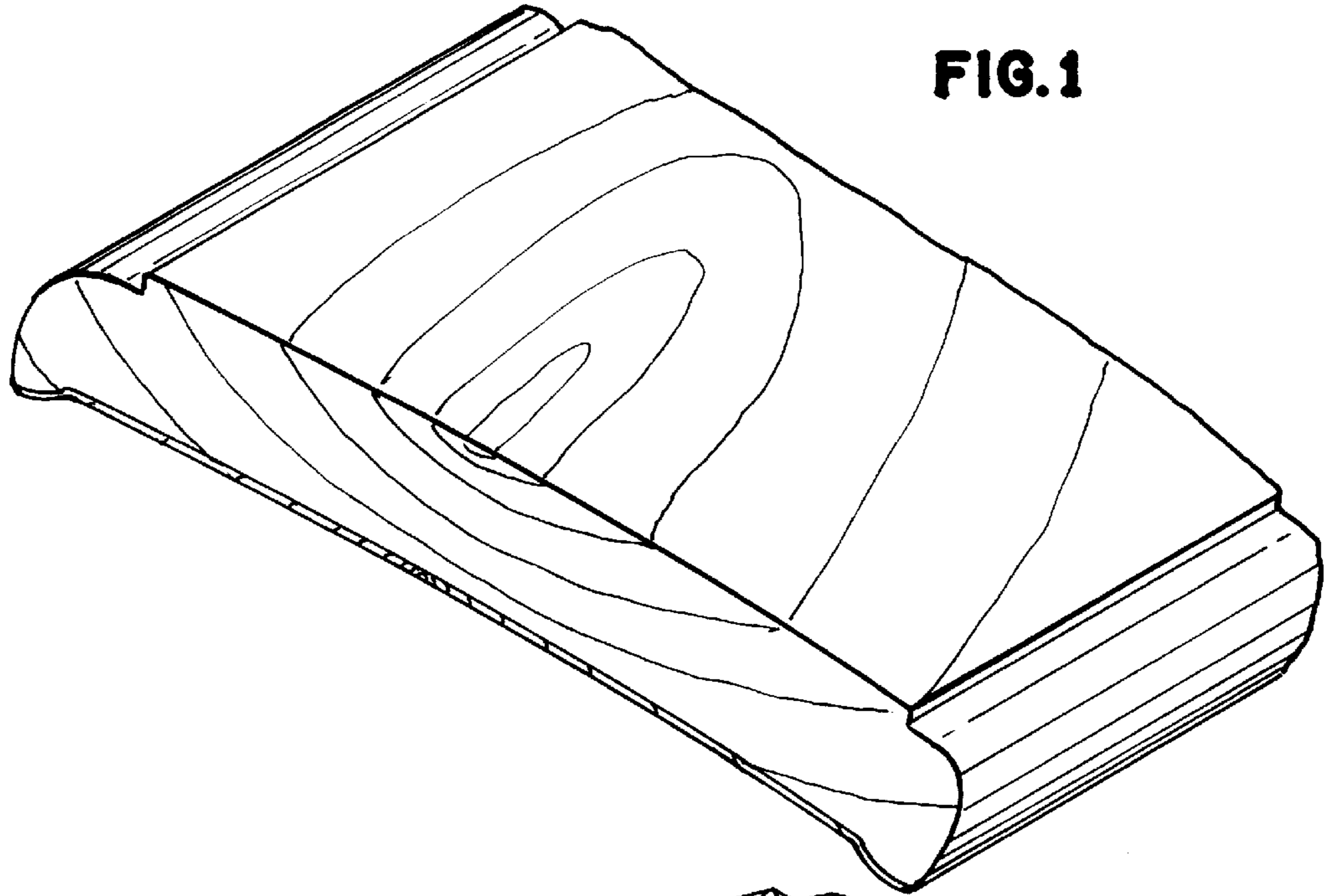


FIG. 1

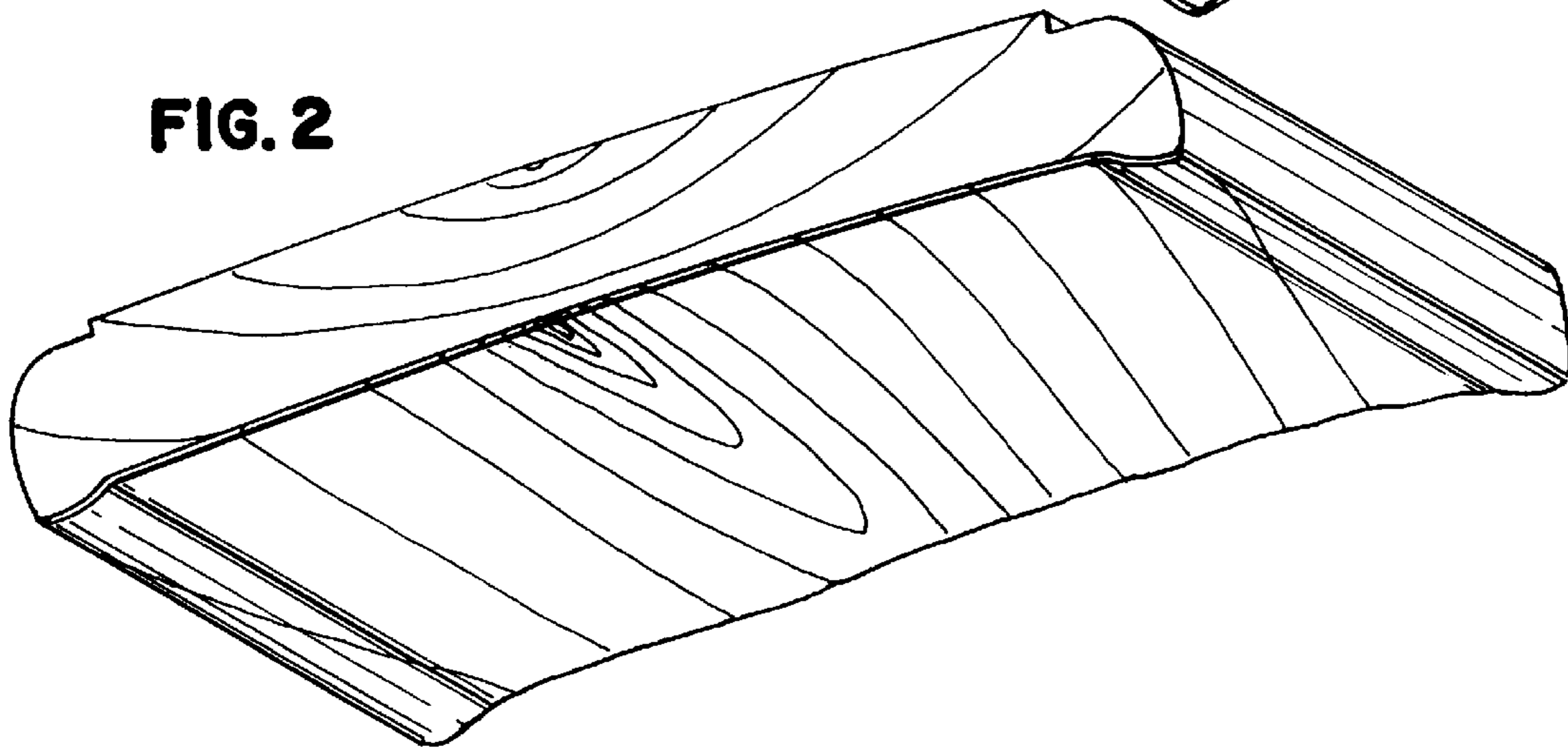


FIG. 2

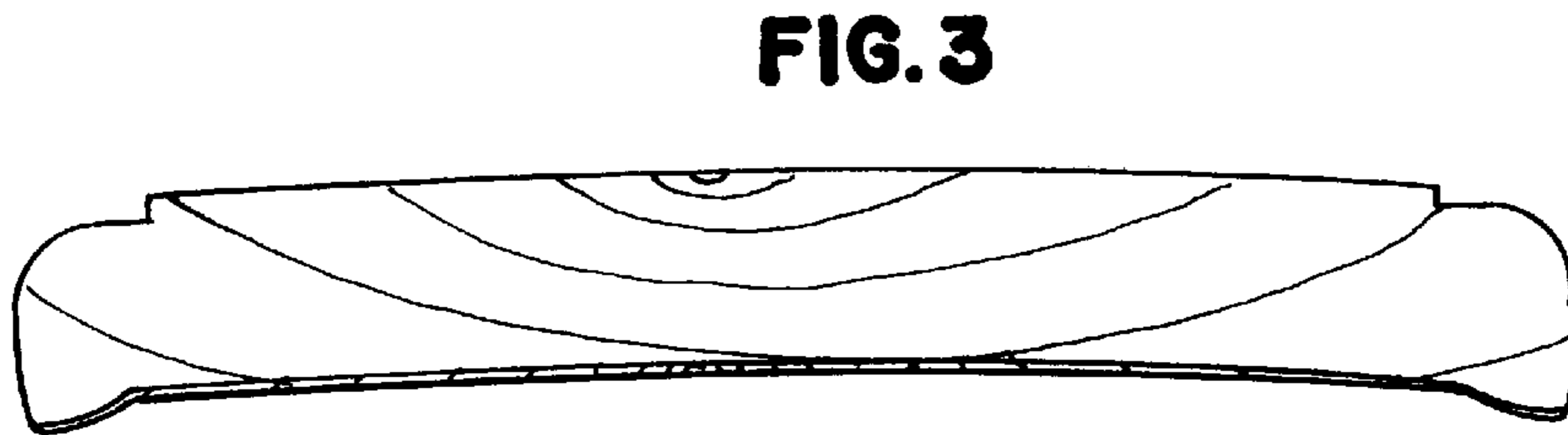


FIG. 3

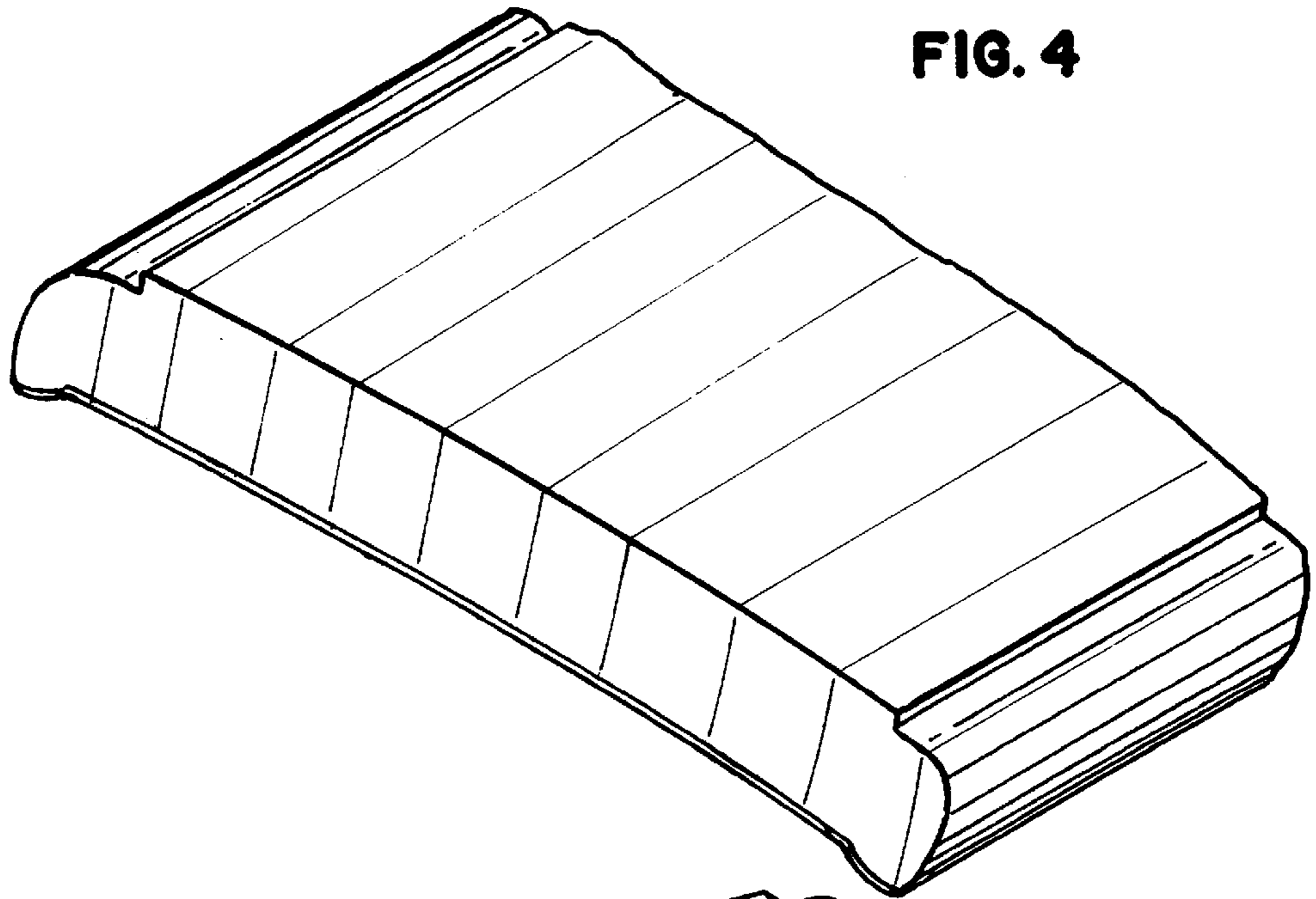


FIG. 4

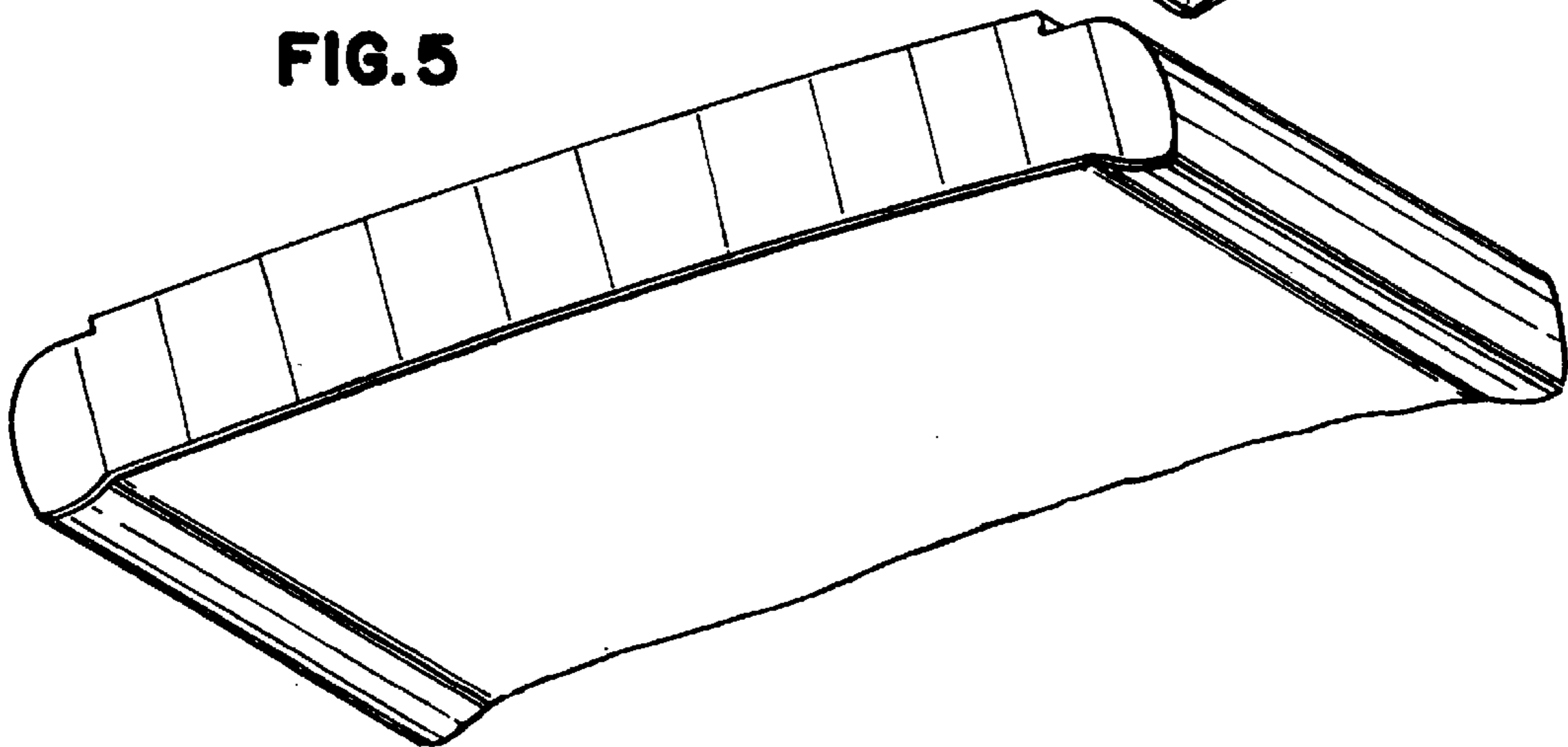


FIG. 5

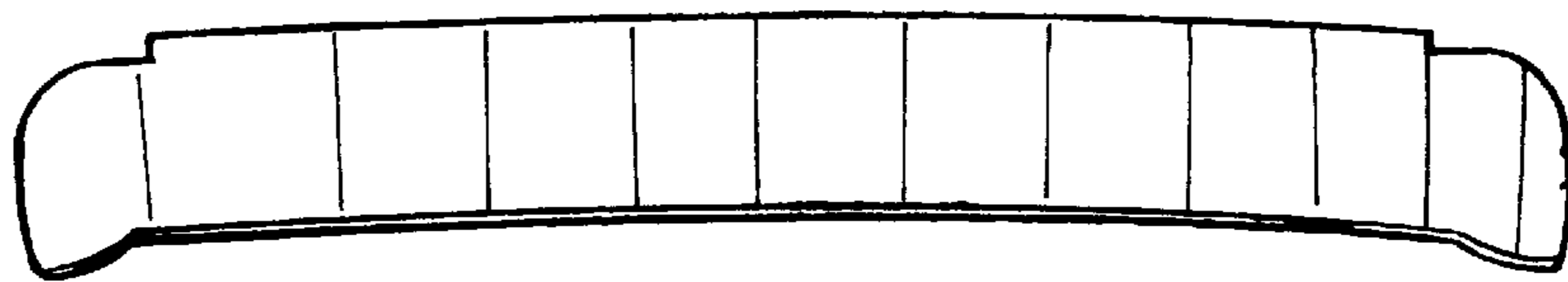
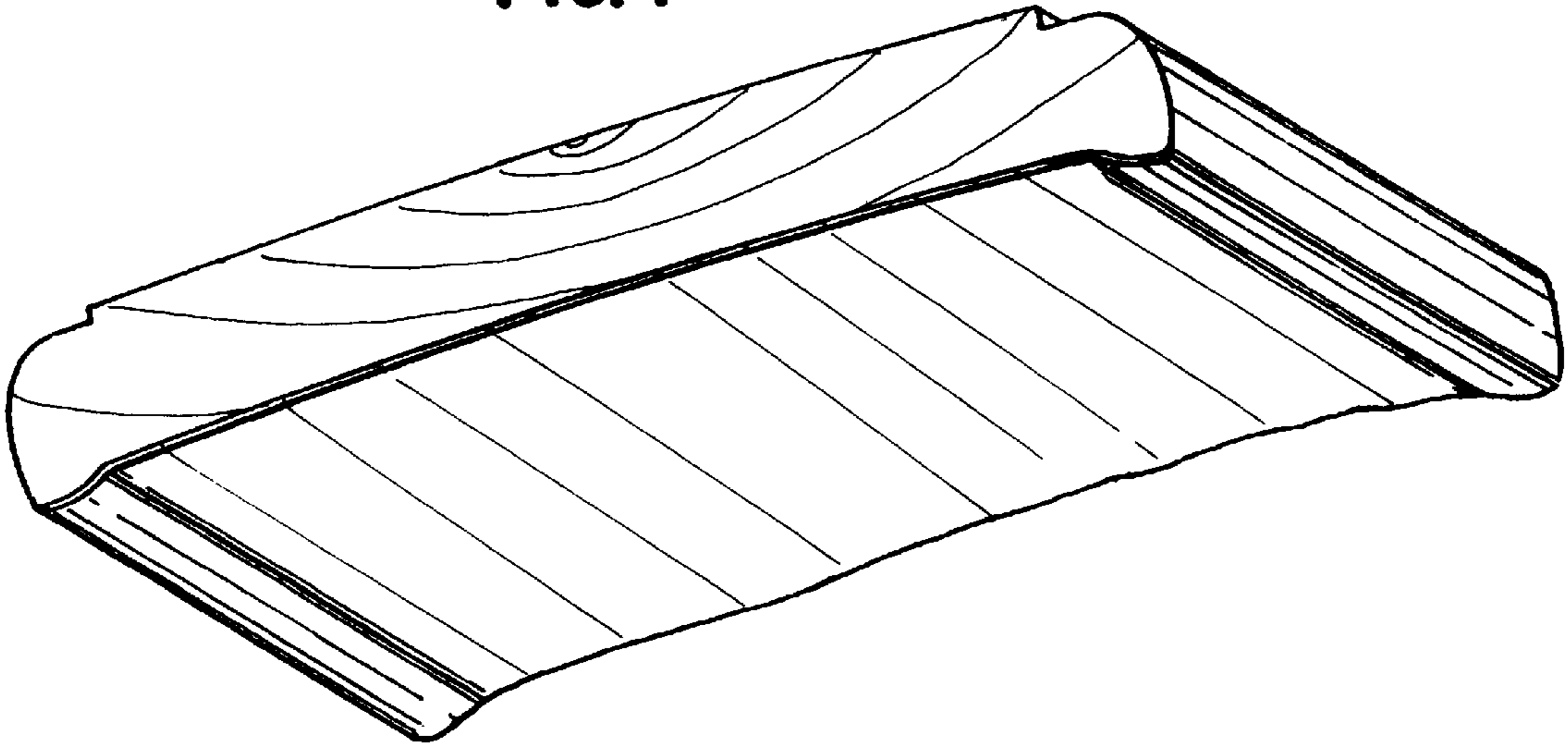


FIG. 6

FIG. 7



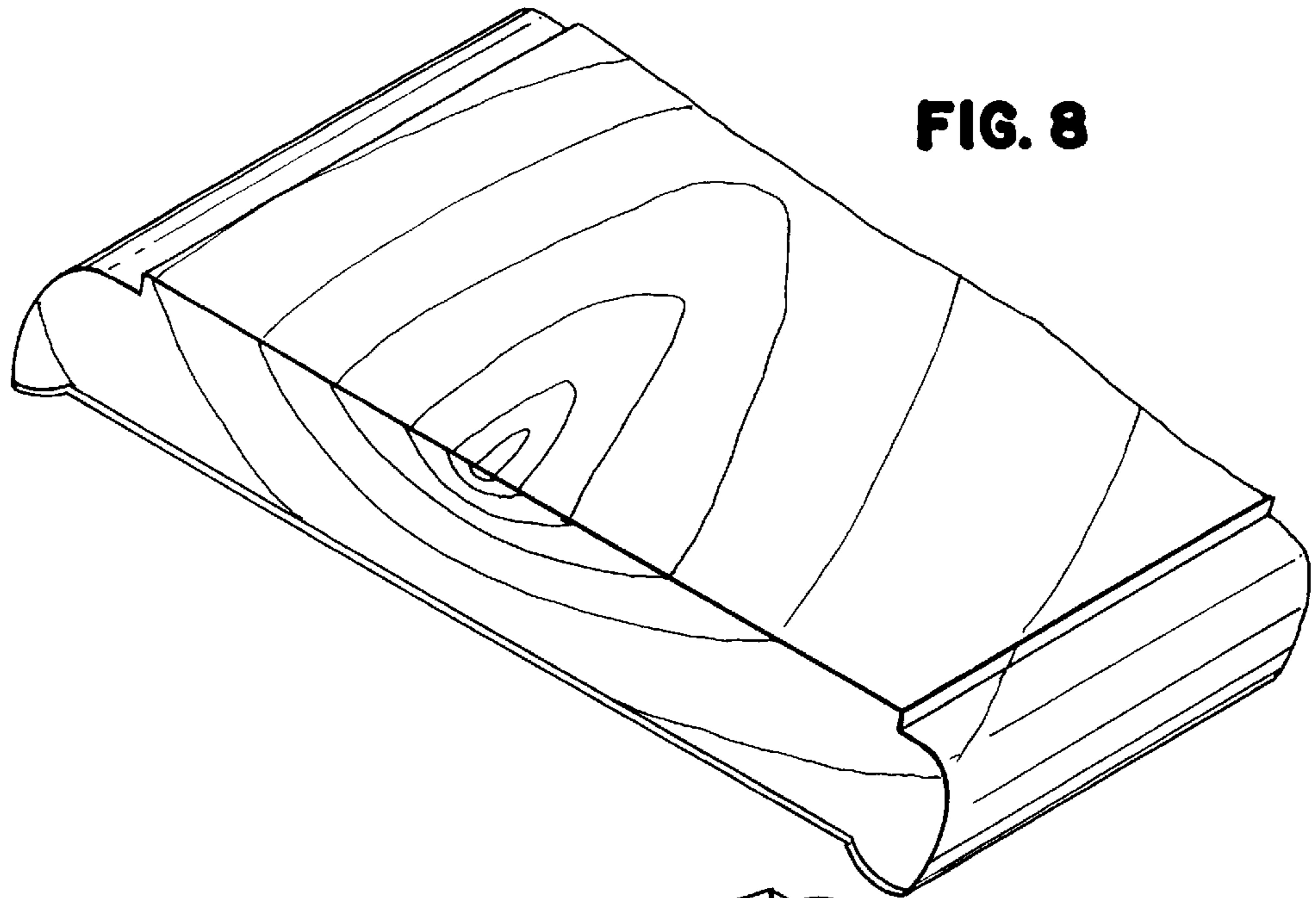


FIG. 8

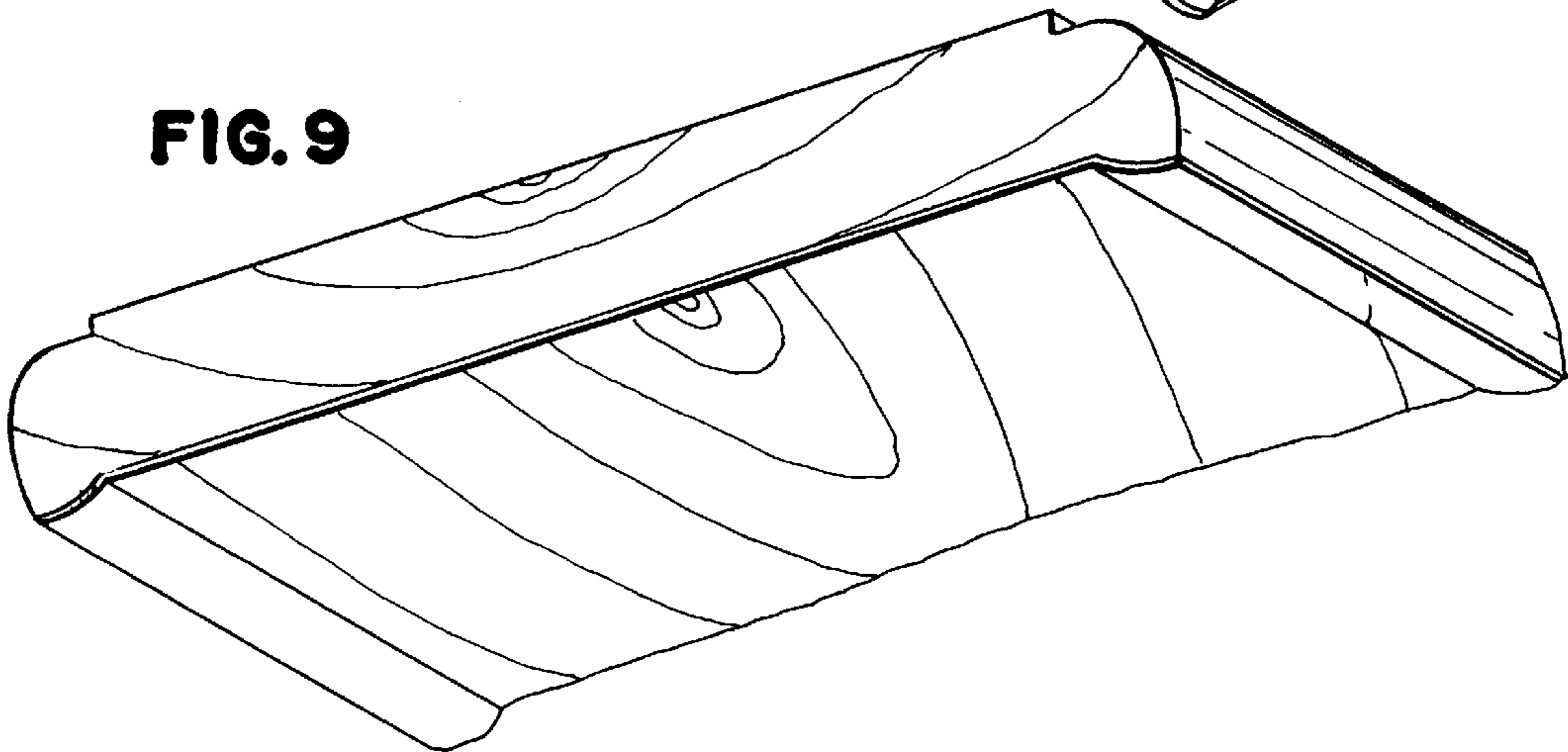


FIG. 9

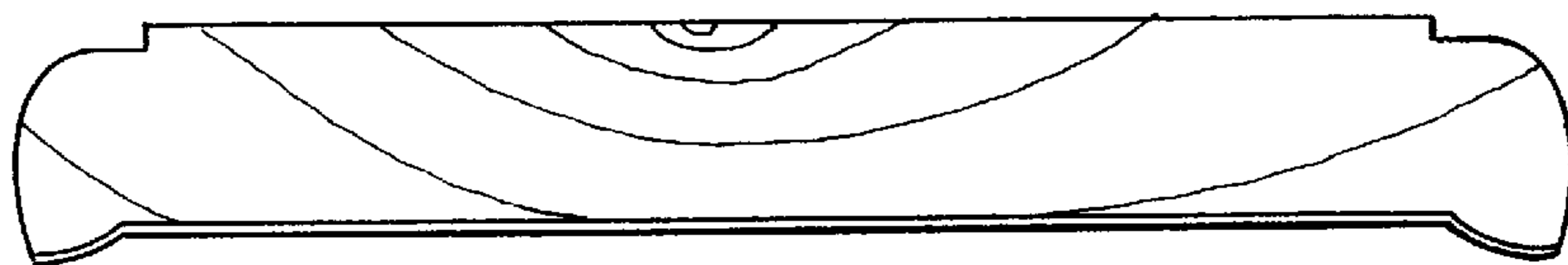


FIG. 10

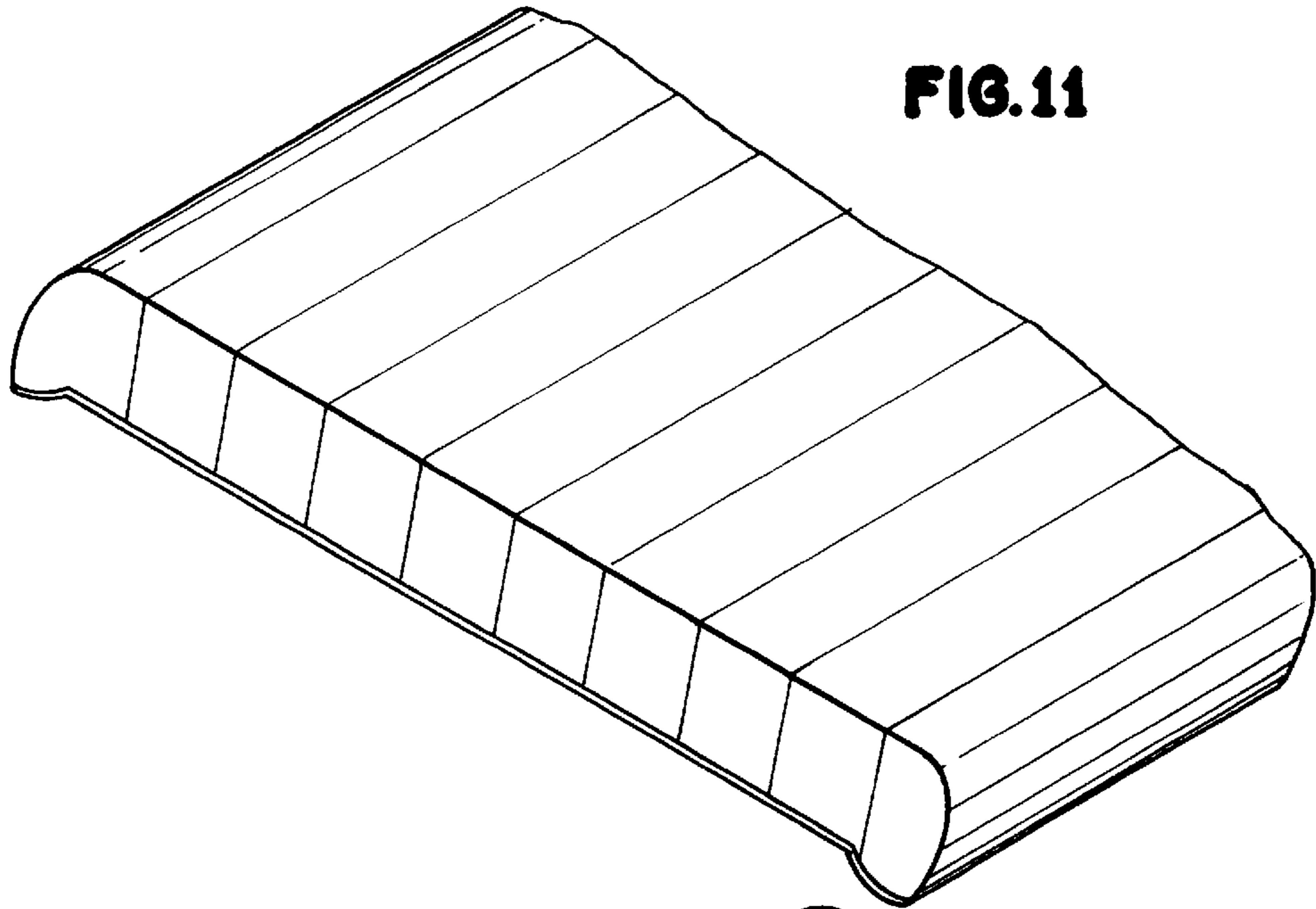


FIG. 11

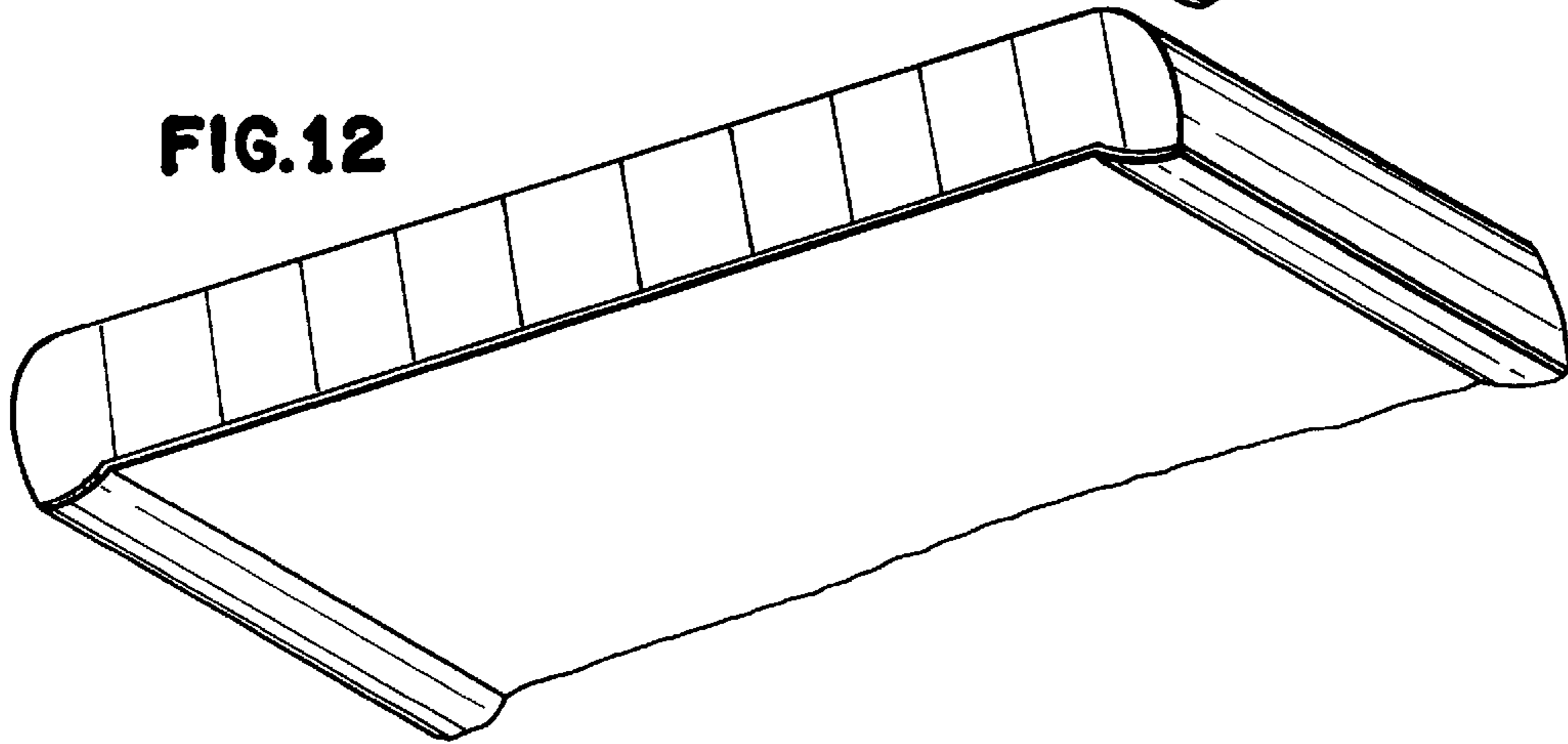


FIG. 12

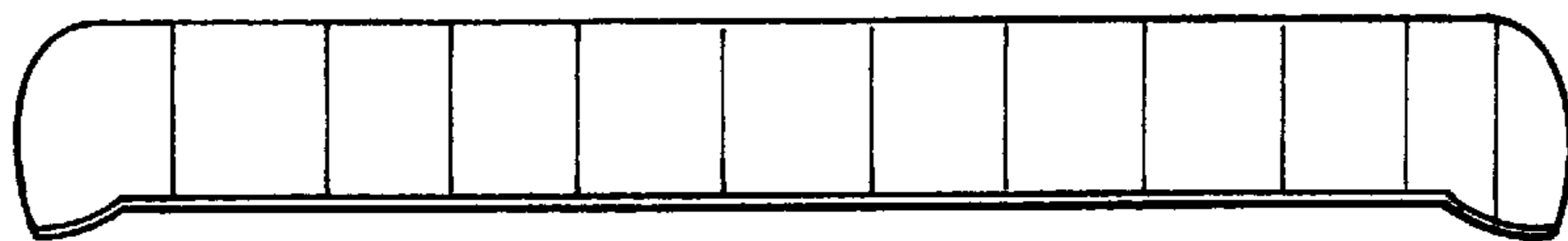


FIG. 13