



US00D437427S

(12) **United States Design Patent**  
**Shaffer**

(10) **Patent No.:** **US D437,427 S**

(45) **Date of Patent:** **\*\* Feb. 6, 2001**

(54) **POOL GRATE**

4,235,008 \* 11/1980 Meredith ..... 4/510

(75) Inventor: **Wayne G. Shaffer**, Lynnfield, MA (US)

\* cited by examiner

(73) Assignee: **Leslie's Poolmart, Inc.**, Chatsworth, CA (US)

*Primary Examiner*—Doris Clark

(74) *Attorney, Agent, or Firm*—Christie, Parker & Hale, LLP

(\*\*) Term: **14 Years**

(57) **CLAIM**

(21) Appl. No.: **29/112,413**

I claim the ornamental design for the pool grate, as shown and described.

(22) Filed: **Oct. 14, 1999**

**DESCRIPTION**

(51) **LOC (7) Cl.** ..... **25-01**

(52) **U.S. Cl.** ..... **D25/156**

(58) **Field of Search** ..... D25/2, 53, 153, D25/156, 154, 155; 52/507, 656.8, 660, 673, 663; 49/50; 4/498, 506, 507, 510, 286; 404/2

FIG. 1 is a perspective view showing my new design;

FIG. 2 is a top view of my new design;

FIG. 3 is a front view of my new design, the rear view of my new design being the mirror image of the view shown in FIG. 3; and,

FIG. 4 is a side view of my new design, the opposite side view of my new design being a mirror image of the view shown in FIG. 4.

The broken lines are for illustrative purposes only and form no part of the claimed design.

(56) **References Cited**

**U.S. PATENT DOCUMENTS**

- D. 327,748 \* 7/1992 Dorfman, Jr. .... D25/156
- 3,918,107 \* 11/1975 Whitten, Jr. et al. .... 4/510
- 4,170,796 \* 10/1979 Schiron et al. .... 4/510

**1 Claim, 3 Drawing Sheets**

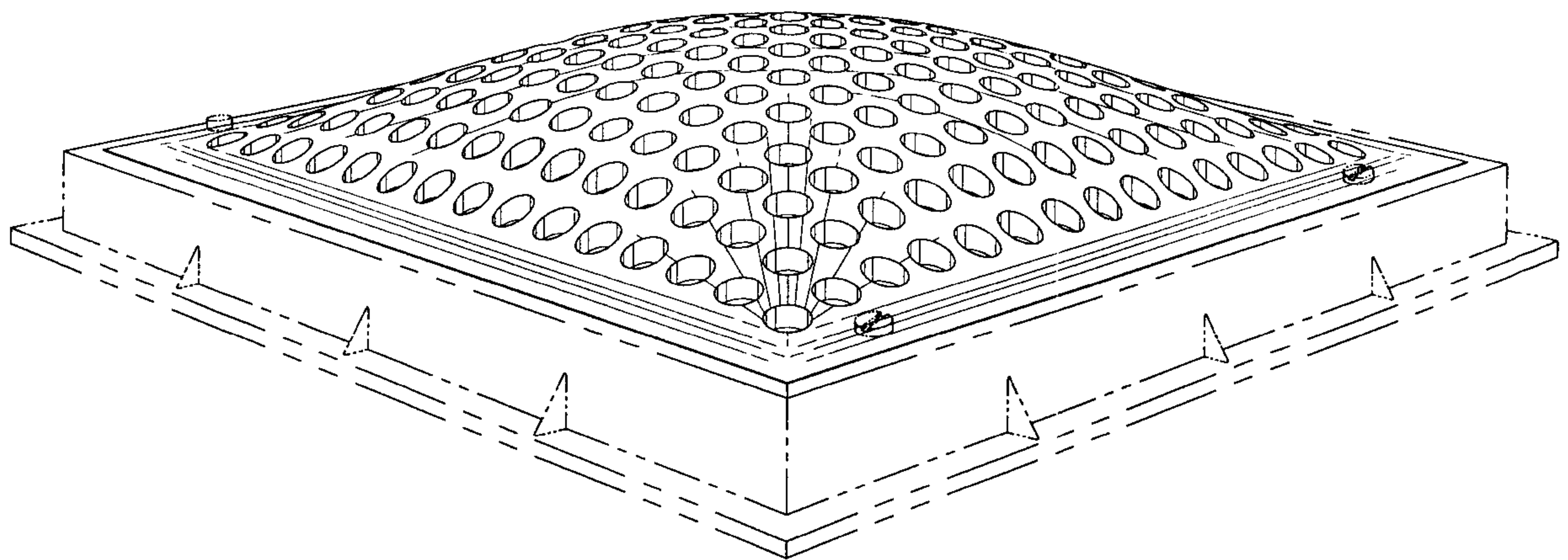


FIG. 1

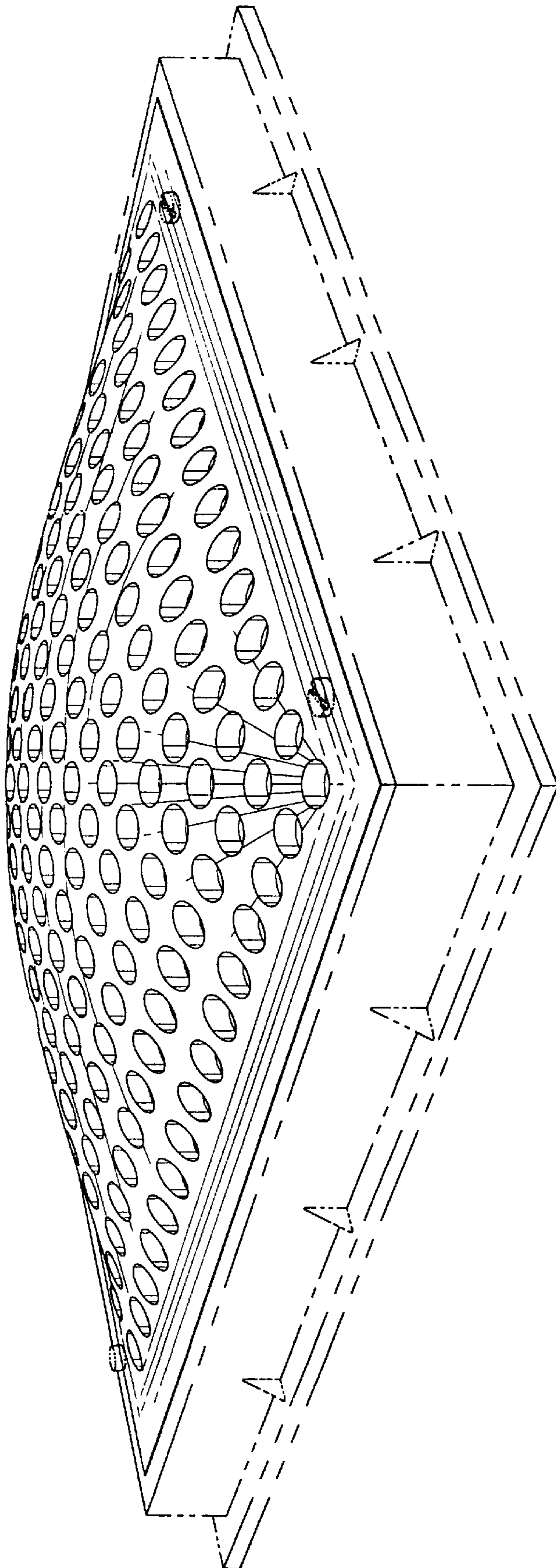
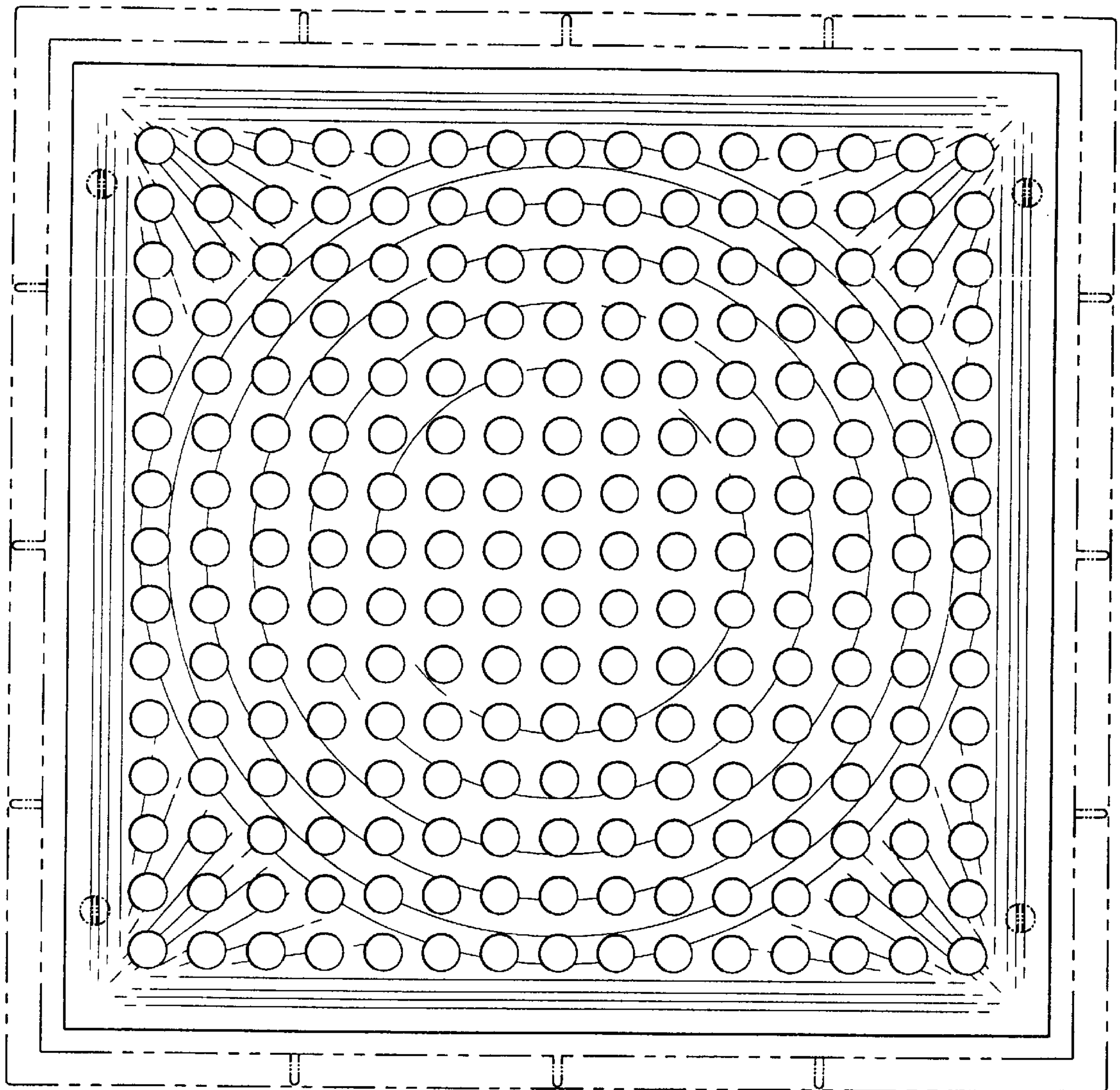
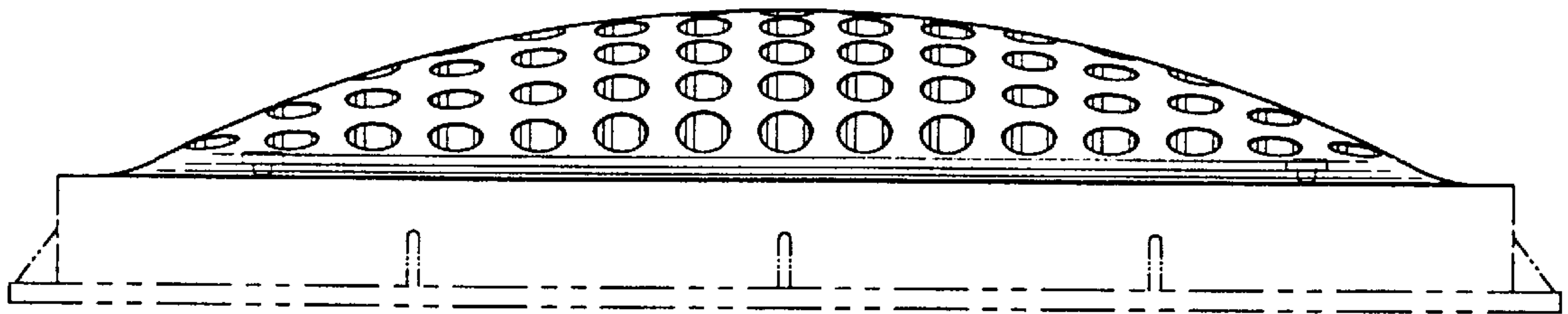


FIG. 2





*FIG. 3*



*FIG. 4*

