



US00D437426S

(12) **United States Design Patent**
Ginsburg

(10) **Patent No.:** **US D437,426 S**

(45) **Date of Patent:** **** Feb. 6, 2001**

(54) **DISTRIBUTION COMPONENT ENCLOSURE**

Primary Examiner—Brian N. Vinson

(74) *Attorney, Agent, or Firm*—Needle & Rosenberg, P.C.

(76) **Inventor:** **Thomas A. Ginsburg**, 1505 Bent Creek Dr., Southlake, TX (US) 76092

(57) **CLAIM**

(**) **Term:** **14 Years**

The ornamental design for a distribution component enclosure, as shown and described.

(21) **Appl. No.:** **29/116,001**

DESCRIPTION

(22) **Filed:** **Dec. 22, 1999**

(51) **LOC (7) Cl.** **25-01**

(52) **U.S. Cl.** **D25/126**

(58) **Field of Search** D26/67, 68; D25/126;
D13/184; 52/726.3, 726.4, 651.07, 649.2,
743, 741

FIG. 1 is a top and front perspective view of a distribution component enclosure showing my new design;

FIG. 2 is a front elevational view thereof;

FIG. 3 is a top plan view thereof;

FIG. 4 is a bottom plan view thereof;

FIG. 5 is a top and front perspective view thereof, showing the upper portion of the enclosure;

FIG. 6 is a front elevational view thereof, showing the upper portion of the enclosure;

FIG. 7 is a top plan view thereof, showing the upper portion of the enclosure;

FIG. 8 is a bottom plan view thereof, showing the upper portion of the enclosure;

FIG. 9 is a top and front perspective view thereof, showing the lower portion of the enclosure;

FIG. 10 is a bottom and front perspective view thereof, showing the lower portion of the enclosure;

FIG. 11 is a top plan view thereof, showing the lower portion of the enclosure;

FIG. 12 is a front elevational view thereof, showing the lower portion of the enclosure;

FIG. 13 is a vertical cross-sectional view thereof showing the lower portion of the enclosure, taken along line 13—13 of FIG. 11; and,

FIG. 14 is a bottom plan view thereof, showing the lower portion of the enclosure.

The lower portion of the enclosure is omitted for clarity of illustration in views of the upper portion, the upper portion is omitted for clarity of illustration in views of the lower portion, and the broken-line disclosure of various elements in the view are for illustrative purposes only and form no part of the claimed design.

(56) **References Cited**

U.S. PATENT DOCUMENTS

D. 357,988	*	5/1995	Sosa	D25/126
946,251		1/1910	Moffitt et al.	.	
1,157,026		10/1915	Meschenmoser	.	
1,162,657		11/1915	Schweitzer	.	
1,189,459		7/1916	Lundin	.	
1,338,028		4/1920	Linehan	.	
1,560,289		11/1925	Noll	.	
2,668,888		2/1954	Johnson	.	
2,775,745		12/1956	Eaton	.	
3,116,386		12/1963	Sperzel	.	
3,145,329		8/1964	Deakin et al.	.	
3,242,252		3/1966	Bergenstein	.	
3,300,570		1/1967	Spiece et al.	.	
3,356,806		12/1967	Urani	.	

(List continued on next page.)

FOREIGN PATENT DOCUMENTS

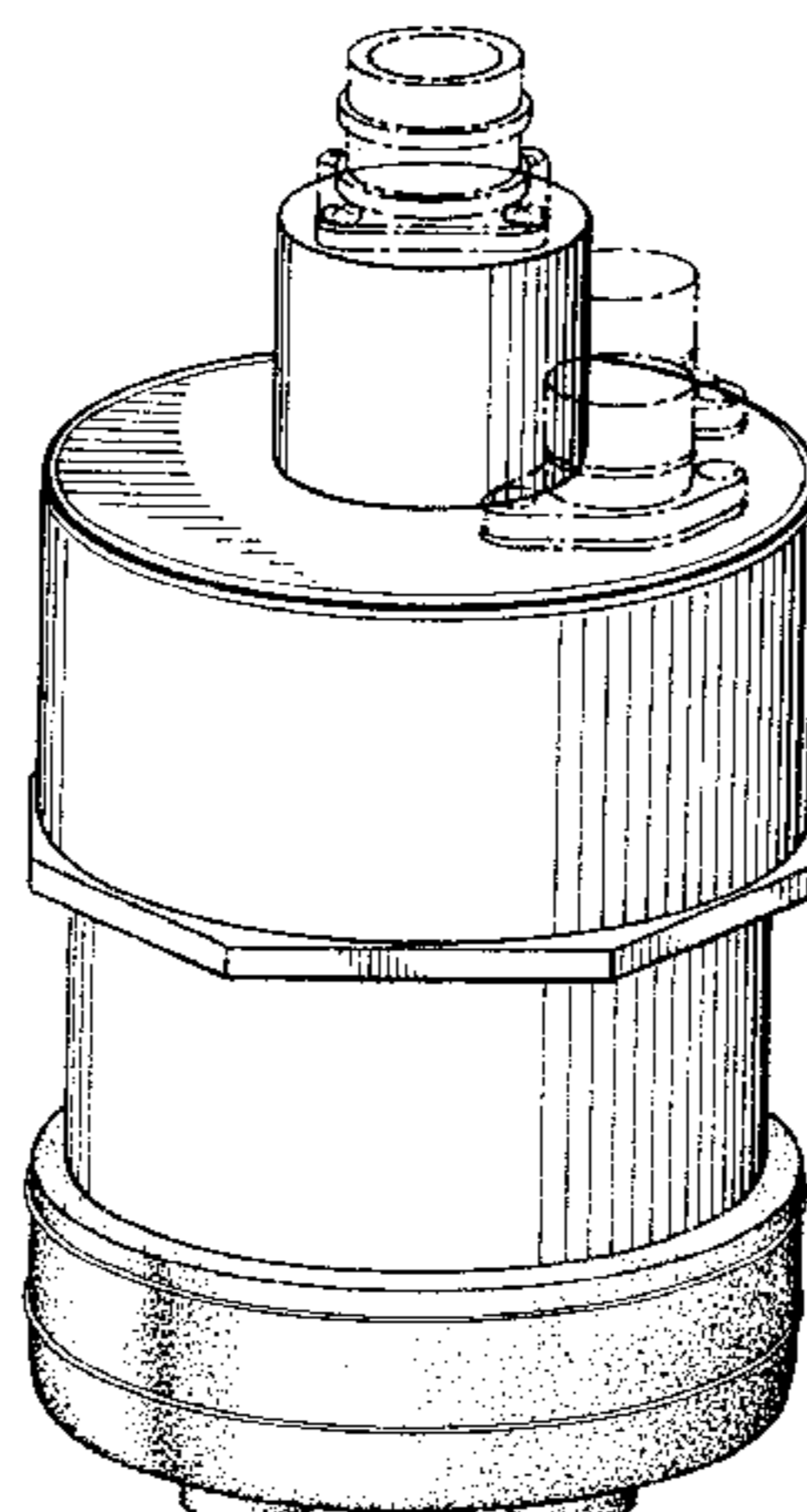
30 36 629 A1		9/1980	(DE)	.
0 334 610 B1		3/1994	(EP)	.
0 334 609 B1		6/1994	(EP)	.
1438539		4/1966	(FR)	.

OTHER PUBLICATIONS

Florida Department of Transportation, Metal Pole Wiring Specification, (Aug. 1978).

(List continued on next page.)

1 Claim, 3 Drawing Sheets



U.S. PATENT DOCUMENTS

3,710,296	1/1973	Urani .	
3,761,865	9/1973	Bomgaars et al. .	
3,793,794	* 2/1974	Archer et al.	52/726.4 X
3,838,547	* 10/1974	Meisberger	52/726.4 X
3,862,411	1/1975	Persson .	
3,863,189	1/1975	Urani .	
3,945,320	3/1976	Gibson et al. .	
4,072,857	2/1978	De Vicaris .	
4,138,181	2/1979	Hacker et al. .	
4,214,806	7/1980	Kraft .	
4,392,192	7/1983	Steadman .	
4,542,437	9/1985	Ellis et al. .	
4,568,137	2/1986	Leuthold .	
4,684,192	8/1987	Long et al. .	
4,698,717	10/1987	Scheid .	
4,702,537	10/1987	Mattingly et al. .	
4,707,046	11/1987	Strand .	
4,734,059	3/1988	Melugin .	
4,759,730	7/1988	Sappington et al. .	
4,836,802	6/1989	Phillips .	
4,878,160	* 10/1989	Reneau et al.	52/726.4 X
4,911,652	3/1990	Savoca et al. .	
4,968,264	11/1990	Ruehl et al. .	
4,997,394	3/1991	Katz et al. .	
5,018,991	5/1991	Katz et al. .	
5,060,437	10/1991	Parsons et al. .	
5,069,631	12/1991	Bauer et al. .	
5,080,600	1/1992	Baker et al. .	
5,161,874	11/1992	Benes .	
5,243,508	9/1993	Ewing et al. .	
5,267,880	12/1993	Tamm .	
5,335,160	8/1994	Savoca .	
5,481,846	* 1/1996	Macchietto	52/726.4 X
5,749,189	* 5/1998	Oberg	52/726.4 X
5,784,851	* 7/1998	Waugh	52/726.4 X
5,820,255	10/1998	Carrington et al. .	

OTHER PUBLICATIONS

Buchanan Construction Products, Inc., Catalog, Waterproof Breakaway Streetlight Connector and Splice Insulating Kits (undated).

Bussmann, Catalog, Small Dimension Fuses, Fuseholders, Blocks and Accessories (undated).
 Bussmann, Catalog, Fuseblocks, Holders and Disconnect Switches (undated).
 Littelfuse, Catalog, Axial Lead and Cartridge Fuses (undated).
 ITT Cannon, Catalog, Sure Seal Connectors and Accessories (undated).
 General Electric Company, Airport Lighting—High Intensity Runway; Runway and Threshold Marker Lights (Feb. 4, 1952).
 State of Louisiana, Department of Highways, Standard Specifications for Road and Bridges, (Oct. 1971).
 Buss, Tron In-the-Line Waterproof Fuse Holders with Optional Break-A-Way Receptacles for Street and Highway Lighting Standards, (Jun. 1984).
 Light Pole Installation Details, (Nov. 1986).
 Breakaway and Tap Connector Diagram, (Nov. 1986).
 Bussman, Buss Electronic Fuses and Small Dimension Fuses, (Apr. 1986).
 Buchanan, Buchanan Technical Data Sheets, (Oct. 1, 1988).
 Breakaway Transfer Base and Light Pole Connections, (Mar. 1990).
 Littelfuse, Catalog, (Feb. 1973).
 Bussman, TRON Breakaway Fuseholder Assembly, (Feb. 1973).
 Roger L. Brockenbrough; Kenneth K. Broedecker, Highway Engineering Handbook Building and Rehabilitating the Infrastructure (1996) (pp. 7.96–7.138).
 Buchanan, Buchanan Construction Products Catalog, (undated).
 Bussman, TRON In-the-Line Waterproof Fuseholder, (undated).
 MG², Duraline, Modular Cable Distribution Systems—A Safer Alternative to Roadway and Highmast Lightpole Wiring, (undated).

* cited by examiner

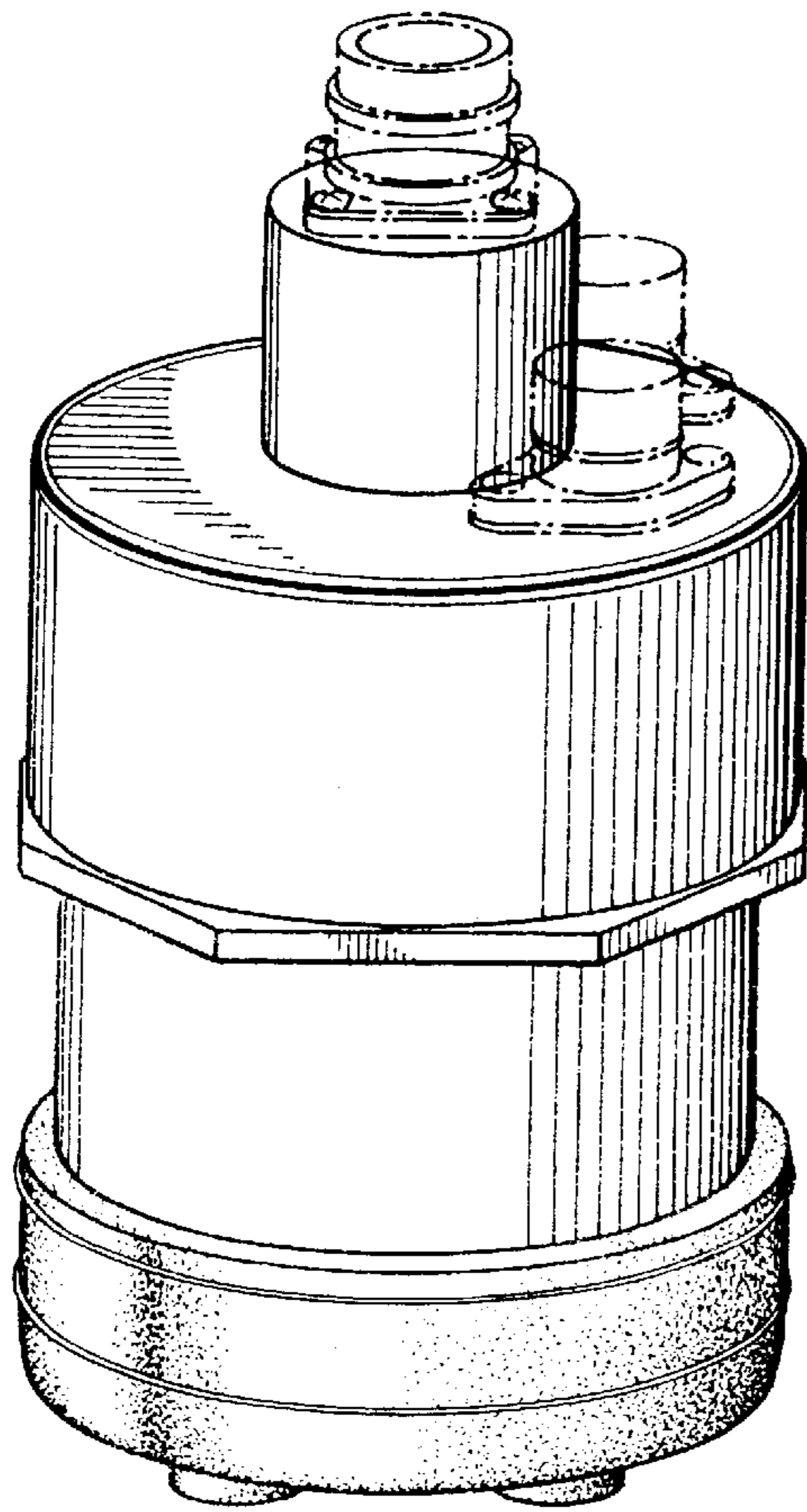


FIG 1

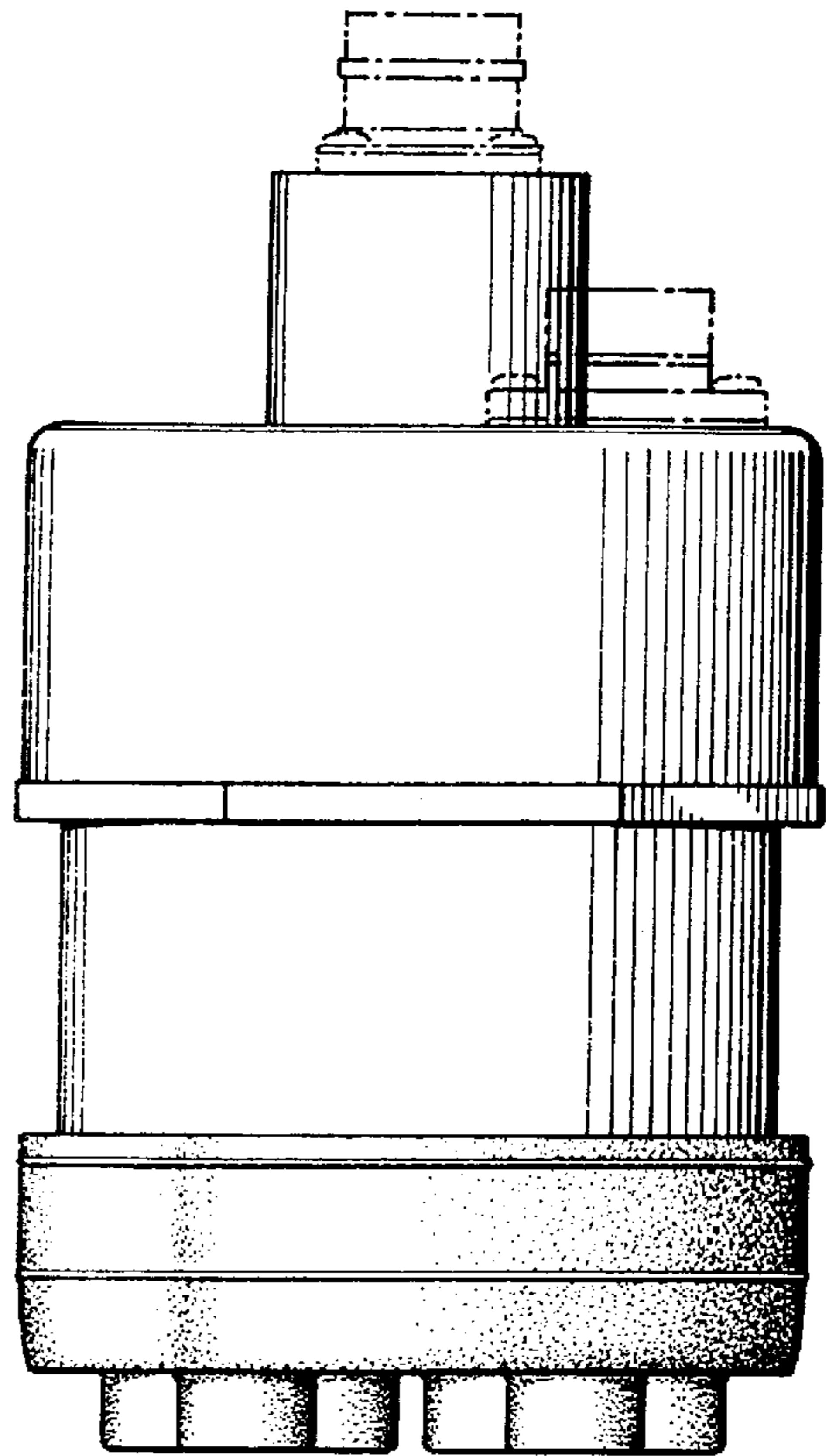


FIG 2

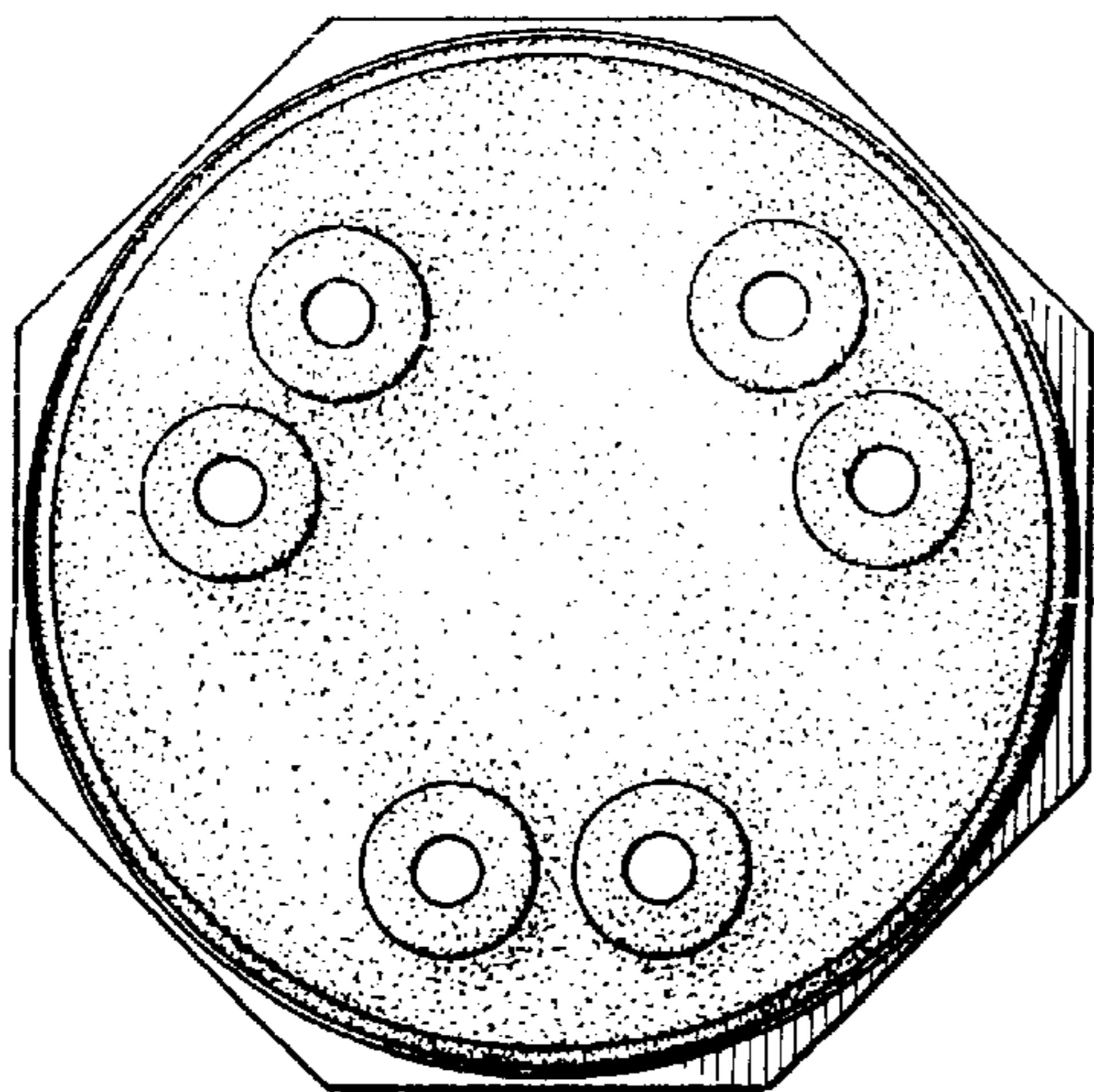


FIG 4

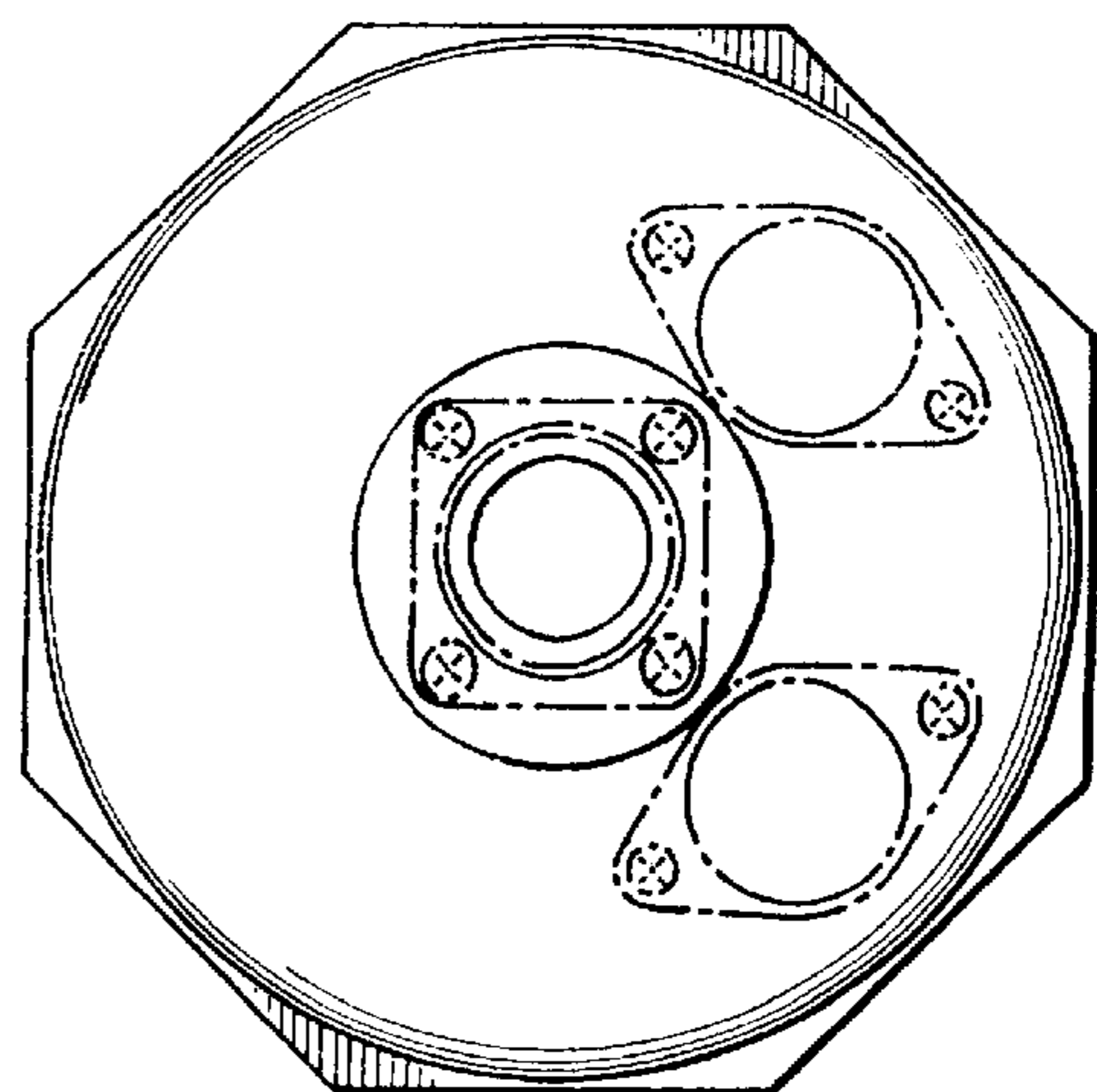


FIG 3

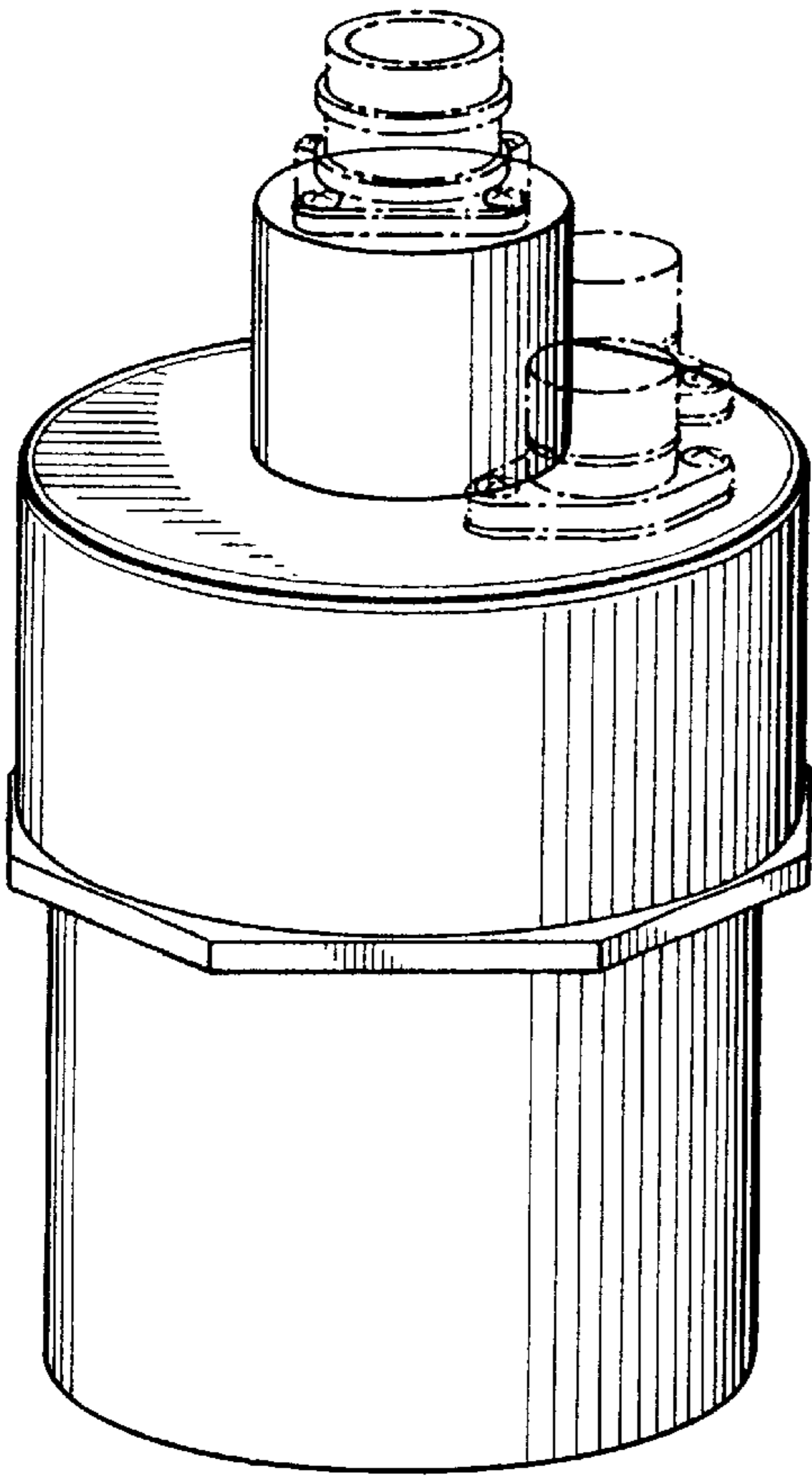


FIG 5

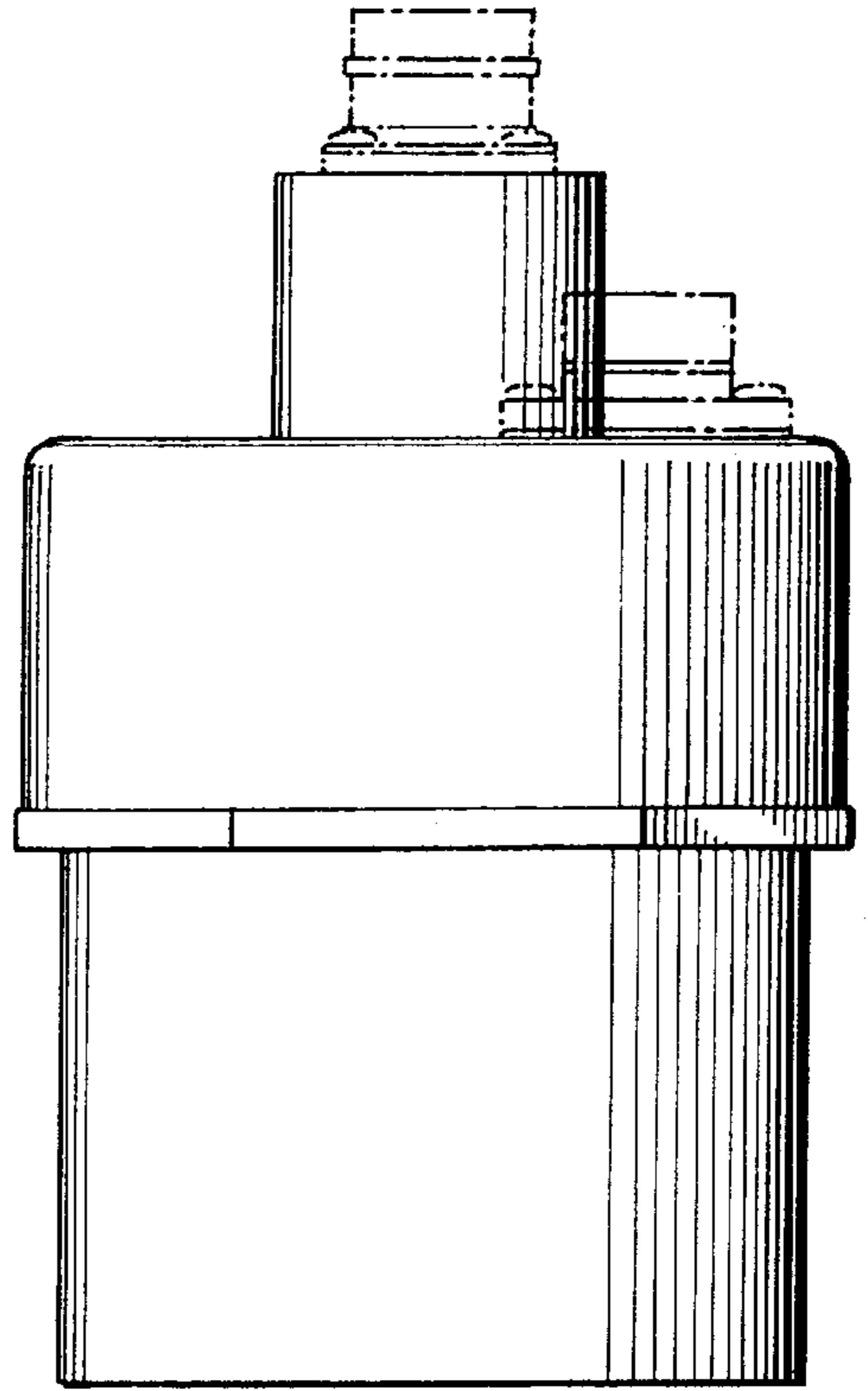


FIG 6

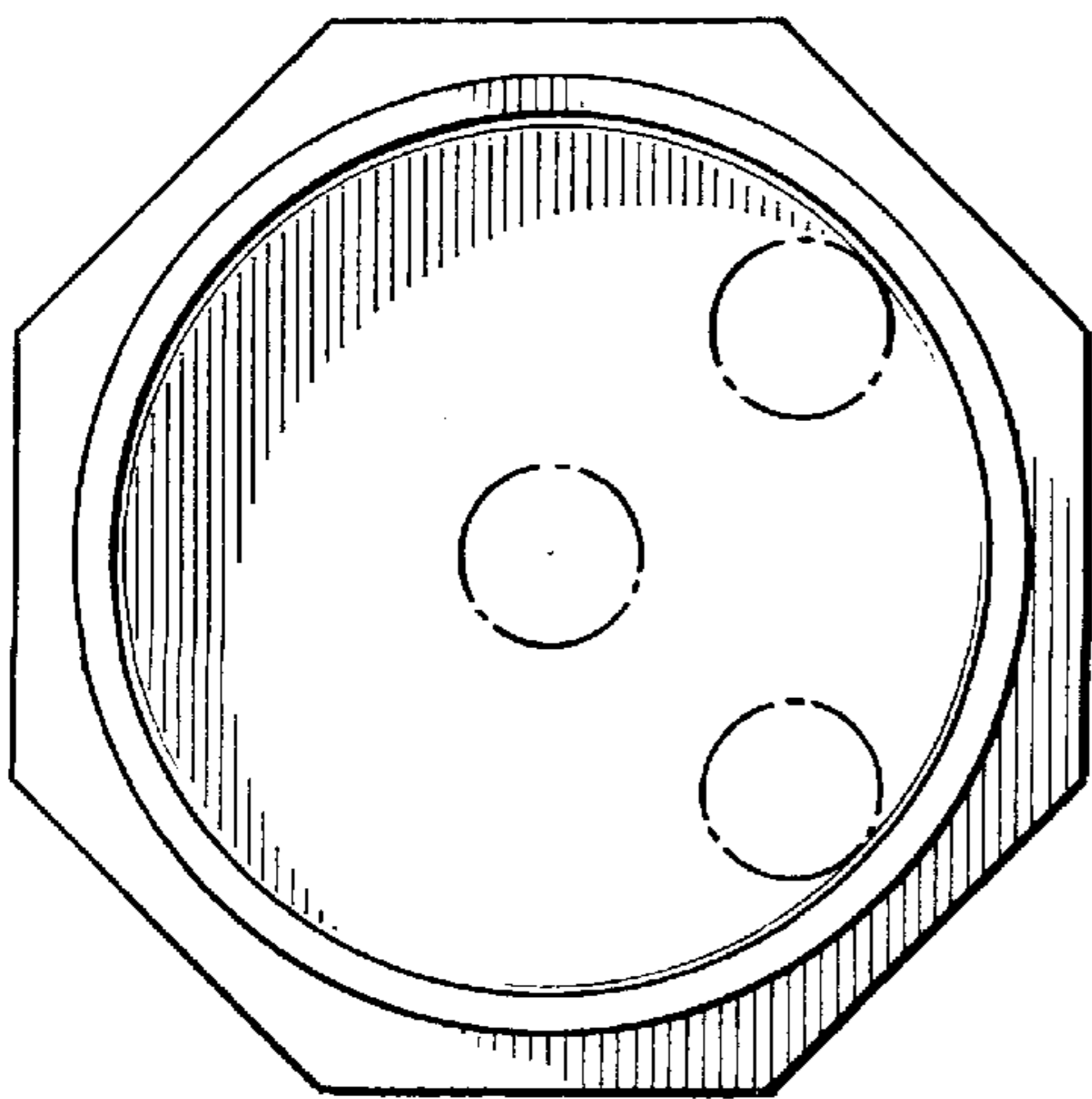


FIG 8

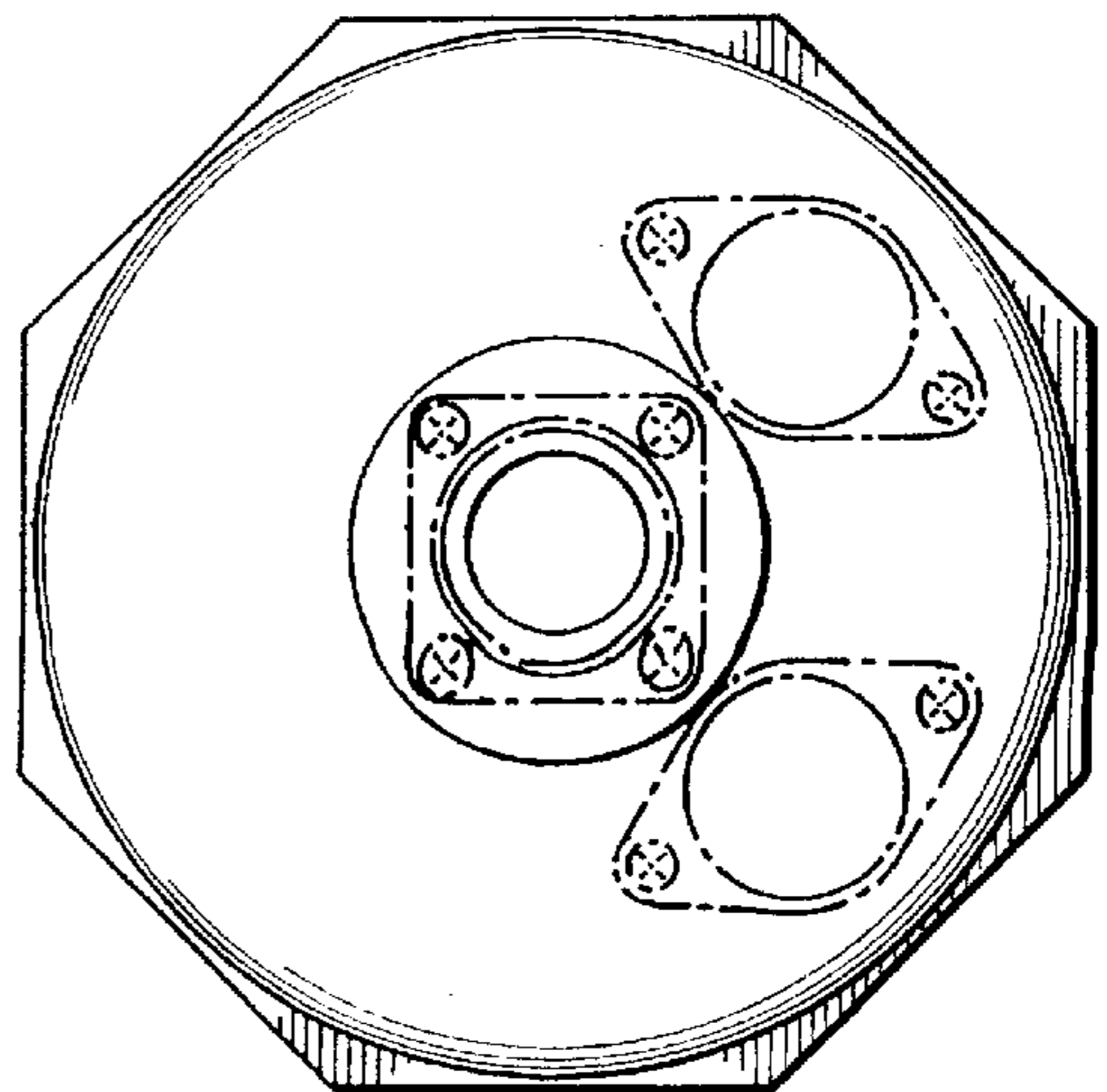


FIG 7

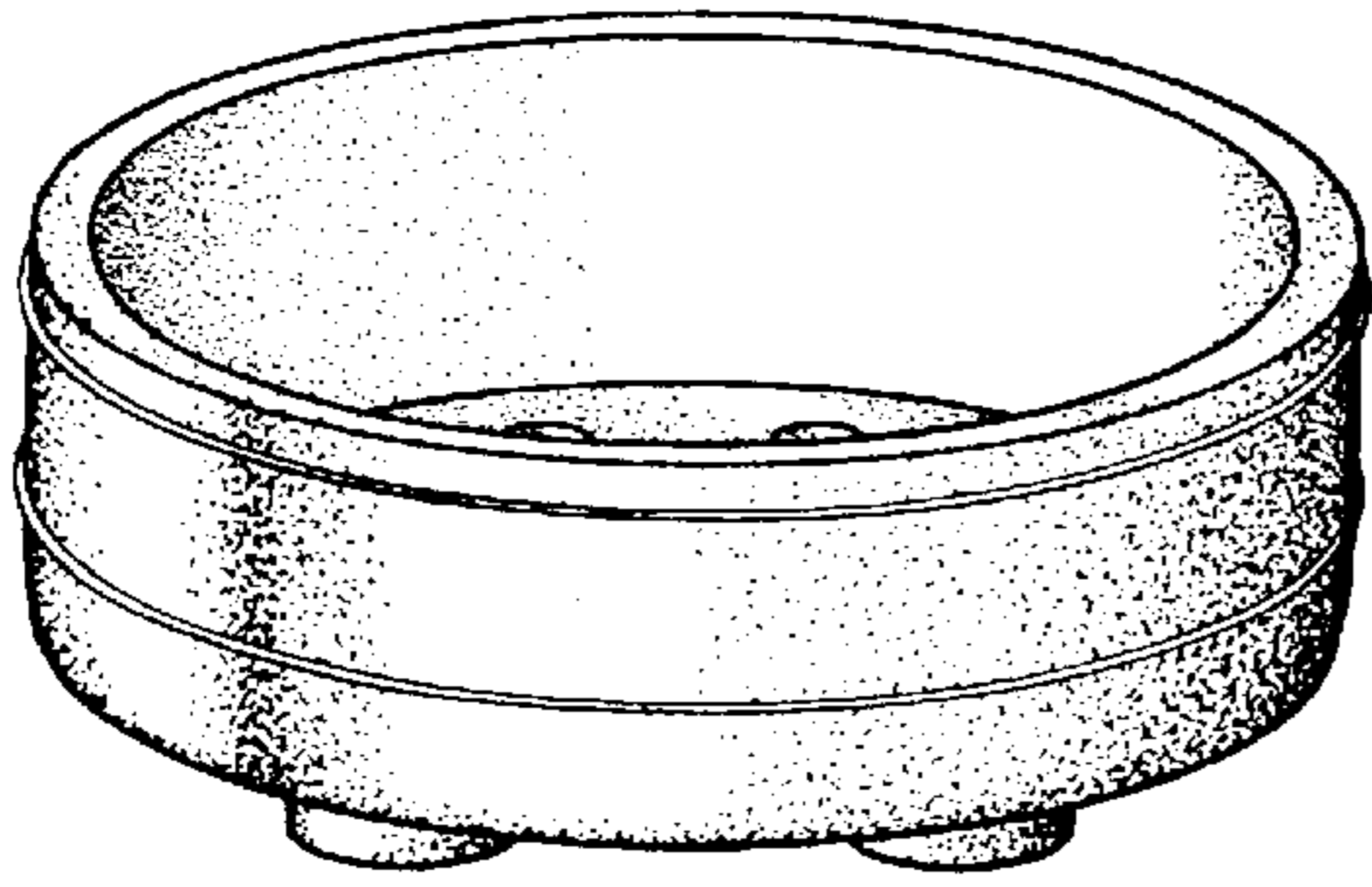


FIG 9

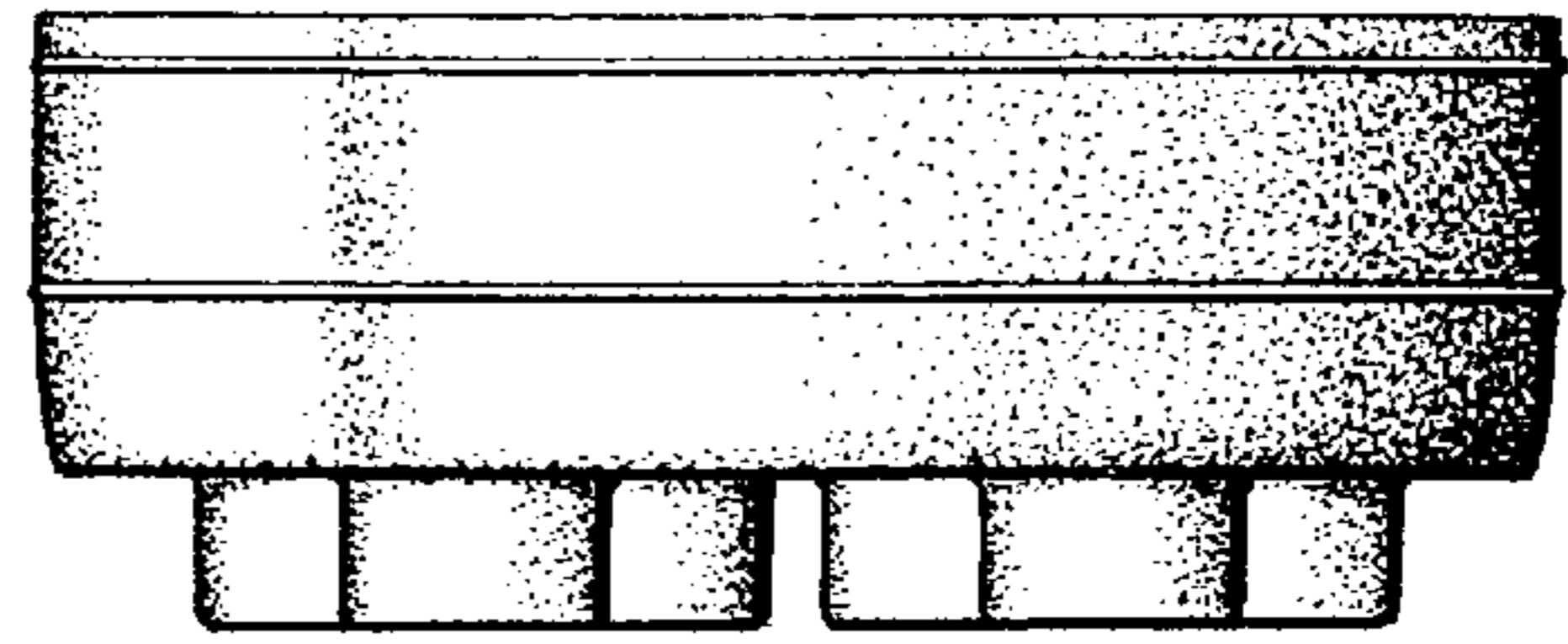


FIG 12

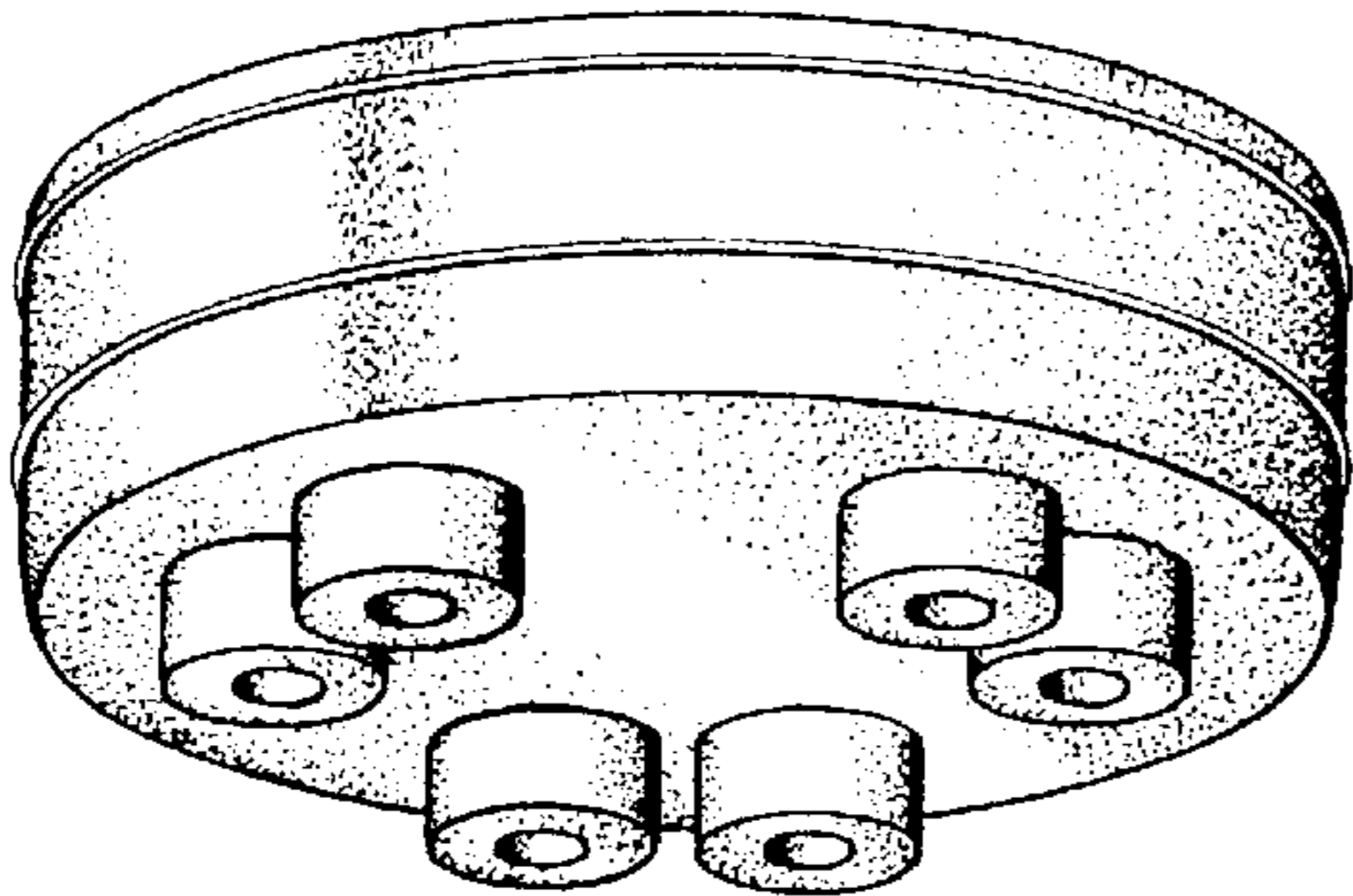


FIG 10

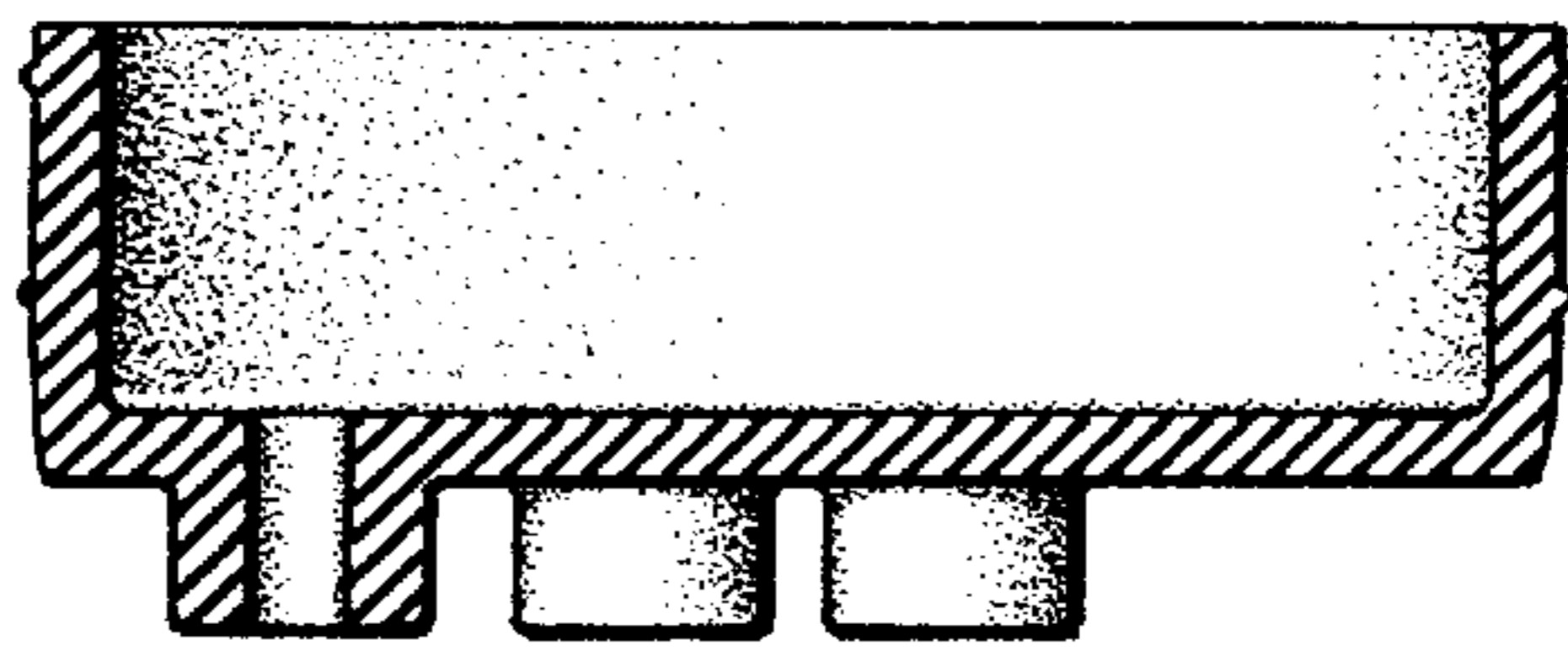


FIG 13

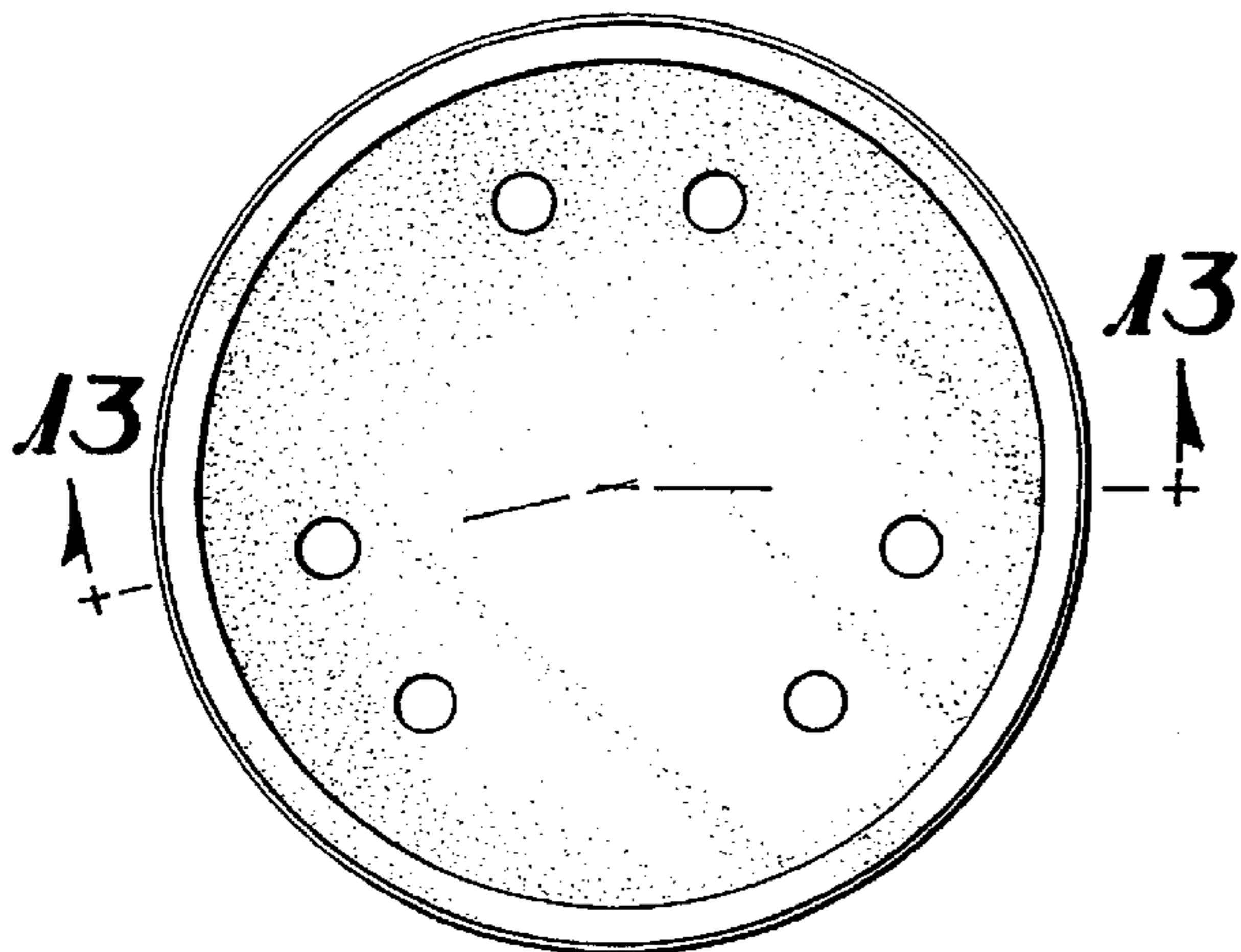


FIG 11

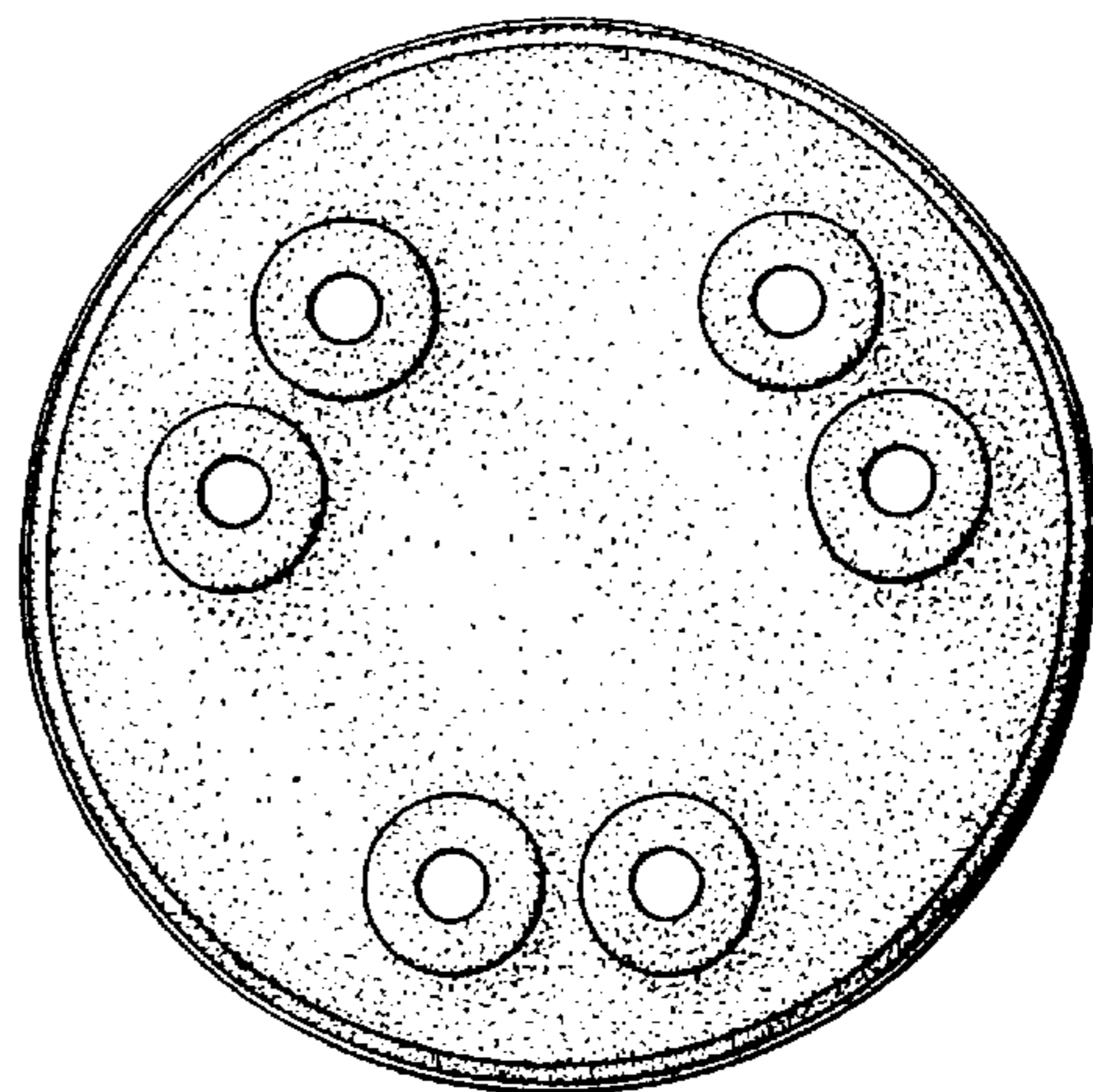


FIG 14