



US00D437424S

(12) **United States Design Patent**
Habeck et al.

(10) **Patent No.:** **US D437,424 S**

(45) **Date of Patent:** **** Feb. 6, 2001**

(54) **PICTURE FRAME WITH J-CHANNEL FOR PICTURE WINDOW**

(75) Inventors: **Jerome Carl Habeck**, Holt; **Dennis C. Westphal**, Parma, both of MI (US); **David S. Levine**, King of Prussia; **Stanley Gursky**, Yardley, both of PA (US)

(73) Assignee: **CertainTeed Corporation**, Valley Forge, PA (US)

(*) Notice: This patent is subject to a terminal disclaimer.

(**) Term: **14 Years**

(21) Appl. No.: **29/121,434**

(22) Filed: **Apr. 6, 2000**

(51) **LOC (7) Cl.** **25-01**

(52) **U.S. Cl.** **D25/124**

(58) **Field of Search** 52/777-779, 764, 52/204.5, 204.55, 656.4, 656.6, 656.7; D25/60, 124, 125, 52; 49/504, DIG. 2

(56) **References Cited**

U.S. PATENT DOCUMENTS

D. 369,419	*	4/1996	Franson	D25/125
D. 377,533	*	1/1997	Dallaire et al.	D25/124
4,944,118	*	7/1990	Biro	49/504

* cited by examiner

Primary Examiner—Doris Clark

(74) *Attorney, Agent, or Firm*—Duane Morris & Heckscher LLP

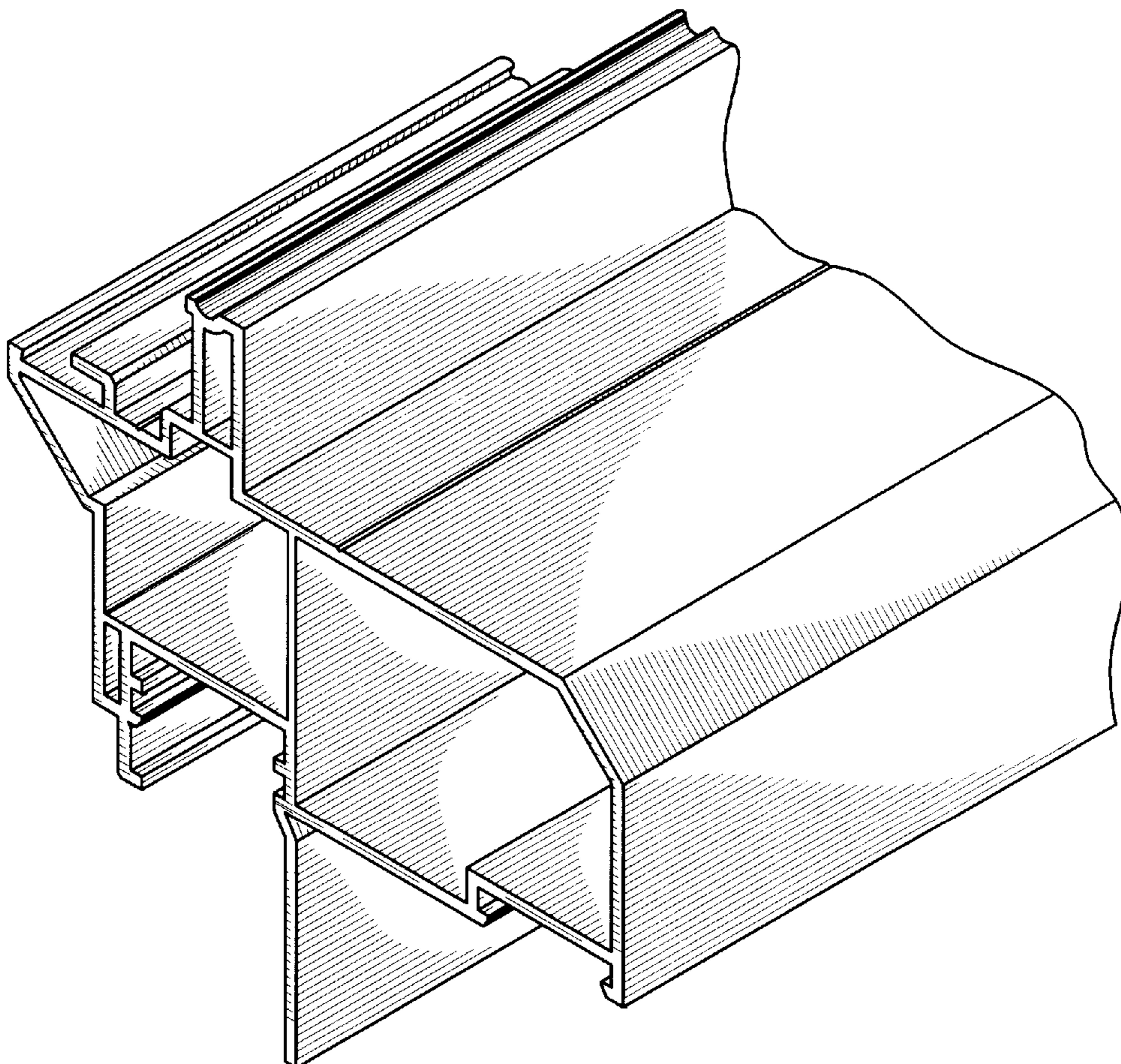
(57) **CLAIM**

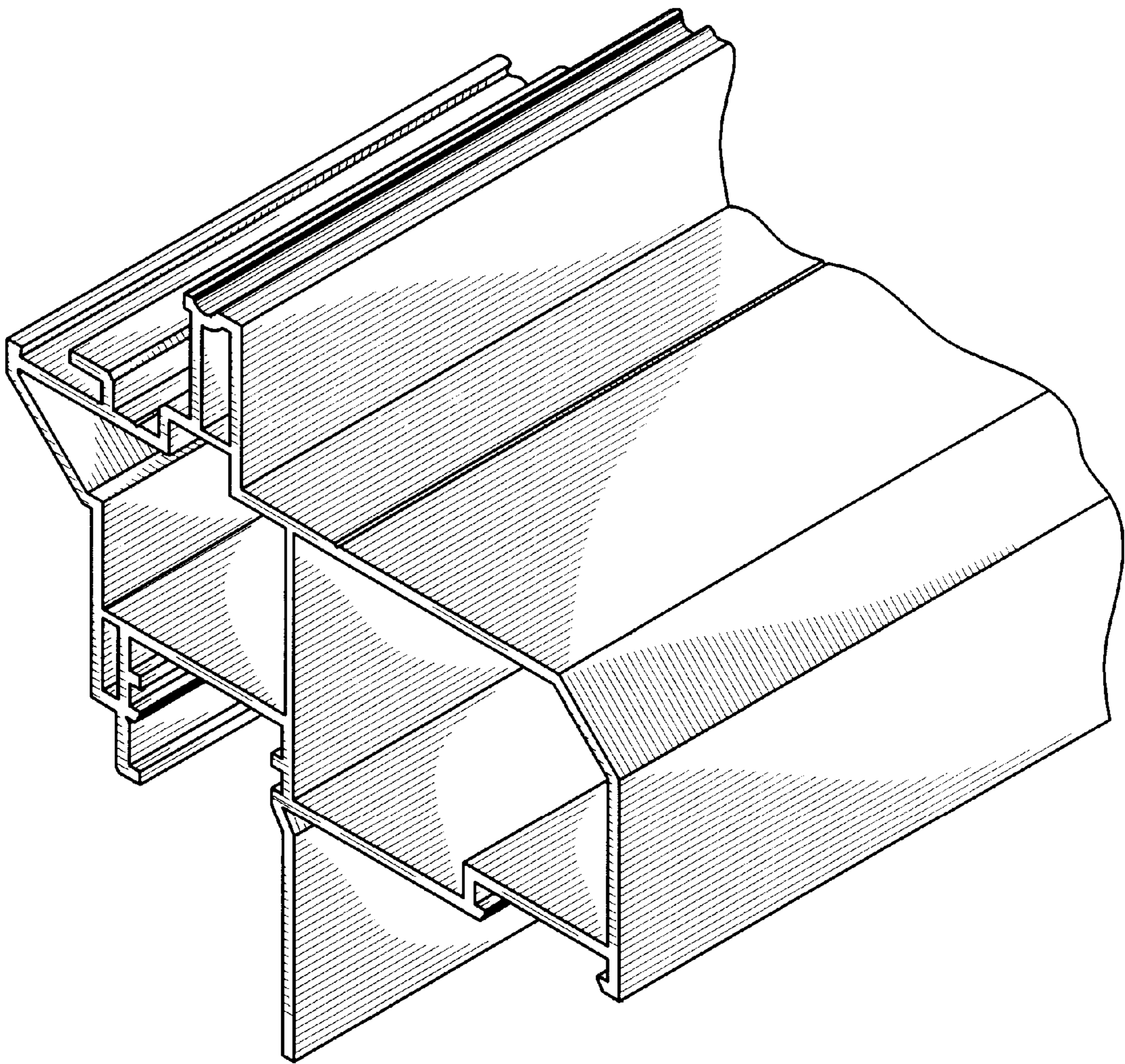
The ornamental design for a picture frame with J-channel for picture window, as shown and described.

DESCRIPTION

The FIGURE is a front perspective view of a picture frame with J-channel for picture window, showing our new design, the rear perspective view being a mirror image and is shown fragmented indicating indefinite length.

1 Claim, 1 Drawing Sheet





THE FIGURE