



US00D437422S

(12) **United States Design Patent**  
**Bolles et al.**

(10) **Patent No.:**

**US D437,422 S**

(45) **Date of Patent:**

**\*\* Feb. 6, 2001**

(54) **FACE OF A RETAINING WALL BLOCK**

(75) Inventors: **Glenn C. Bolles**, Edina; **David M. Lacroix**, Circle Pines; **Ronald J. Scherer**, Oak Park Heights, all of MN (US)

(73) Assignee: **Anchor Wall Systems, Inc.**, Minnetonka, MN (US)

(\* ) Notice: This patent is subject to a terminal disclaimer.

(\*\* ) Term: **14 Years**

(21) Appl. No.: **29/109,554**

(22) Filed: **Aug. 17, 1999**

(51) **LOC (7) Cl.** ..... **25-01**

(52) **U.S. Cl.** ..... **D25/113**

(58) **Field of Search** ..... D25/102, 112-118, D25/164, 199; D21/484-486, 488-492, 499-500; 52/588.1, 582.1, 596; 404/29, 34, 37-42; 405/284-287, 287.1, 16, 272

(56) **References Cited**

**U.S. PATENT DOCUMENTS**

Re. 34,314 7/1993 Forsberg .  
D. 295,788 5/1988 Forsberg .

(List continued on next page.)

**FOREIGN PATENT DOCUMENTS**

587599 8/1986 (AU) .  
528788 of 1954 (BE) .  
569898 of 1958 (BE) .  
50020 7/1982 (CA) .  
62875 4/1989 (CA) .  
67904 1/1991 (CA) .  
90 15 196 4/1991 (DE) .  
296 10 306  
U1 10/1996 (DE) .

944066 12/1963 (GB) .  
24781 5/1993 (NZ) .  
25131 6/1994 (NZ) .  
25132 6/1994 (NZ) .  
25133 6/1994 (NZ) .  
27315 6/1996 (NZ) .  
27318 6/1996 (NZ) .  
27346 9/1996 (NZ) .  
27675 9/1996 (NZ) .  
27676 9/1996 (NZ) .

**OTHER PUBLICATIONS**

Model Stone Co. (Tech-Stone™) Brochure, "Reference Standards", Model Stone Co., Minneapolis, Minnesota, 1 page (Date Unknown).

Handy-Stone™ Retaining Wall System Brochure, Handy-Stone™ Retaining Wall System, A Division of Kiltie Corporation, Copyright 1989.

*Primary Examiner*—Louis S. Zarfes

*Assistant Examiner*—Robert A. Delehanty

(74) *Attorney, Agent, or Firm*—Merchant & Gould P.C.

(57) **CLAIM**

The ornamental design for a face of a retaining wall block, as shown and described.

**DESCRIPTION**

FIG. 1 is a perspective view of the face of the retaining wall block of the invention.

FIG. 2 is a top plan view of the face depicted in FIG. 1.

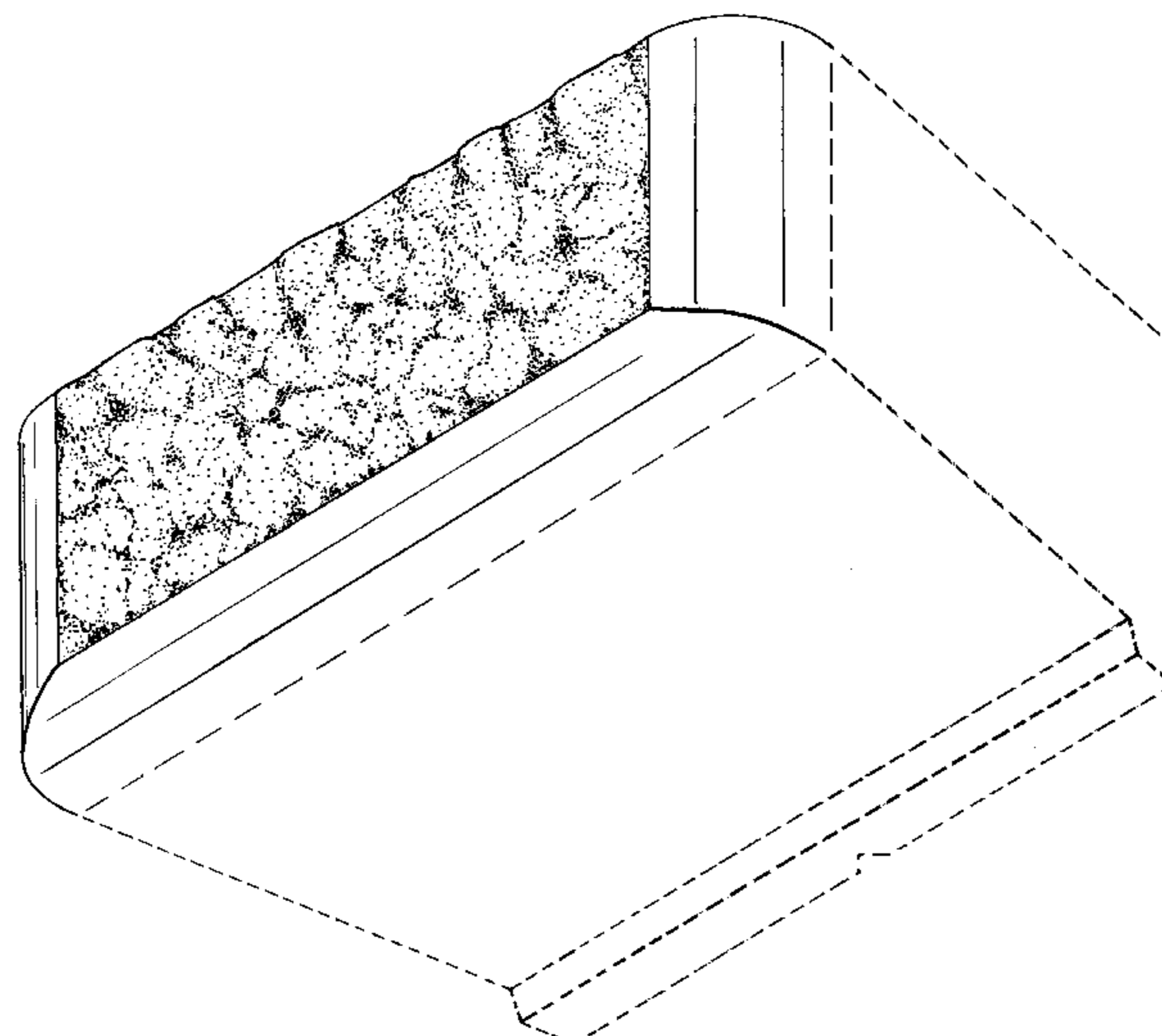
FIG. 3 is a bottom plan view of the face depicted in FIG. 1.

FIG. 4 is a side elevation of the face depicted in FIG. 1. The opposite side is a mirror image; and,

FIG. 5 is a front elevation of the face depicted in FIG. 1.

The broken lines defining the boundaries of the claimed design form no part thereof and the broken lines defining the remainder of the retaining wall block are for illustrative purposes only and form no part of the claimed design.

**1 Claim, 3 Drawing Sheets**



# US D437,422 S

Page 2

U.S. PATENT DOCUMENTS			B1 D. 380,		
D. 295,790	5/1988	Forsberg .	560	* 10/1999	Forsberg ..... D25/113
D. 296,007	5/1988	Forsberg .	1,534,353	4/1925	Besser .
D. 296,365	6/1988	Forsberg .	2,094,167	9/1937	Evers .
D. 297,464	8/1988	Forsberg .	2,197,960	4/1940	Alexander .
D. 297,574	9/1988	Forsberg .	2,219,606	10/1940	Schoick .
D. 297,767	9/1988	Forsberg .	3,631,682	1/1972	Hilfiker et al. .
D. 298,463	11/1988	Forsberg .	4,193,718	3/1980	Wahrendorf et al. .
D. 299,067	12/1988	Forsberg .	4,711,606	12/1987	Leling et al. .
D. 299,069	12/1988	Risi et al. .	4,802,320	2/1989	Forsberg .
D. 300,253	3/1989	Forsberg .	4,825,619	5/1989	Forsberg .
D. 300,254	3/1989	Forsberg .	4,860,505	8/1989	Bender .
D. 301,064	5/1989	Forsberg .	4,914,876	4/1990	Forsberg .
D. 311,444	10/1990	Forsberg .	5,017,049	5/1991	Sievert .
D. 316,904	5/1991	Forsberg .	5,031,376	7/1991	Bender et al. .
D. 317,048	5/1991	Forsberg .	5,062,610	11/1991	Woolford et al. .
D. 317,209	5/1991	Forsberg .	5,161,918	11/1992	Hodel .
D. 319,885	9/1991	Blomquist et al. .	5,249,950	10/1993	Woolford .
D. 321,060	10/1991	Blomquist et al. .	5,294,216	3/1994	Sievert .
D. 343,461	1/1994	Powell .	5,353,569	10/1994	Rodrique .
D. 346,667	5/1994	Blomquist et al. .	5,484,236	1/1996	Gravier .
D. 363,787	10/1995	Powell .	5,490,363	2/1996	Woodford .
D. 391,376	2/1998	Strand et al. .	5,505,034	4/1996	Dueck .
D. 415,845	* 10/1999	Staten et al. .... D25/113	5,622,456	4/1997	Risi et al. .

\* cited by examiner

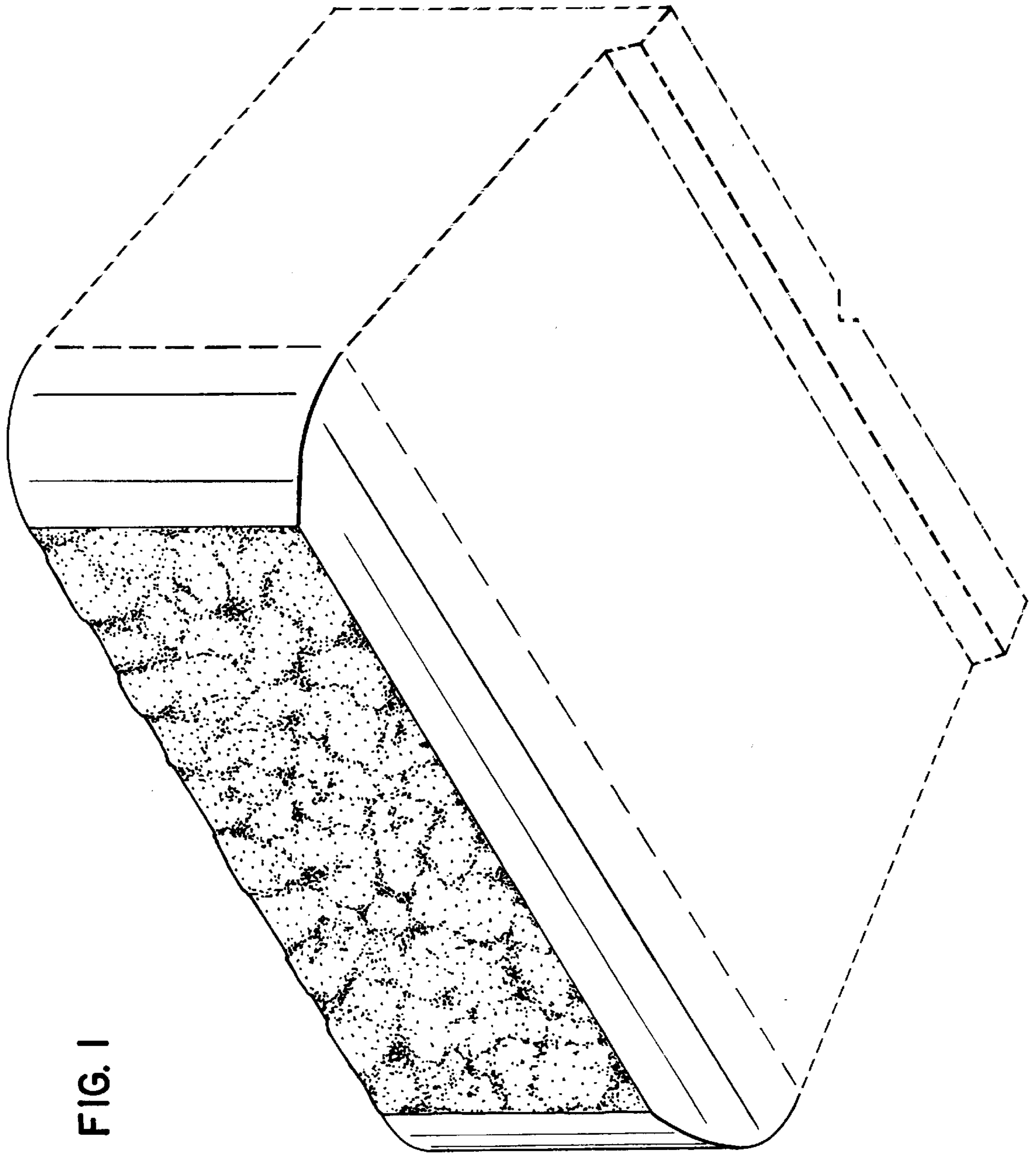


FIG. 1

FIG. 2

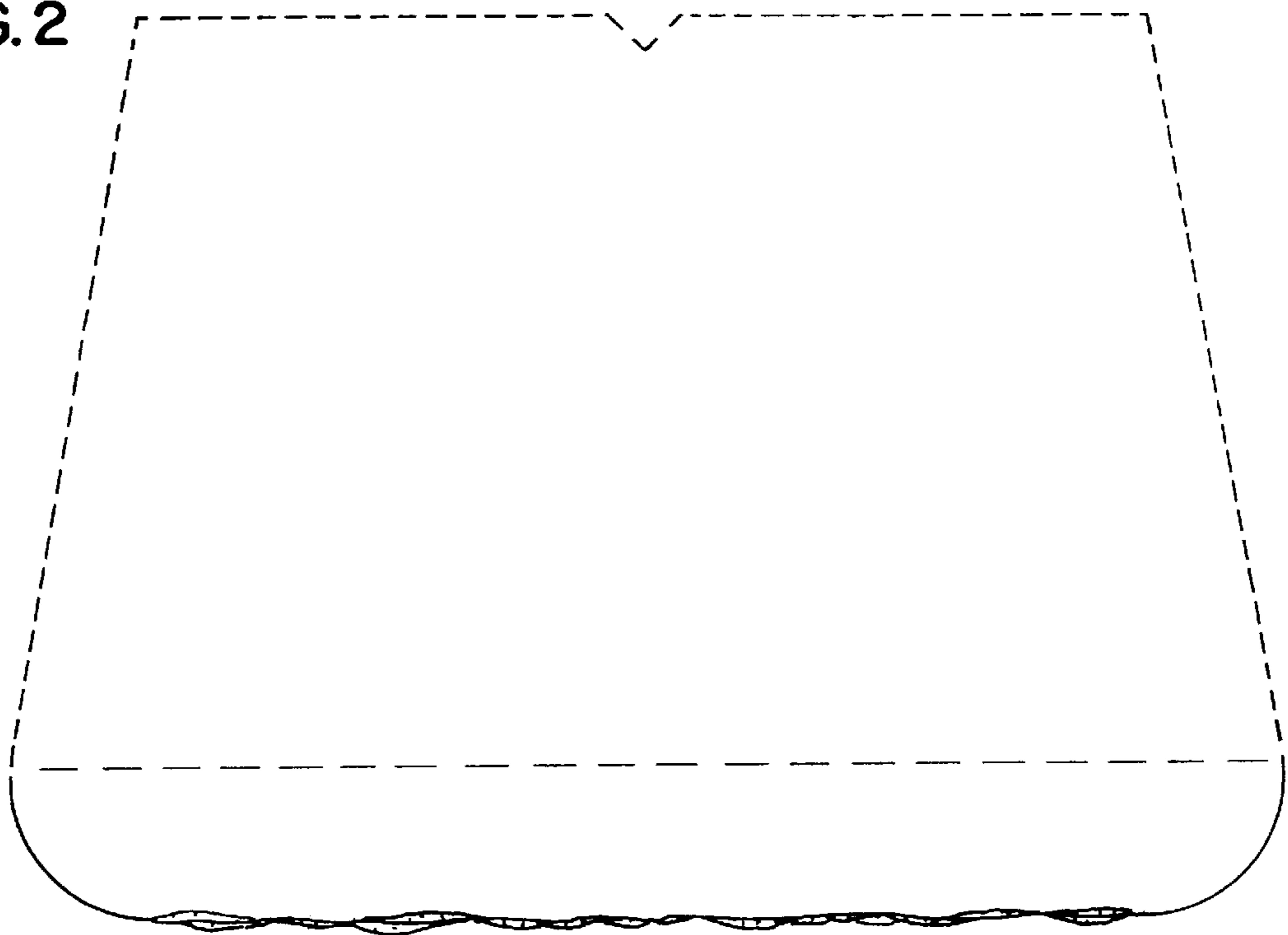


FIG. 3

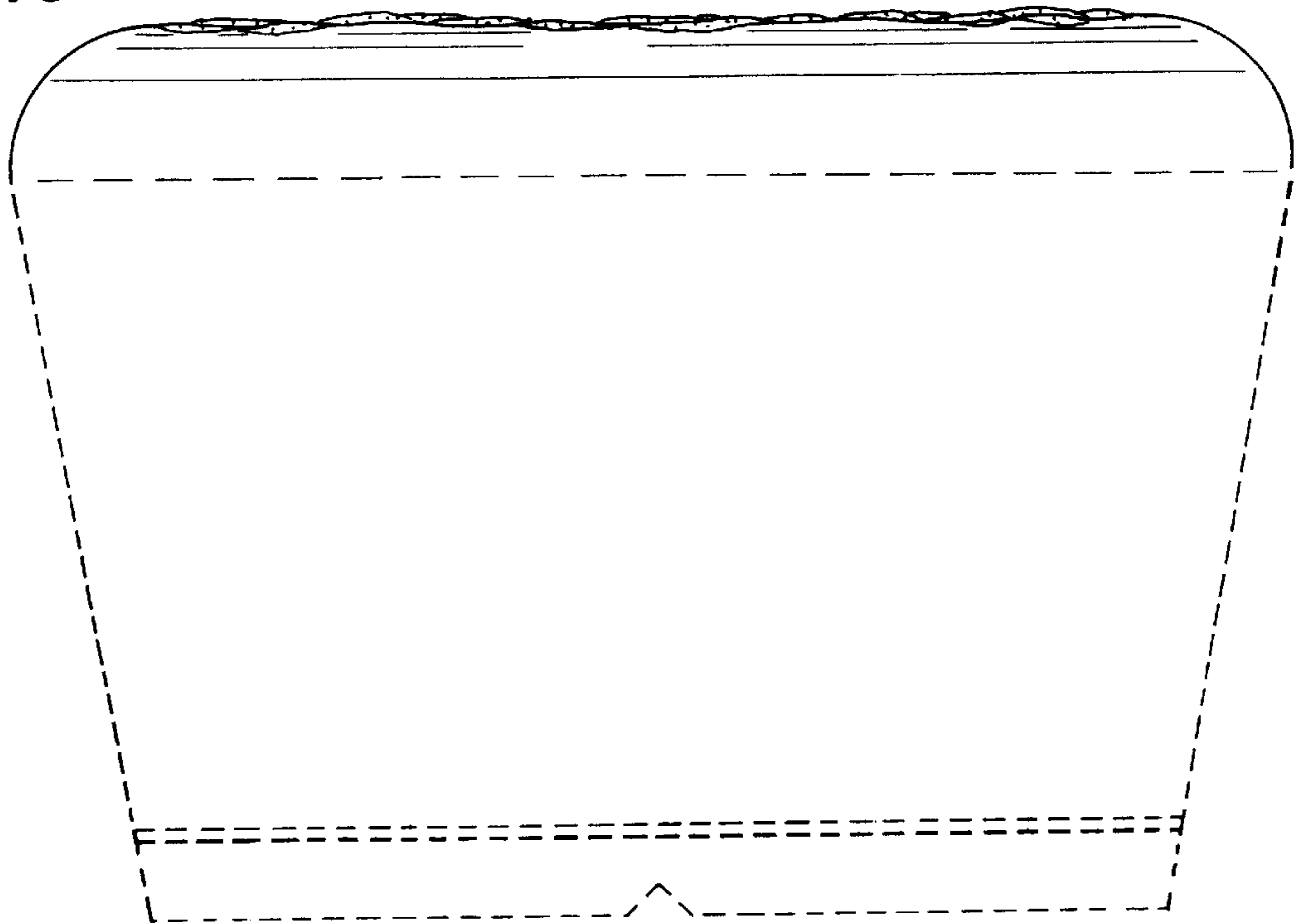


FIG. 4



FIG. 5

