



US00D437420S

(12) **United States Design Patent**
Barnhill, Jr. et al.

(10) **Patent No.:** **US D437,420 S**

(45) **Date of Patent:** **** Feb. 6, 2001**

(54) **VENDING KIOSK**

(75) Inventors: **Michael J. Barnhill, Jr.**, El Cajon;
James T. Barnhill, Alpine, both of CA
(US)

(73) Assignee: **Icon Enclosures, Inc.**, El Cajon, CA
(US)

(**) Term: **14 Years**

(21) Appl. No.: **29/109,828**

(22) Filed: **Aug. 23, 1999**

(51) **LOC (7) Cl.** **25-03**

(52) **U.S. Cl.** **D25/16**

(58) **Field of Search** D25/16; 52/36.1,
52/36.2

(56) **References Cited**

U.S. PATENT DOCUMENTS

D. 371,206	*	6/1996	Priestley et al.	D25/16
436,668		9/1890	Leonard .	
498,508		5/1893	Drummond .	
3,470,658		10/1969	Orliac .	
4,018,016		4/1977	Zale .	

4,471,586	9/1984	Shuch et al. .	
4,642,959	2/1987	Swiech, Jr. et al. .	
4,998,388	*	3/1991	Englehart 52/36.1
5,226,266	7/1993	Cernuto .	
5,363,608	11/1994	Conlan .	
5,509,225	4/1996	Minh et al. .	
5,526,615	6/1996	Kaizu et al. .	

* cited by examiner

Primary Examiner—Doris Clark

(74) *Attorney, Agent, or Firm*—Brown, Martin, Haller & McClain, LLP

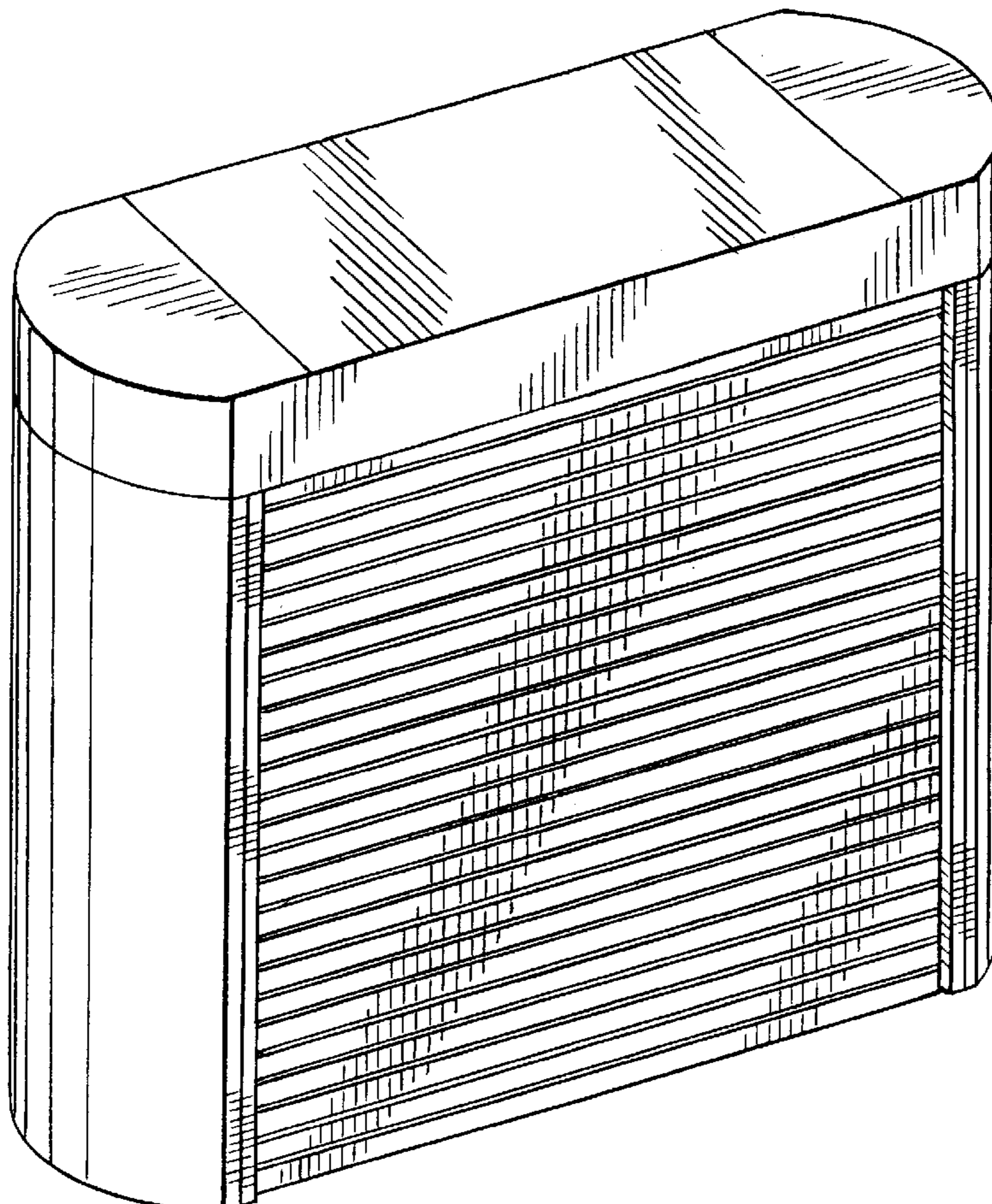
(57) **CLAIM**

The ornamental design for a vending kiosk, as shown and described.

DESCRIPTION

FIG. 1 is a left front perspective view of a vending kiosk, showing our new design;
FIG. 2 is a right rear perspective view thereof, the left rear view being a mirror image thereof;
FIG. 3 is a top plan view thereof; and,
FIG. 4 is an end elevational view thereof.

1 Claim, 2 Drawing Sheets



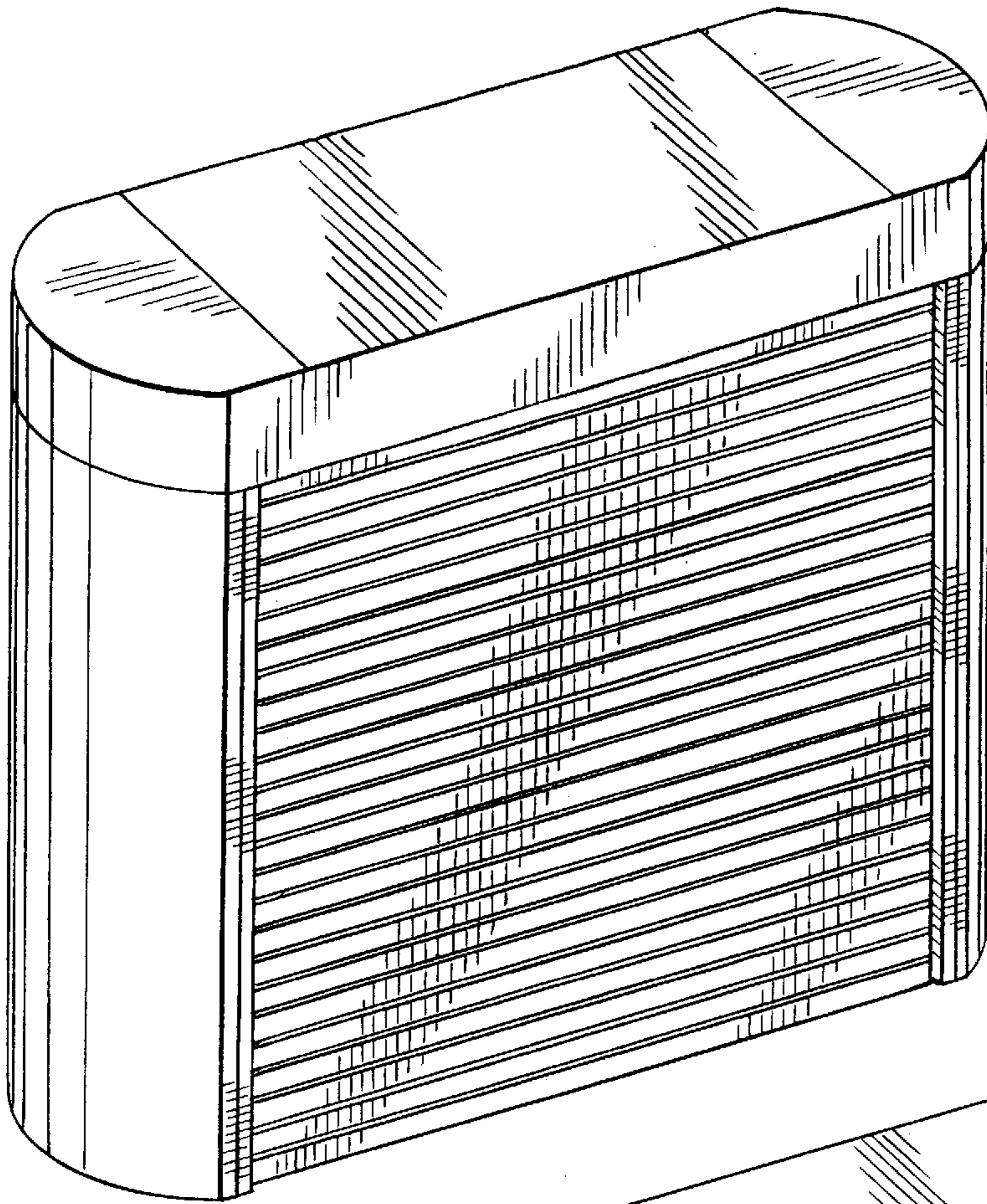


FIG. 1

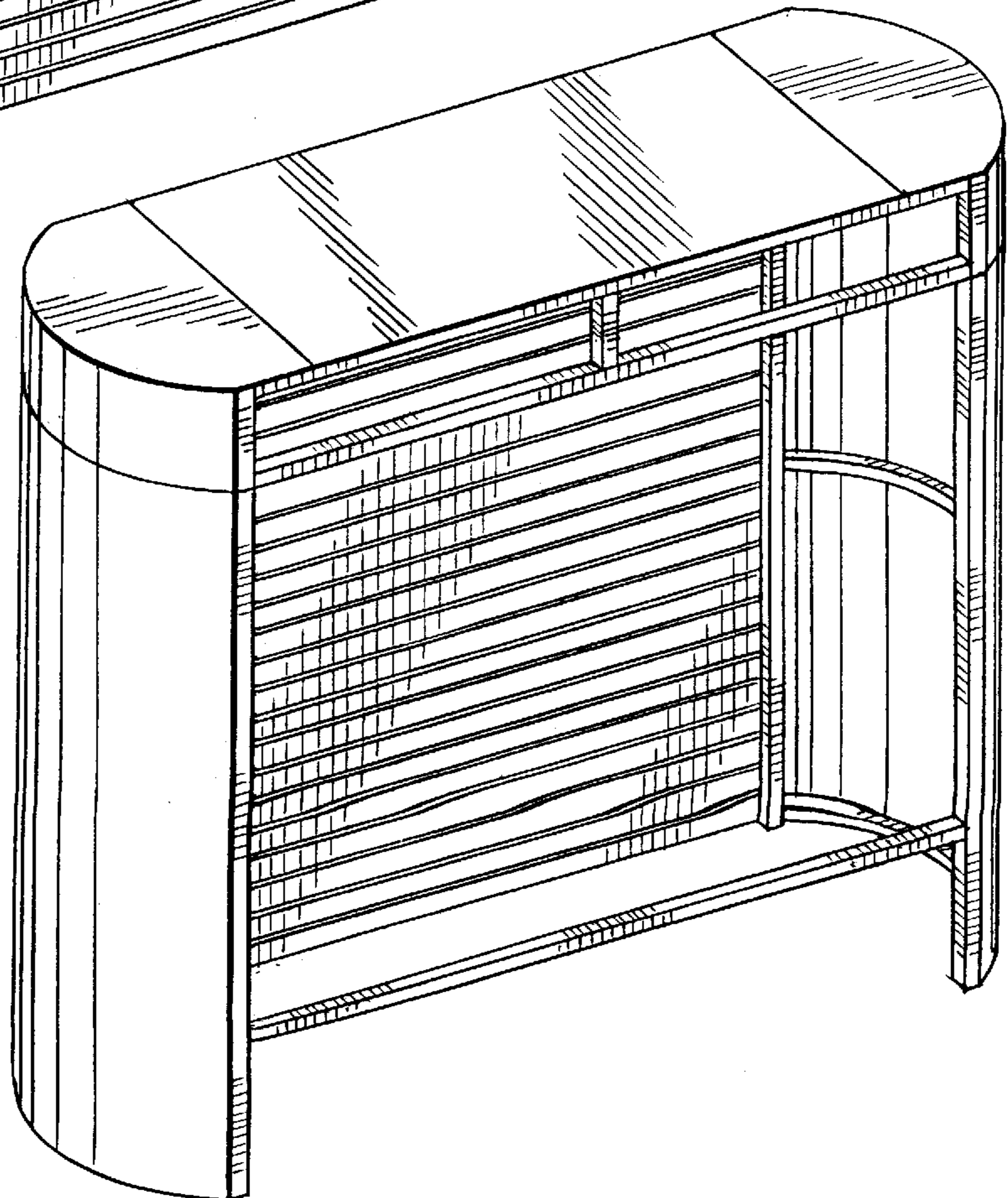


FIG. 2

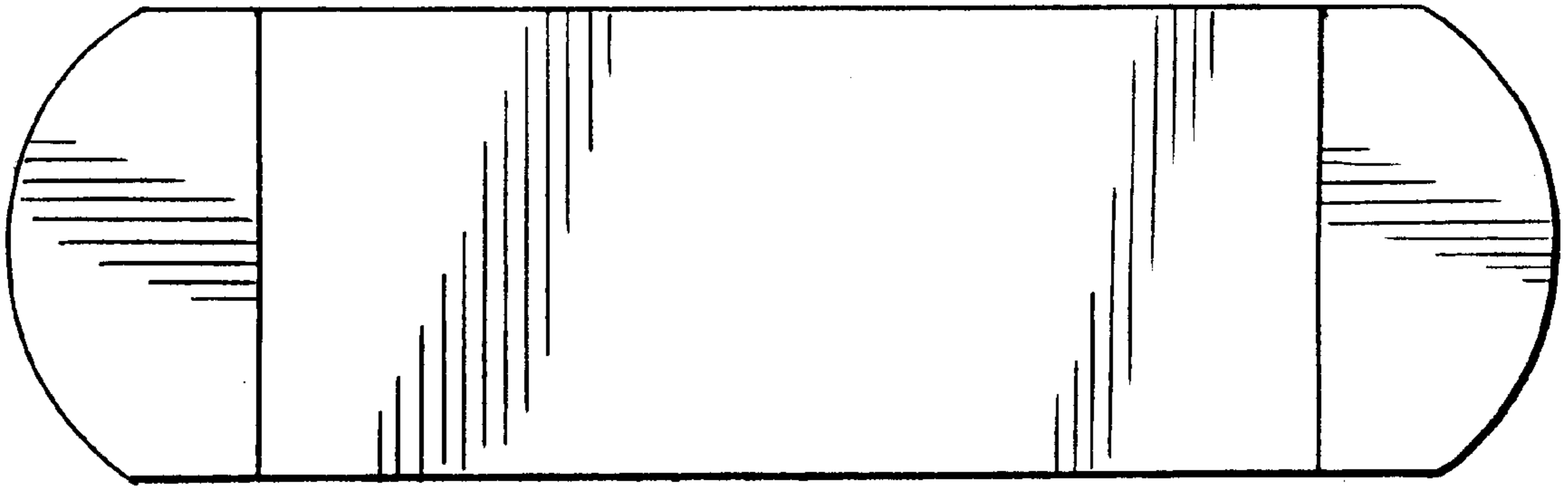


FIG. 3

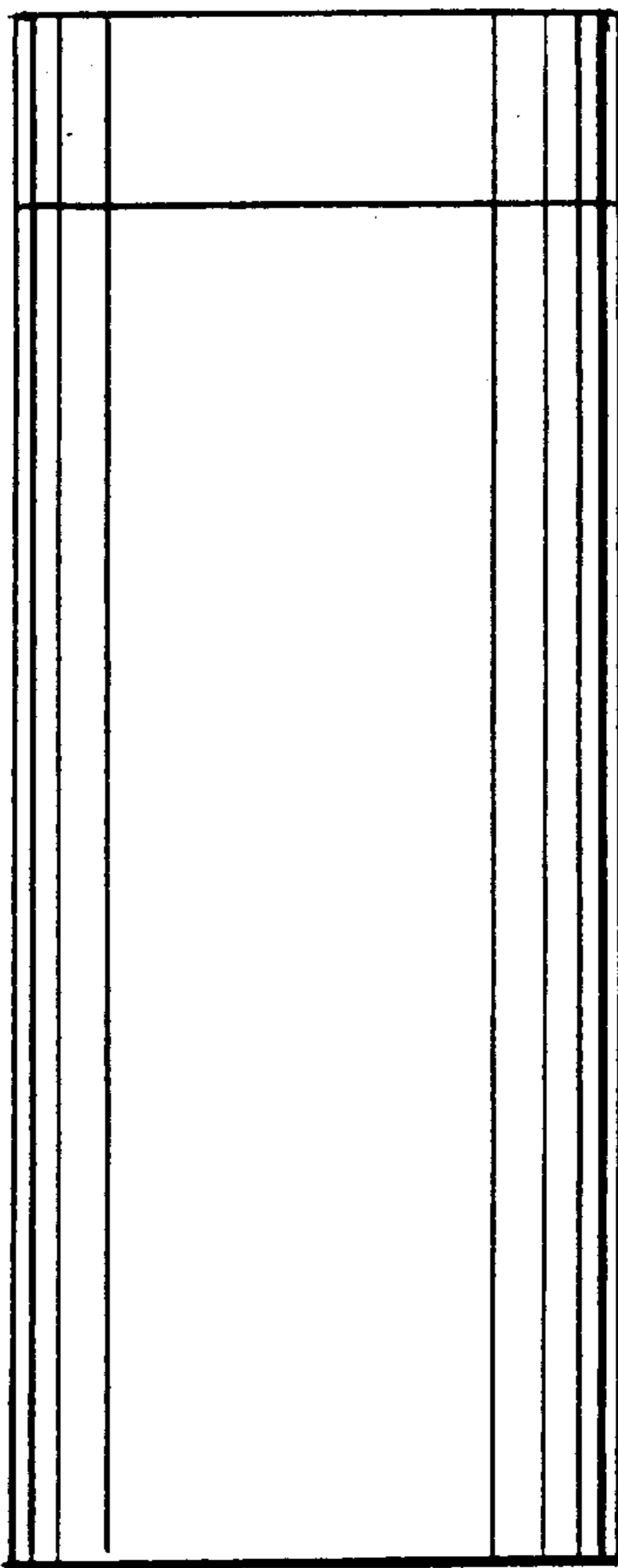


FIG. 4