



US00D437418S

(12) **United States Design Patent**
Suzuki et al.

(10) **Patent No.:** **US D437,418 S**

(45) **Date of Patent:** **** Feb. 6, 2001**

(54) **DESK CENTRIFUGE**

(75) Inventors: **Junichi Suzuki; Masanori Yoshioka,**
both of Mito (JP)

(73) Assignee: **Hitachi Koki Co., Ltd., Tokyo (JP)**

(**) Term: **14 Years**

(21) Appl. No.: **29/116,807**

(22) Filed: **Jan. 11, 2000**

(30) **Foreign Application Priority Data**

Jul. 16, 1999 (JP) 11-19250

(51) **LOC (7) Cl.** **24-01**

(52) **U.S. Cl.** **D24/219**

(58) **Field of Search** D24/219; 422/64,
422/72; 494/9, 8, 40, 64

(56) **References Cited**

U.S. PATENT DOCUMENTS

D. 126,851 * 4/1941 Goldstein D24/219

D. 303,147 * 8/1989 Ota D24/219
D. 329,902 * 9/1992 Kim D24/219
D. 335,930 * 5/1993 Tominaga D24/219
D. 343,904 * 2/1994 Silver et al. D24/219
D. 413,676 * 9/1999 Lippoldt D24/219

* cited by examiner

Primary Examiner—Ian Simmons

(74) *Attorney, Agent, or Firm*—McDermott, Will & Emery

(57) **CLAIM**

The ornamental design for a desk centrifuge, as shown.

DESCRIPTION

FIG. 1 is a front perspective view of the desk centrifuge;
FIG. 2 is a top view thereof;
FIG. 3 is a front view thereof;
FIG. 4 is a right side view thereof;
FIG. 5 is a left side view thereof;
FIG. 6 is a rear view thereof; and,
FIG. 7 is a bottom view thereof.

1 Claim, 4 Drawing Sheets

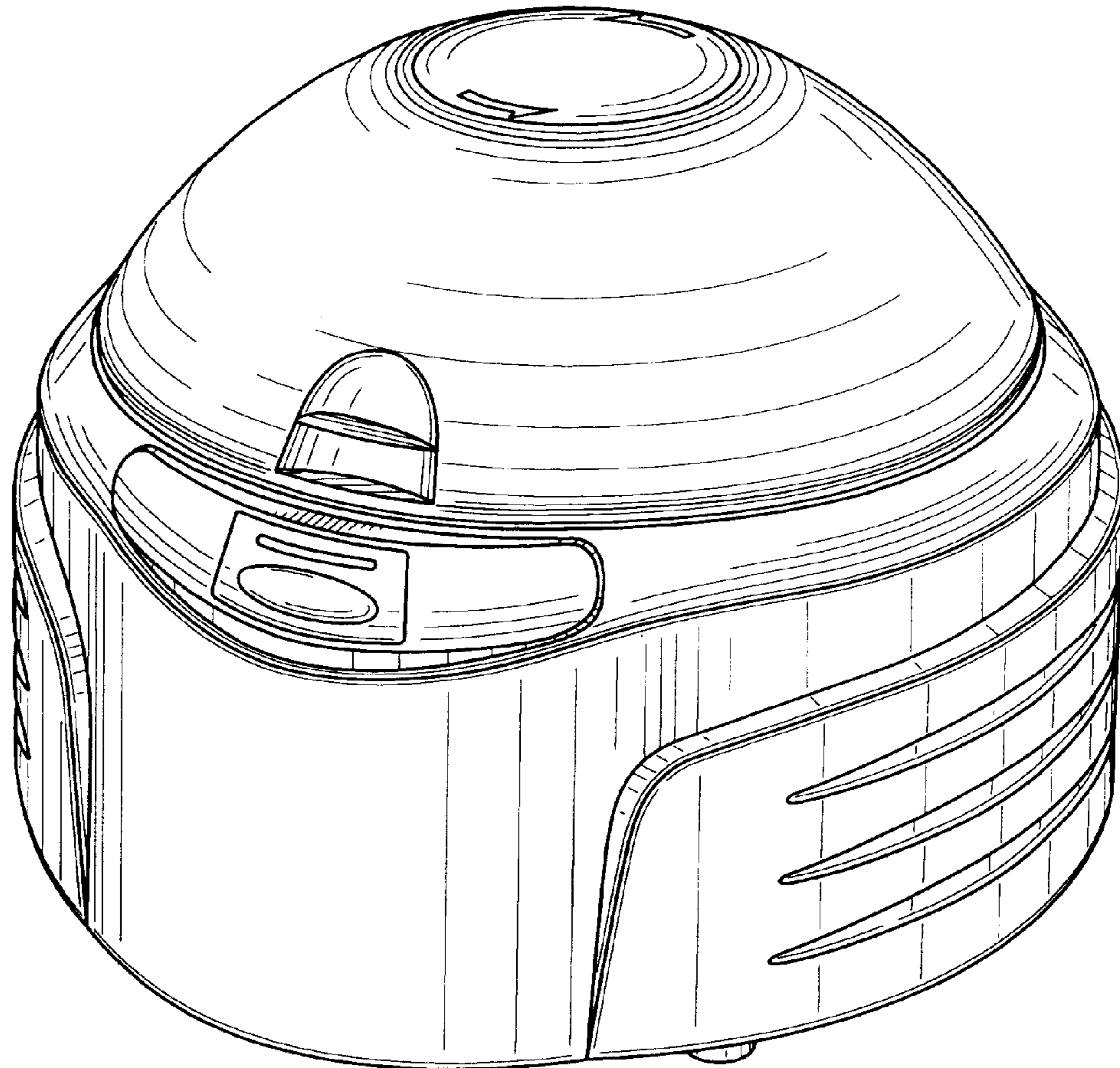


FIG. 1

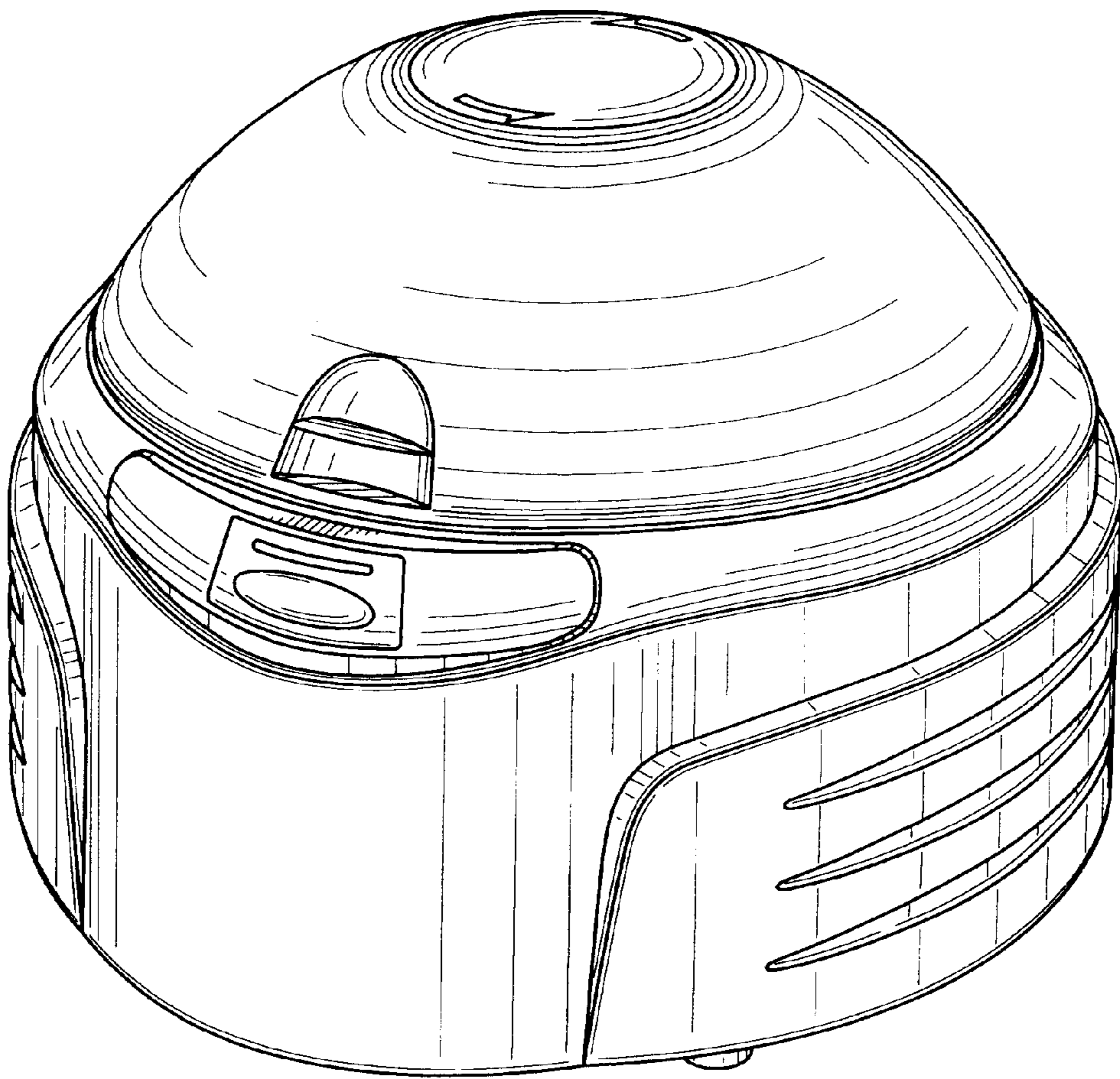


FIG. 2

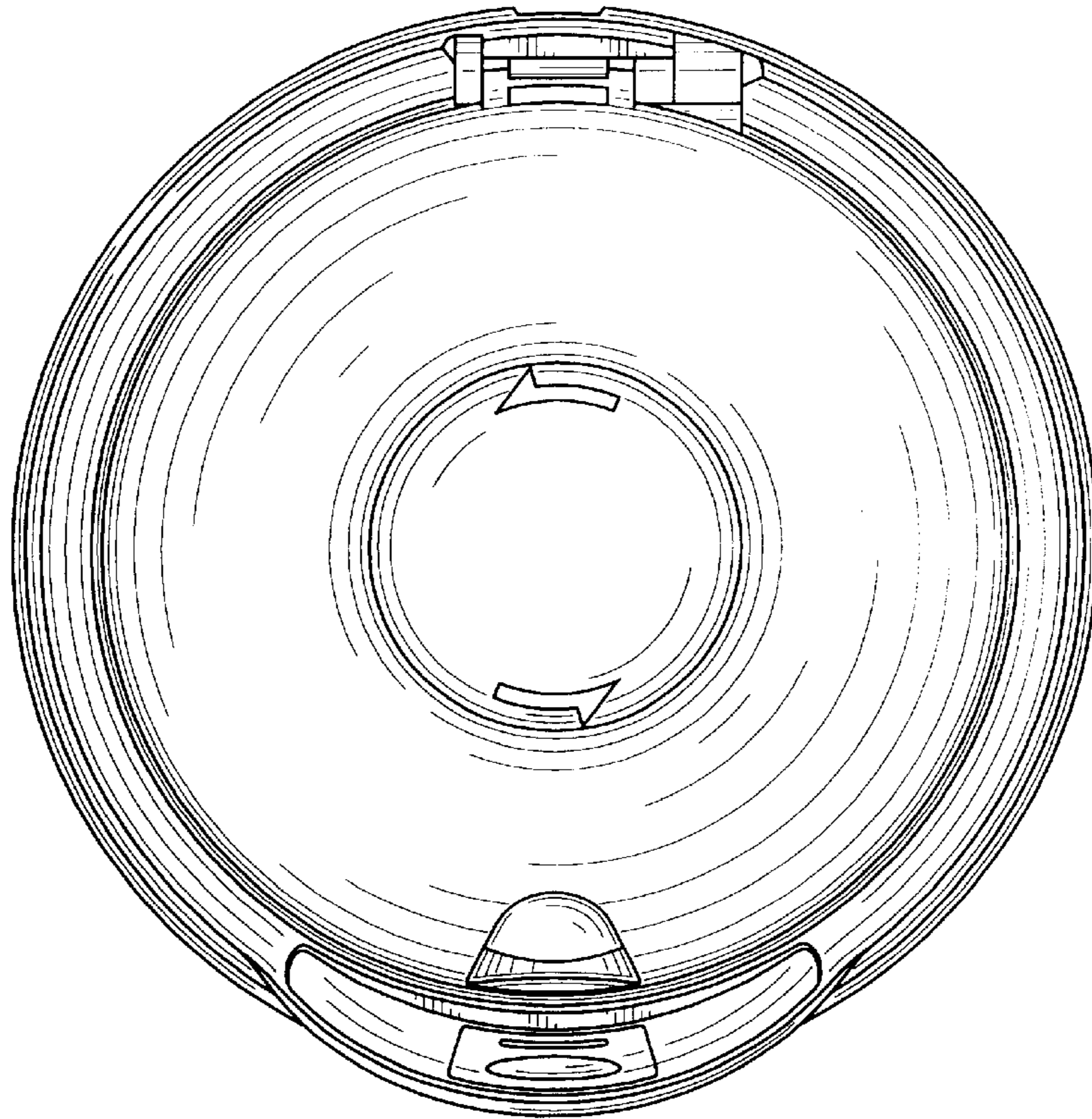


FIG. 3

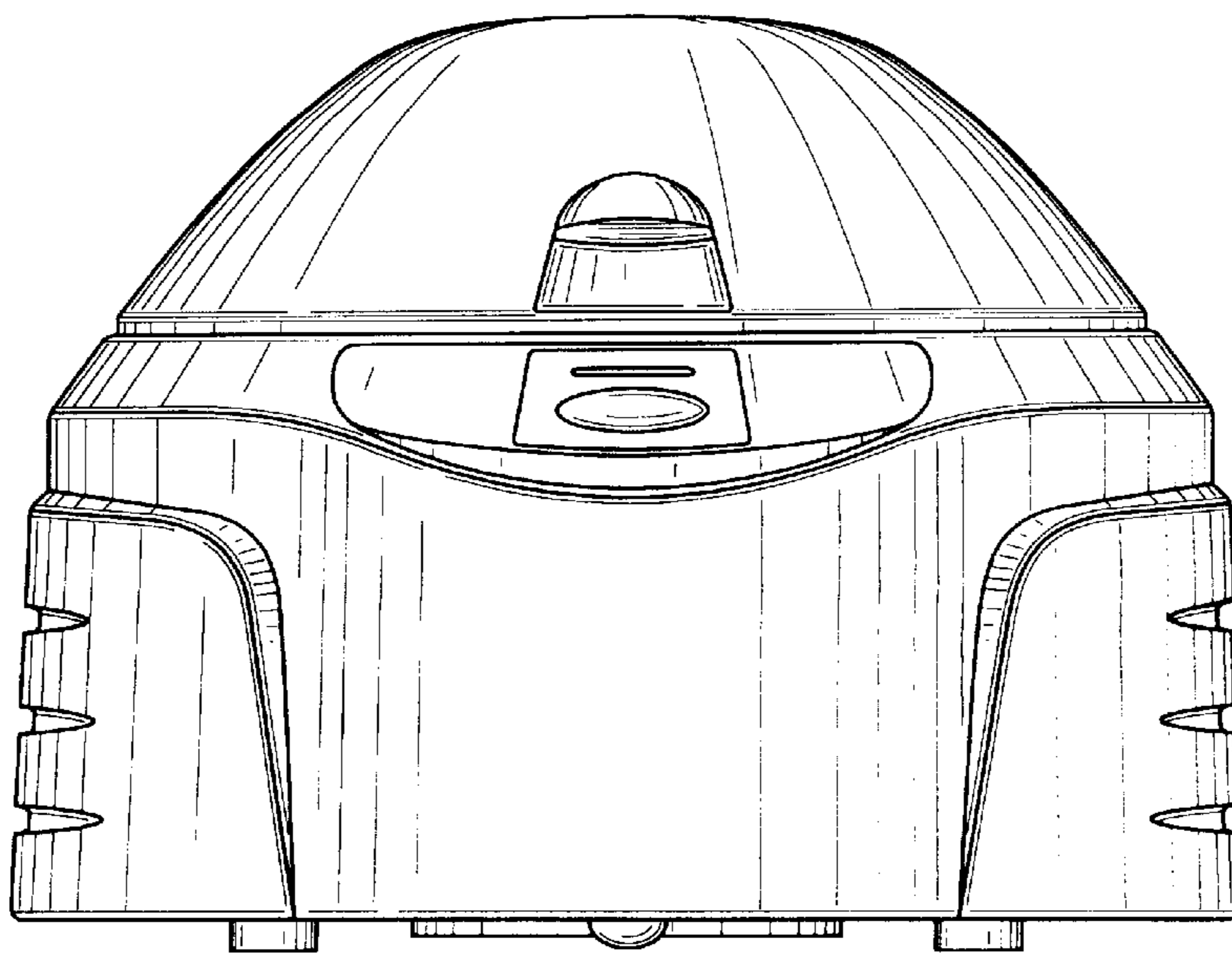


FIG. 4

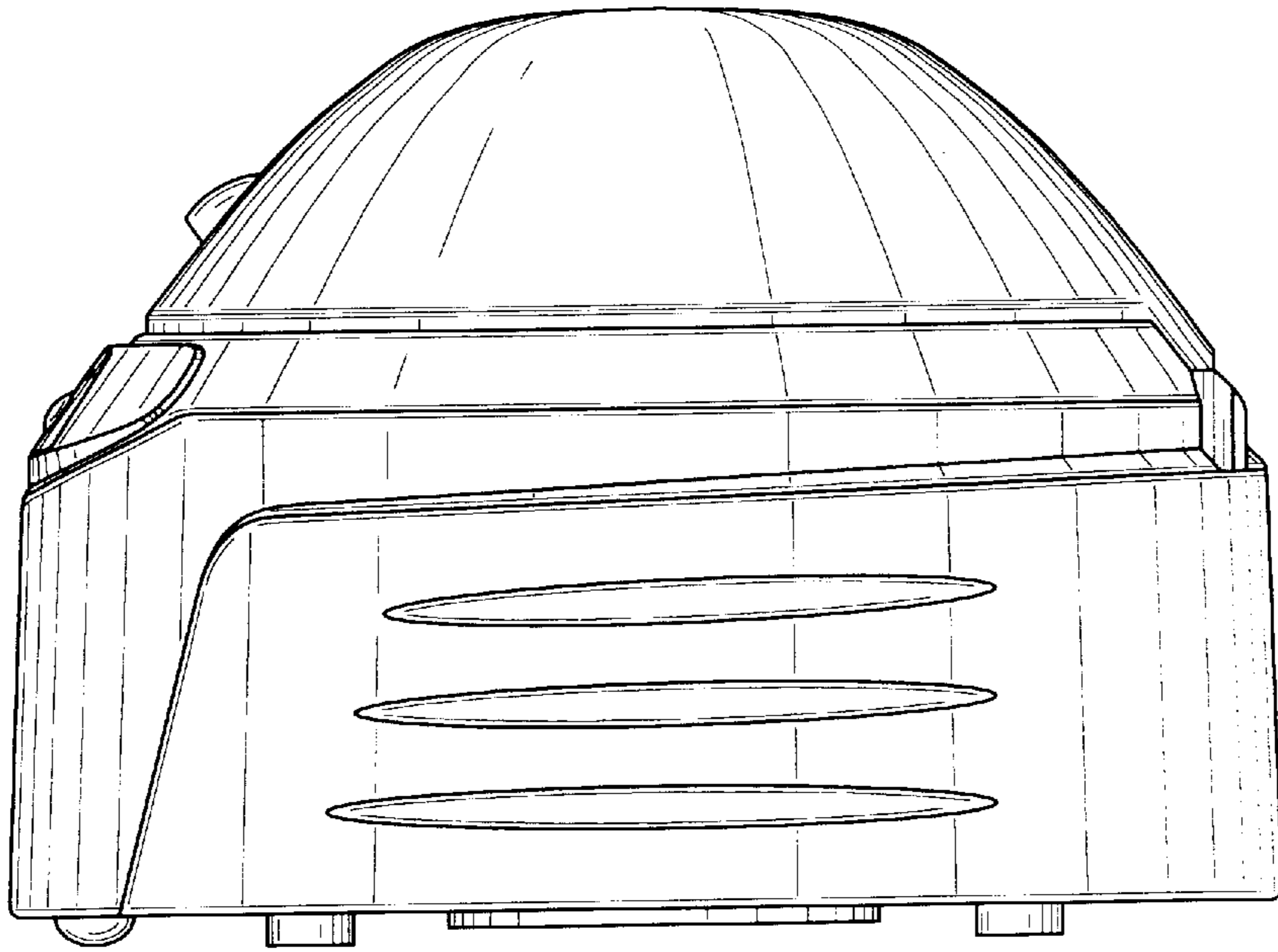


FIG. 5

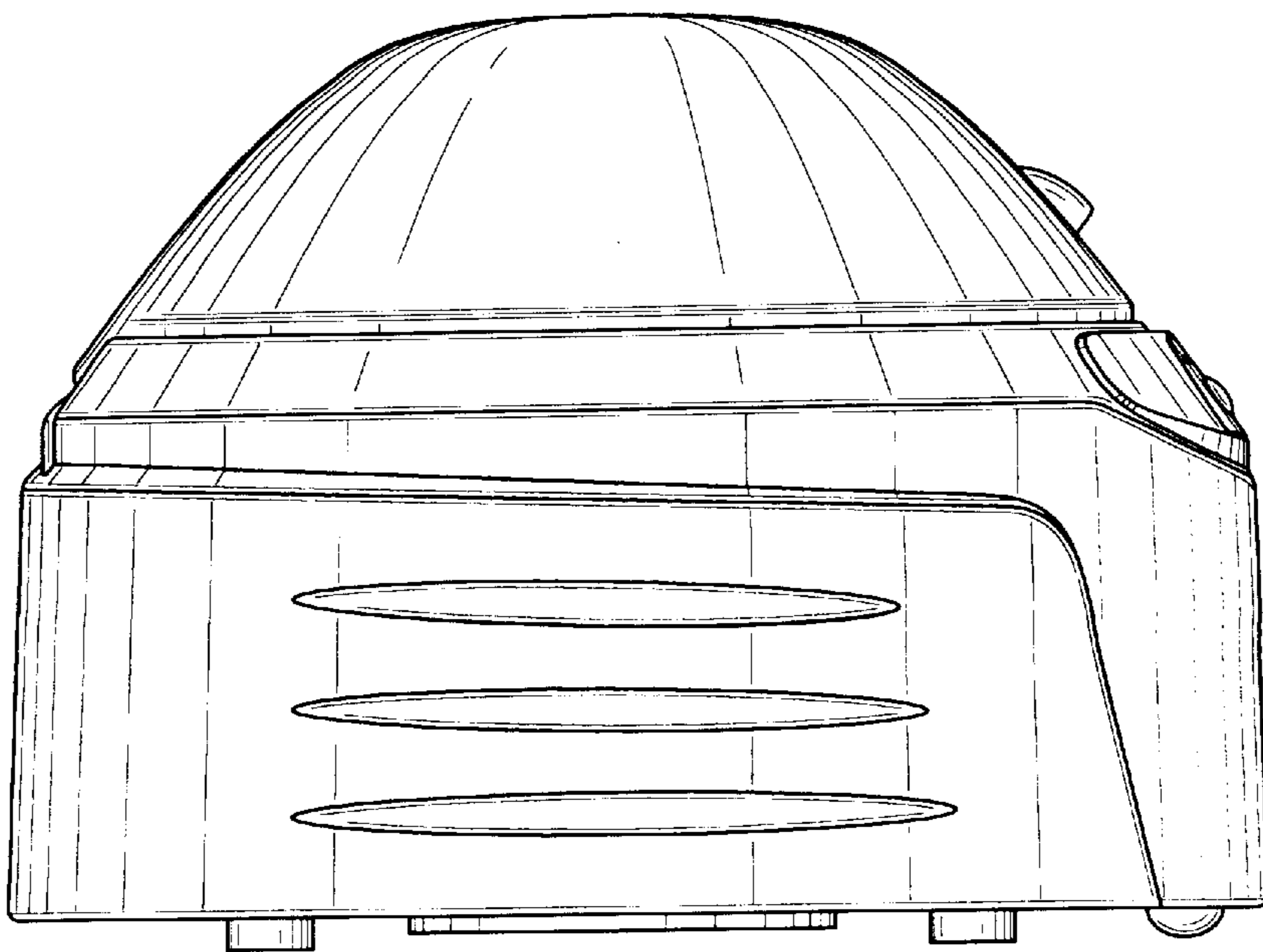


FIG. 6

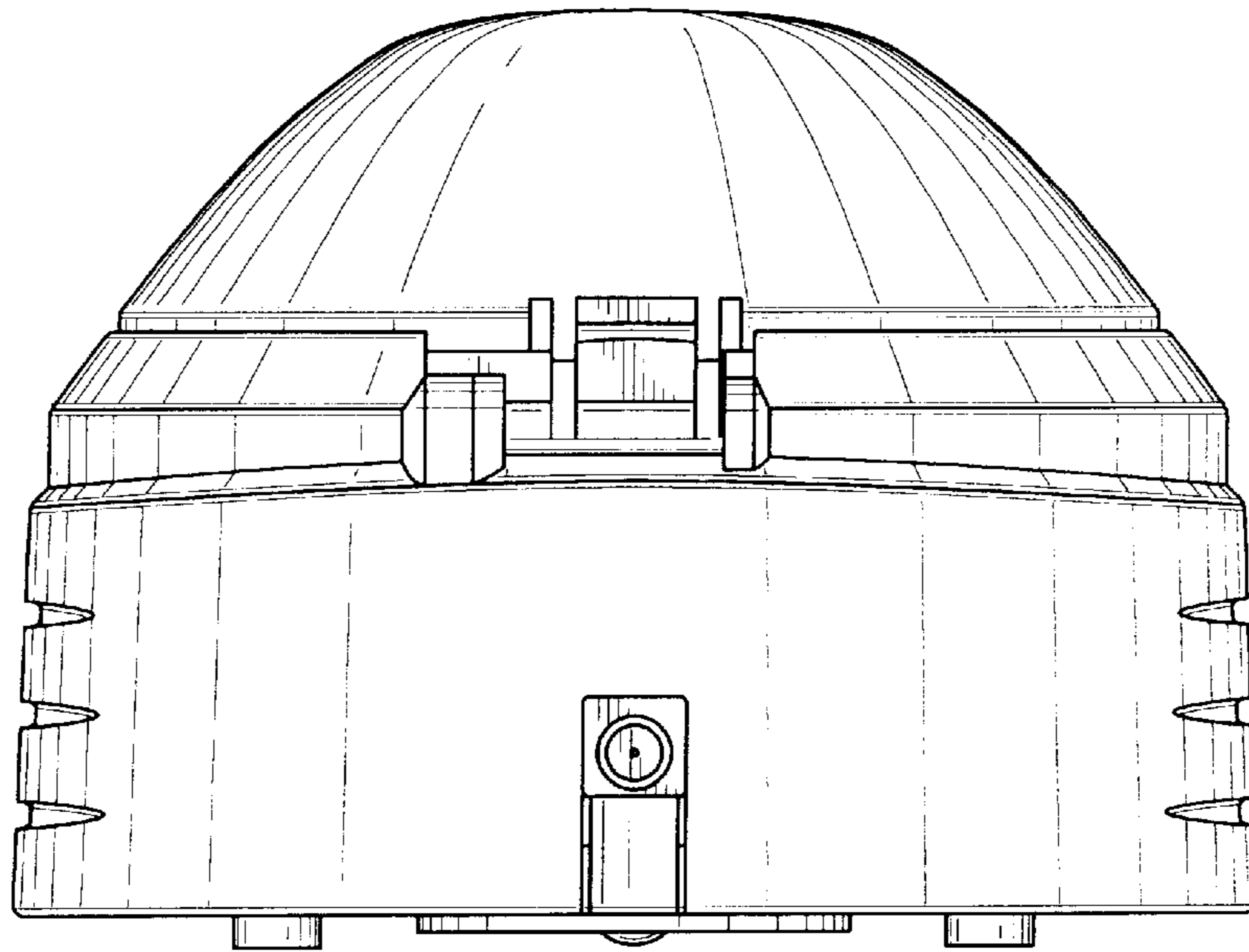


FIG. 7

